



US00D623954S

(12) **United States Design Patent**
Hawry et al.

(10) **Patent No.:** **US D623,954 S**

(45) **Date of Patent:** **** Sep. 21, 2010**

(54) **CONTAINER**

(75) Inventors: **Liam Hawry**, Chicago, IL (US); **Scott M. Jost**, Naperville, IL (US); **Ralph Guy Considine**, Libertyville, IL (US)

(73) Assignee: **Berlin Packaging, LLC**, Chicago, IL (US)

(**) Term: **14 Years**

(21) Appl. No.: **29/344,061**

(22) Filed: **Sep. 23, 2009**

(51) **LOC (9) Cl.** **09-01**

(52) **U.S. Cl.** **D9/522; D9/543**

(58) **Field of Classification Search** D9/516,
D9/520, 522, 530, 531, 532, 543, 559, 560,
D9/575; 215/379, 381-385

See application file for complete search history.

(56) **References Cited**

U.S. PATENT DOCUMENTS

D389,067 S *	1/1998	Lown	D9/543
D462,012 S *	8/2002	Manderfield, Jr.	D9/530
D480,312 S *	10/2003	Mungur et al.	D9/537
D480,974 S *	10/2003	Blank	D9/543
D483,269 S *	12/2003	Walsh et al.	D9/522
D497,311 S *	10/2004	Walsh et al.	D9/522
D500,679 S *	1/2005	Walsh et al.	D9/522
D501,795 S *	2/2005	Walsh et al.	D9/522
D504,823 S *	5/2005	Nottingham et al.	D9/528
D506,393 S *	6/2005	Nottingham et al.	D9/528

D507,184 S *	7/2005	Beaver et al.	D9/530
D511,100 S *	11/2005	Nottingham et al.	D9/528
D541,662 S *	5/2007	Little et	D9/543
D573,475 S *	7/2008	Nottingham et al.	D9/531
D586,222 S *	2/2009	Little et al.	D9/531
D586,223 S *	2/2009	Little et al.	D9/531
D588,008 S *	3/2009	Flanagan-Kent et al.	D9/531
D591,600 S *	5/2009	Dorn et al.	D9/531

* cited by examiner

Primary Examiner—Stella M Reid

Assistant Examiner—Elizabeth J Oswecki

(74) *Attorney, Agent, or Firm*—Adam K. Sacharoff; Much Shelist

(57) **CLAIM**

The ornamental design for a container, as shown and described.

DESCRIPTION

FIG. 1 is a top, perspective view of a container showing our new design;

FIG. 2 is a front view of FIG. 1;

FIG. 3 is a back view of FIG. 1;

FIG. 4 is a left side view of FIG. 1;

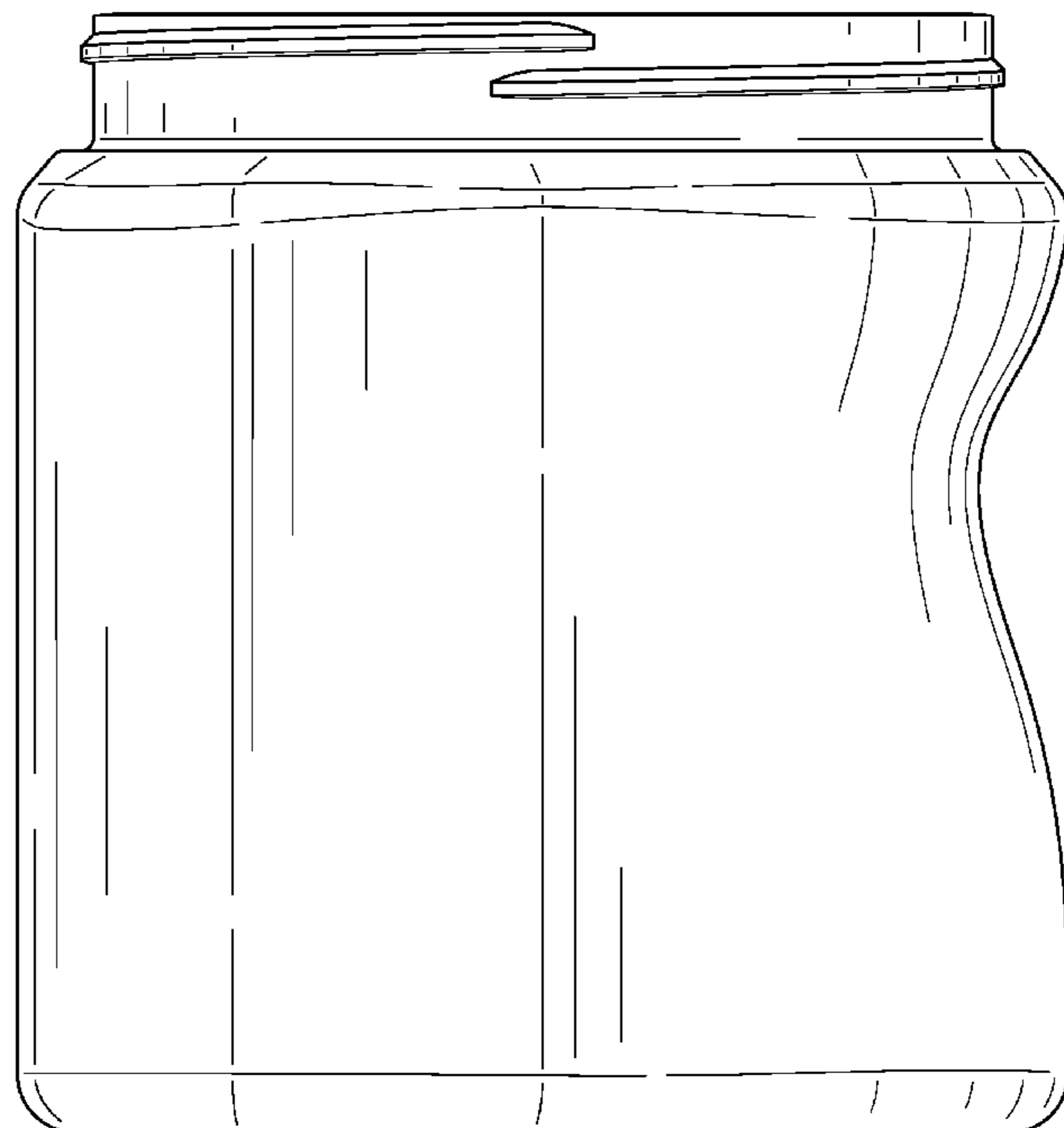
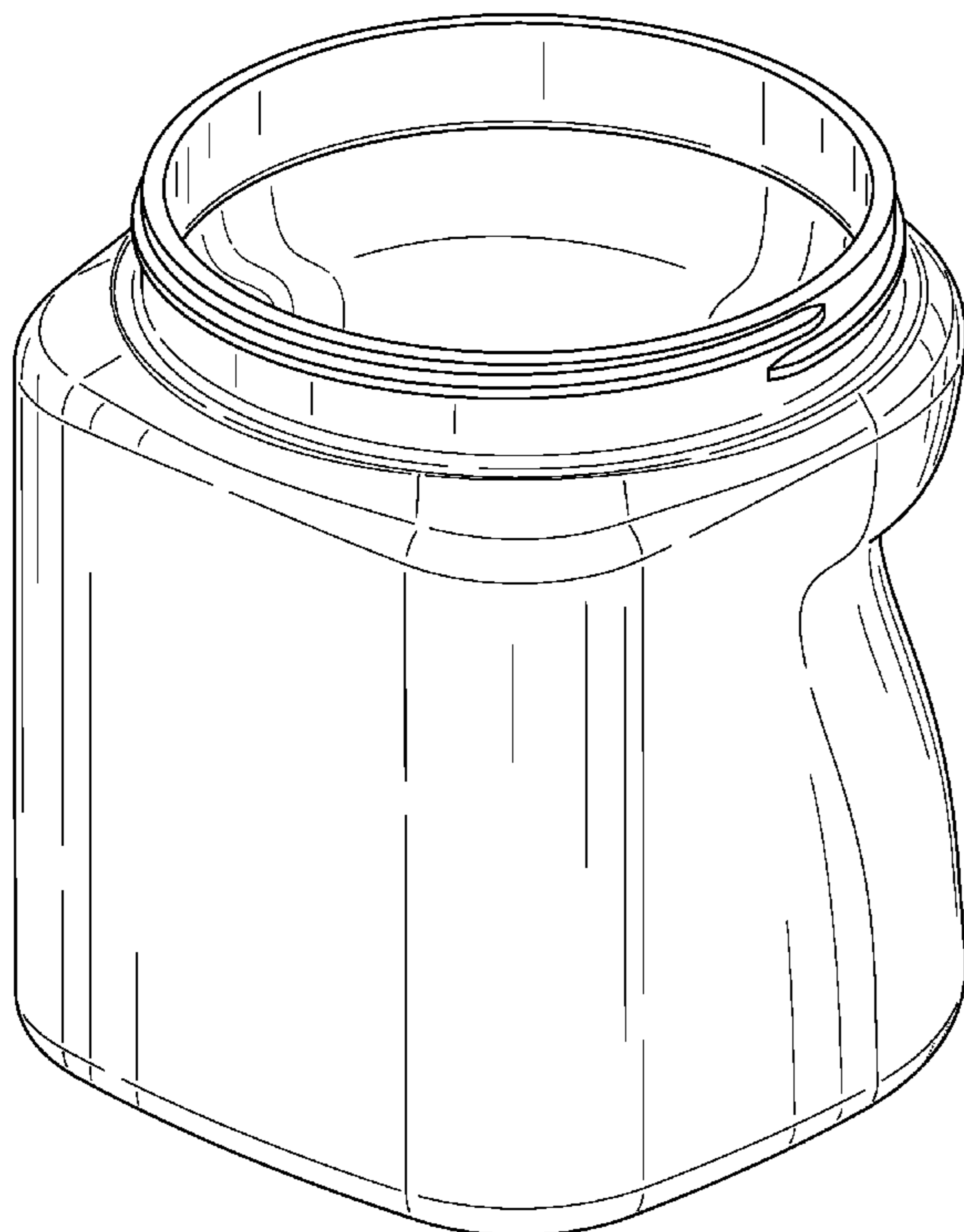
FIG. 5 is a right side view of FIG. 1;

FIG. 6 is a top view of FIG. 1;

FIG. 7 is a bottom view of FIG. 1; and,

FIG. 8 is a bottom perspective view of FIG. 1.

1 Claim, 8 Drawing Sheets



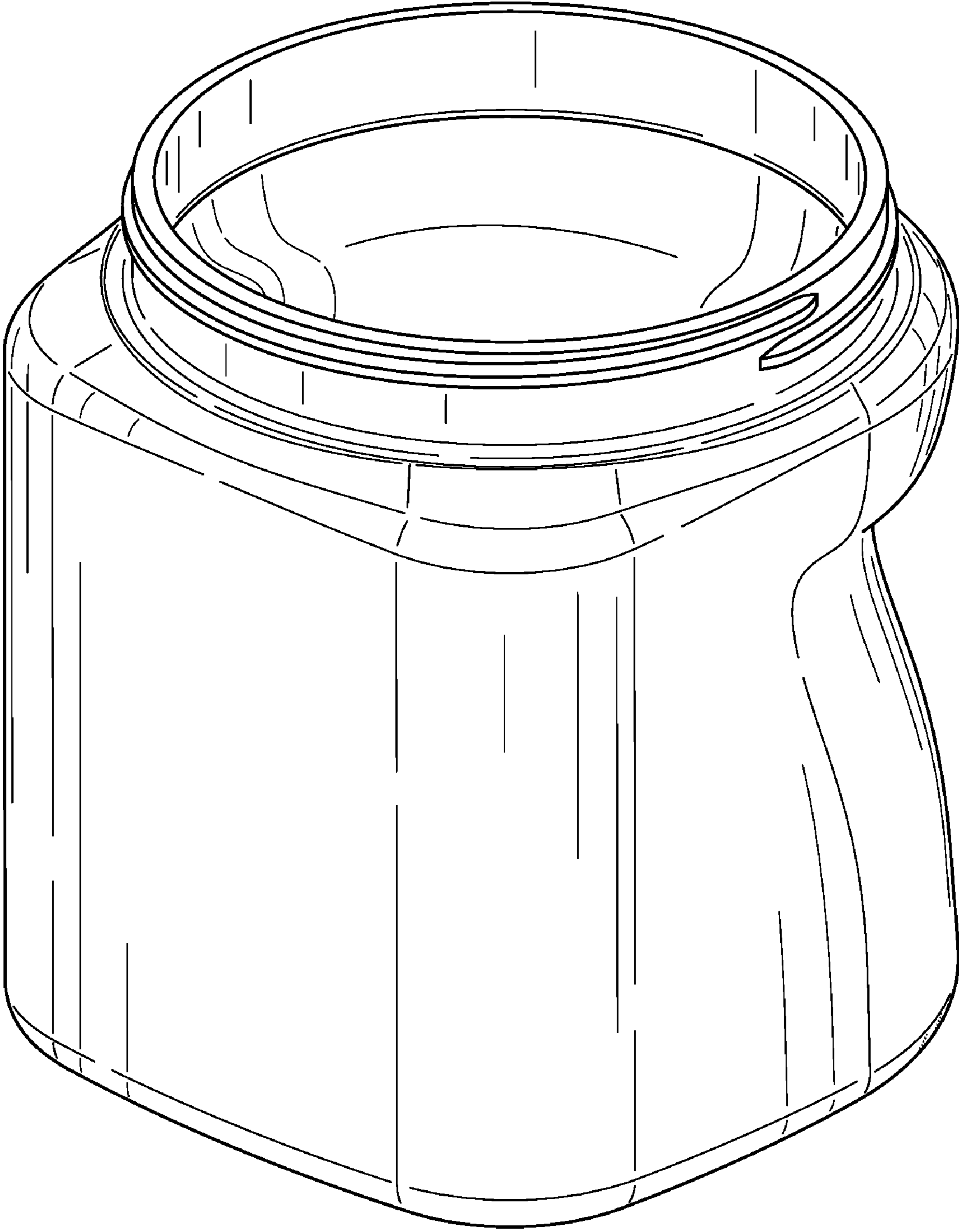


FIG. 1

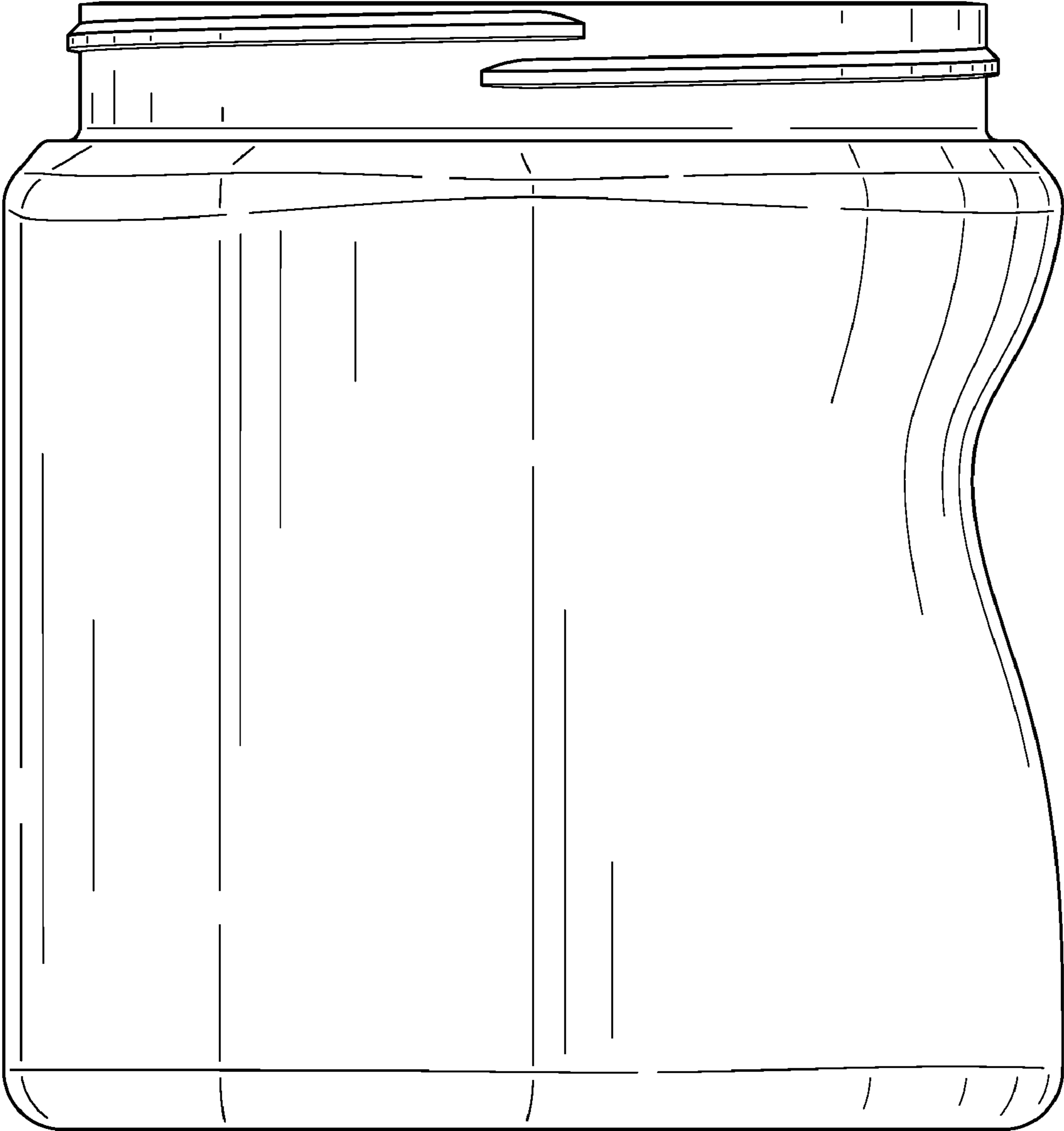


FIG. 2

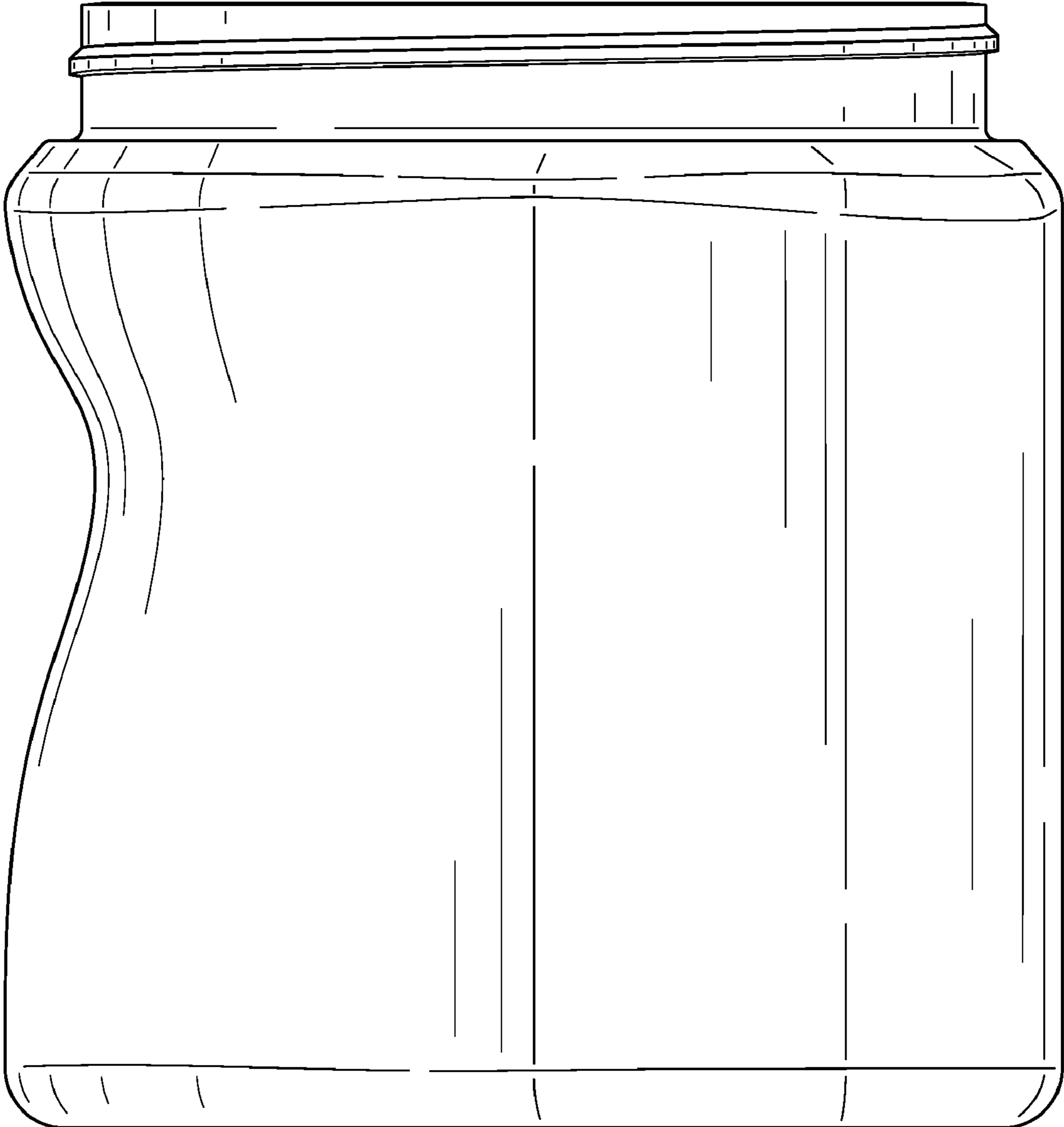


FIG. 3

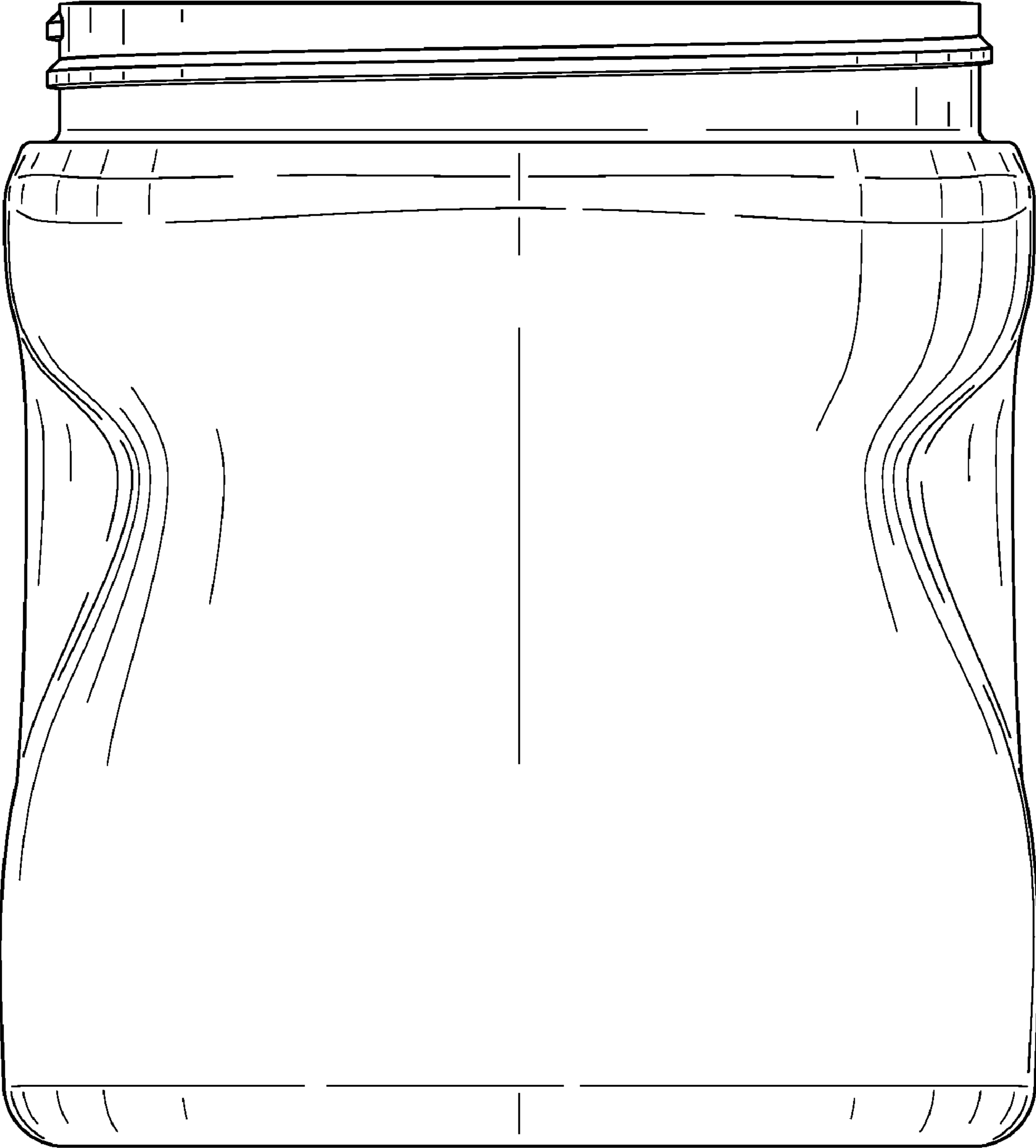


FIG. 4

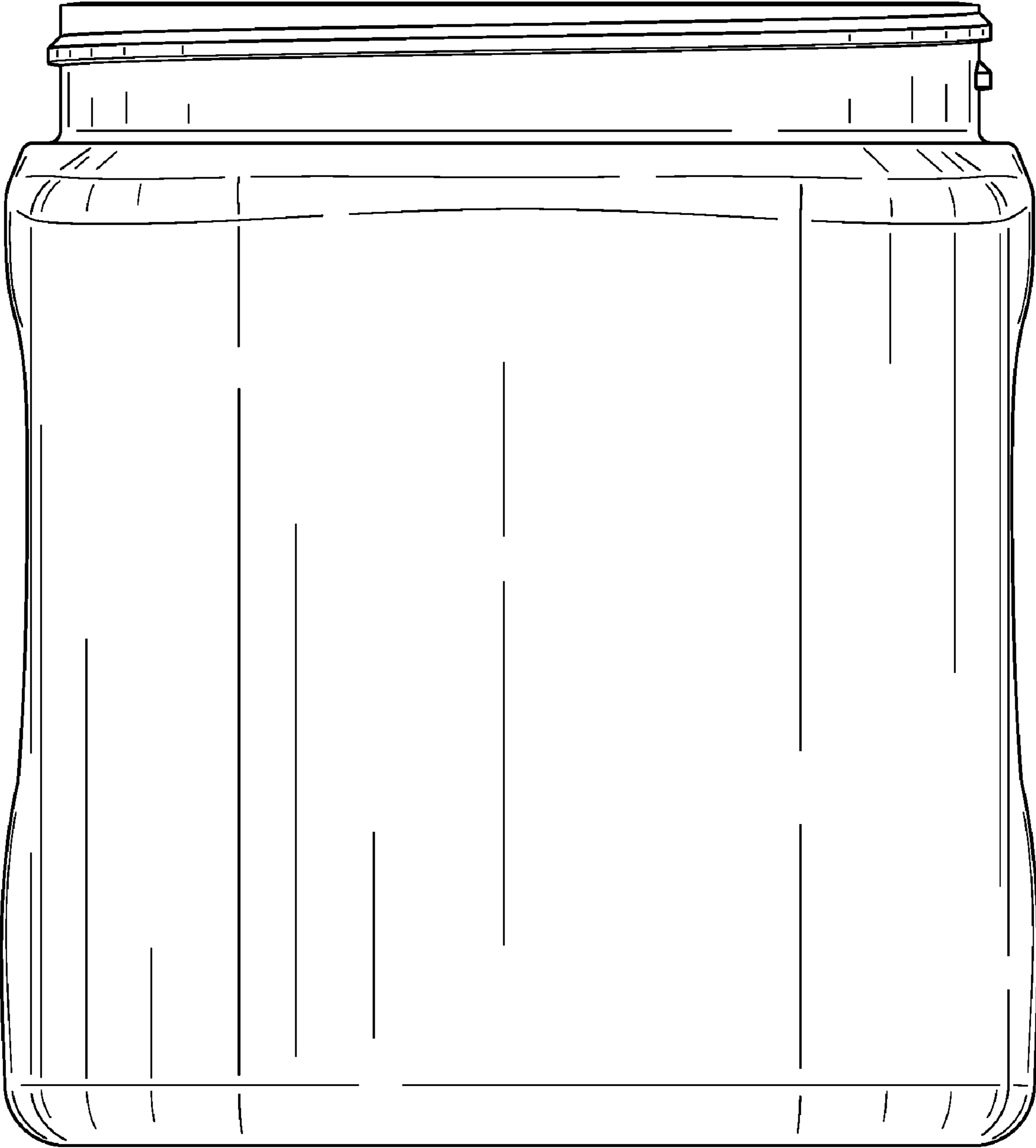


FIG. 5

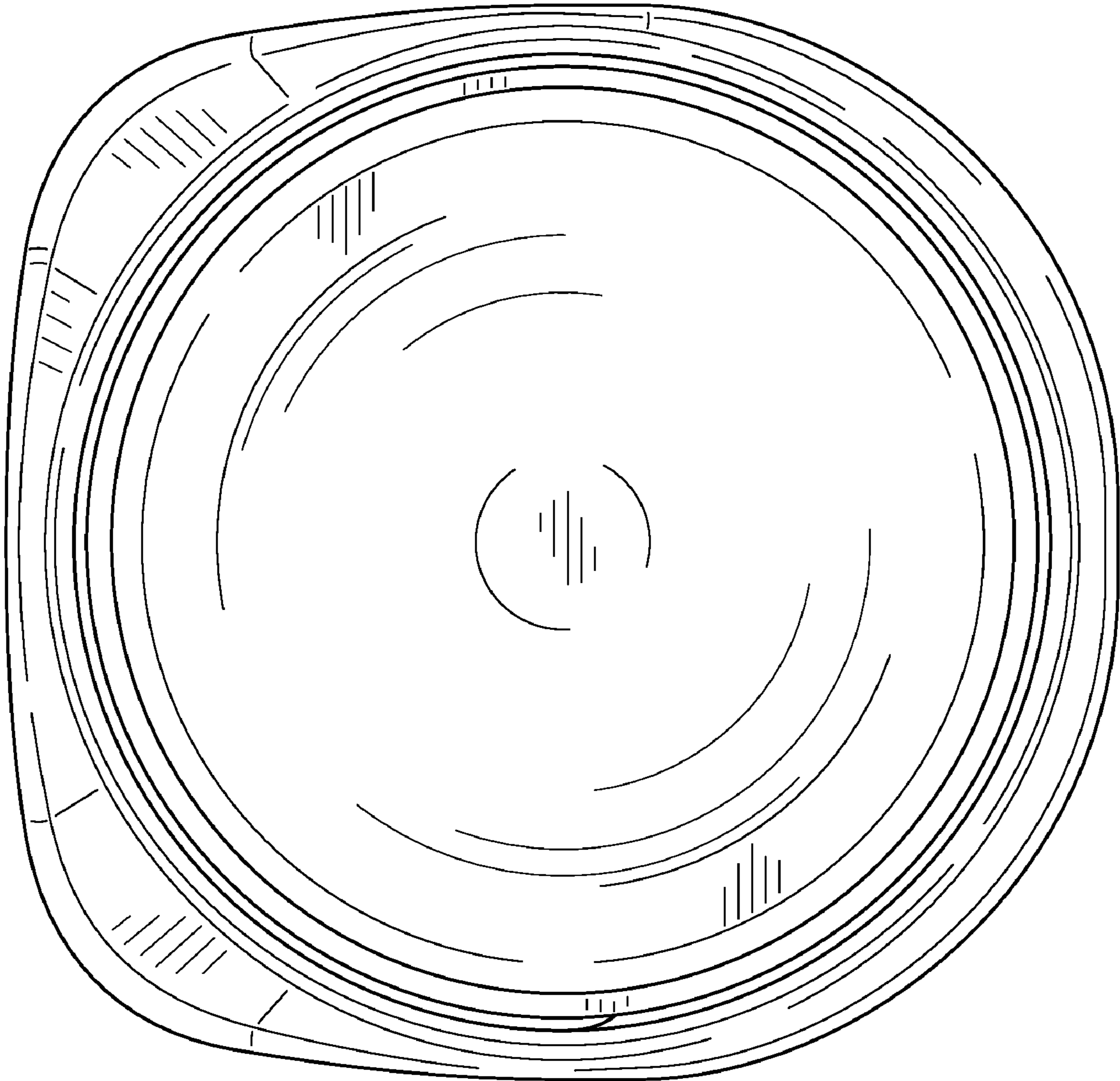


FIG. 6

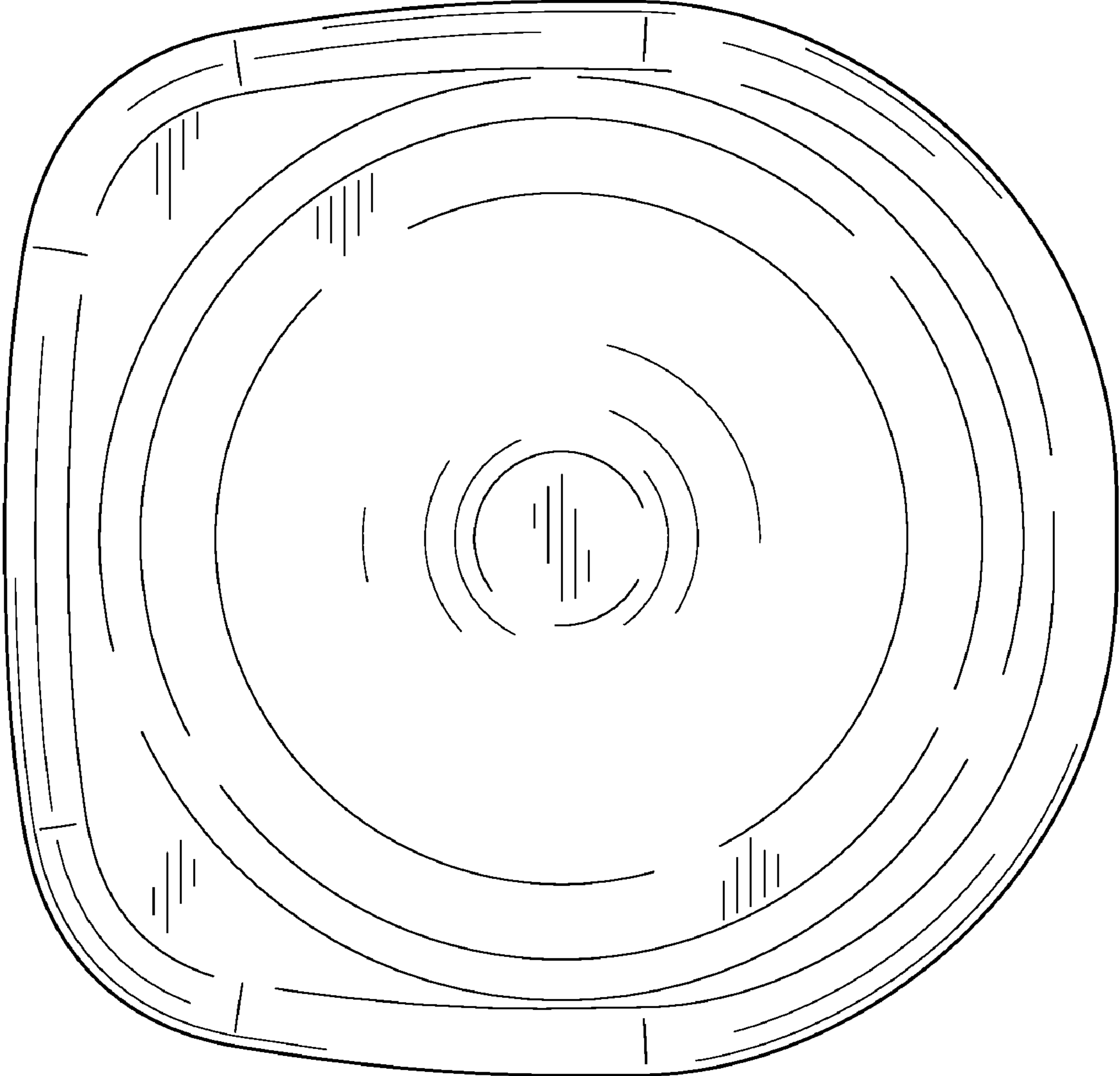


FIG. 7

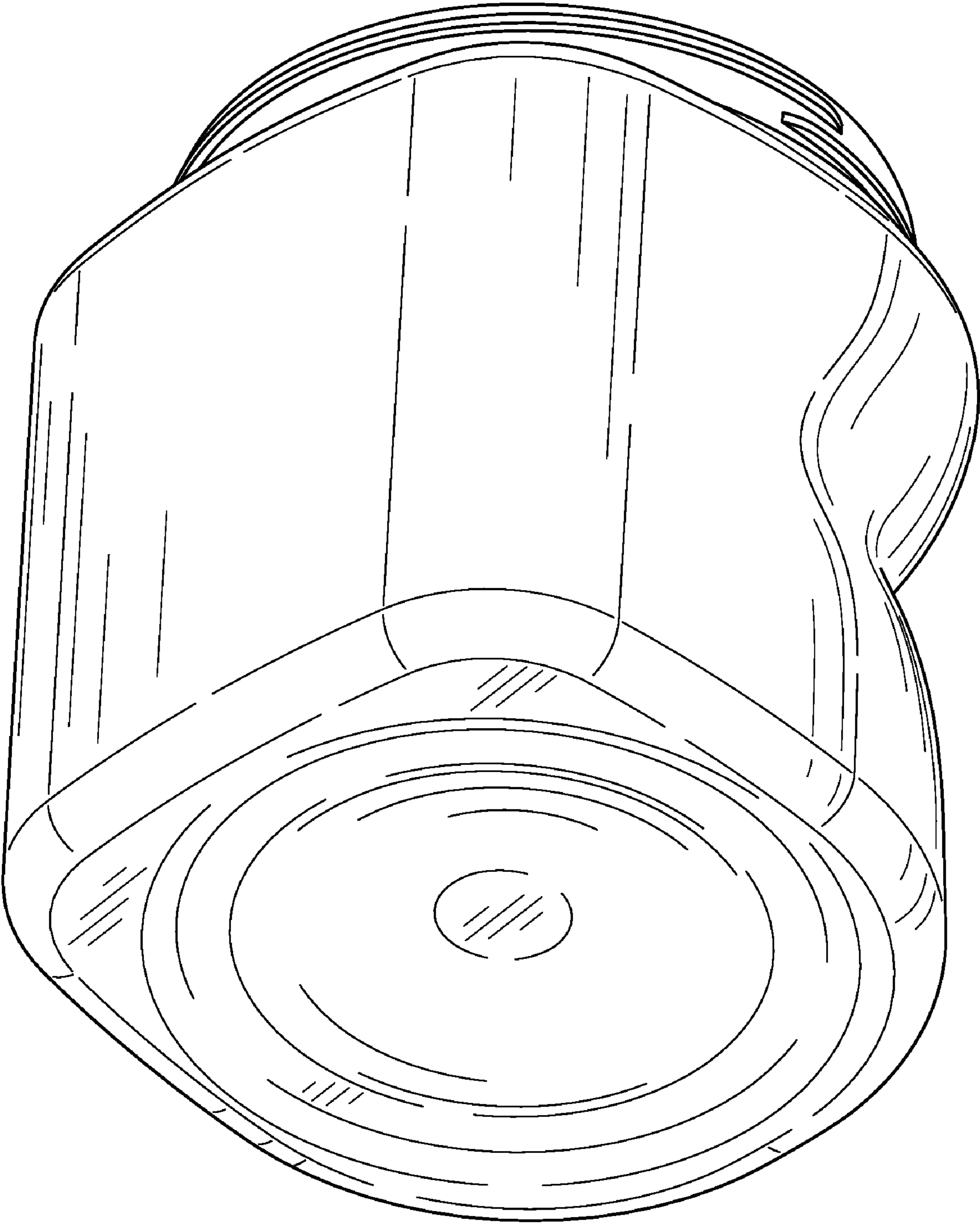


FIG. 8