



US00D623946S

(12) **United States Design Patent**  
**Levy**

(10) **Patent No.:** **US D623,946 S**

(45) **Date of Patent:** **\*\* Sep. 21, 2010**

(54) **TRI-FOLD DRUG CARD**

(75) Inventor: **Gordon Levy**, Denver, CO (US)

(73) Assignee: **Navajo Manufacturing Company, Inc.**,  
Denver, CO (US)

(\*\*) Term: **14 Years**

(21) Appl. No.: **29/347,088**

(22) Filed: **Sep. 18, 2009**

(51) **LOC (9) Cl.** ..... **09-03**

(52) **U.S. Cl.** ..... **D9/457; D9/415**

(58) **Field of Classification Search** ..... D9/732,  
D9/624, 500, 457, 456, 455, 446, 435, 434,  
D9/433, 432, 418, 415, 414, 416, 420, 422,  
D9/423; D20/42, 40, 28, 27, 22; 40/310;  
283/62; 229/149; 206/728, 704, 703, 538,  
206/534, 457, 278

See application file for complete search history.

(56) **References Cited**

**U.S. PATENT DOCUMENTS**

|           |      |         |                    |         |
|-----------|------|---------|--------------------|---------|
| 2,790,587 | A    | 4/1957  | Contant            |         |
| 3,990,578 | A    | 11/1976 | Roeser             | 206/461 |
| 4,189,053 | A *  | 2/1980  | Stagnitto et al.   | 206/570 |
| 4,506,789 | A *  | 3/1985  | Dlugosz            | 206/532 |
| 4,953,700 | A    | 9/1990  | DeDino             | 206/333 |
| 5,242,055 | A    | 9/1993  | Pora               | 206/532 |
| 5,613,349 | A    | 3/1997  | Brown              | 53/453  |
| D385,782  | S *  | 11/1997 | Harries            | D9/415  |
| 5,803,499 | A *  | 9/1998  | Tung et al.        | 283/56  |
| 6,053,325 | A    | 4/2000  | Yonker et al.      | 206/736 |
| D454,783  | S    | 3/2002  | Pirro et al.       | D9/415  |
| D455,345  | S *  | 4/2002  | Assargren et al.   | D9/732  |
| 6,375,225 | B1   | 4/2002  | Lapsker            | 283/56  |
| 6,382,412 | B1 * | 5/2002  | Wood               | 206/232 |
| 6,439,613 | B2 * | 8/2002  | Klure              | 283/62  |
| 6,615,986 | B2   | 9/2003  | Pirro et al.       | 206/704 |
| 6,669,236 | B1   | 12/2003 | Höllwarth-Oberholz | 283/81  |
| 6,715,795 | B2 * | 4/2004  | Klure              | 283/62  |
| 6,978,894 | B2   | 12/2005 | Mundt              | 206/534 |

|              |      |         |                   |           |
|--------------|------|---------|-------------------|-----------|
| 7,128,222    | B2   | 10/2006 | Doucette          | 211/85.4  |
| D541,647     | S *  | 5/2007  | Ashby et al.      | D9/415    |
| D543,102     | S *  | 5/2007  | Ashby et al.      | D9/415    |
| D555,511     | S *  | 11/2007 | Warmka et al.     | D9/722    |
| 7,360,652    | B2 * | 4/2008  | Arnold            | 206/538   |
| D572,132     | S *  | 7/2008  | Rozanski          | D9/457    |
| D599,409     | S *  | 9/2009  | Kan               | D20/27    |
| 7,621,405    | B2 * | 11/2009 | Schweitzer et al. | 206/703   |
| 2003/0205489 | A1 * | 11/2003 | Shumake et al.    | 206/224   |
| 2004/0045859 | A1   | 3/2004  | Favale            | 206/471   |
| 2005/0056564 | A1   | 3/2005  | Higgins           | 206/534   |
| 2005/0103677 | A1   | 5/2005  | Fuchsberger       | 206/534   |
| 2007/0199848 | A1   | 8/2007  | Ellswood et al.   | 206/459.5 |
| 2007/0199850 | A1   | 8/2007  | Levy              | 206/464   |
| 2007/0272569 | A1   | 11/2007 | Coile et al.      | 206/307.1 |
| 2008/0000786 | A1   | 1/2008  | Collotta et al.   | 206/217   |
| 2008/0060968 | A1   | 3/2008  | Levy              | 206/531   |
| 2009/0100731 | A1 * | 4/2009  | Elvin             | 40/655    |

\* cited by examiner

*Primary Examiner*—Susan Bennett Hattan

(74) *Attorney, Agent, or Firm*—Jacobson Holman PLLC

(57) **CLAIM**

The ornamental design for a tri-fold drug card, as shown and described.

**DESCRIPTION**

FIG. 1 is a perspective view showing my new design for a tri-fold drug card, the portion shown in dotted lines is for illustrative purposes only,

FIG. 2 is a front view thereof, the portion shown in dotted lines is to illustrate perforation lines,

FIG. 3 is a rear view thereof, the portion shown in dotted lines is to illustrate perforation lines,

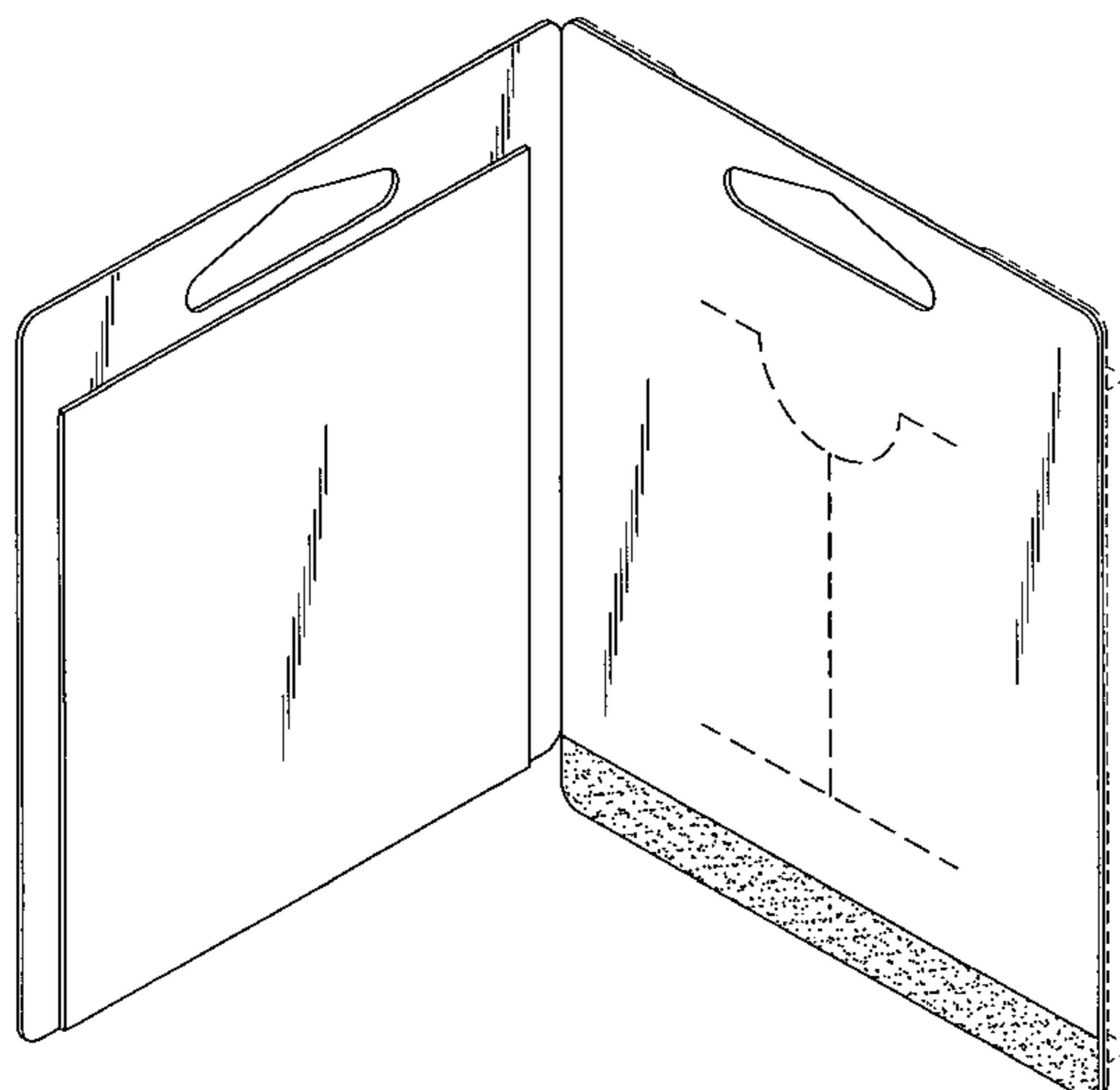
FIG. 4 is a left side view thereof,

FIG. 5 is a right side view thereof,

FIG. 6 is a top view thereof; and,

FIG. 7 is a bottom view thereof.

**1 Claim, 5 Drawing Sheets**



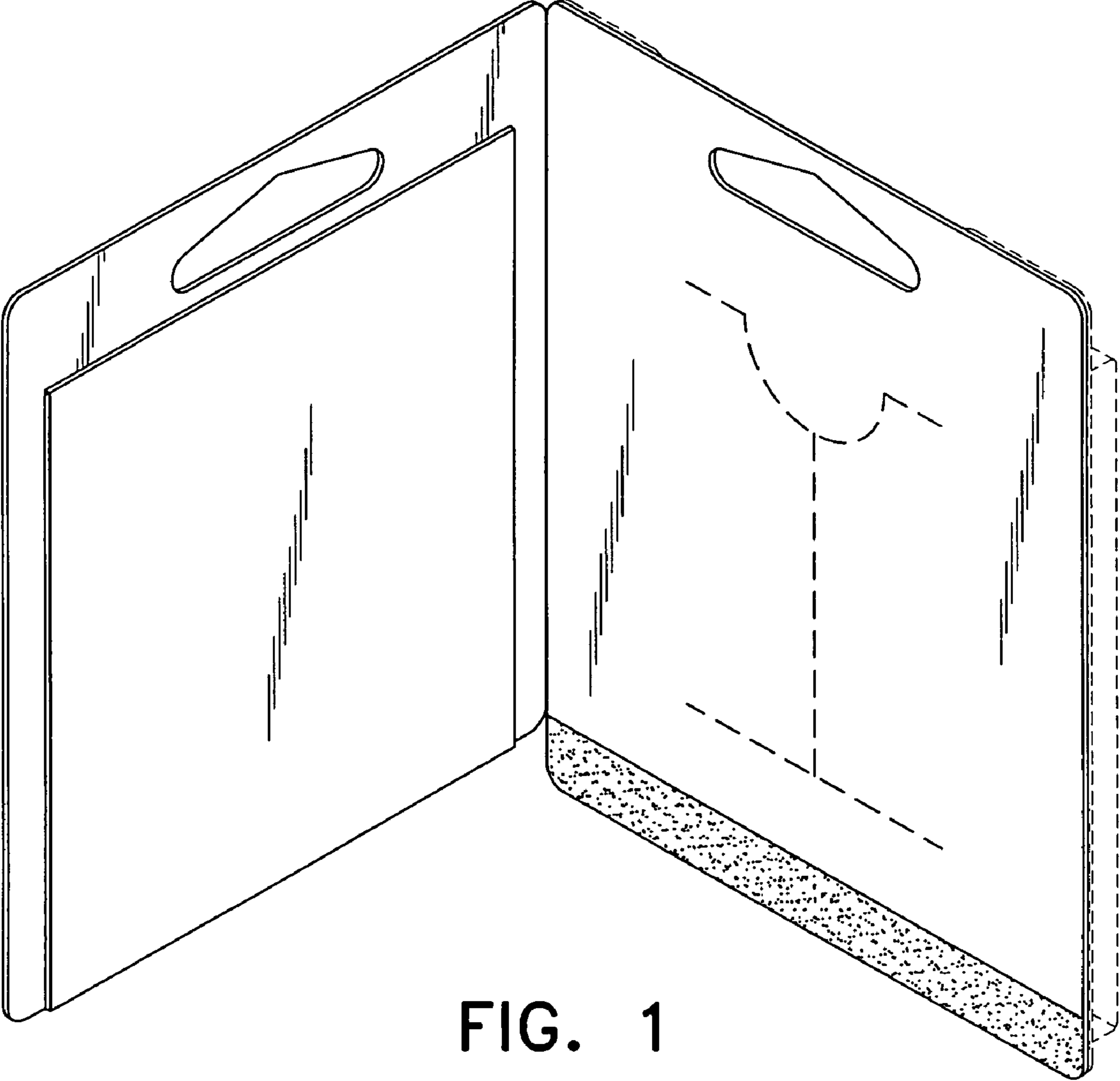


FIG. 1

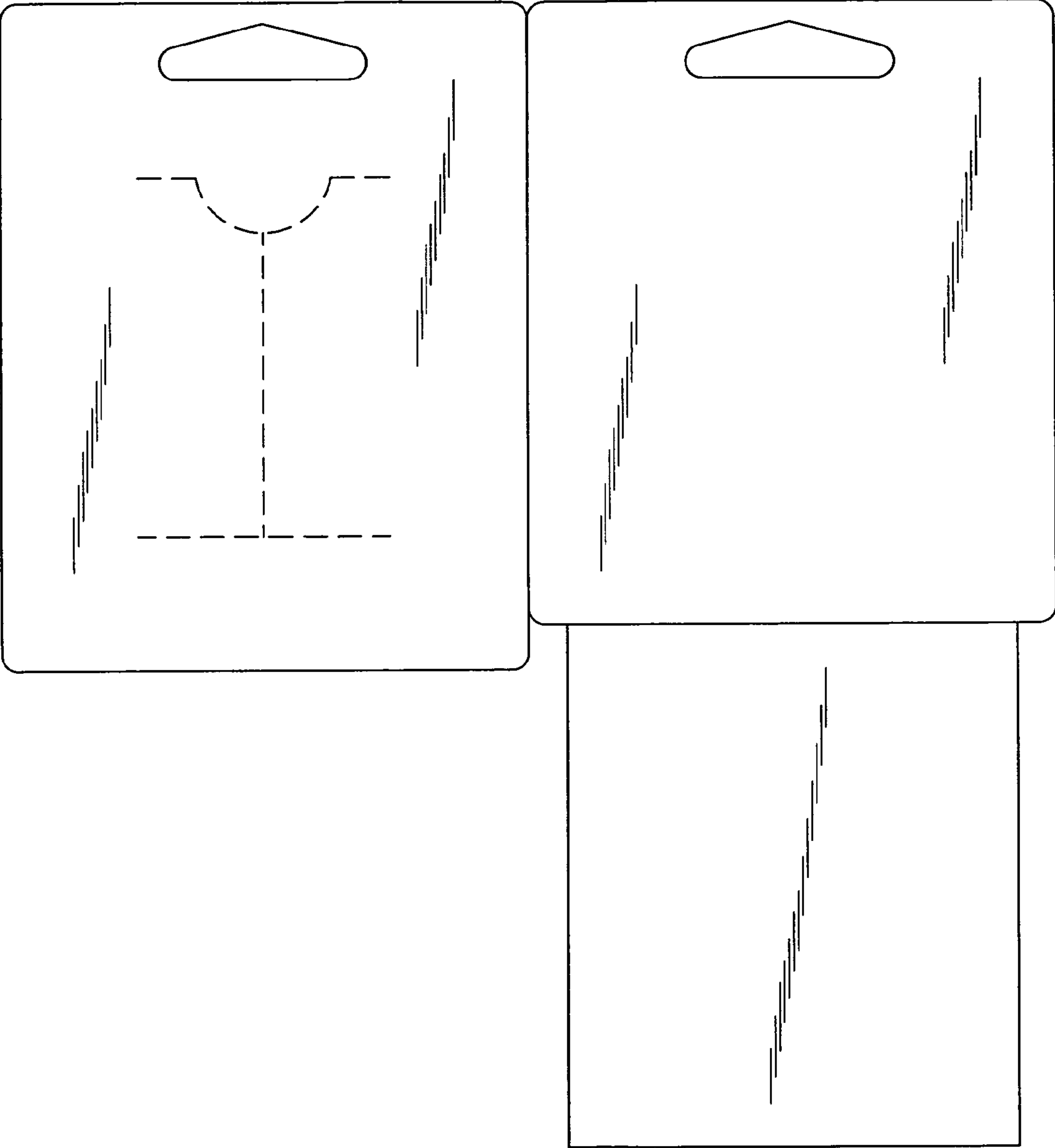


FIG. 2

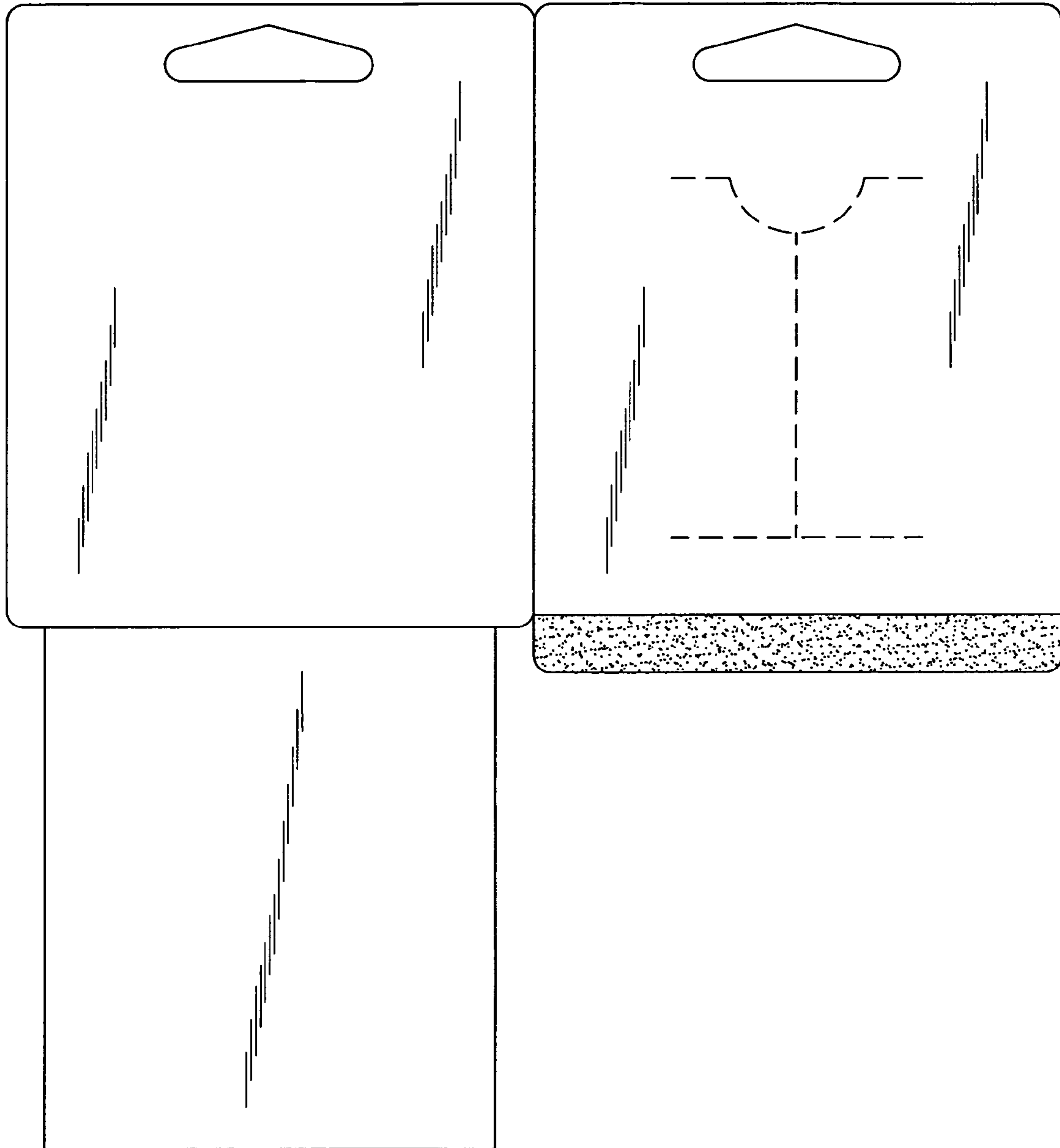


FIG. 3



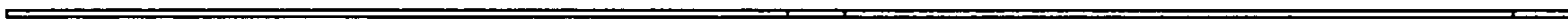
FIG. 4



FIG. 5



**FIG. 6**



**FIG. 7**