



US00D623945S

(12) **United States Design Patent**
Levy

(10) **Patent No.:** **US D623,945 S**

(45) **Date of Patent:** **** Sep. 21, 2010**

(54) **TRI-FOLD DRUG CARD**

(75) Inventor: **Gordon Levy**, Denver, CO (US)

(73) Assignee: **Navajo Manufacturing Company, Inc.**,
Denver, CO (US)

(**) Term: **14 Years**

(21) Appl. No.: **29/347,084**

(22) Filed: **Sep. 18, 2009**

(51) **LOC (9) Cl.** **09-03**

(52) **U.S. Cl.** **D9/457; D9/415**

(58) **Field of Classification Search** D9/732,
D9/624, 500, 457, 456, 455, 446, 435, 434,
D9/433, 432, 418, 415, 414, 416, 420, 422,
D9/423; D20/42, 40, 28, 27, 22; 40/310;
283/62; 229/149; 206/728, 704, 703, 538,
206/534, 457, 278

See application file for complete search history.

(56) **References Cited**

U.S. PATENT DOCUMENTS

2,790,587	A	4/1957	Contant	
3,900,578	A	11/1976	Roeser	206/461
4,189,053	A *	2/1980	Stagnitto et al.	206/570
4,506,789	A *	3/1985	Dlugosz	206/532
4,953,700	A	9/1990	DeDino	206/333
5,242,055	A	9/1993	Pora	206/532
5,613,349	A	3/1997	Brown	53/453
D385,782	S *	11/1997	Harries	D9/415
5,803,499	A *	9/1998	Tung et al.	283/56
6,053,325	A	4/2000	Yonker et al.	206/736
D454,783	S	3/2002	Pirro et al.	D9/415
D455,345	S *	4/2002	Assargren et al.	D9/732
6,375,225	B1	4/2002	Lapsker	283/56
6,382,412	B1 *	5/2002	Wood	206/232
6,439,613	B2 *	8/2002	Klure	283/62
6,615,986	B2	9/2003	Pirro et al.	206/704
6,669,236	B1	12/2003	Höllwarth-Oberholz	283/81
6,715,795	B2 *	4/2004	Klure	283/62
6,978,894	B2	12/2005	Mundt	206/534

7,128,222	B2	10/2006	Doucette	211/85.4
D541,647	S *	5/2007	Ashby et al.	D9/415
D543,102	S *	5/2007	Ashby et al.	D9/415
D555,511	S *	11/2007	Warmka et al.	D9/722
7,360,652	B2 *	4/2008	Arnold	206/538
D572,132	S *	7/2008	Rozanski	D9/457
D599,409	S *	9/2009	Kan	D20/27
7,621,405	B2 *	11/2009	Schweitzer et al.	206/703
2003/0205489	A1 *	11/2003	Shumake et al.	206/224
2004/0045859	A1	3/2004	Favale	206/471
2005/0056564	A1	3/2005	Higgins	206/534
2005/0103677	A1	5/2005	Fuchsberger	206/534
2007/0199848	A1	8/2007	Ellswood et al.	206/459.5
2007/0199850	A1	8/2007	Levy	206/464
2007/0272569	A1	11/2007	Coile et al.	206/307.1
2008/0000786	A1	1/2008	Collotta et al.	206/217
2008/0060968	A1	3/2008	Levy	206/531
2009/0100731	A1 *	4/2009	Elvin	40/655

* cited by examiner

Primary Examiner—Susan Bennett Hattan

(74) *Attorney, Agent, or Firm*—Jacobson Holman PLLC

(57) **CLAIM**

The ornamental design for a tri-fold drug card, as shown and described.

DESCRIPTION

FIG. 1 is a perspective view showing my new design for a tri-fold drug card, the portion shown in dotted lines is for illustrative purposes only,

FIG. 2 is a front view thereof, the portion shown in dotted lines is to illustrate perforation lines,

FIG. 3 is a rear view thereof, the portion shown in dotted lines is to illustrate perforation lines,

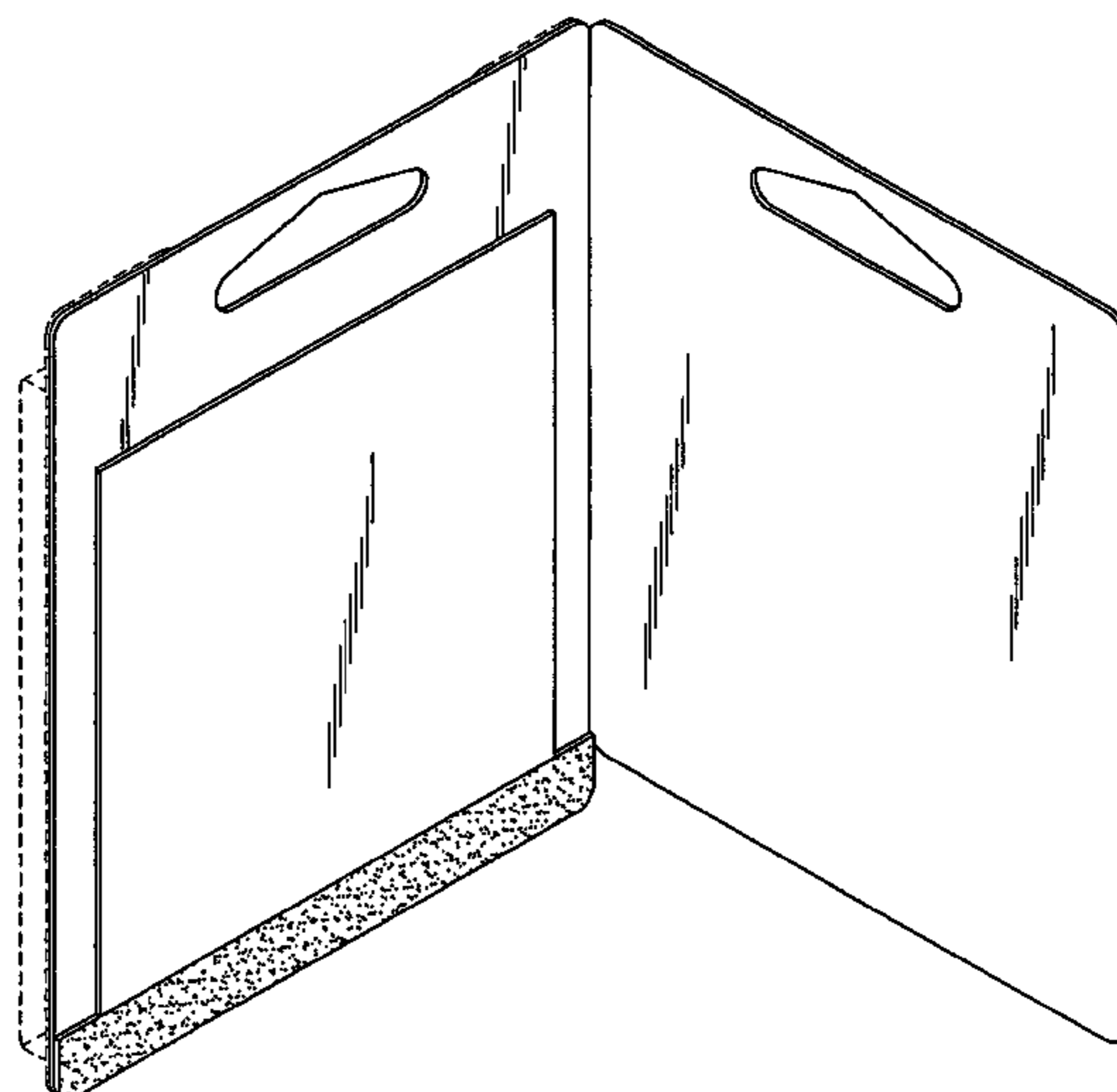
FIG. 4 is a left side view thereof,

FIG. 5 is a right side view thereof,

FIG. 6 is a top view thereof; and,

FIG. 7 is a bottom view thereof.

1 Claim, 5 Drawing Sheets



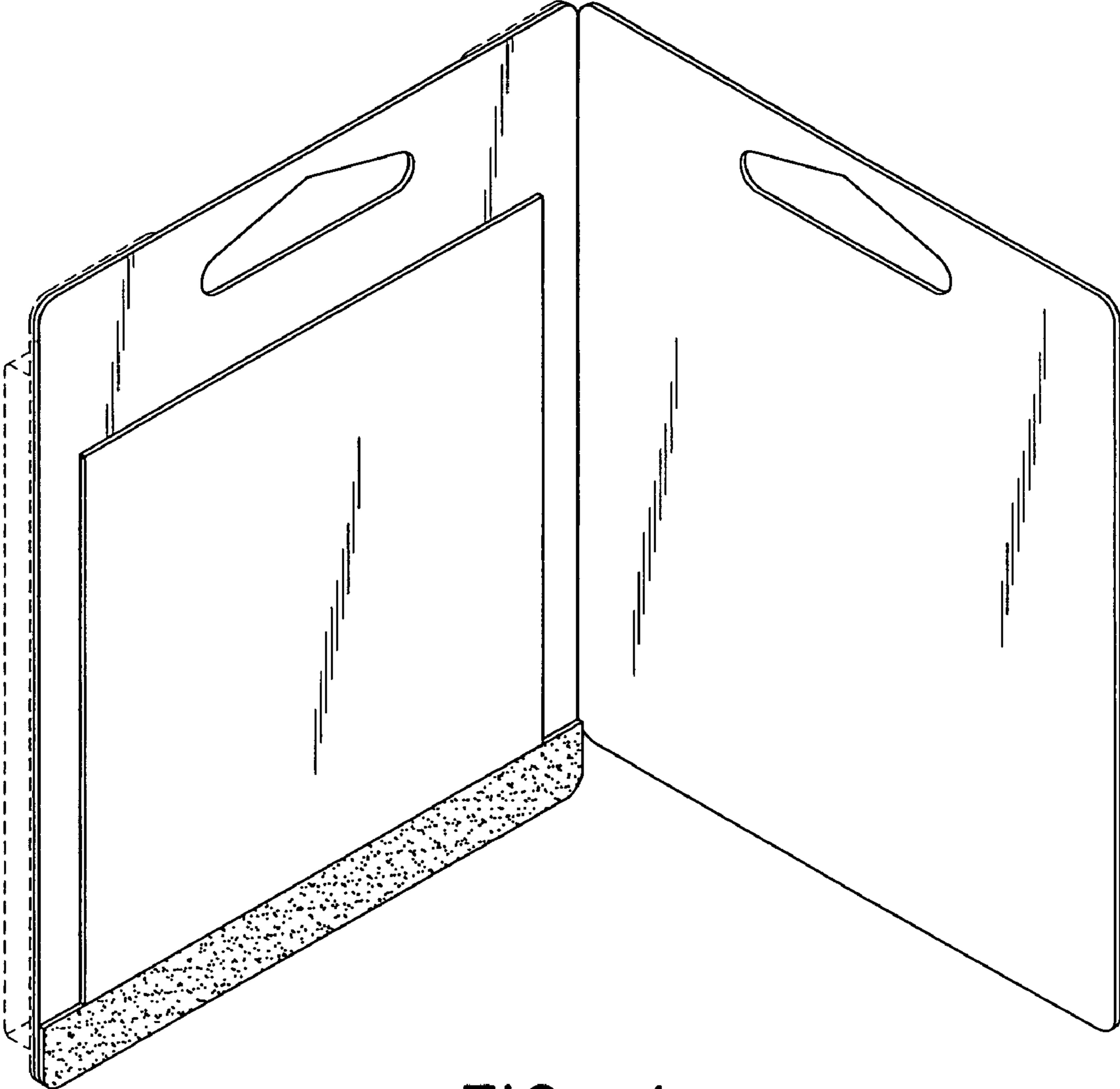


FIG. 1

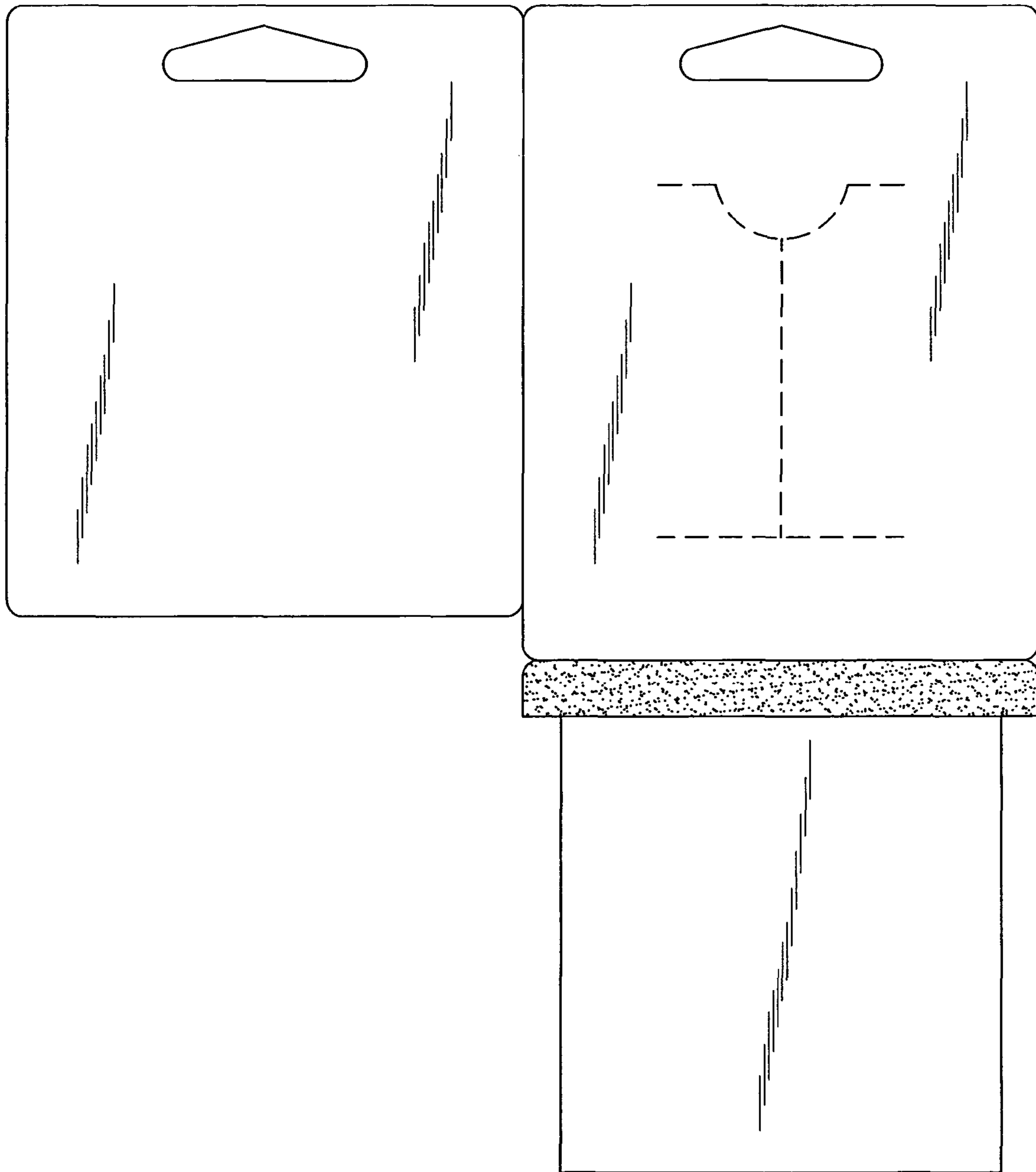


FIG. 2

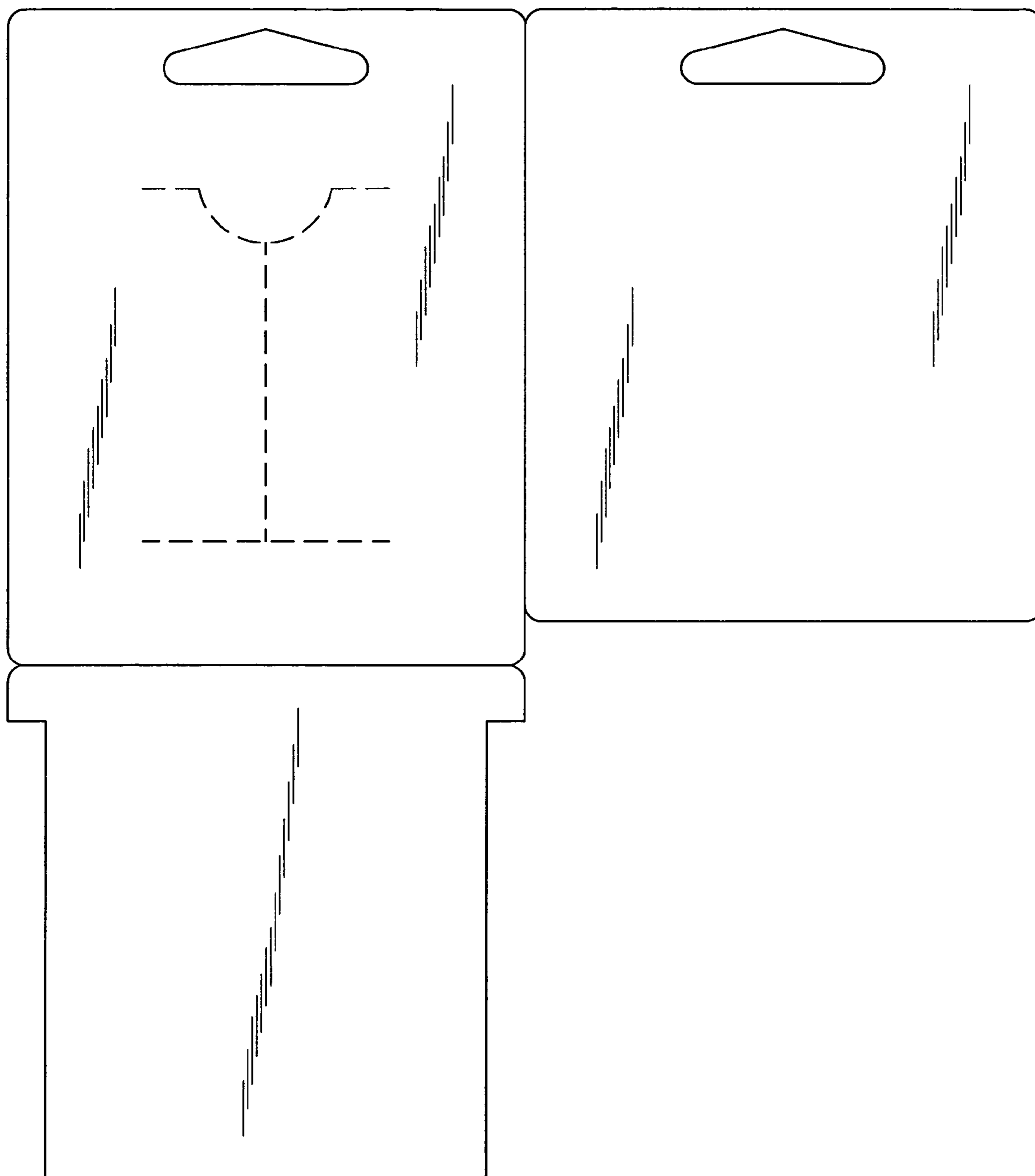


FIG. 3



FIG. 4



FIG. 5



FIG. 6



FIG. 7