



US00D623942S

(12) **United States Design Patent**
Alluigi

(10) **Patent No.:** **US D623,942 S**

(45) **Date of Patent:** **** Sep. 21, 2010**

(54) **TRIGGER DISPENSER**

(75) Inventor: **Riccardo Alluigi**, Alessandria (IT)

(73) Assignee: **Guala Dispensing S.p.A.**, Spinetta Marengo, Alessandria (IT)

(**) Term: **14 Years**

(21) Appl. No.: **29/340,371**

(22) Filed: **Jul. 17, 2009**

(30) **Foreign Application Priority Data**

Jun. 18, 2009 (IT) BS2009O0026

(51) **LOC (9) Cl.** **09-07**

(52) **U.S. Cl.** **D9/448**

(58) **Field of Classification Search** D9/456,
D9/455, 448, 447, 445, 438, 434, 763, 772;
D7/605, 387, 213; D3/211, 207; D23/226;
40/307; 239/333, 331; 222/635, 631, 566,
222/321.9, 321.8, 321.7, 320, 251; 220/915,
220/269, 268, 258.5

See application file for complete search history.

(56) **References Cited**

U.S. PATENT DOCUMENTS

D525,123 S * 7/2006 Walters et al. D9/448

D532,299 S * 11/2006 Kuo D9/448
7,249,692 B2 * 7/2007 Walters et al. 222/153.11
D573,021 S * 7/2008 Ohshima D9/448
D580,760 S * 11/2008 Costa Quintas D9/448
D589,795 S * 4/2009 Sweeton et al. D9/448

* cited by examiner

Primary Examiner—Susan Bennett Hattan

(74) *Attorney, Agent, or Firm*—Kilyk & Bowersox, P.L.L.C.

(57) **CLAIM**

The ornamental design for a trigger dispenser, as shown and described.

DESCRIPTION

FIG. 1 is a perspective view of the trigger dispenser showing my new design;

FIG. 2 is a right side elevational view thereof;

FIG. 3 is a perspective view of the opposite side thereof;

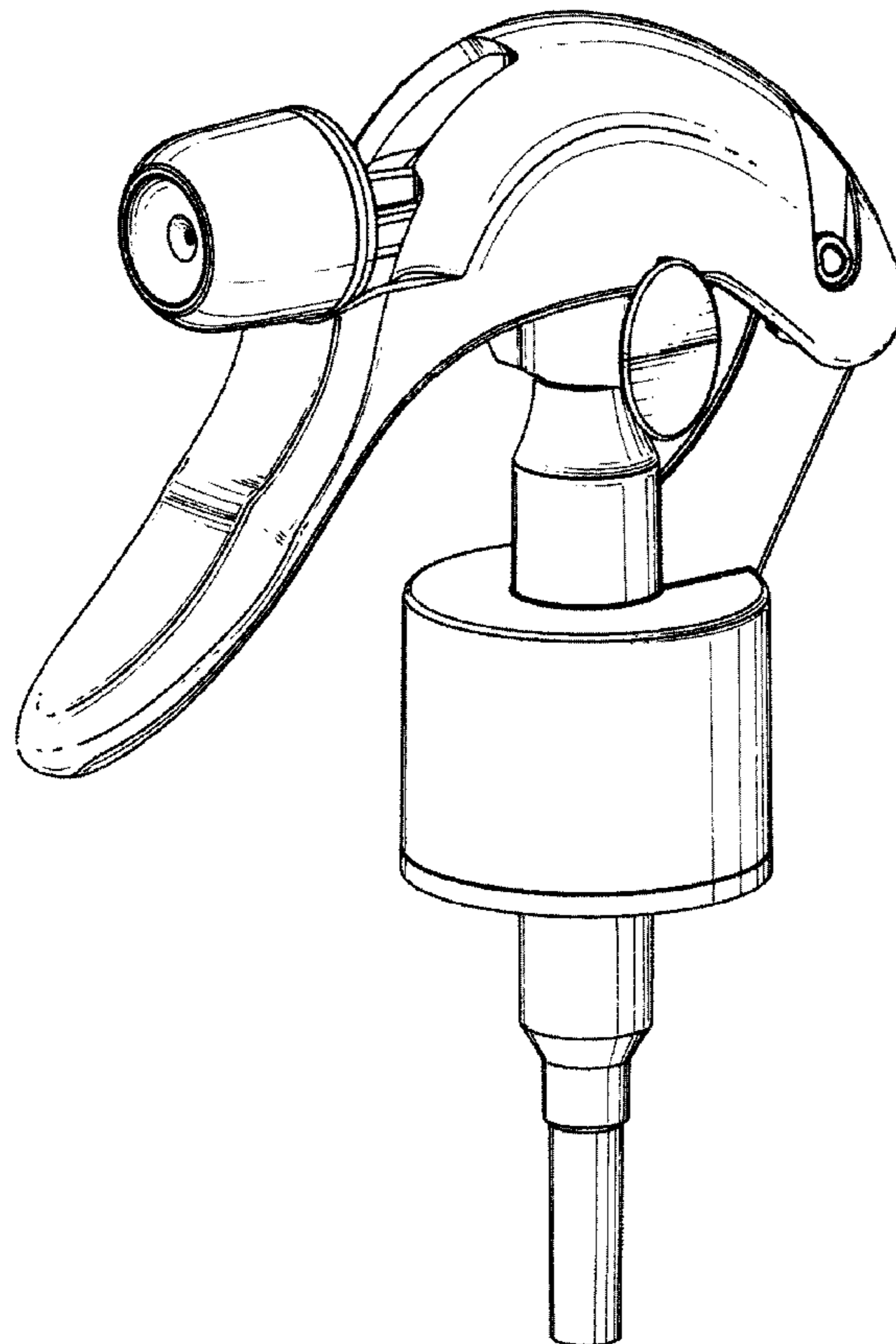
FIG. 4 is a front elevational view thereof;

FIG. 5 is a left side elevational view thereof;

FIG. 6 is a top plan view thereof; and,

FIG. 7 is a rear elevational view thereof.

1 Claim, 7 Drawing Sheets



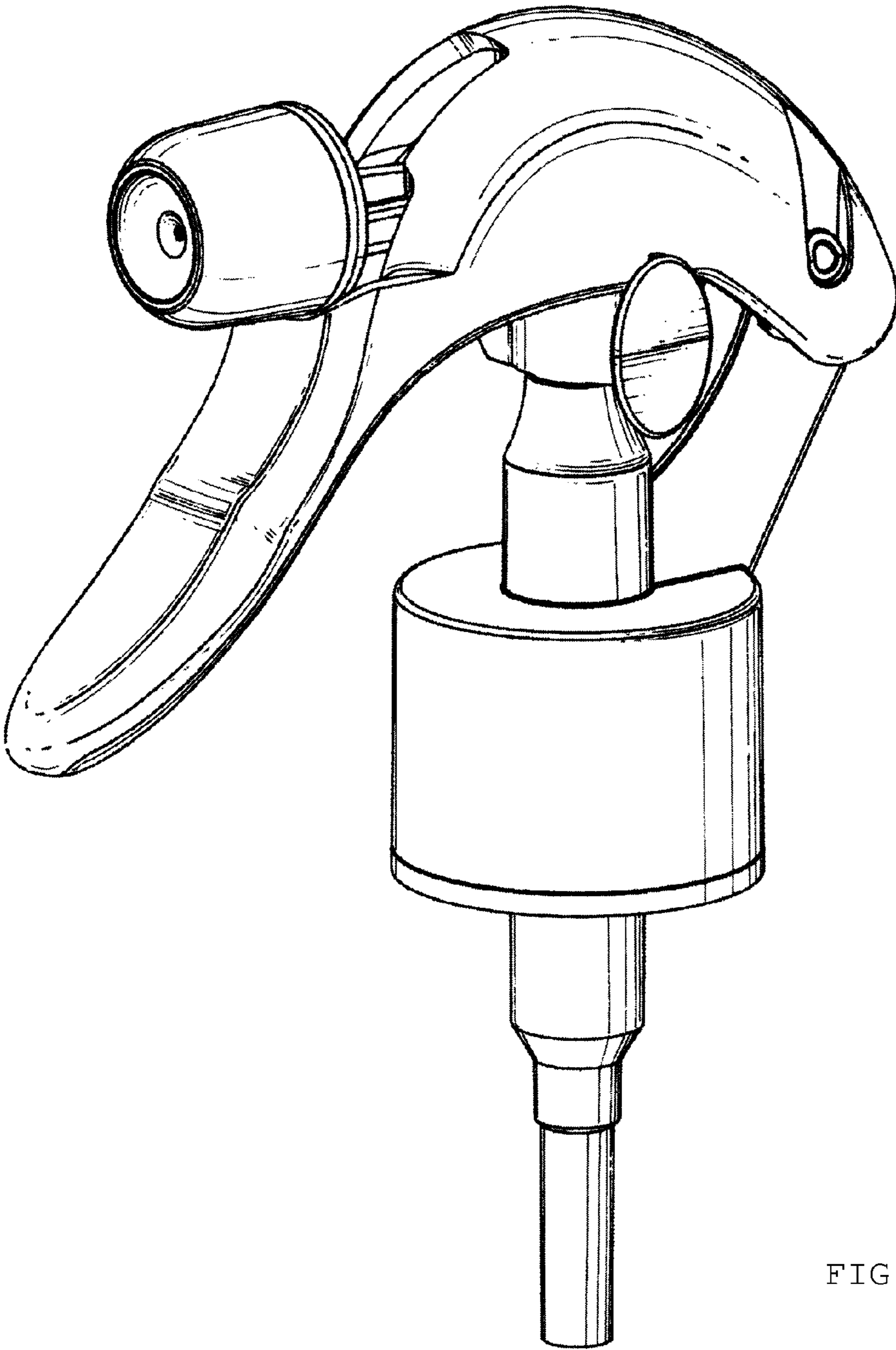


FIG. 1

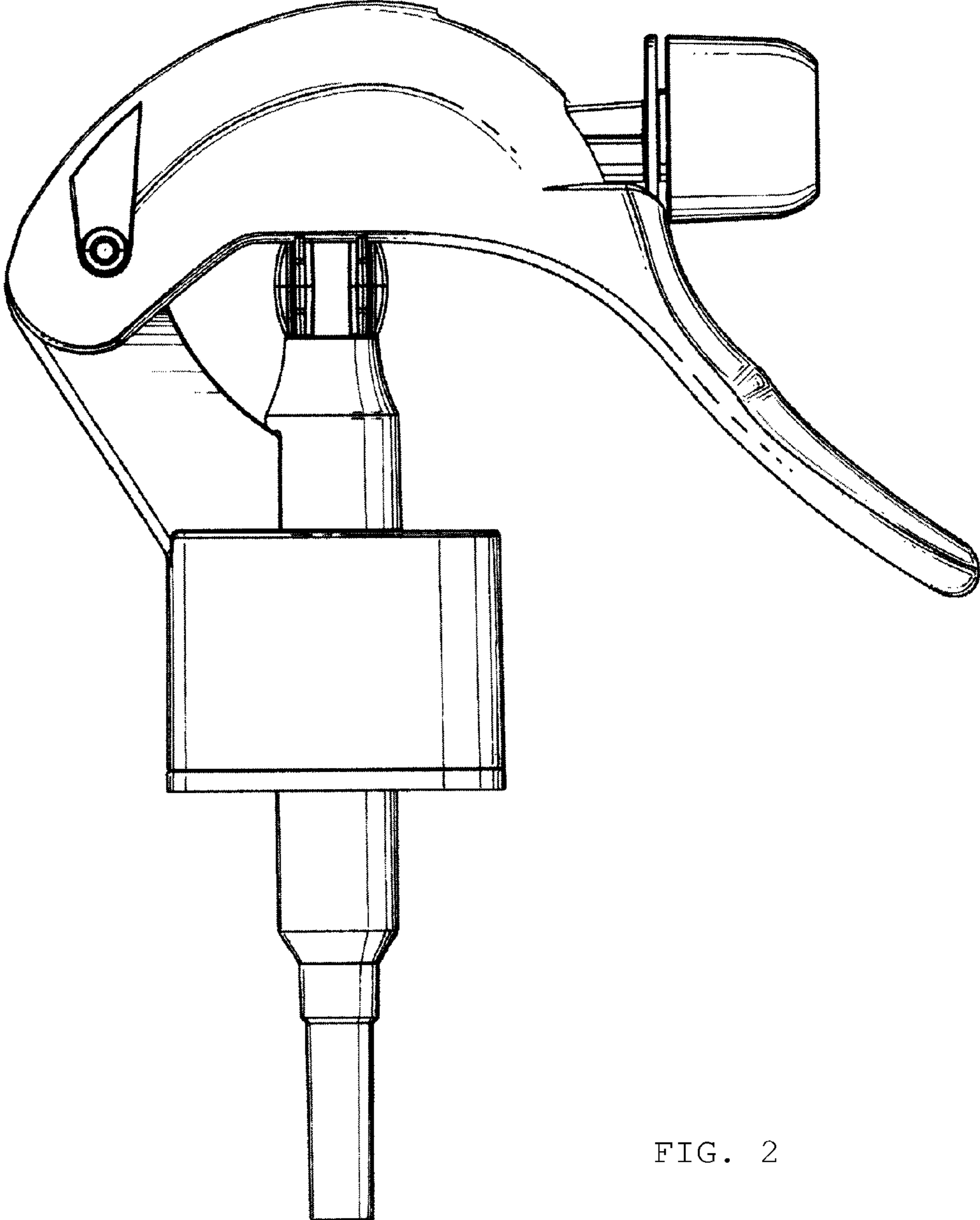


FIG. 2

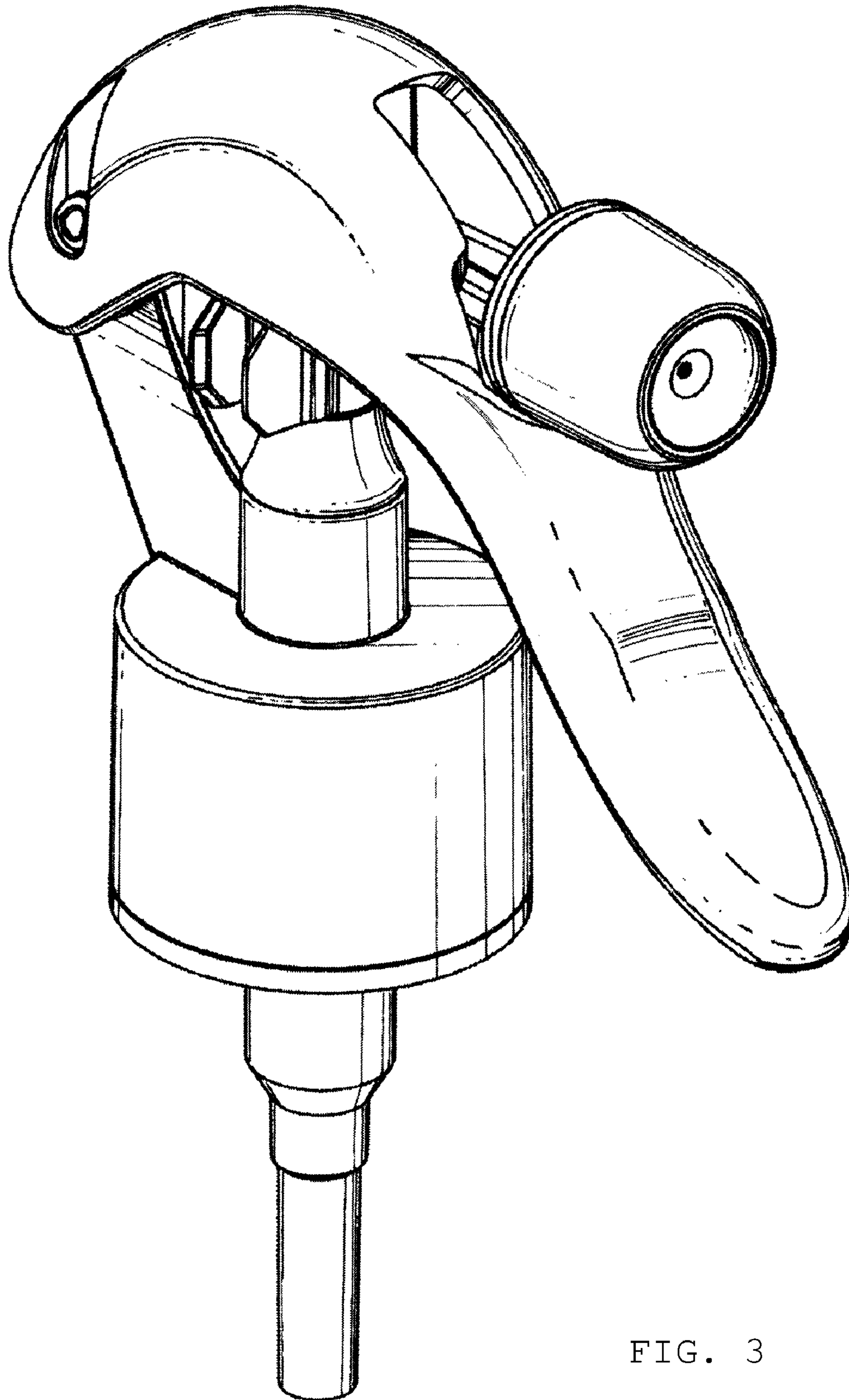


FIG. 3

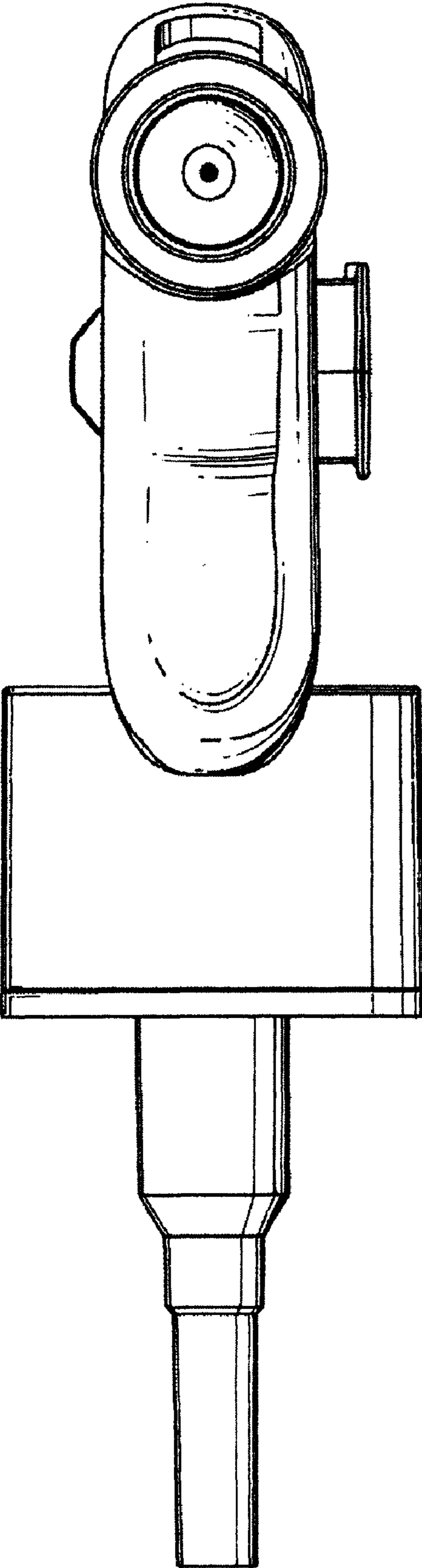


FIG. 4

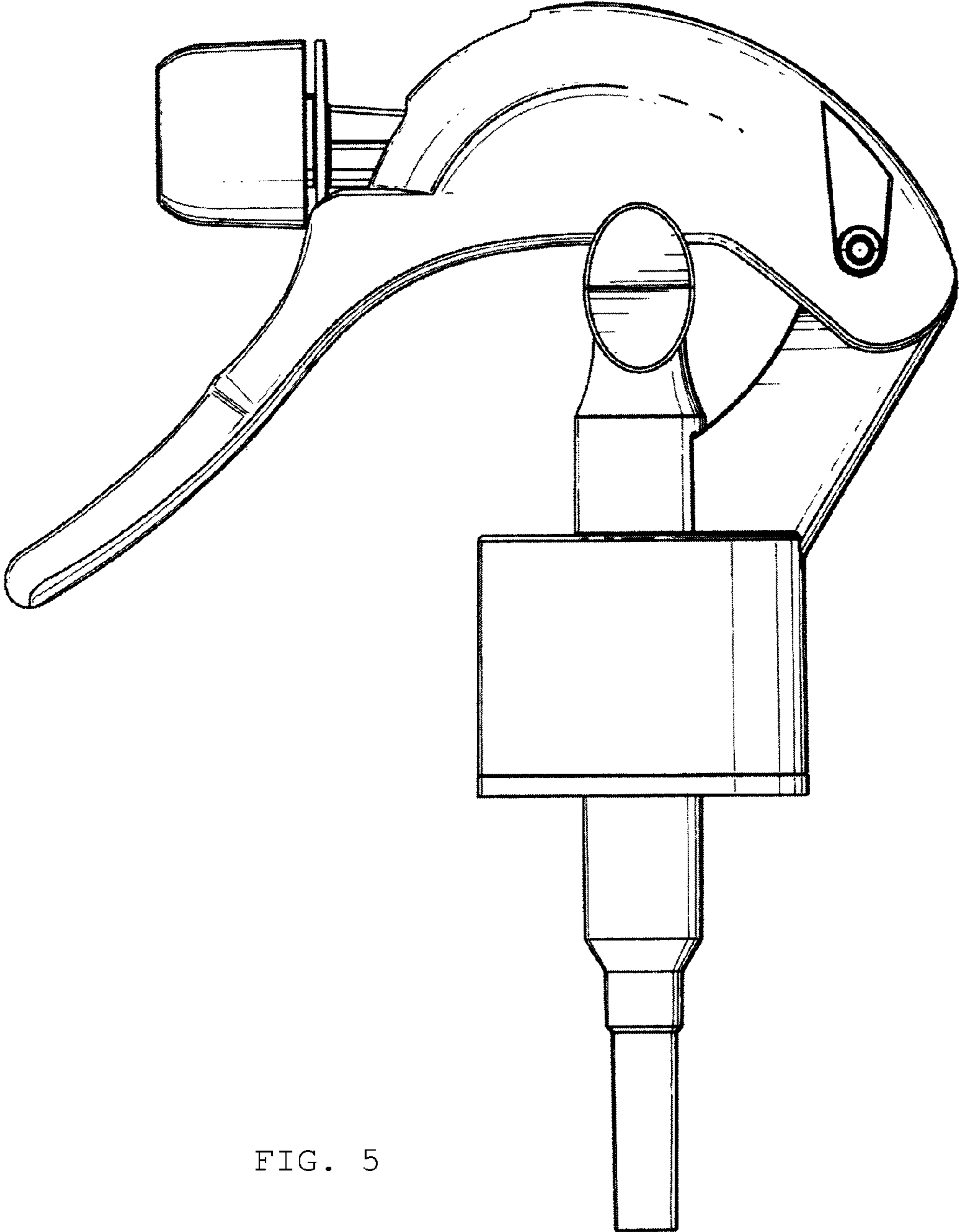


FIG. 5

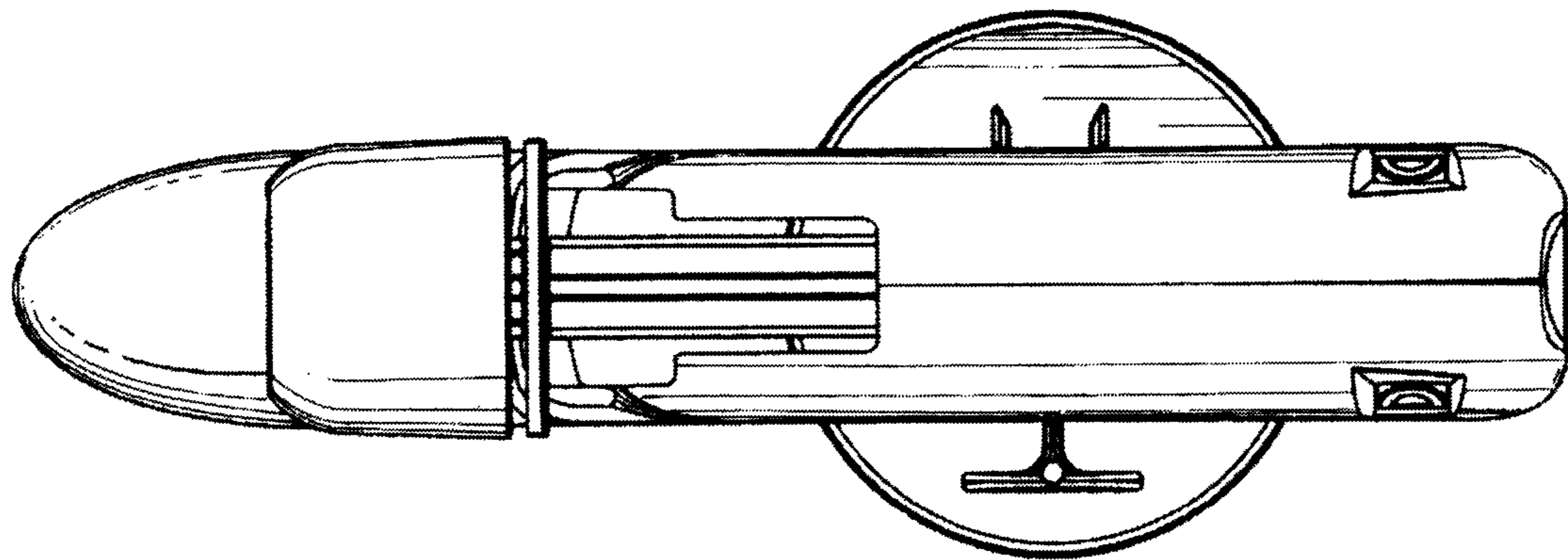


FIG. 6

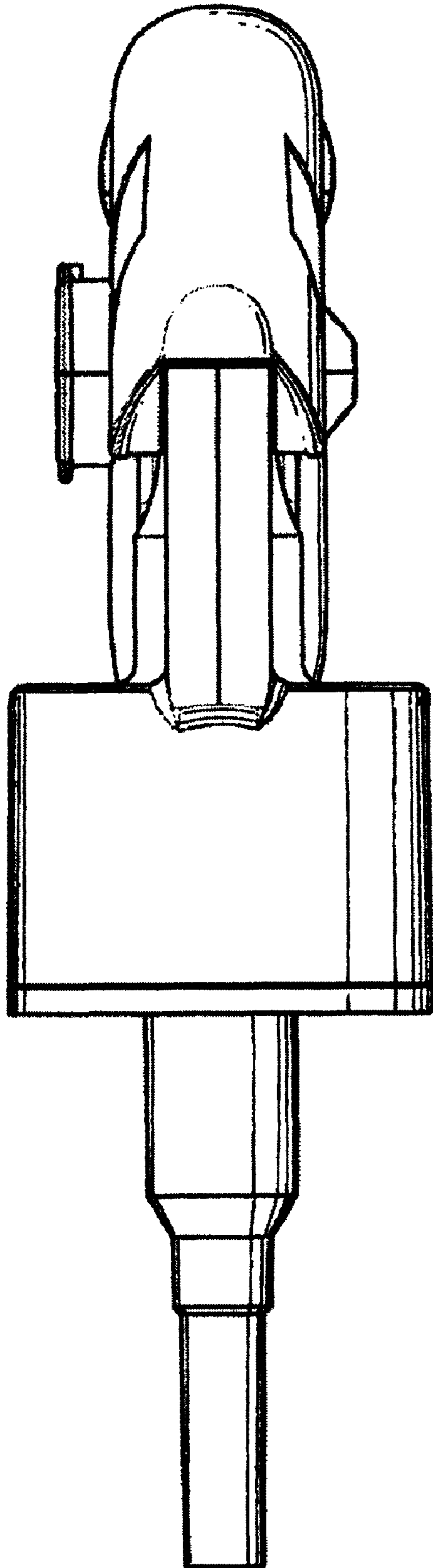


FIG. 7