



US00D623938S

(12) **United States Design Patent**  
**Gordon et al.**

(10) **Patent No.:** **US D623,938 S**

(45) **Date of Patent:** **\*\* Sep. 21, 2010**

(54) **CONTAINER WITH FOOTBALL GAME FEATURE**

(75) Inventors: **Andrew Gordon**, Cincinnati, OH (US);  
**Dennis Heydorn, Jr.**, Cincinnati, OH (US); **John W. Stevie**, Taylor Mill, KY (US)

(73) Assignee: **Elk Creek Vineyards, LLC**, Owenton, KY (US)

(\*\*) Term: **14 Years**

(21) Appl. No.: **29/353,075**

(22) Filed: **Dec. 31, 2009**

(51) **LOC (9) Cl.** ..... **09-03**

(52) **U.S. Cl.** ..... **D9/432**

(58) **Field of Classification Search** ..... D9/430-433,  
D9/414, 418, 420-424; D3/272; 206/267,  
206/269, 270, 273, 299, 737, 740, 822; 229/100,  
229/101, 101.3, 106, 108-112, 114-117,  
229/117.05-117.09, 117.24-117.26, 221,  
229/222, 227, 902, 939, 941, 942  
See application file for complete search history.

(56) **References Cited**

U.S. PATENT DOCUMENTS

1,953,418 A \* 4/1934 MacDonald ..... 206/739  
2,202,592 A \* 5/1940 Maxson ..... 446/85  
D129,731 S \* 9/1941 Luttrell ..... D9/418  
2,762,550 A \* 9/1956 Goettsch et al. .... 229/122.33  
2,766,922 A \* 10/1956 Moore ..... 229/222  
2,820,585 A \* 1/1958 Nerenberg et al. .... 229/221  
3,262,631 A \* 7/1966 Belsinger ..... 229/122  
3,443,739 A \* 5/1969 Adams, Jr. .... 229/117  
3,690,543 A \* 9/1972 Zeitter ..... 229/117  
4,809,853 A \* 3/1989 Weber ..... 229/122  
D305,101 S \* 12/1989 Winterling ..... D9/416  
4,921,105 A \* 5/1990 Culbreth ..... 229/117.16  
4,925,032 A \* 5/1990 Liles ..... 206/564  
4,967,910 A \* 11/1990 Schuster ..... 229/122

5,036,983 A \* 8/1991 Thykeson ..... 229/122  
D321,647 S \* 11/1991 Oldorf ..... D9/734  
D328,375 S \* 7/1992 Levine ..... D34/7  
5,281,185 A \* 1/1994 Lee ..... 446/488  
D379,586 S \* 6/1997 Hale ..... D9/418

(Continued)

*Primary Examiner*—Robert M Spear

*Assistant Examiner*—Karen Acker

(74) *Attorney, Agent, or Firm*—Wood, Herron & Evans LLP

(57) **CLAIM**

The ornamental design for a container with football game feature, as shown and described.

**DESCRIPTION**

FIG. 1 is an isometric view of the container with football game feature illustrated in an erected state;

FIG. 2 is an isometric view of the container with football game feature illustrated in a collapsed state;

FIG. 3 is a front elevational view of the design of FIG. 1;

FIG. 4 is a rear elevational view of the design of FIG. 1;

FIG. 5 is a right-side elevational view of the design of FIG. 1;

FIG. 6 is a left-side elevational view of the design of FIG. 1;

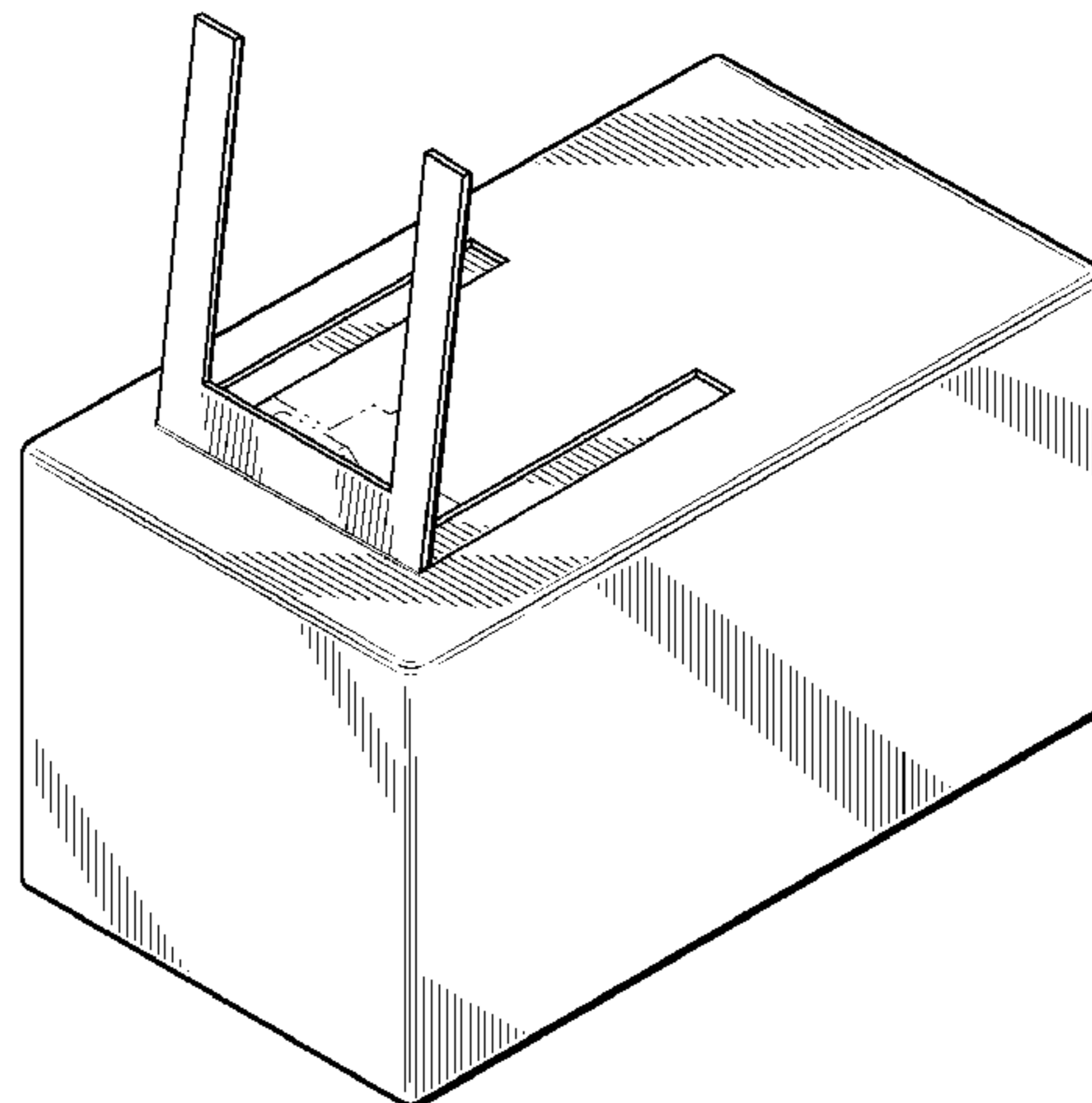
FIG. 7 is a top plan view of the design of FIG. 1; and,

FIG. 8 is a bottom plan view of the design of FIG. 1.

The equally spaced broken lines in FIG. 2 represent claimed perforation lines.

The long and short dashed lines in the drawings represent unclaimed environmental subject matter and form no part of the claimed design.

**1 Claim, 4 Drawing Sheets**



# US D623,938 S

Page 2

---

## U.S. PATENT DOCUMENTS

D479,685 S *	9/2003	Zanchetta et al. ....	D9/433	D553,011 S *	10/2007	Nouvel .....	D9/761
D508,399 S *	8/2005	Nanda .....	D9/418	D604,602 S *	11/2009	Kohno .....	D9/418
D543,451 S *	5/2007	Timmermans et al. ....	D9/418	7,617,930 B2 *	11/2009	Jones et al. ....	206/256
				2004/0094437 A1 *	5/2004	Dailey, III .....	206/205
				* cited by examiner			

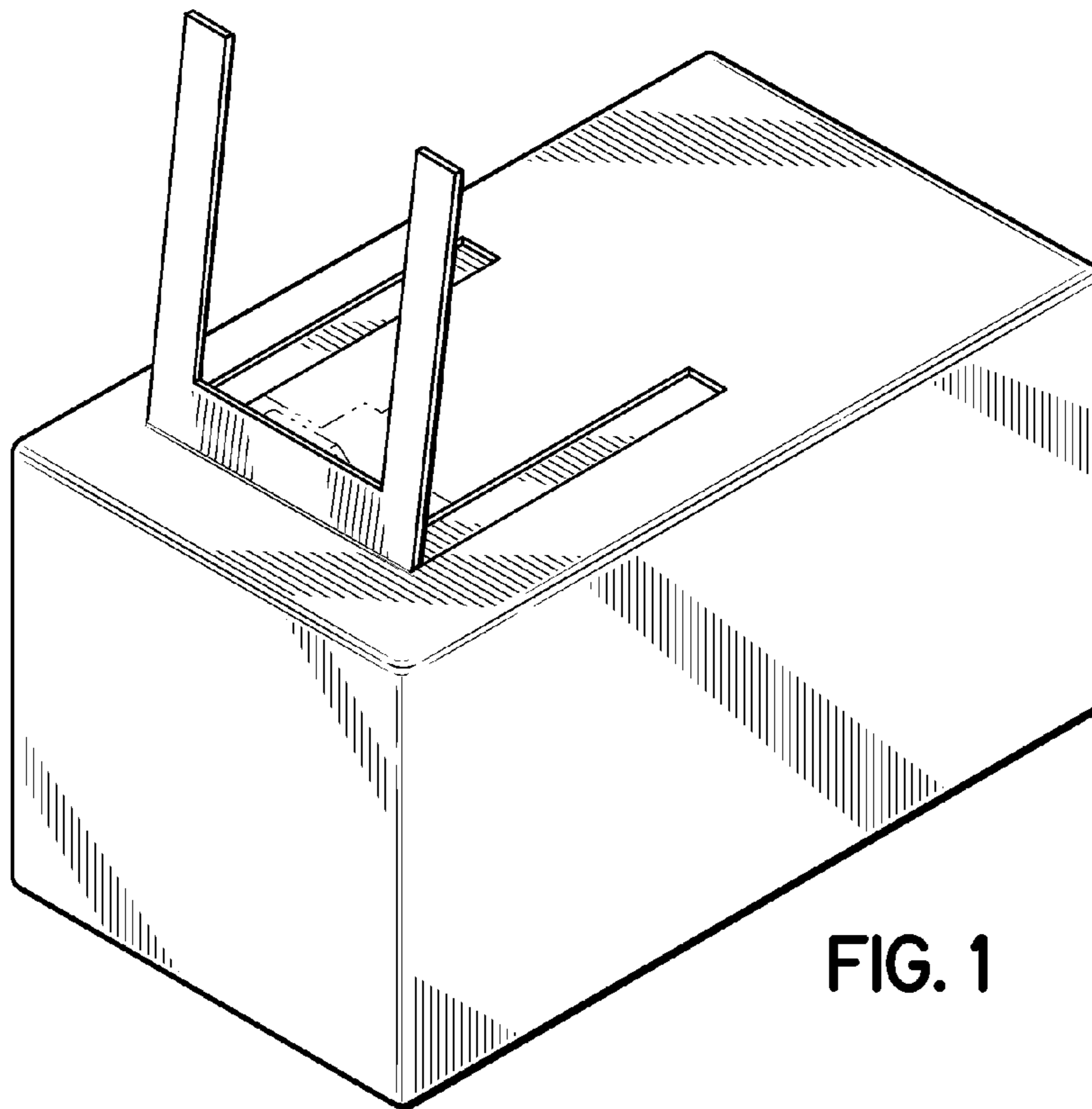


FIG. 1

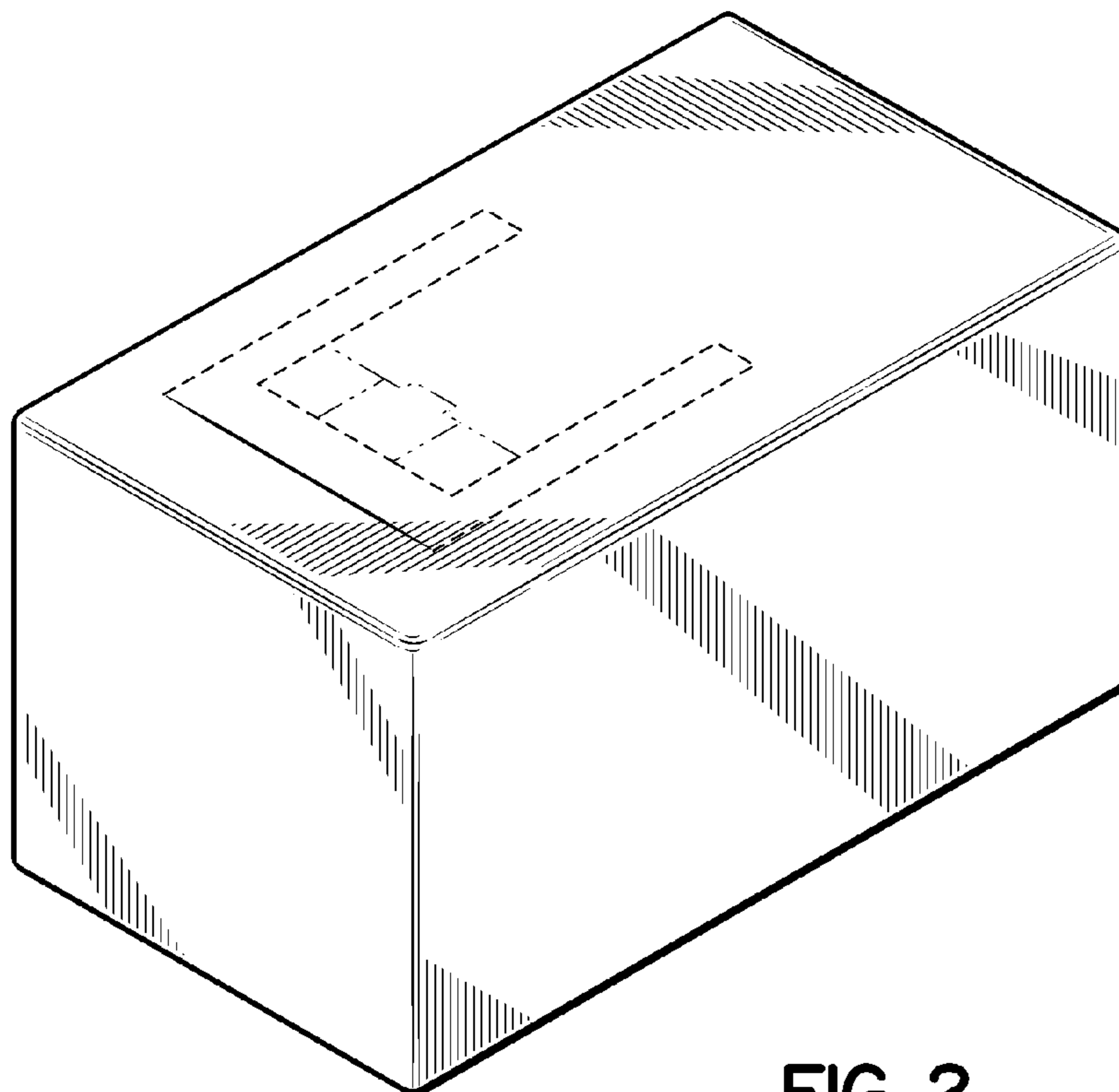


FIG. 2

FIG. 3

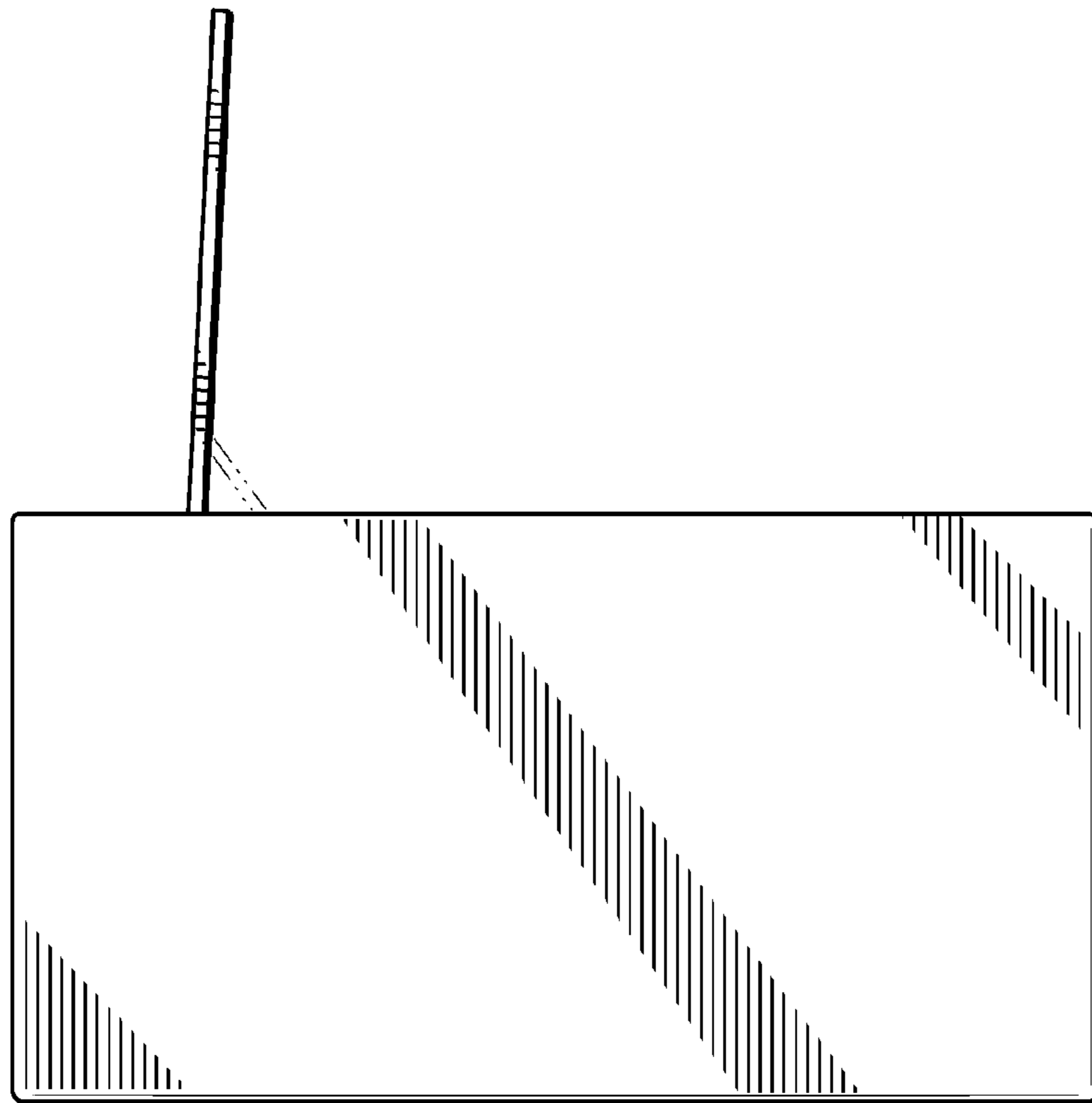
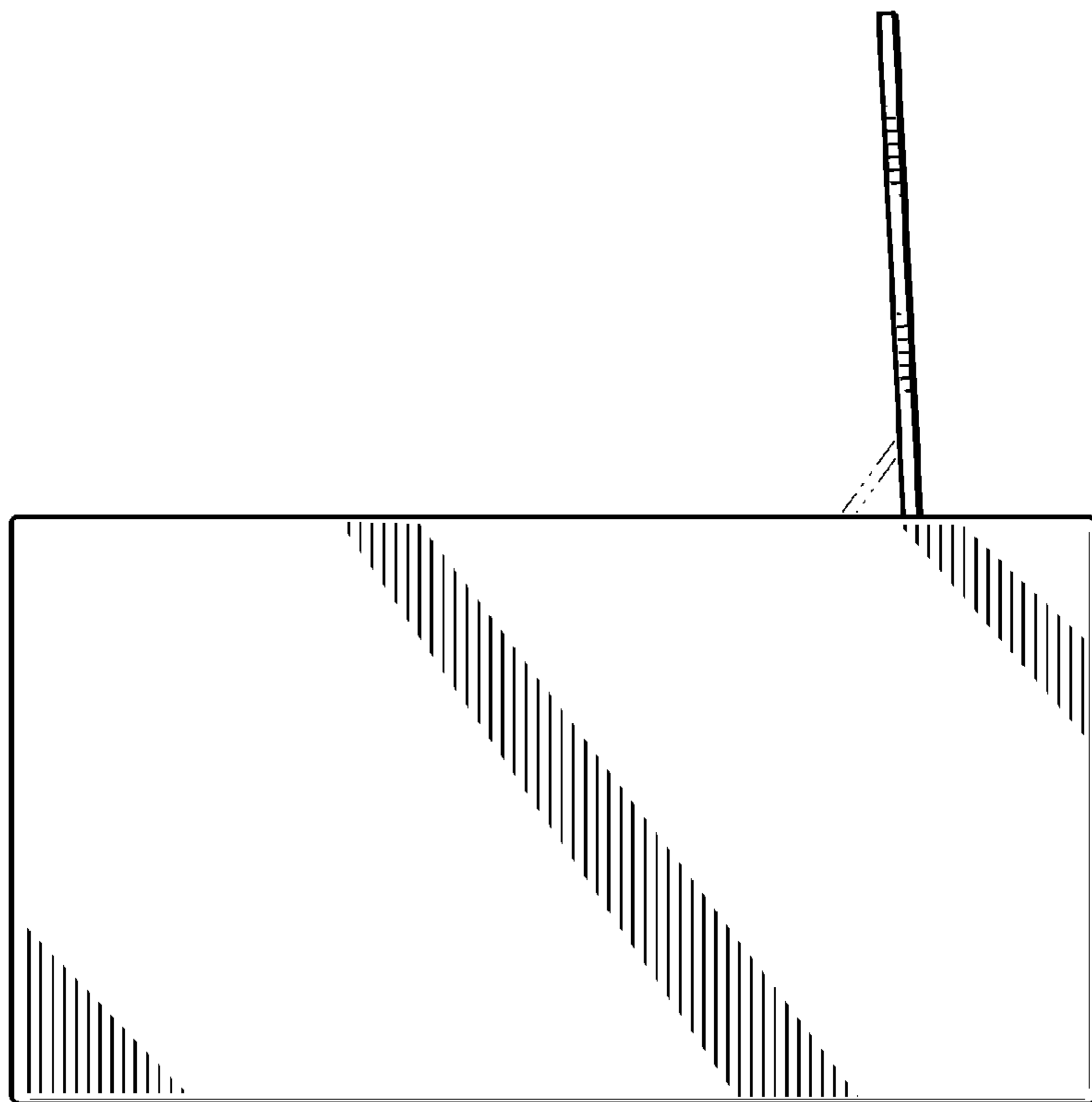


FIG. 4



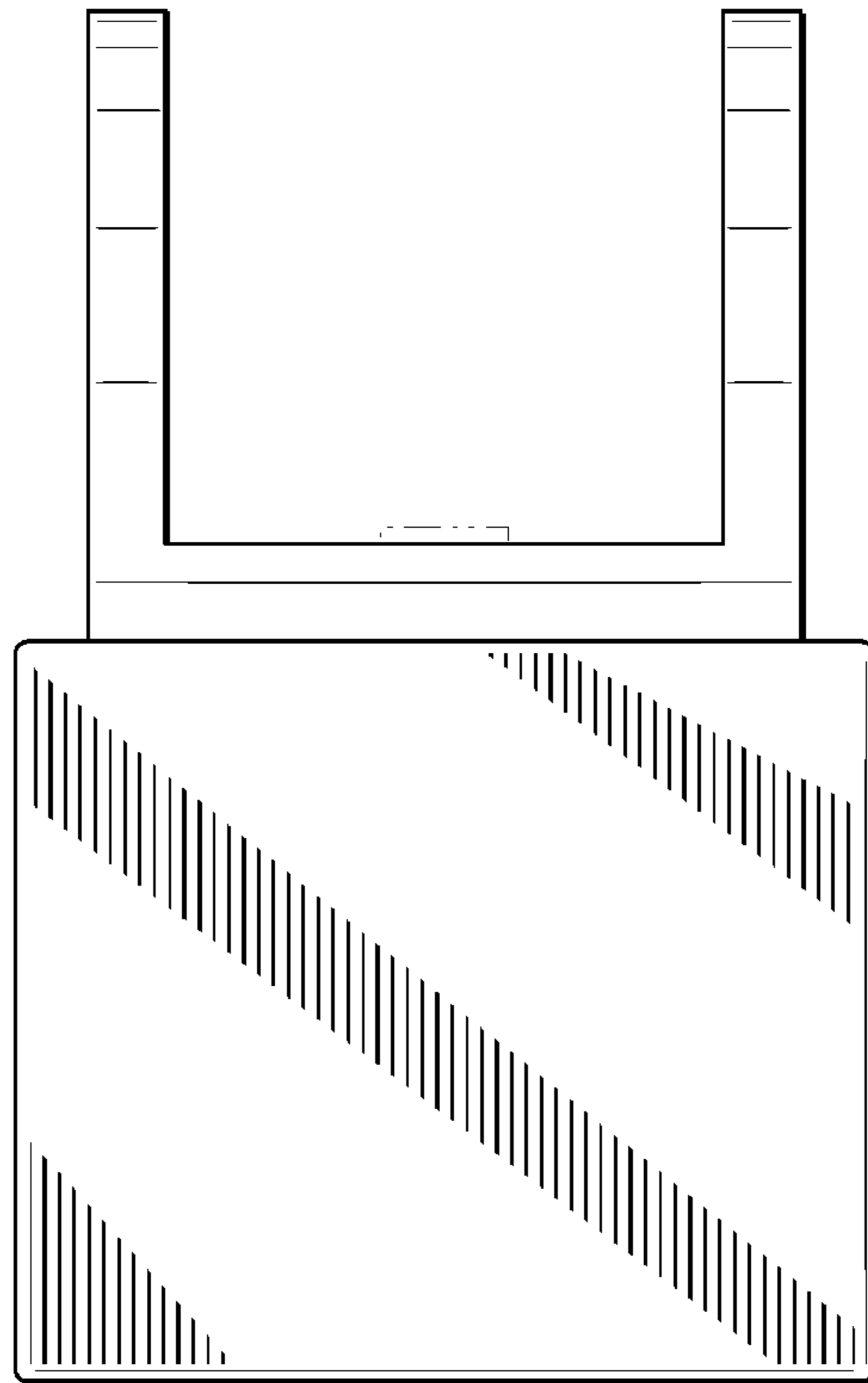


FIG. 5

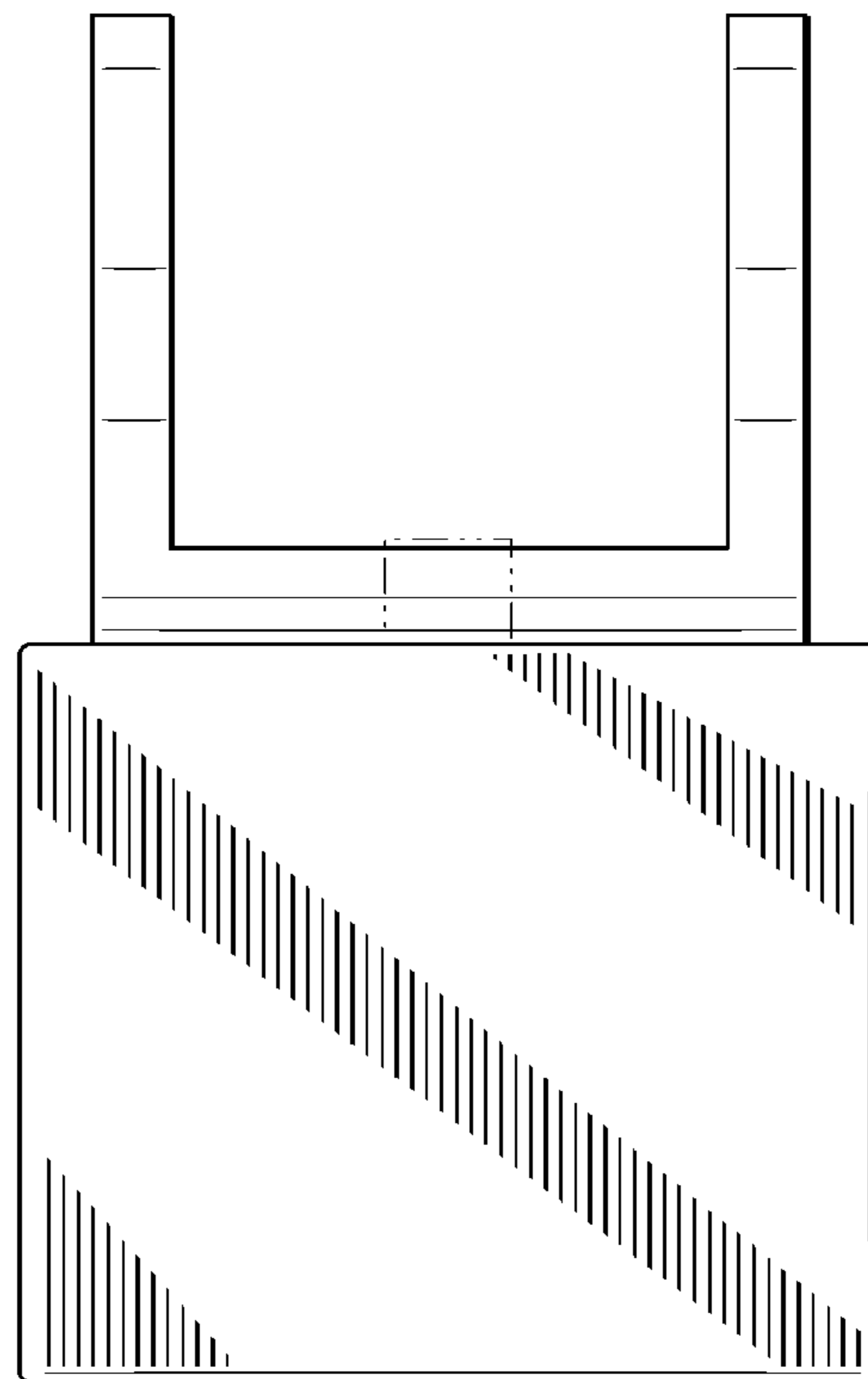


FIG. 6

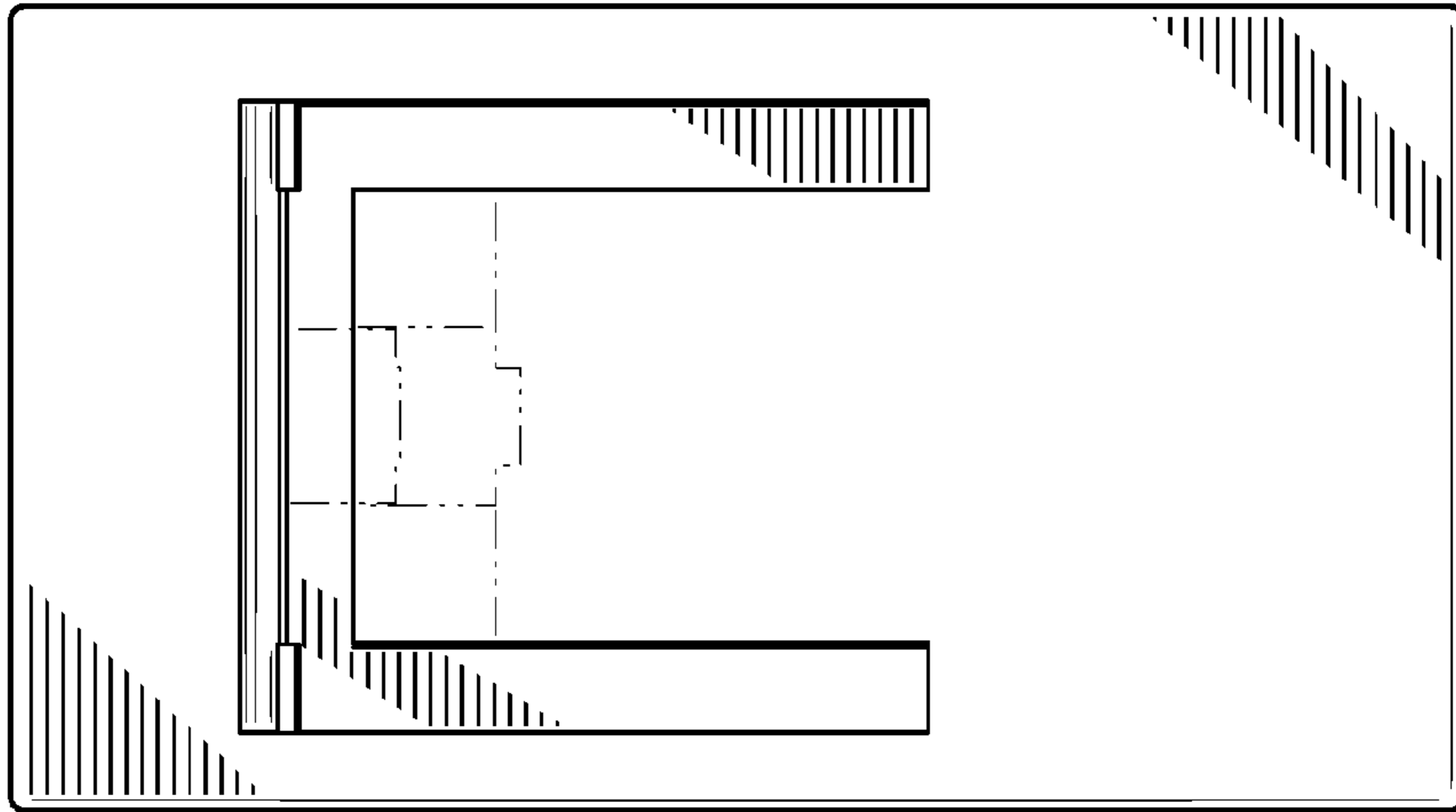


FIG. 7

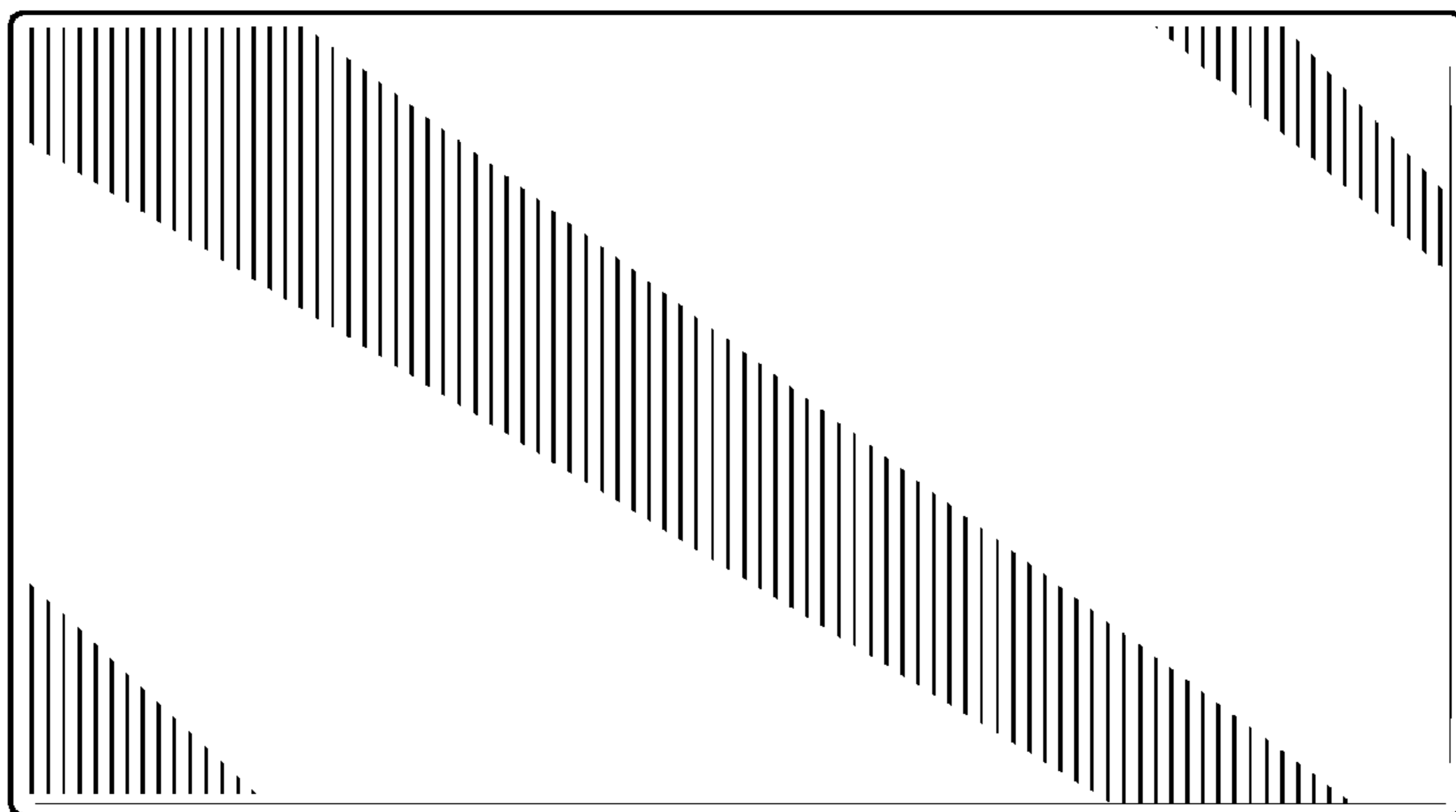


FIG. 8