



US00D623936S

(12) **United States Design Patent**  
**Britt et al.**

(10) **Patent No.:** **US D623,936 S**  
(45) **Date of Patent:** **\*\* Sep. 21, 2010**

(54) **PACKAGING FOR FRAUD DETECTION IN A PORTABLE DEVICE**

1,641,110 A 8/1927 Wulfing  
1,713,153 A 5/1929 Webber  
2,075,529 A 3/1937 Leubrie

(75) Inventors: **Chris Britt**, San Francisco, CA (US);  
**Erin Pursell**, San Francisco, CA (US);  
**Carrie Vriheas**, San Francisco, CA  
(US); **Karen Hyun**, San Mateo, CA  
(US)

(Continued)

*Primary Examiner*—Caron Veynar  
*Assistant Examiner*—Abraham Bahta

(73) Assignee: **Visa U.S.A. Inc.**, San Francisco, CA  
(US)

(74) *Attorney, Agent, or Firm*—May M. Mowzoon; Quarles  
& Brady LLP

(\*\*) Term: **14 Years**

(57) **CLAIM**

(21) Appl. No.: **29/341,919**

The ornamental design for a packaging for fraud detection in  
a portable device, as shown and described.

(22) Filed: **Aug. 14, 2009**

**DESCRIPTION**

**Related U.S. Application Data**

(60) Division of application No. 29/280,548, filed on May  
31, 2007, now Pat. No. Des. 598,280, which is a con-  
tinuation-in-part of application No. 11/738,310, filed  
on Apr. 20, 2007.

FIG. 1 is a perspective front view of packaging having a hinge  
about which a portable device can be pivoted, the view show-  
ing the portable device having been pivoted about the hinge so  
as to be substantially outside of the packaging, where the  
portable device is shown in broken line and is not part of the  
design sought to be patented;

(51) **LOC (9) Cl.** ..... **09-03**

(52) **U.S. Cl.** ..... **D9/420**

(58) **Field of Classification Search** ..... D9/702-715,  
D9/720-722, 414-416, 422, 432-434, 457,  
D9/499; D19/1-3, 9-11; D3/208, 212, 215,  
D3/226, 227, 247, 249, 250, 302, 303; D14/436;  
D20/19, 22, 27, 28, 40, 42-43; D6/407,  
D6/626, 632, 633; 206/232, 307, 308.2,  
206/312, 719, 720, 530, 440, 449, 459.1,  
206/459.5, 461-472; 383/5, 7-10, 25, 26-31,  
383/34, 34.1, 210, 210.1, 43, 46, 47, 48,  
383/61.1; 229/68.01, 68.02, 307-316, 81,  
229/924, 926; 235/380-382.5, 486; 283/110-111,  
283/61, 65, 904

FIG. 2 is a front elevational view of the packaging seen in  
FIG. 1;

FIG. 3 is a rear elevational view of the packaging seen in FIG.  
1, where the portable device is shown with a magnetic stripe  
not part of the design sought to be patented;

FIG. 4 is a right side elevational view of the packaging seen in  
FIG. 1;

FIG. 5 is a left side elevational view of the packaging seen in  
FIG. 1;

FIG. 6 is a top elevational view of the packaging seen in FIG.  
1; and,

FIG. 7 is a bottom elevational view of the packaging seen in  
FIG. 1.

See application file for complete search history.

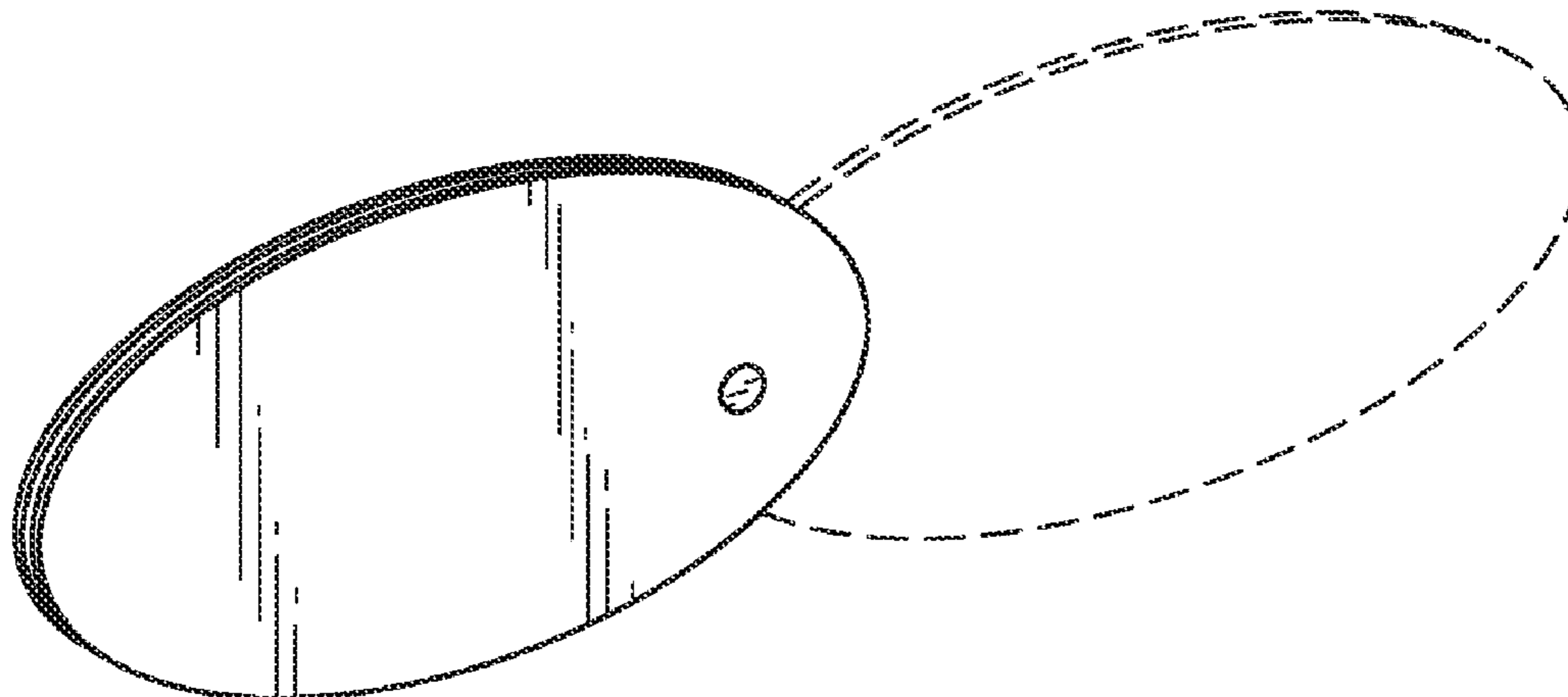
The broken (dashed) lines showing the portable device con-  
tained within the package in FIGS. 1-7 are for illustrative  
purposes only; and form no part of the claimed design.

(56) **References Cited**

**U.S. PATENT DOCUMENTS**

702,100 A 6/1902 Keller

**1 Claim, 2 Drawing Sheets**



# US D623,936 S

Page 2

## U.S. PATENT DOCUMENTS

D154,536 S	7/1949	Forschner	D509,654 S	9/2005	Miller	
2,596,374 A	5/1952	Crapster	6,938,931 B1	9/2005	Davis	
D170,961 S	12/1953	Blish	6,974,157 B1	12/2005	Hammon	
2,896,290 A	7/1959	Salm et al.	7,005,170 B1	2/2006	Simpson et al.	
3,127,089 A	3/1964	Freeman	D517,738 S *	3/2006	Lai .....	D28/82
3,255,869 A	6/1966	Keller	7,028,892 B2	4/2006	Morgan	
3,405,863 A	10/1968	Kugler	7,032,817 B2	4/2006	Blank	
3,966,524 A	6/1976	Lehmacher	7,070,095 B1	7/2006	Gandel et al.	
D270,622 S	9/1983	Hardy	D527,627 S *	9/2006	Liebe .....	D9/428
4,442,936 A	4/1984	Densham	D531,021 S	10/2006	Ashby et al.	
4,461,661 A	7/1984	Fabel	7,207,154 B2	4/2007	Araujo	
4,498,591 A	2/1985	Smith, II	D543,111 S *	5/2007	Höglund .....	D9/504
4,576,316 A	3/1986	Foster	D545,689 S	7/2007	Peel	
4,740,090 A	4/1988	McNamee	D546,705 S	7/2007	Suzuki	
4,742,908 A	5/1988	Thomas, Jr. et al.	7,237,676 B2	7/2007	Celia	
4,890,936 A	1/1990	Cooper	D548,585 S *	8/2007	Okabe et al. ....	D9/420
4,907,359 A	3/1990	Berman	7,278,570 B2	10/2007	McGee et al.	
4,938,347 A	7/1990	Tillman	D556,567 S *	12/2007	Templeton .....	D9/425
D310,849 S	9/1990	Davis	D561,604 S	2/2008	Galor	
5,106,090 A	4/1992	Greenwood	7,404,488 B2	7/2008	Verbruggen at al	
5,271,494 A	12/1993	Odermatt et al.	7,413,079 B2	8/2008	Hermansson et al.	
5,291,995 A	3/1994	von Agris et al.	7,490,720 B2	2/2009	Cole et al.	
5,308,121 A	5/1994	Gunn	D599,655 S *	9/2009	Friebe et al. ....	D9/420
D347,994 S	6/1994	Hammond	D600,124 S *	9/2009	Garcin .....	D9/521
D350,983 S	9/1994	Penniman	D616,295 S *	5/2010	Britt et al. ....	D9/414
5,380,046 A	1/1995	Stephens	D616,296 S *	5/2010	Britt et al. ....	D9/415
5,443,154 A	8/1995	Hustad et al.	D616,298 S *	5/2010	Britt et al. ....	D9/415
D368,428 S	4/1996	Croft	D616,736 S *	6/2010	Britt et al. ....	D9/415
5,609,253 A	3/1997	Goade, Sr.	2003/0042732 A1	3/2003	Wright	
D382,668 S	8/1997	Dolan	2003/0150763 A1	8/2003	Chen	
5,711,469 A	1/1998	Gormley et al.	2003/0188815 A1	10/2003	Hart	
D394,604 S	5/1998	Cammack	2004/0074799 A1	4/2004	Bell et al.	
5,760,381 A	6/1998	Stich et al.	2005/0011776 A1	1/2005	Nagel	
5,842,629 A	12/1998	Sprague et al.	2005/0045503 A1	3/2005	Wong et al.	
5,893,459 A	4/1999	Croft	2006/0091202 A1	5/2006	McInnis	
5,918,909 A	7/1999	Fiala et al.	2006/0151348 A1	7/2006	Willard	
6,108,957 A	8/2000	Zapawa	2006/0255154 A1	11/2006	Newbrough et al.	
6,109,439 A	8/2000	Goade, Sr.	2006/0290501 A1	12/2006	Hammad et al.	
6,116,655 A	9/2000	Thouin et al.	2007/0013521 A1	1/2007	Lindsay et al.	
6,457,863 B1	10/2002	Vassallo	2007/0040030 A1	2/2007	Kranzley et al.	
D474,235 S	5/2003	Haas	2007/0074799 A1	4/2007	Nakane et al.	
6,561,657 B1	5/2003	Schofield	2007/0246527 A1	10/2007	Tang	
D475,918 S	6/2003	Ajootian	2007/0252381 A1	11/2007	Weisz et al.	
6,610,338 B2	8/2003	Tang	2008/0116283 A1	5/2008	Newbrough et al.	
D485,573 S	1/2004	Li	2008/0217401 A1	9/2008	Birkeland et al.	
D494,632 S	8/2004	Gladstone	2008/0223914 A1	9/2008	Choi	
D494,999 S	8/2004	Cook, Jr.	2008/0257956 A1	10/2008	Grannan et al.	
6,827,214 B2	12/2004	Alzner et al.	2008/0257966 A1	10/2008	Britt et al.	

\* cited by examiner

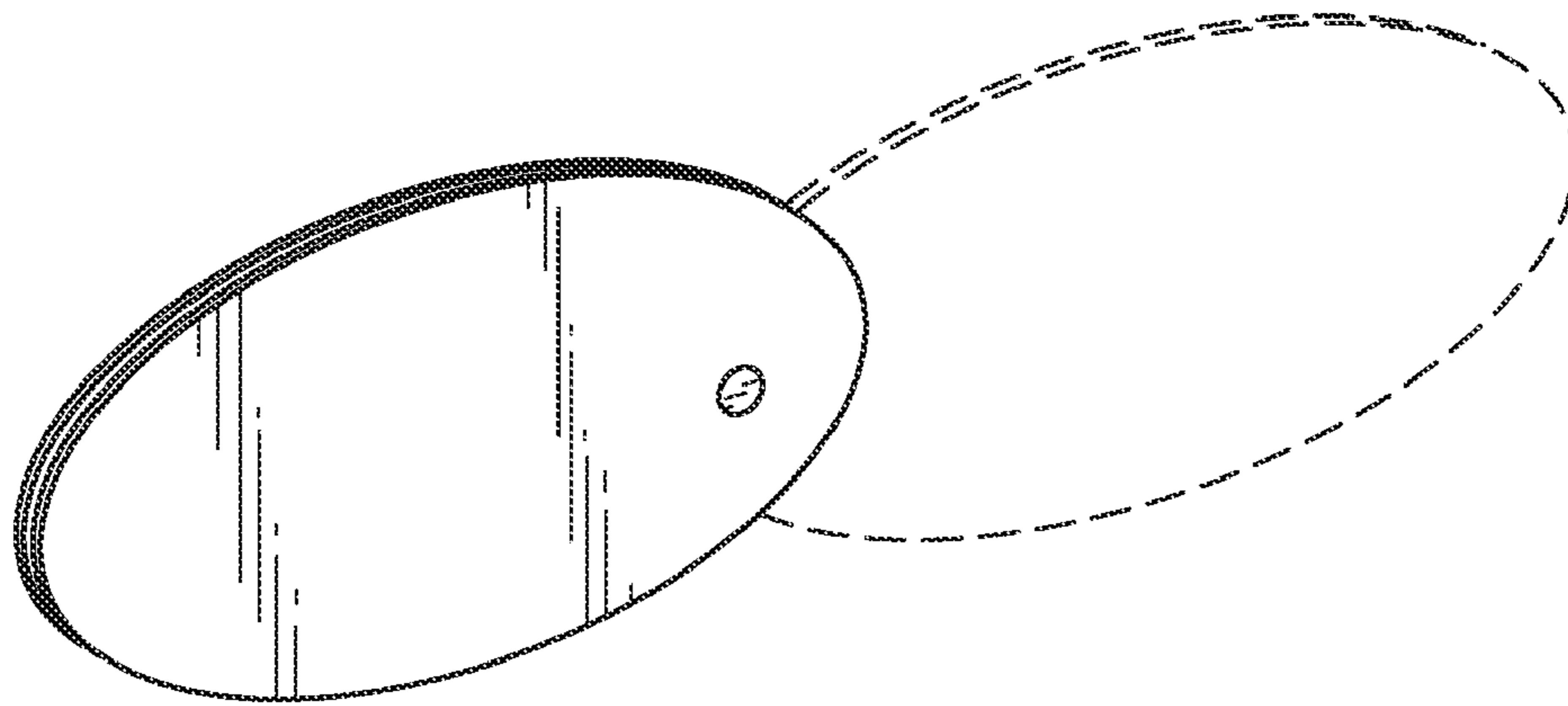


FIG.1

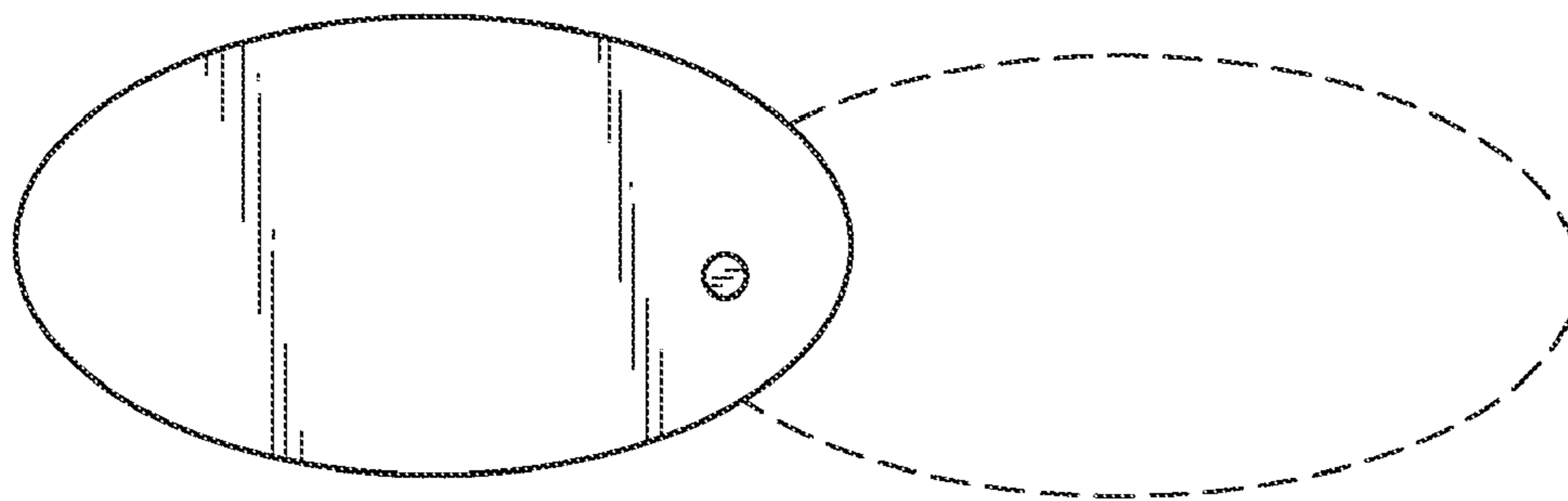


FIG.2

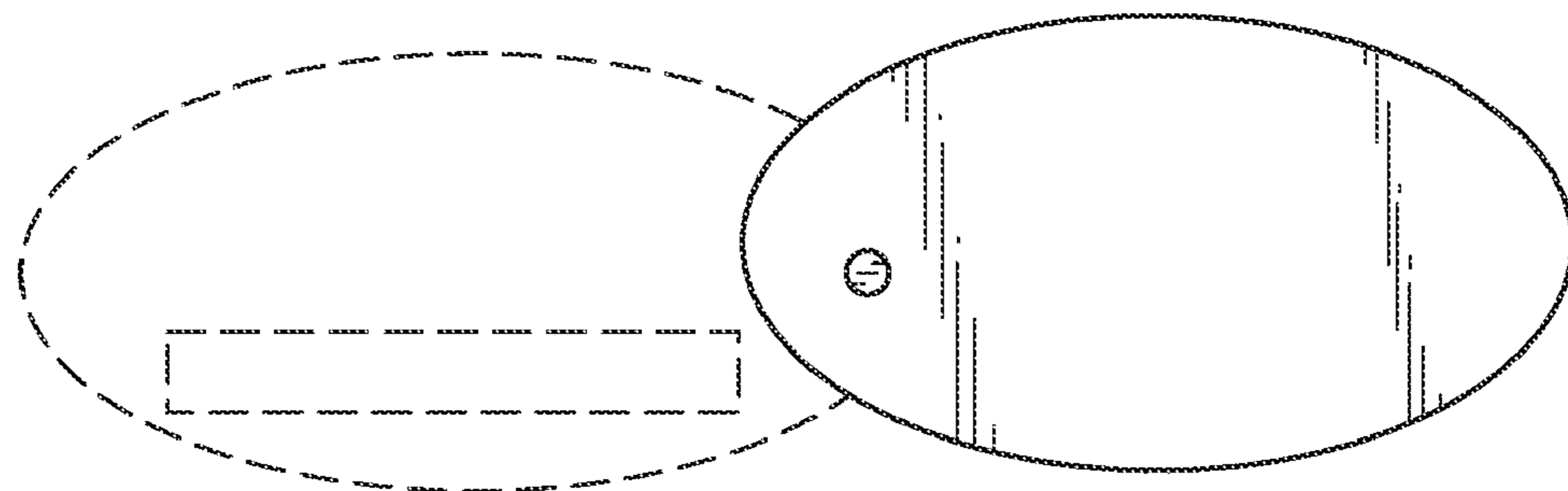


FIG.3



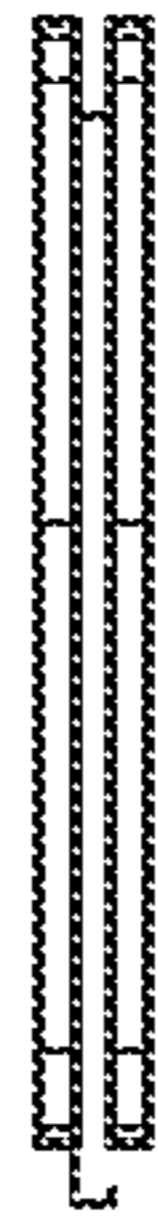


FIG.4



FIG.5

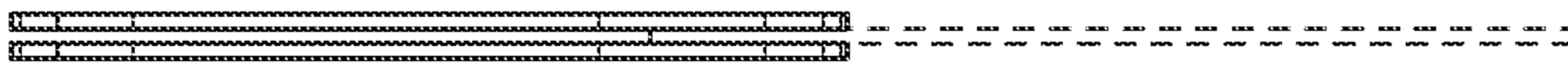


FIG.6

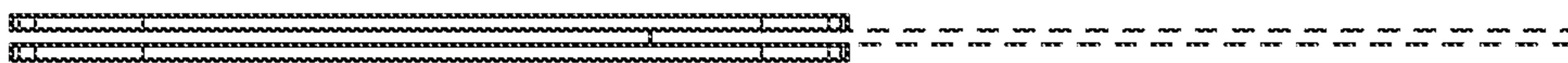


FIG.7