



US00D623934S

(12) **United States Design Patent**
Koenig

(10) **Patent No.:** **US D623,934 S**

(45) **Date of Patent:** **** Sep. 21, 2010**

(54) **ROLLED DOOR STOP FOR OVERHEAD GARAGE DOORS**

(76) Inventor: **Harold Joseph Koenig**, 3725 W. Lunt Ave., Lincolnwood, IL (US) 60712

(**) Term: **14 Years**

(21) Appl. No.: **29/334,919**

(22) Filed: **Apr. 3, 2009**

(51) **LOC (9) Cl.** **08-09**

(52) **U.S. Cl.** **D8/402**

(58) **Field of Classification Search** D8/400-499;
D25/48, 119, 125, 164; 16/181, 182, 379,
16/377, 110, 112, DIG. 8, 85, 137, 375, 86 B,
16/82 R, 82, 86 A; 292/259 R, 251.5, 340,
292/17, DIG. 15; 52/179, 181, 631; 428/124,
428/161, 163, 167, 67, 913

See application file for complete search history.

(56) **References Cited**

U.S. PATENT DOCUMENTS

- 304,128 A * 8/1884 Potts 52/179
- 1,621,669 A 3/1927 Johnson
- 2,376,117 A * 5/1945 Bright et al. 292/343
- D186,068 S 9/1959 Smith
- 2,999,280 A * 9/1961 Miller 49/467
- D220,757 S 5/1971 Smith
- 3,759,000 A * 9/1973 Balzer et al. 52/179
- D231,921 S 6/1974 Rosenbaum
- 4,058,942 A * 11/1977 Naka 52/179
- D252,044 S 6/1979 O'Shaughnessy
- D258,766 S 3/1981 Gold
- 4,313,991 A * 2/1982 Lamb 428/131
- D271,713 S 12/1983 Hicks
- D293,935 S 1/1988 Allen, Jr.
- 4,790,108 A 12/1988 Giguere
- 5,100,109 A * 3/1992 Robbins, III 256/59
- D330,431 S 10/1992 Wang
- D330,772 S 11/1992 Nelson
- D340,534 S * 10/1993 McConnell et al. D25/119

- 5,266,378 A * 11/1993 Stephenson et al. 428/156
- D404,806 S 1/1999 Callahan
- D406,028 S * 2/1999 Montgomery D8/47
- D408,089 S 4/1999 Prodromou
- D408,559 S 4/1999 Rekret
- 5,904,017 A * 5/1999 Glatz et al. 52/287.1
- D417,056 S 11/1999 Marquardt
- D433,660 S * 11/2000 Hough D12/217
- D491,674 S 6/2004 Likens
- D497,009 S 10/2004 Spear
- D518,185 S 3/2006 Barlett
- D538,150 S * 3/2007 Burns et al. D8/402
- D570,501 S * 6/2008 Janesz et al. D25/125
- D571,932 S 6/2008 Van Camp
- D577,445 S 9/2008 Durrant

* cited by examiner

Primary Examiner—Cathron C Brooks

Assistant Examiner—Barbara Fox

(74) *Attorney, Agent, or Firm*—QuickPatents, Inc.; Kevin Prince

(57) **CLAIM**

I claim the ornamental design for a rolled door stop for overhead garage doors, as shown and described.

DESCRIPTION

FIG. 1 is a perspective view of a rolled door stop for overhead garage doors, showing my new design;

FIG. 2 is a front elevational view thereof;

FIG. 3 is a rear elevational view thereof;

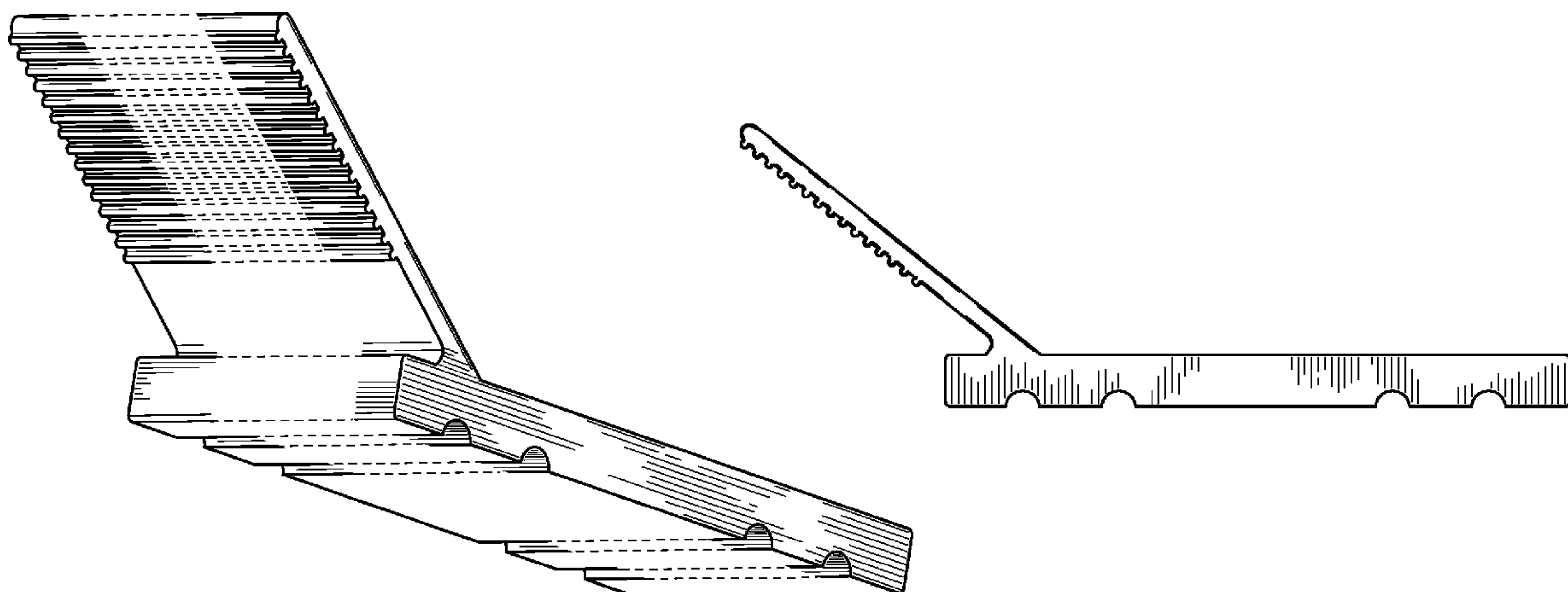
FIG. 4 is a left-side elevational view thereof, the right-side elevational view being a mirror image thereof;

FIG. 5 is a top plan view thereof; and,

FIG. 6 is a bottom plan view thereof.

The broken lines in FIGS. 1-3, 5 and 6 indicate that no particular length of the rolled doorstop for overhead garage doors is claimed, and form no part of the claimed design.

1 Claim, 2 Drawing Sheets



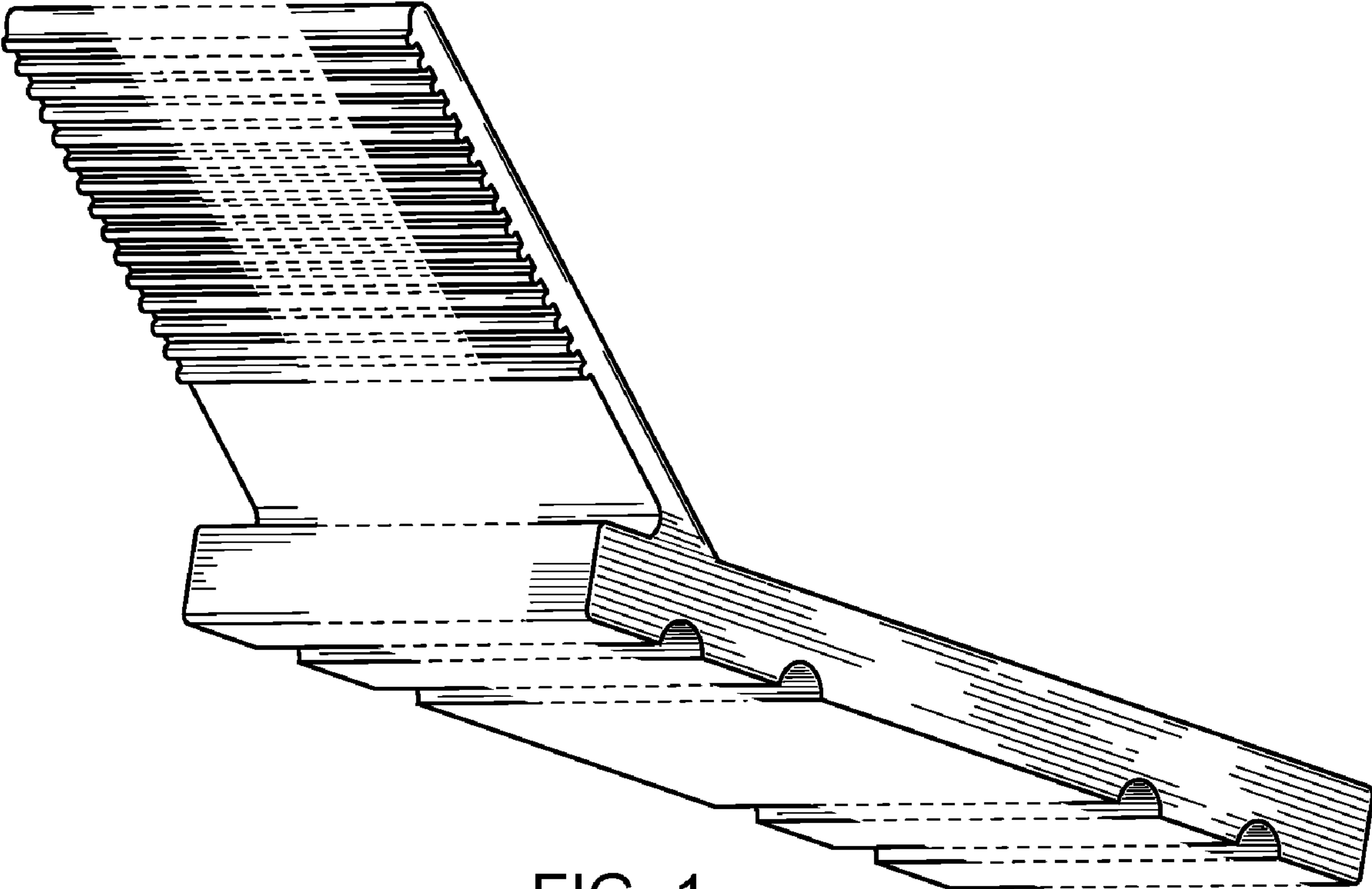


FIG. 1

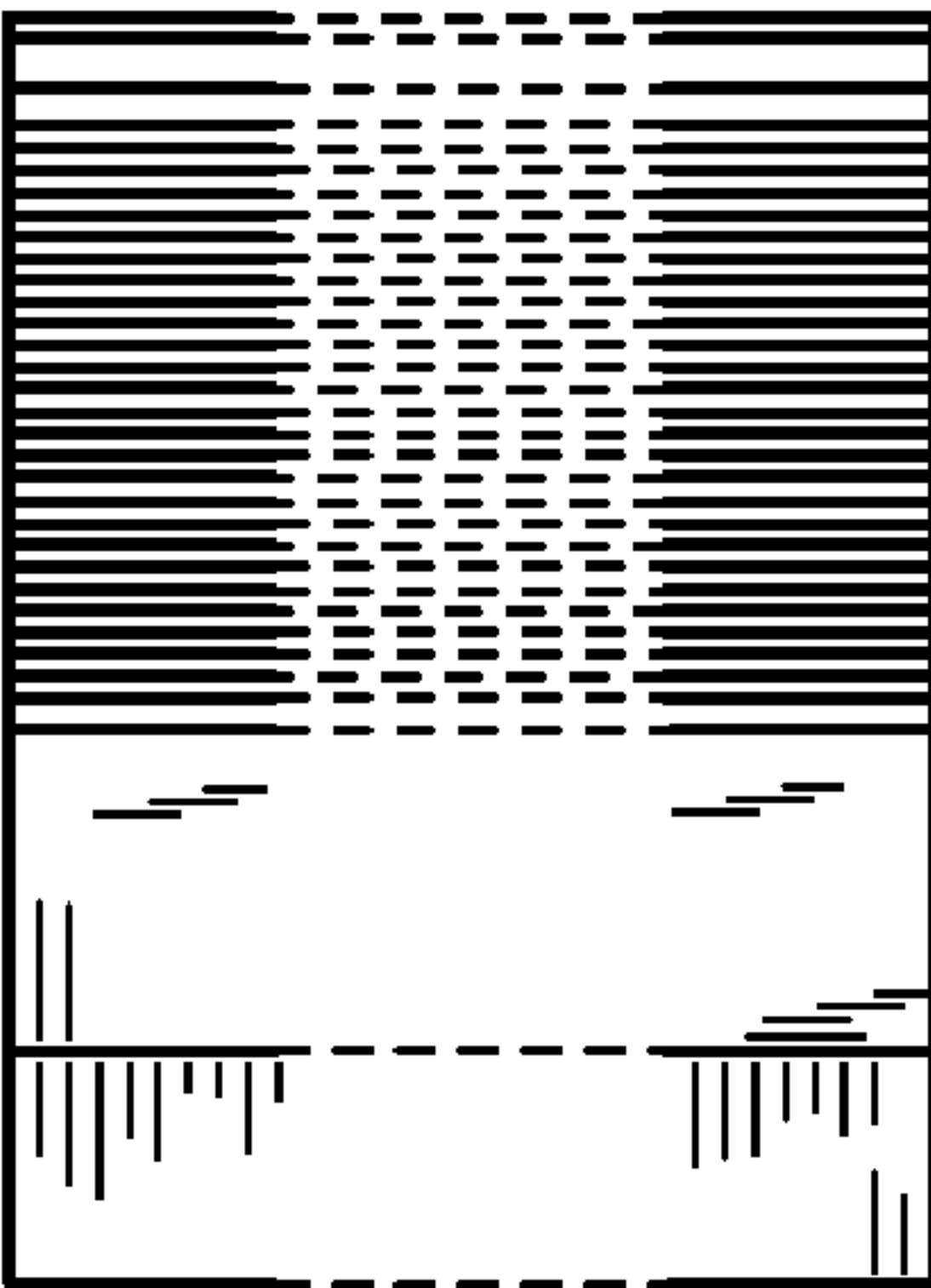


FIG. 2

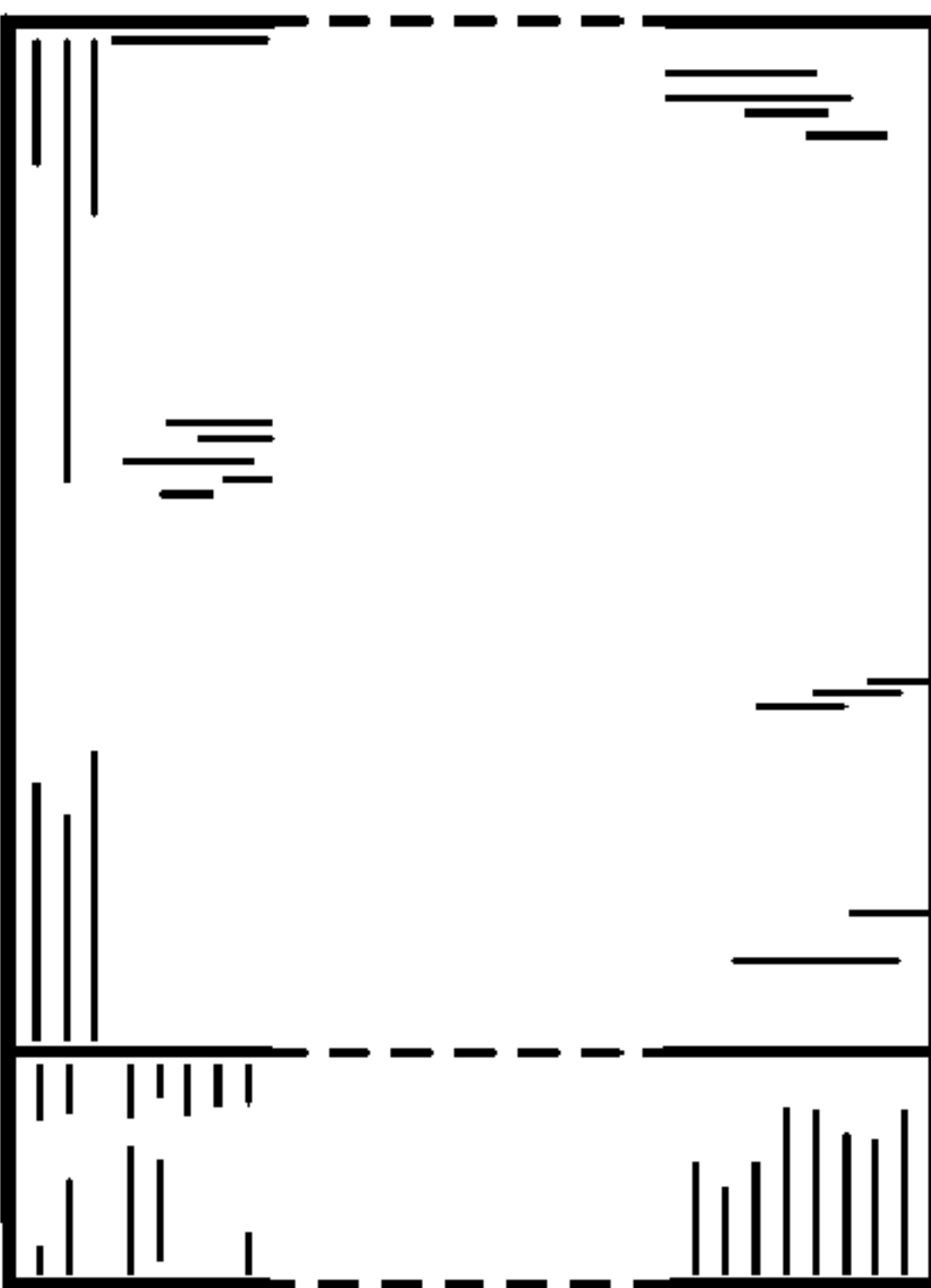


FIG. 3

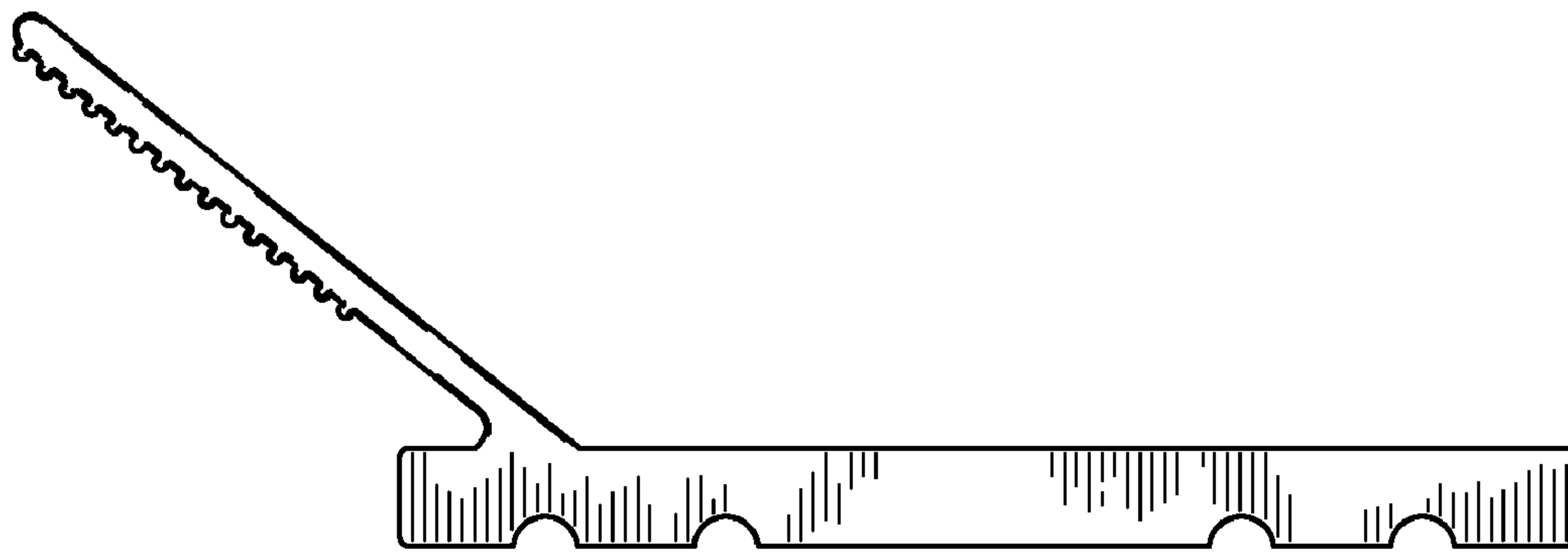


FIG. 4



FIG. 5

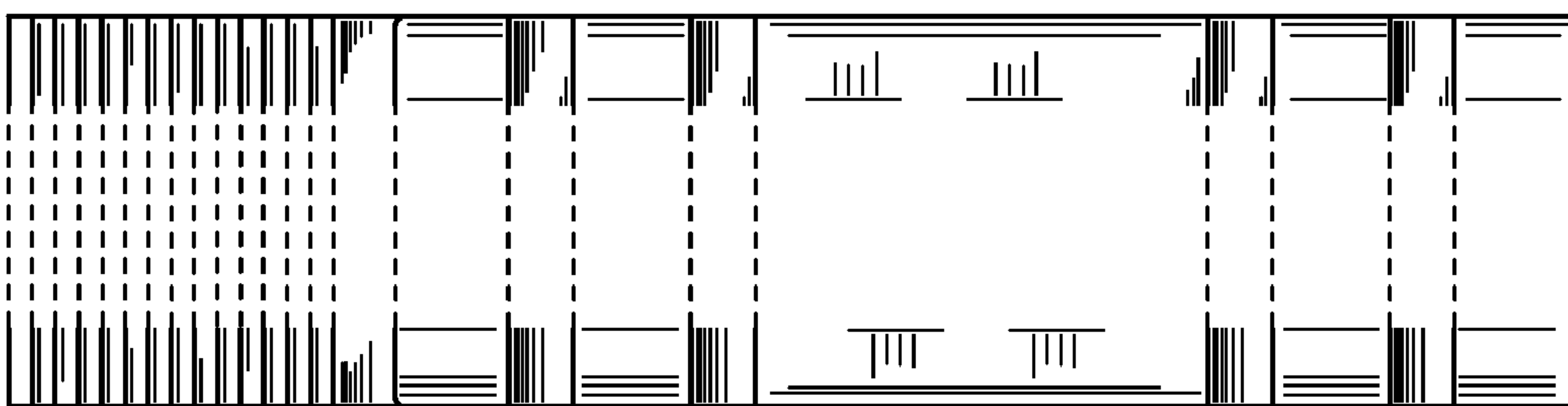


FIG. 6