



US00D623933S

(12) **United States Design Patent**
Mallin et al.

(10) **Patent No.:** **US D623,933 S**

(45) **Date of Patent:** **** Sep. 21, 2010**

(54) **CLIP**

(75) Inventors: **Thomas Edward Mallin**, Grayslake, IL (US); **Edwin D. Manalang**, Burbank, IL (US)

(73) Assignee: **KMC Holdings LLC**, Northbrook, IL (US)

(**) Term: **14 Years**

(21) Appl. No.: **29/318,889**

(22) Filed: **May 30, 2008**

(51) **LOC (9) Cl.** **08-08**

(52) **U.S. Cl.** **D8/394**

(58) **Field of Classification Search** D8/354,
D8/356, 371, 394-396; D19/65, 86; D24/128;
248/74.2, 215, 227.1, 49, 300, 301, 316.7,
248/51, 489; 24/570, 3.12; D32/61; D11/78.1
See application file for complete search history.

(56) **References Cited**

U.S. PATENT DOCUMENTS

D303,351 S * 9/1989 Weinerman et al. D8/344
D303,754 S * 10/1989 Weinerman et al. D8/344
5,079,808 A * 1/1992 Brown 24/67.7

D346,372 S * 4/1994 Abbott D8/339
D375,976 S * 11/1996 Marguerie D19/65

* cited by examiner

Primary Examiner—Cathron C Brooks

Assistant Examiner—John Windmuller

(74) *Attorney, Agent, or Firm*—Economou IP Law; Vangelis Economou

(57) **CLAIM**

The ornamental design for a clip, substantially as shown.

DESCRIPTION

FIG. 1 is a front perspective view of a clip according to the present invention;

FIG. 2 is a rear perspective view of a clip according to the present invention;

FIG. 3 is a top plan view thereof;

FIG. 4 is a bottom plan view thereof.

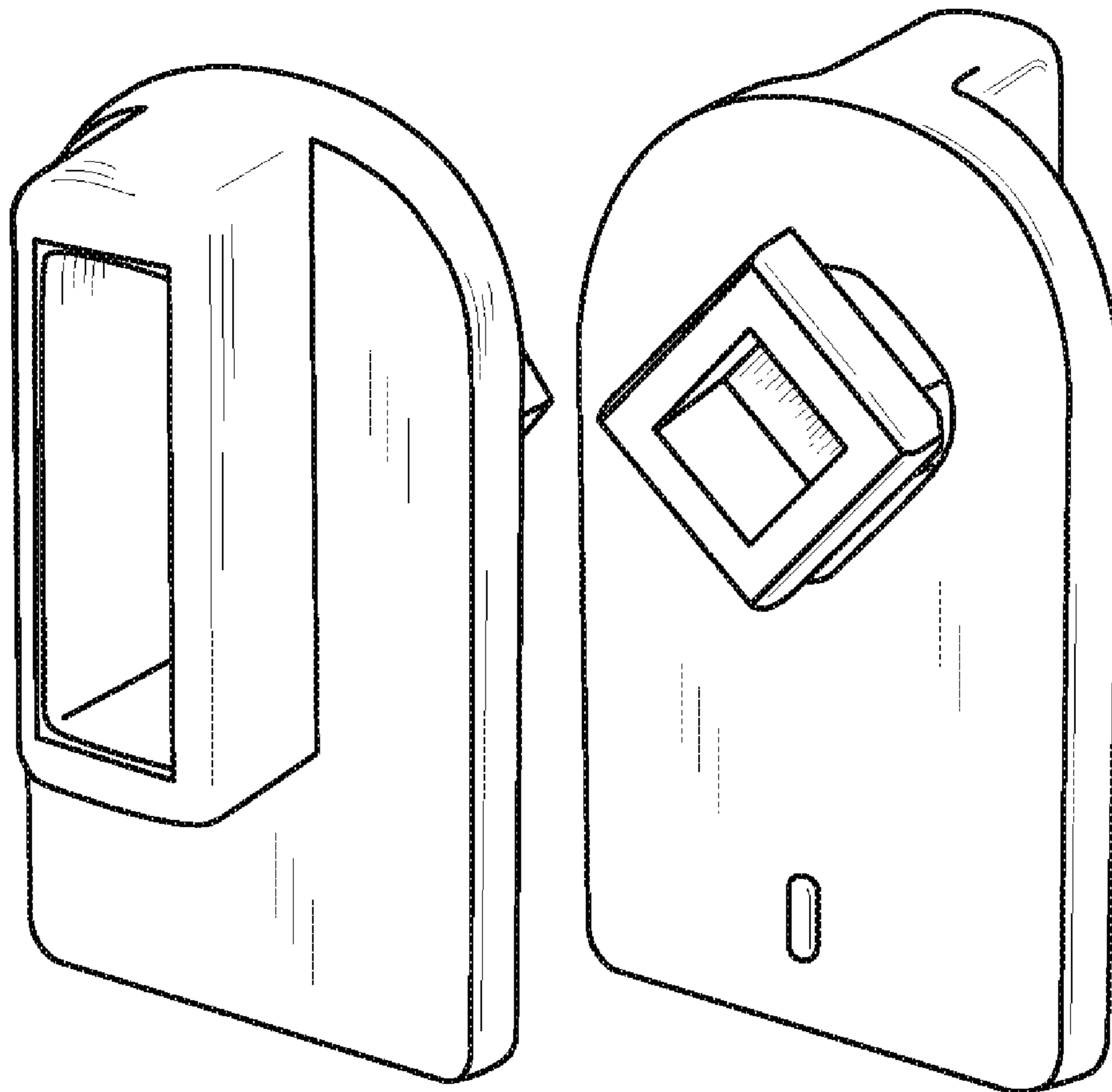
FIG. 5 is a front elevational view thereof;

FIG. 6 is a rear view thereof;

FIG. 7 is a right side view thereof; and,

FIG. 8 is a left side view thereof.

1 Claim, 2 Drawing Sheets



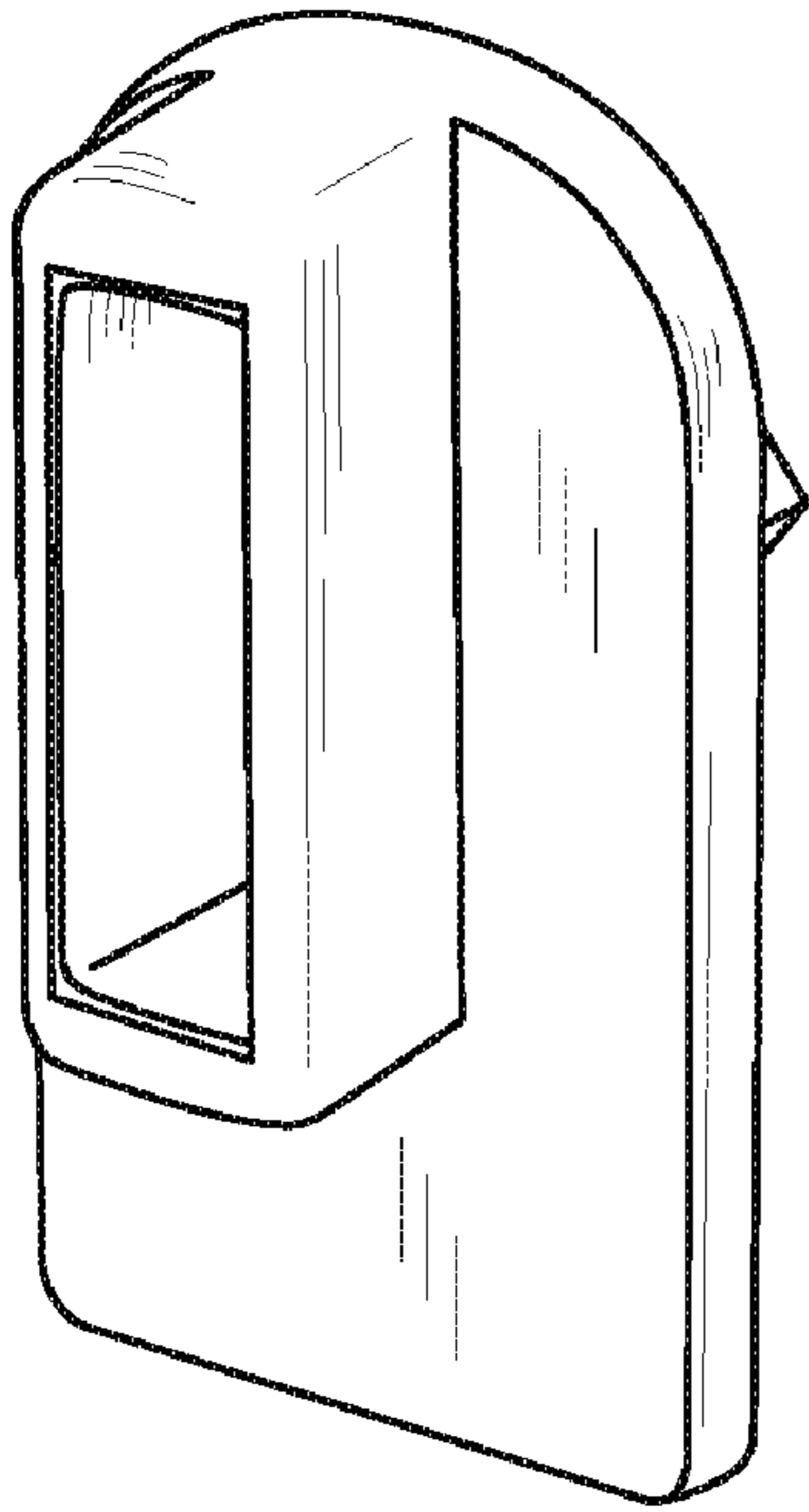


FIG. 1

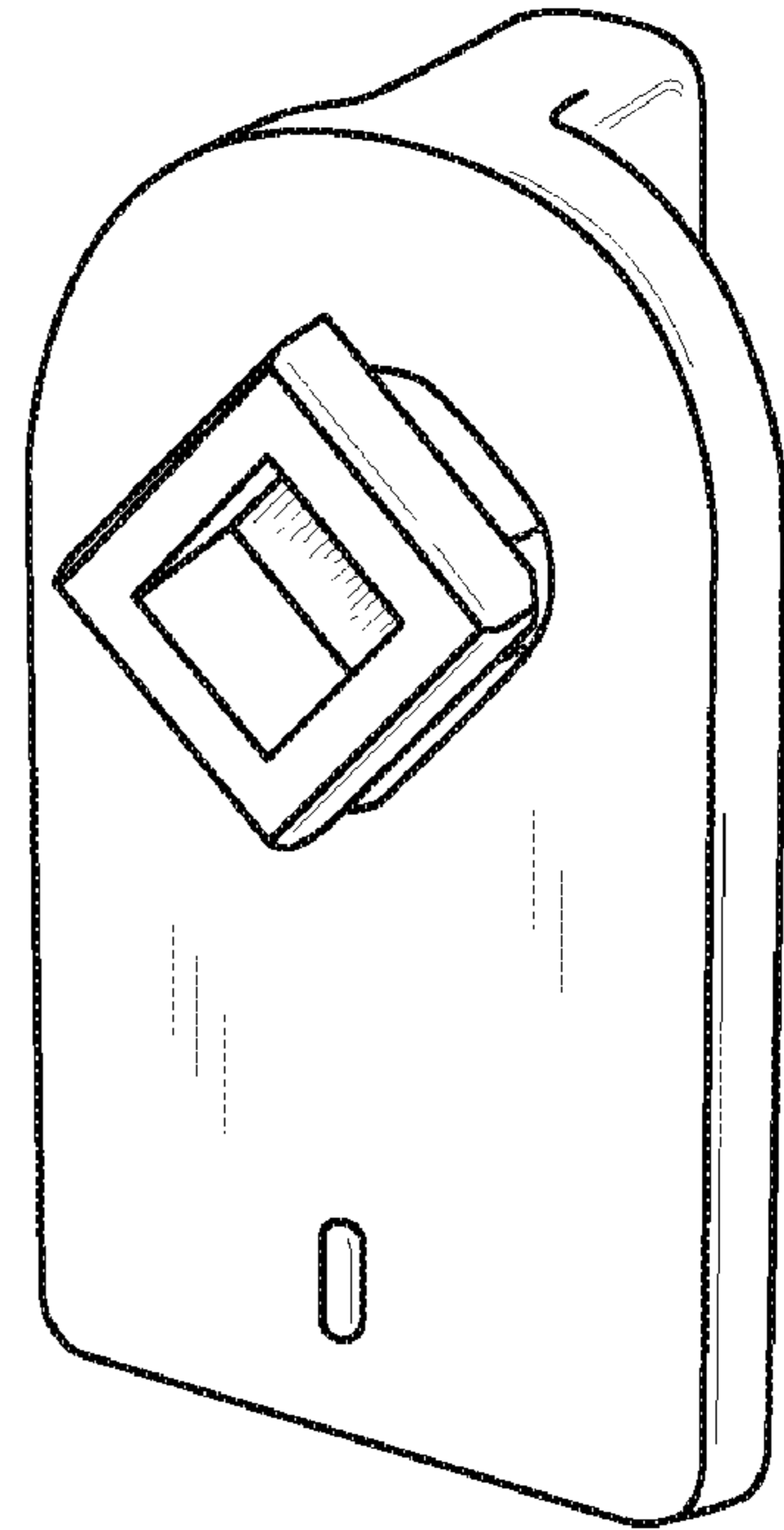


FIG. 2

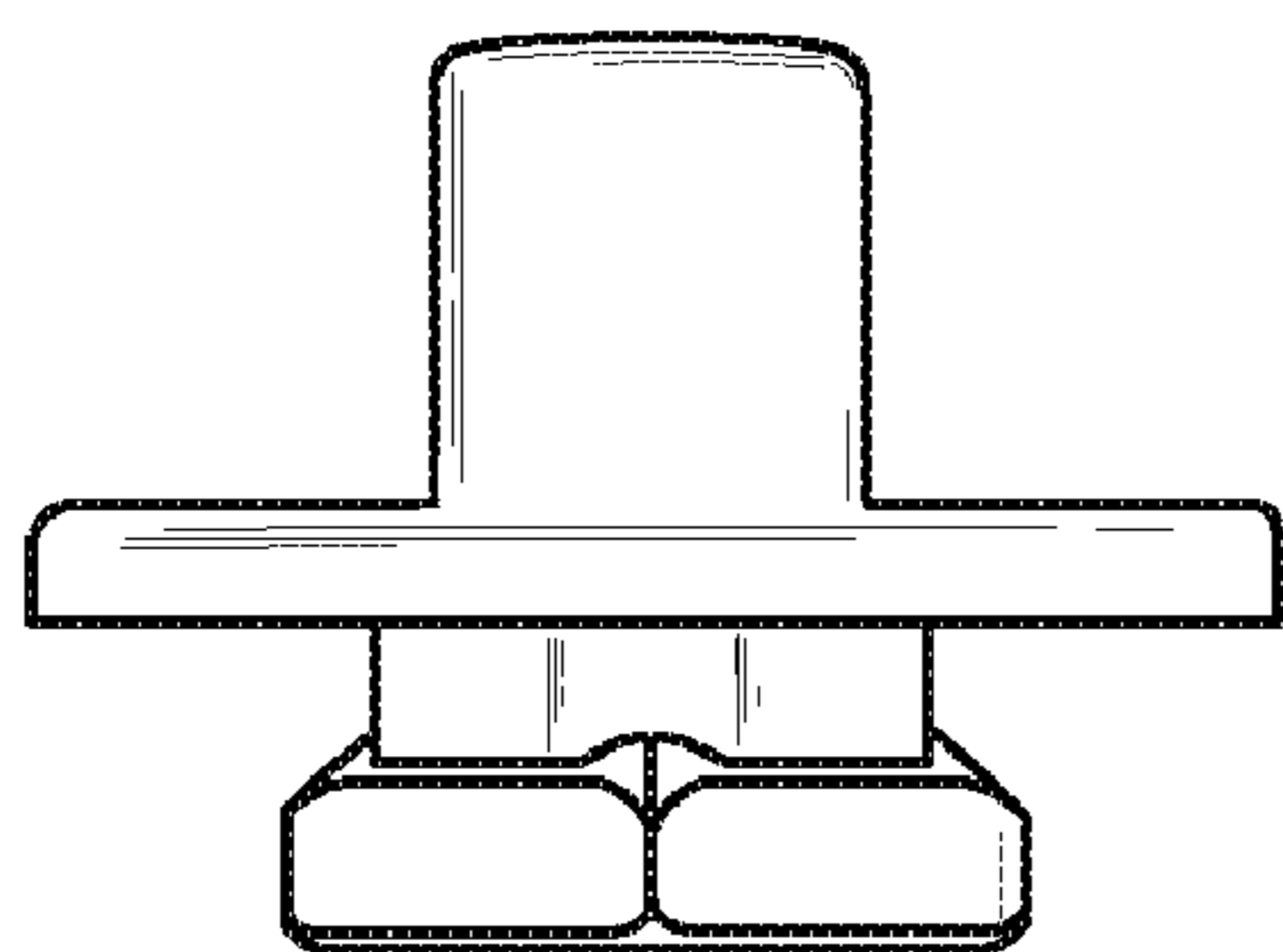


FIG. 3

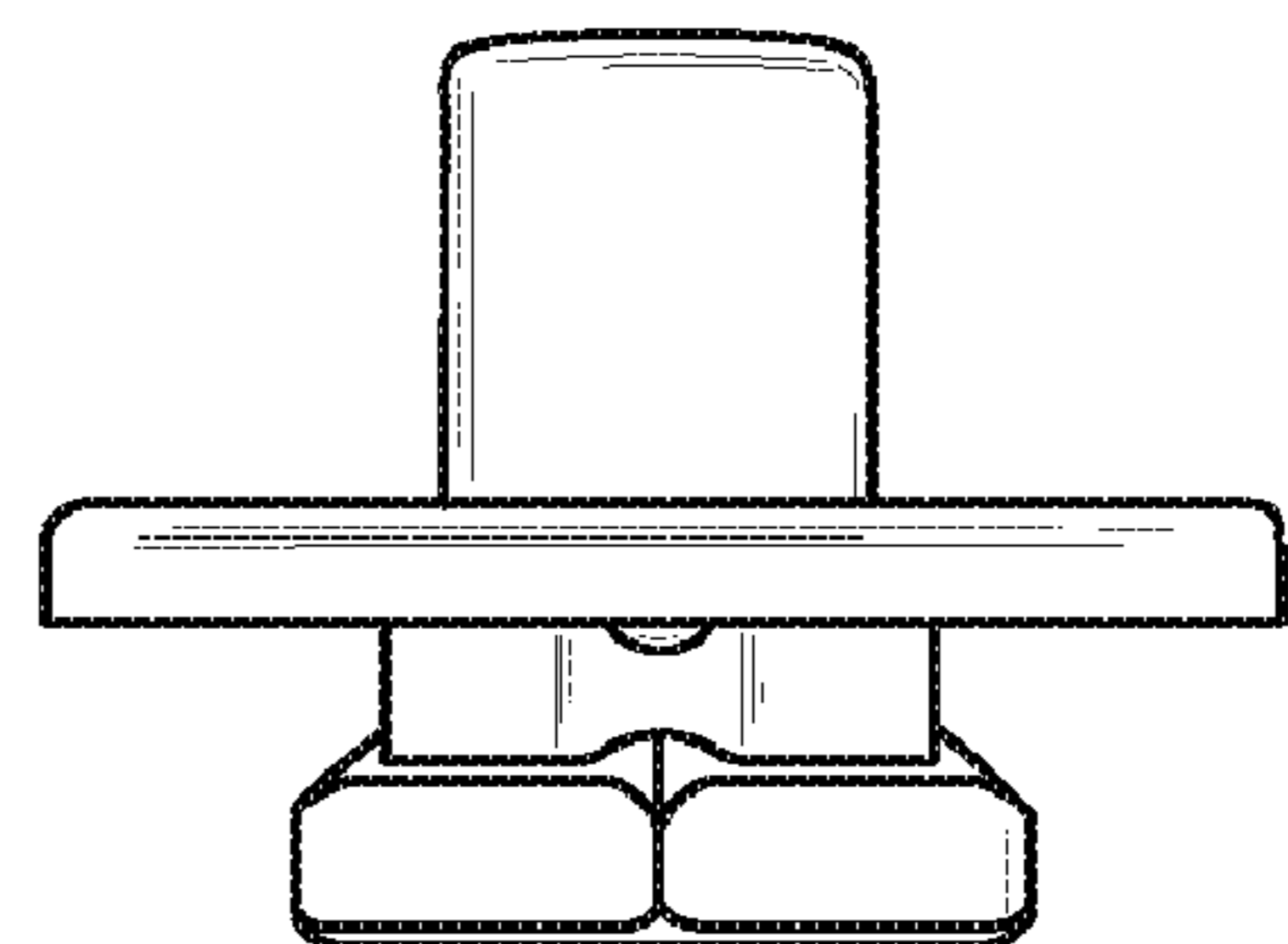


FIG. 4

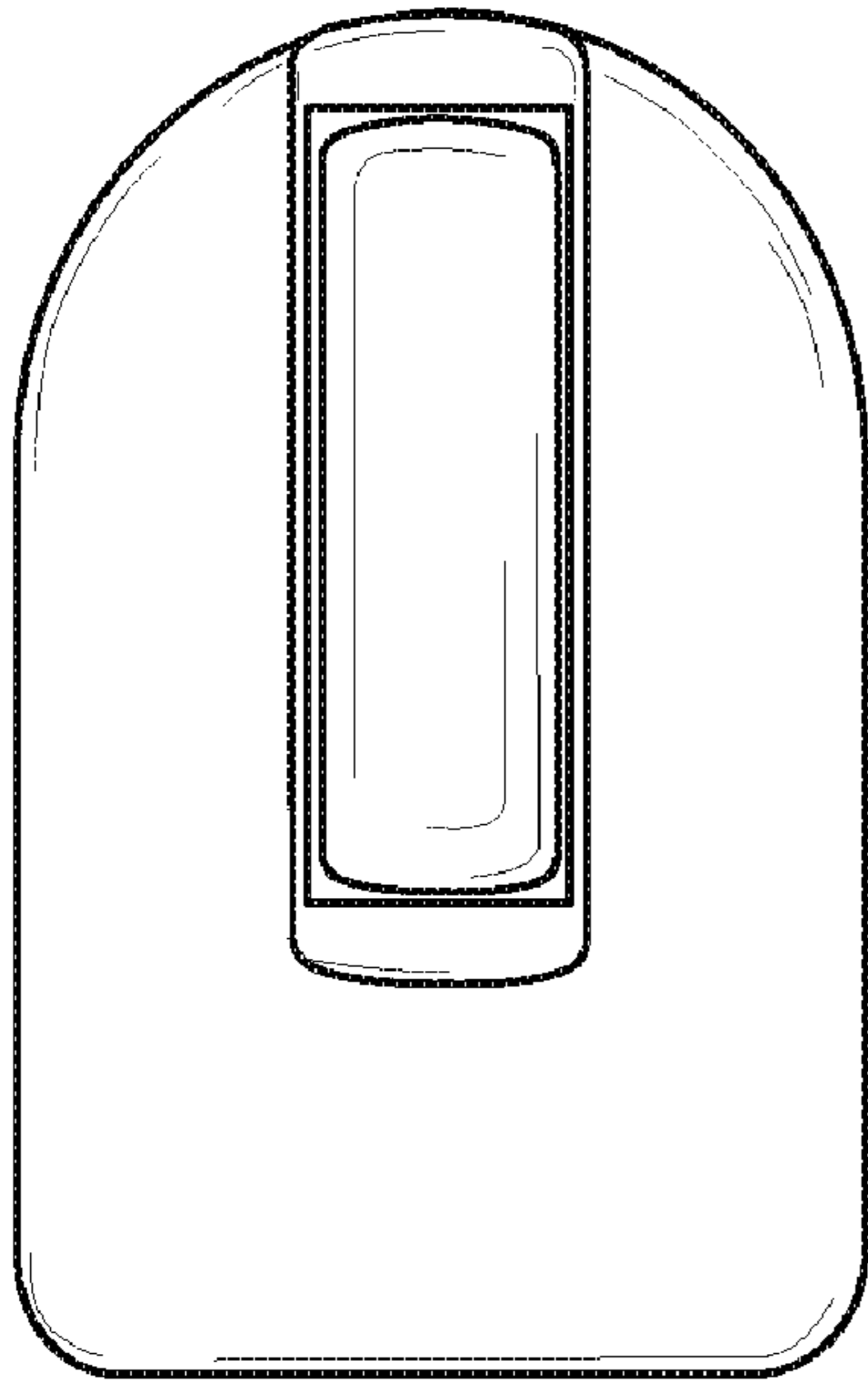


FIG. 5

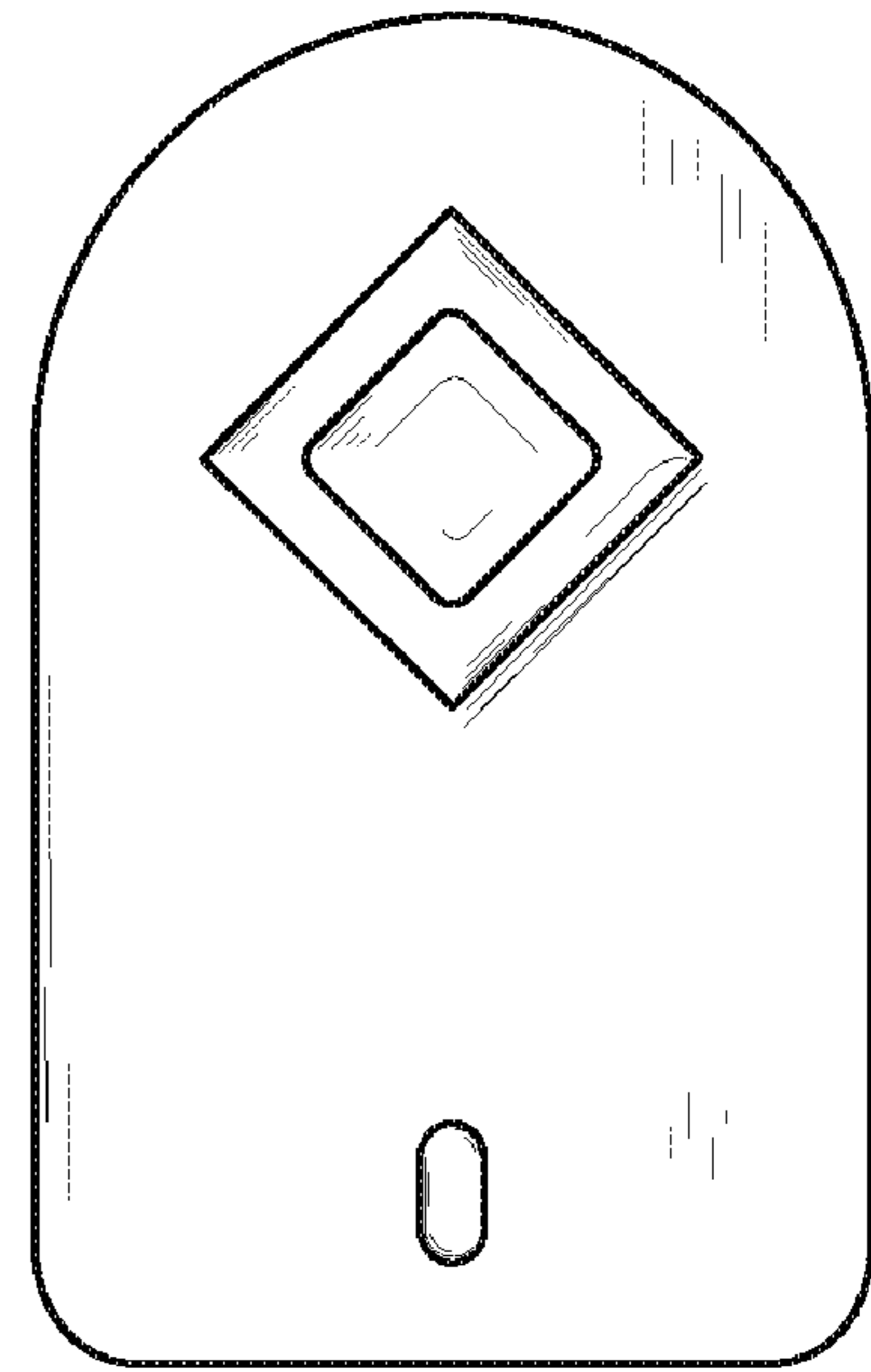


FIG. 6

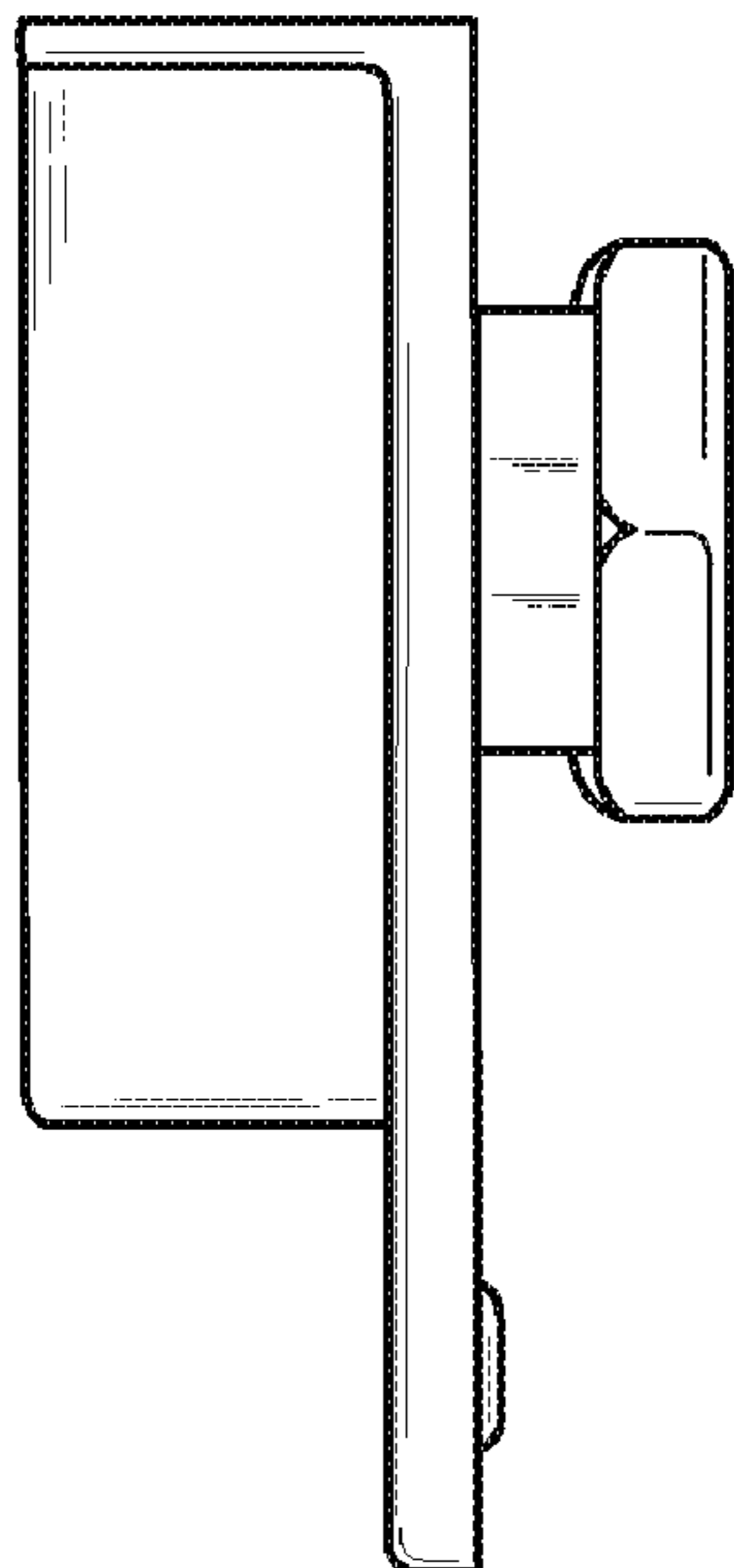


FIG. 7

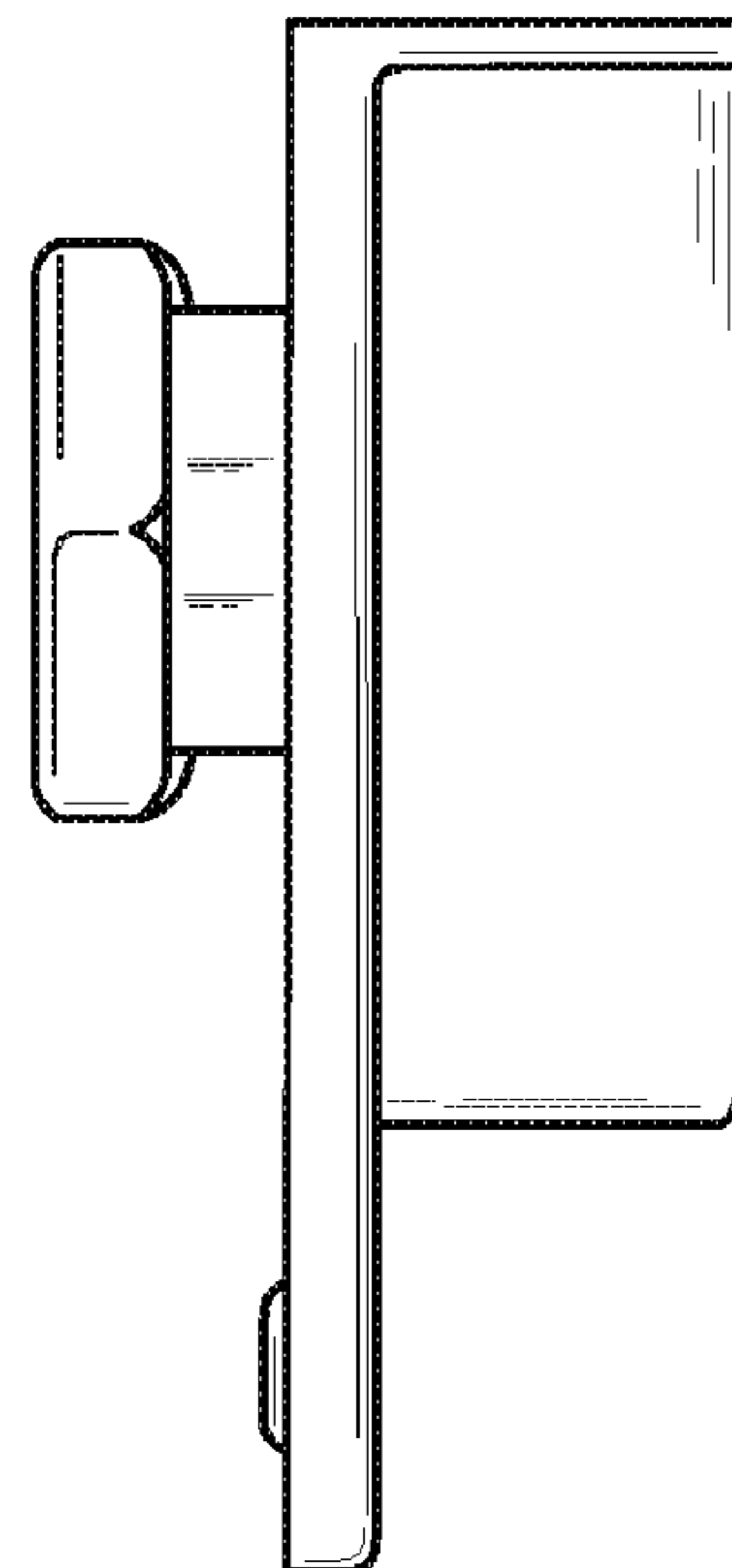


FIG. 8