



US00D623932S

(12) **United States Design Patent**
Austro

(10) **Patent No.:** **US D623,932 S**

(45) **Date of Patent:** **** Sep. 21, 2010**

(54) **CONNECTOR FOR SHEET PILING**

(75) Inventor: **James Bryan Austro**, Wharton, NJ (US)

(73) Assignee: **Skyline Steel, LLC**, Parsippany, NJ (US)

(**) Term: **14 Years**

(21) Appl. No.: **29/355,886**

(22) Filed: **Feb. 16, 2010**

(51) **LOC (9) Cl.** **08-08**

(52) **U.S. Cl.** **D8/382**

(58) **Field of Classification Search** D8/382,
D8/394, 395; D25/119; 403/279, 278; 24/573.09,
24/346, 370, 598.5

See application file for complete search history.

(56) **References Cited**

U.S. PATENT DOCUMENTS

6,282,762	B1 *	9/2001	Wall	24/573.09
D471,083	S *	3/2003	Wall	D8/382
D471,793	S *	3/2003	Wall	D8/382
D471,794	S *	3/2003	Wall	D8/382
D479,798	S *	9/2003	Wall	D8/382
D479,983	S *	9/2003	Wall	D8/382
D525,862	S *	8/2006	Wall	D8/382
D541,638	S *	5/2007	Heindl	D8/382
D541,642	S *	5/2007	Heindl	D8/382
D542,642	S *	5/2007	Heindl	D8/382

D542,643	S *	5/2007	Heindl	D8/382
D543,099	S *	5/2007	Heindl	D8/382
D543,100	S *	5/2007	Heindl	D8/382
D543,101	S *	5/2007	Heindl	D8/382
D543,444	S *	5/2007	Heindl	D8/382
D543,841	S *	6/2007	Heindl et al.	D8/382
7,413,386	B2 *	8/2008	Heindl et al.	405/279
7,527,456	B2 *	5/2009	Heindl et al.	405/279
7,566,190	B2 *	7/2009	Heindl	405/279

* cited by examiner

Primary Examiner—Holly H Baynham

Assistant Examiner—Sheryl Lane

(74) *Attorney, Agent, or Firm*—Hoffmann & Baron, LLP

(57) **CLAIM**

The ornamental design for a connector for sheet piling, as shown and described.

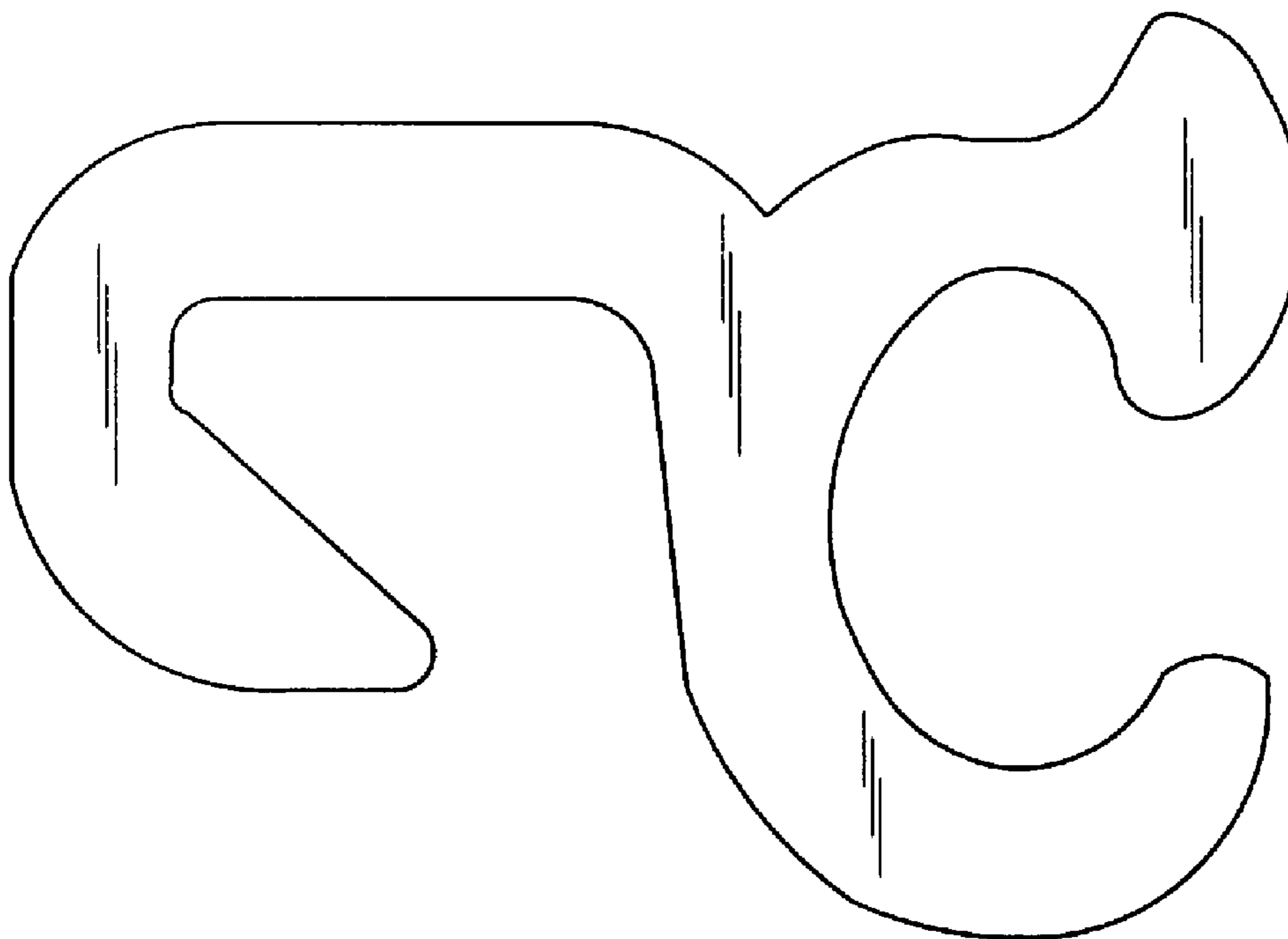
DESCRIPTION

FIG. 1 is an end view of the connector for sheet piling.

FIG. 2 is a perspective view of the first side of the connector for sheet piling. The separation of the two sections of the connector indicates indeterminate length; and,

FIG. 3 is a perspective view of the second side of the connector for sheet piling. The separation of the two sections of the connector indicates indeterminate length.

1 Claim, 2 Drawing Sheets



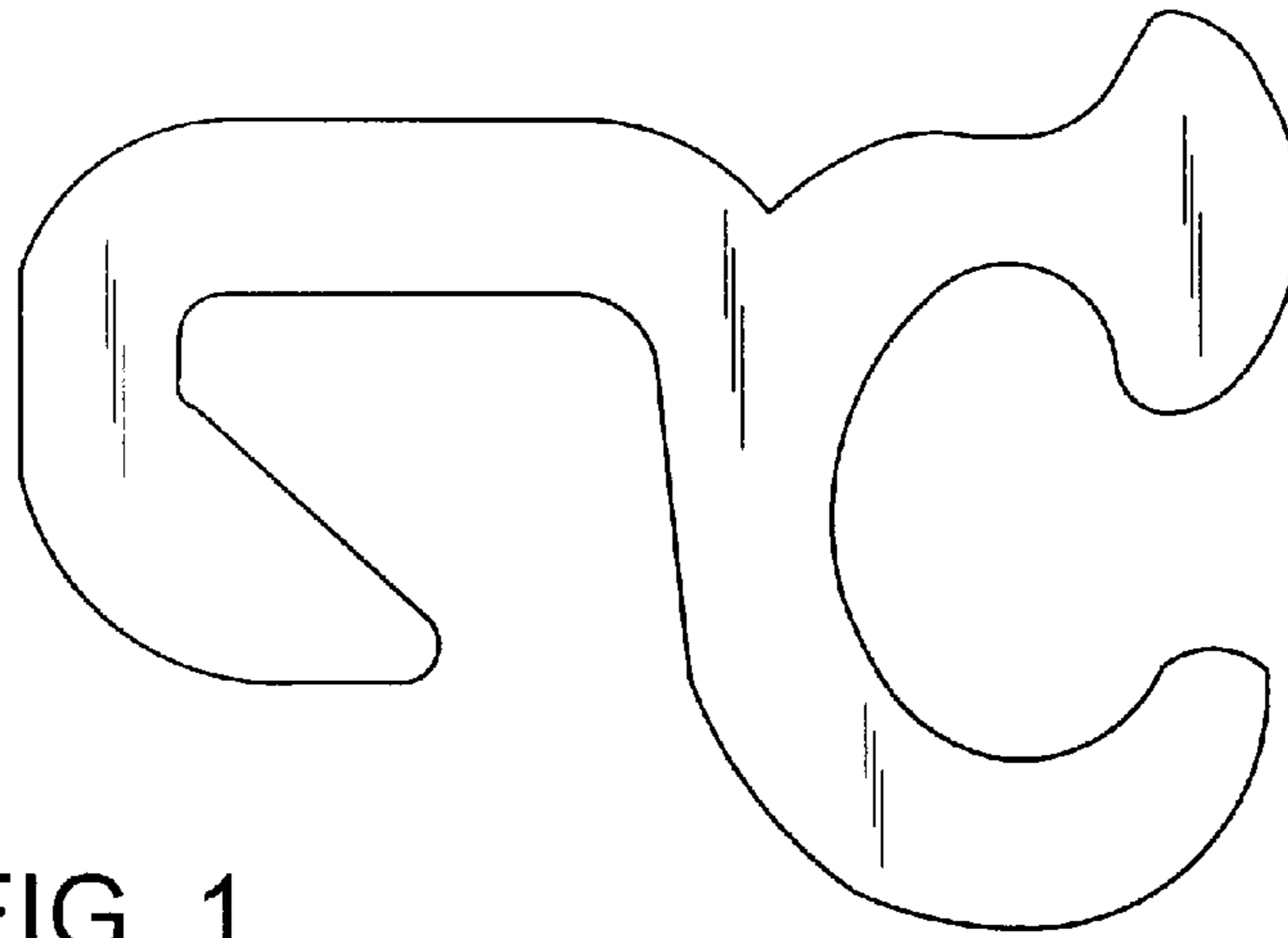


FIG. 1

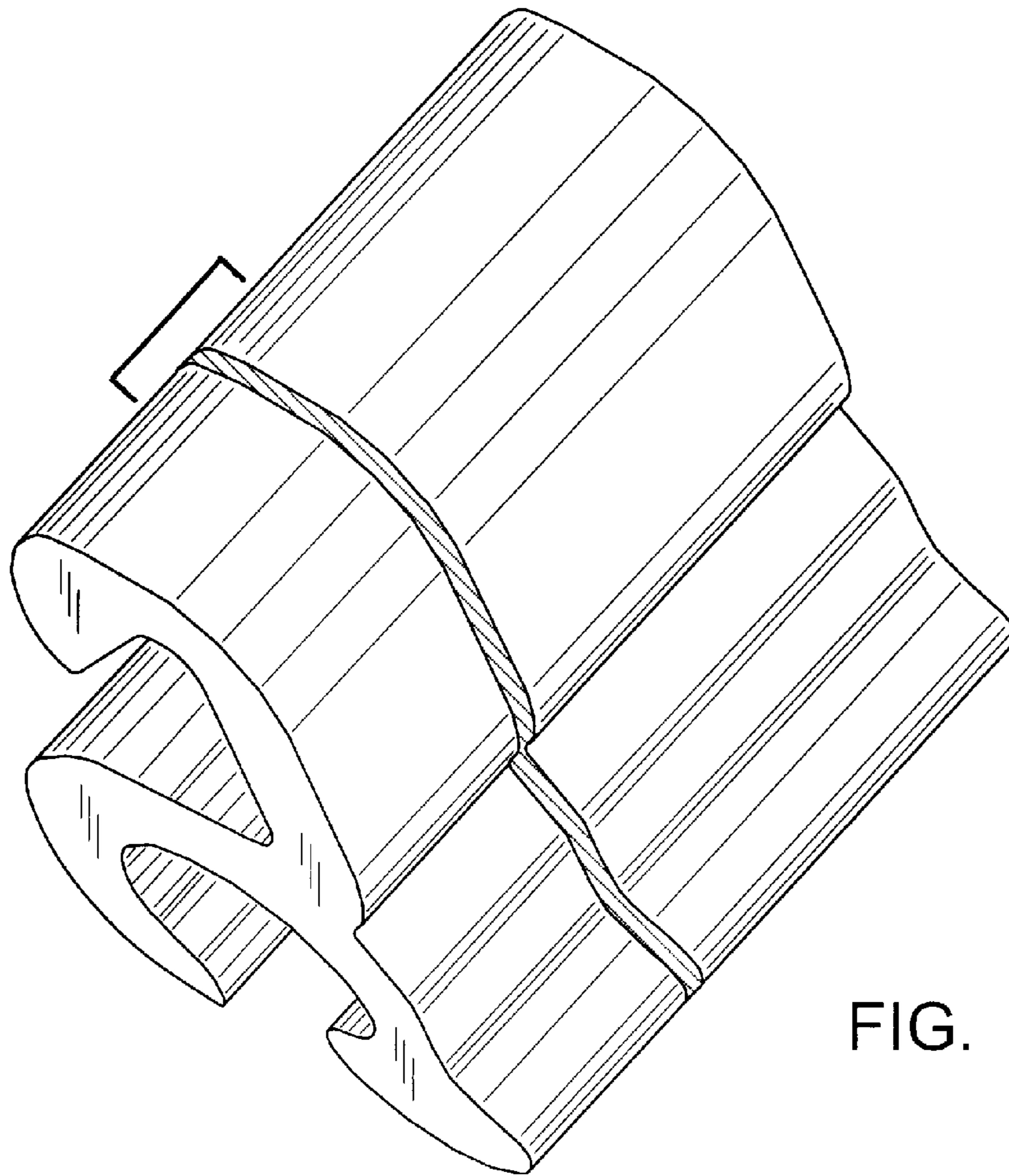


FIG. 2

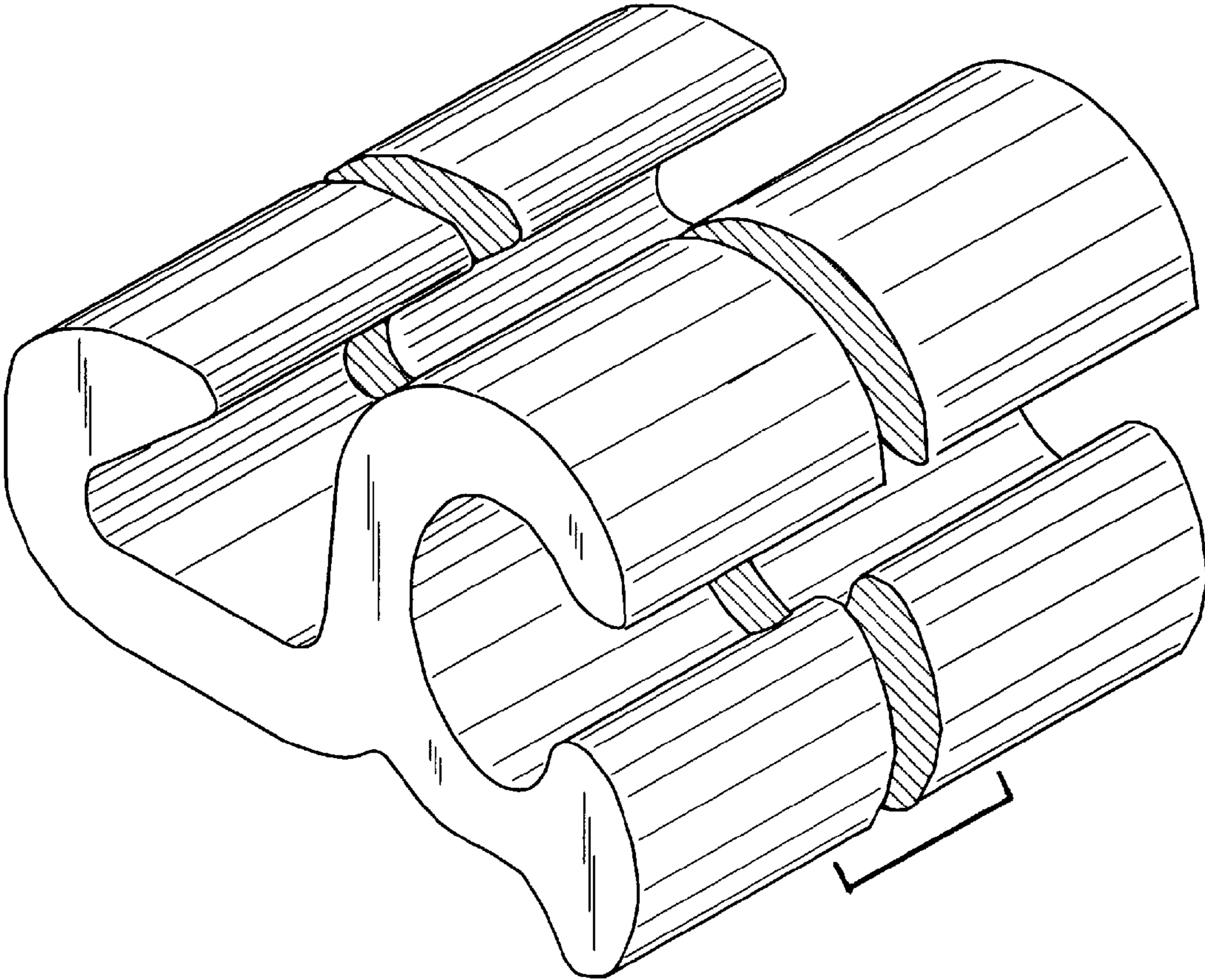


FIG. 3