



US00D623931S

(12) **United States Design Patent**
Austro

(10) **Patent No.:** **US D623,931 S**

(45) **Date of Patent:** **** Sep. 21, 2010**

(54) **CONNECTOR FOR SHEET PILING**

(75) **Inventor:** **James Bryan Austro**, Wharton, NJ (US)

(73) **Assignee:** **Skyline Steel, LLC**, Parsippany, NJ (US)

(**) **Term:** **14 Years**

(21) **Appl. No.:** **29/351,893**

(22) **Filed:** **Dec. 14, 2009**

(51) **LOC (9) Cl.** **08-08**

(52) **U.S. Cl.** **D8/382**

(58) **Field of Classification Search** D8/382,
D8/394, 395; D25/119; 403/279, 278; 24/573.09,
24/346, 370, 598.5

See application file for complete search history.

(56) **References Cited**

U.S. PATENT DOCUMENTS

968,450	A	8/1910	Conkling et al.	
1,098,077	A	5/1914	Annison	
2,128,428	A	8/1938	Murray, Jr.	
3,688,508	A	9/1972	Taylor	
D463,578	S	9/2002	Wall	
D464,738	S	10/2002	Wall	
D465,580	S	11/2002	Wall	
D472,455	S	4/2003	Wall	
D517,905	S	3/2006	Wall	
D530,190	S *	10/2006	Wall	D8/382
D540,660	S	4/2007	Heindl	
D540,661	S	4/2007	Heindl	
D541,639	S	5/2007	Heindl	
D541,640	S	5/2007	Heindl	
D541,641	S	5/2007	Heindl	
D542,633	S *	5/2007	Heindl	D8/382
D542,634	S	5/2007	Heindl	
D542,635	S	5/2007	Heindl	

D542,636	S	5/2007	Heindl
D542,637	S	5/2007	Heindl
D542,638	S	5/2007	Heindl
D542,639	S	5/2007	Heindl
D542,640	S	5/2007	Heindl
D542,641	S	5/2007	Heindl
D542,643	S	5/2007	Heindl
D543,097	S	5/2007	Heindl
D543,098	S	5/2007	Heindl
D543,100	S	5/2007	Heindl
2002/0102131	A1	8/2002	Wall
2005/0238443	A1	10/2005	Heindl et al.
2008/0219776	A1	9/2008	Heindl et al.
2008/0310924	A1	12/2008	Heindl

FOREIGN PATENT DOCUMENTS

DE 3907348 A1 9/1990

* cited by examiner

Primary Examiner—Holly H Baynham

Assistant Examiner—Sheryl Lane

(74) *Attorney, Agent, or Firm*—Hoffman & Baron, LLP

(57) **CLAIM**

The ornamental design for a connector for sheet piling, as shown and described.

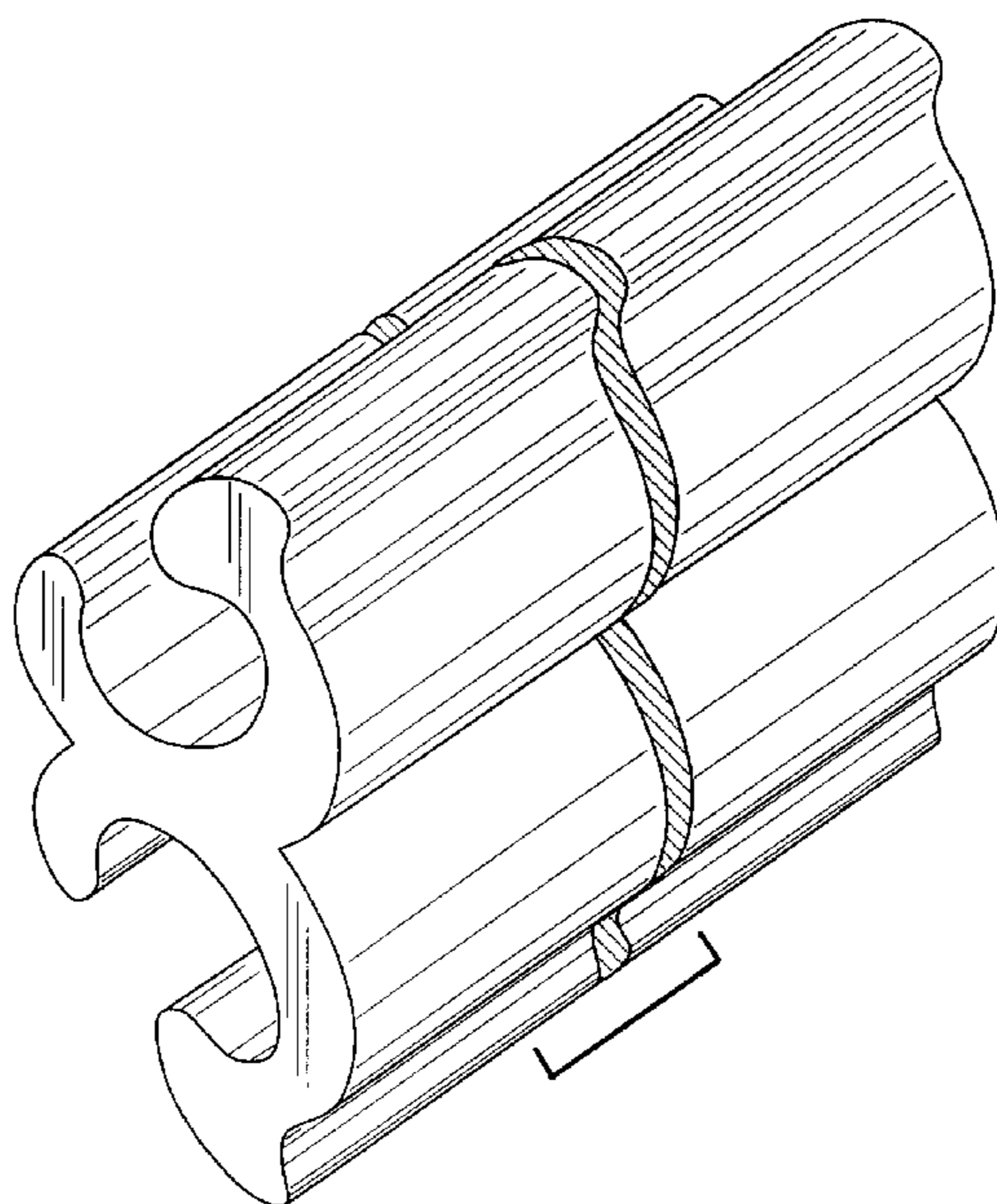
DESCRIPTION

FIG. 1 is an end view of the connector for sheet piling.

FIG. 2 is a perspective view of the first side of the connector for sheet piling. The separation of the two sections of the connector indicates indeterminate length; and,

FIG. 3 is a perspective view of the second side of the connector for sheet piling. The separation of the two sections of the connector indicates indeterminate length.

1 Claim, 2 Drawing Sheets



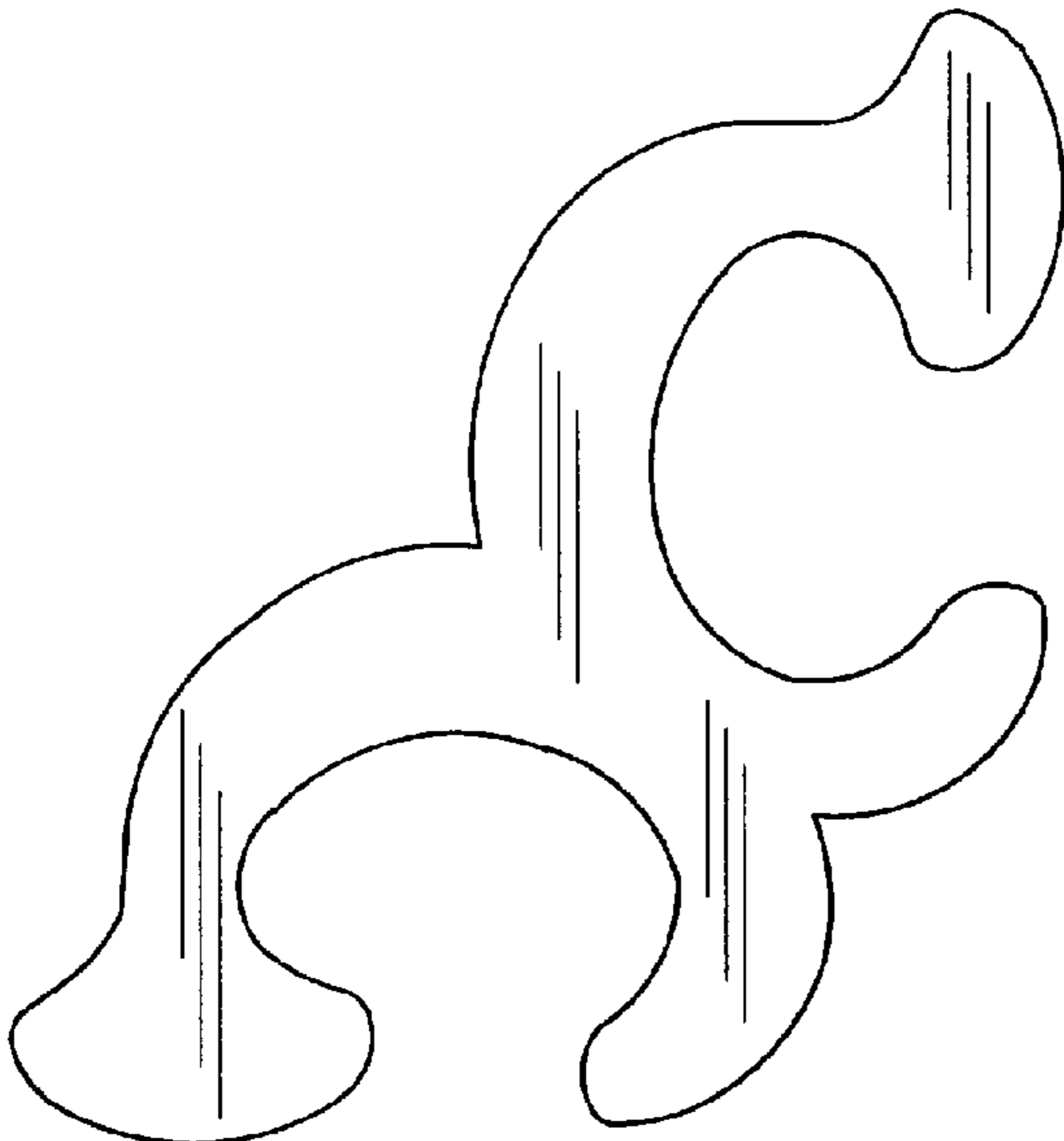


FIG. 1

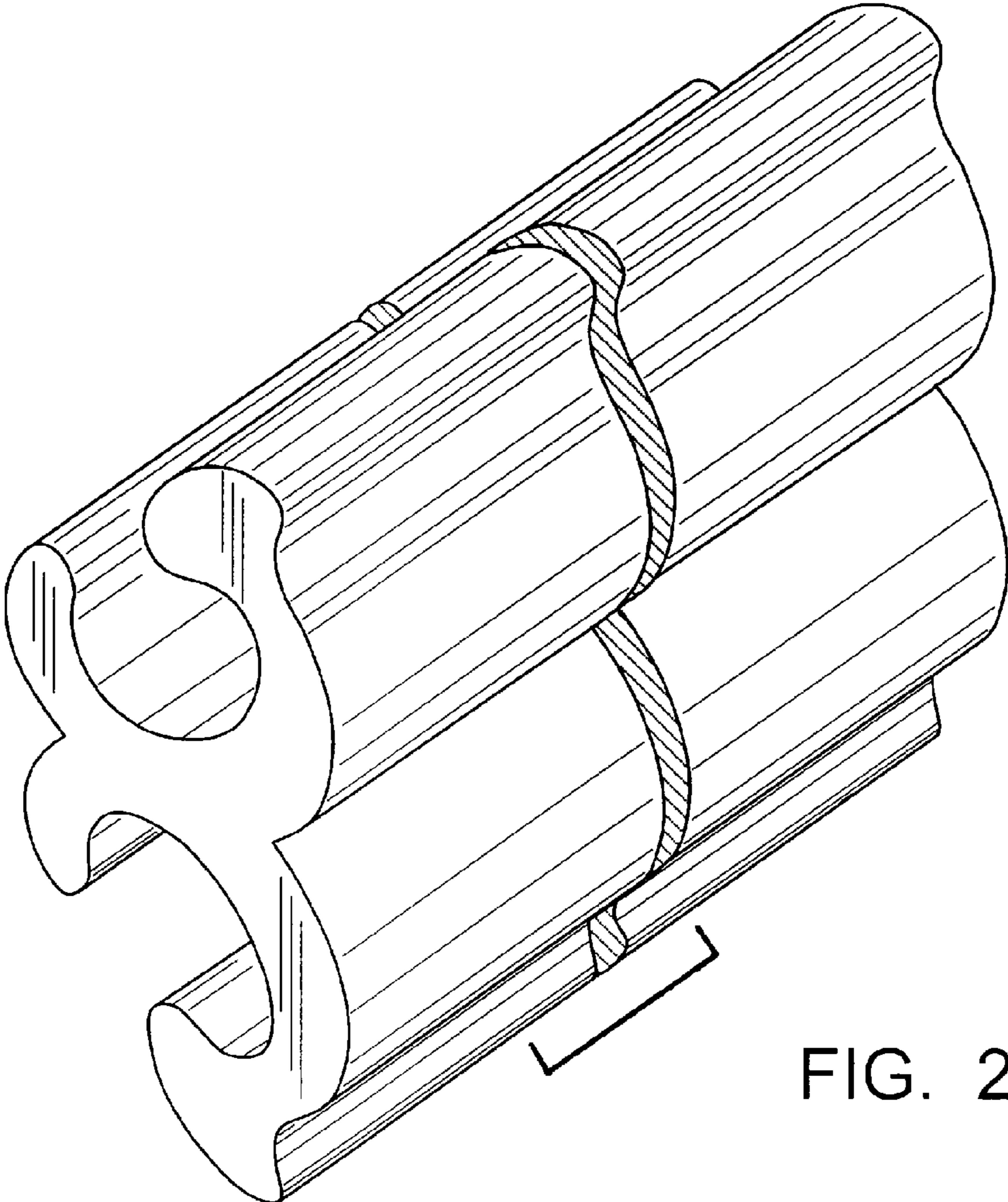


FIG. 2

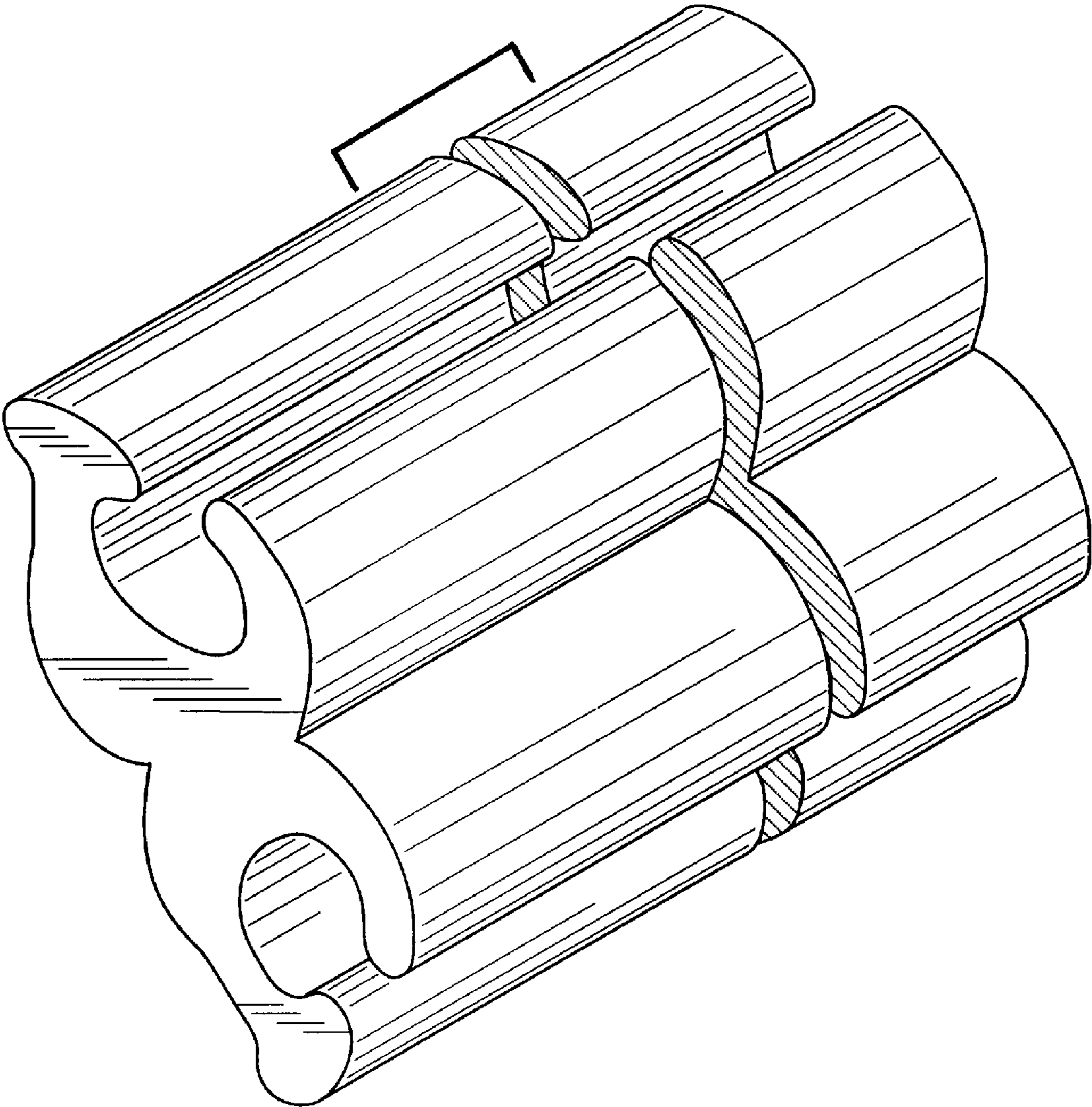


FIG. 3