



US00D623929S

(12) **United States Design Patent**  
**Jarvis et al.**

(10) **Patent No.:** **US D623,929 S**

(45) **Date of Patent:** **\*\* Sep. 21, 2010**

(54) **SHELVING POST COLLAR**

D523,327 S \* 6/2006 Clarke ..... D8/380

(75) Inventors: **Charles W. Jarvis**, Irvine, CA (US);  
**Johannes Le**, Huntington Beach, CA (US)

\* cited by examiner

*Primary Examiner*—Susan Bennett Hattan

(74) *Attorney, Agent, or Firm*—George F. Bethel

(73) Assignee: **Cambro Manufacturing Company**,  
Huntington Beach, CA (US)

(57) **CLAIM**

(\*\*) Term: **14 Years**

We claim the ornamental design for a shelving post collar, as shown and described.

(21) Appl. No.: **29/355,951**

(22) Filed: **Feb. 17, 2010**

**DESCRIPTION**

(51) **LOC (9) Cl.** ..... **08-05**

FIG. 1 is a perspective front top left side of the shelving post collar.

(52) **U.S. Cl.** ..... **D8/381**

FIG. 2 is a front elevation view thereof.

(58) **Field of Classification Search** ..... D8/382,

FIG. 3 is a left side elevation view thereof.

D8/381, 380, 373, 360, 359, 358, 354, 349;  
D3/24; D15/5, 199, 147, 138; 474/7, 66,  
474/47-53, 29, 198, 196, 161; 315/15; 248/638,  
248/636, 250, 235, 200; 242/532.6, 530.3,  
242/476.6, 118.6; 239/197; 160/315; 137/355.26,  
137/355.2, 355.19, 355.16; 108/157.13,  
108/147.12-147.17

FIG. 4 is a top plan view thereof.

FIG. 5 is a right side elevation view thereof.

FIG. 6 is a back elevation view thereof.

FIG. 7 is a bottom plan view thereof.

See application file for complete search history.

FIG. 8 is a perspective top right side back view thereof; and,  
FIG. 9 is a perspective view of the shelving post collar in use.

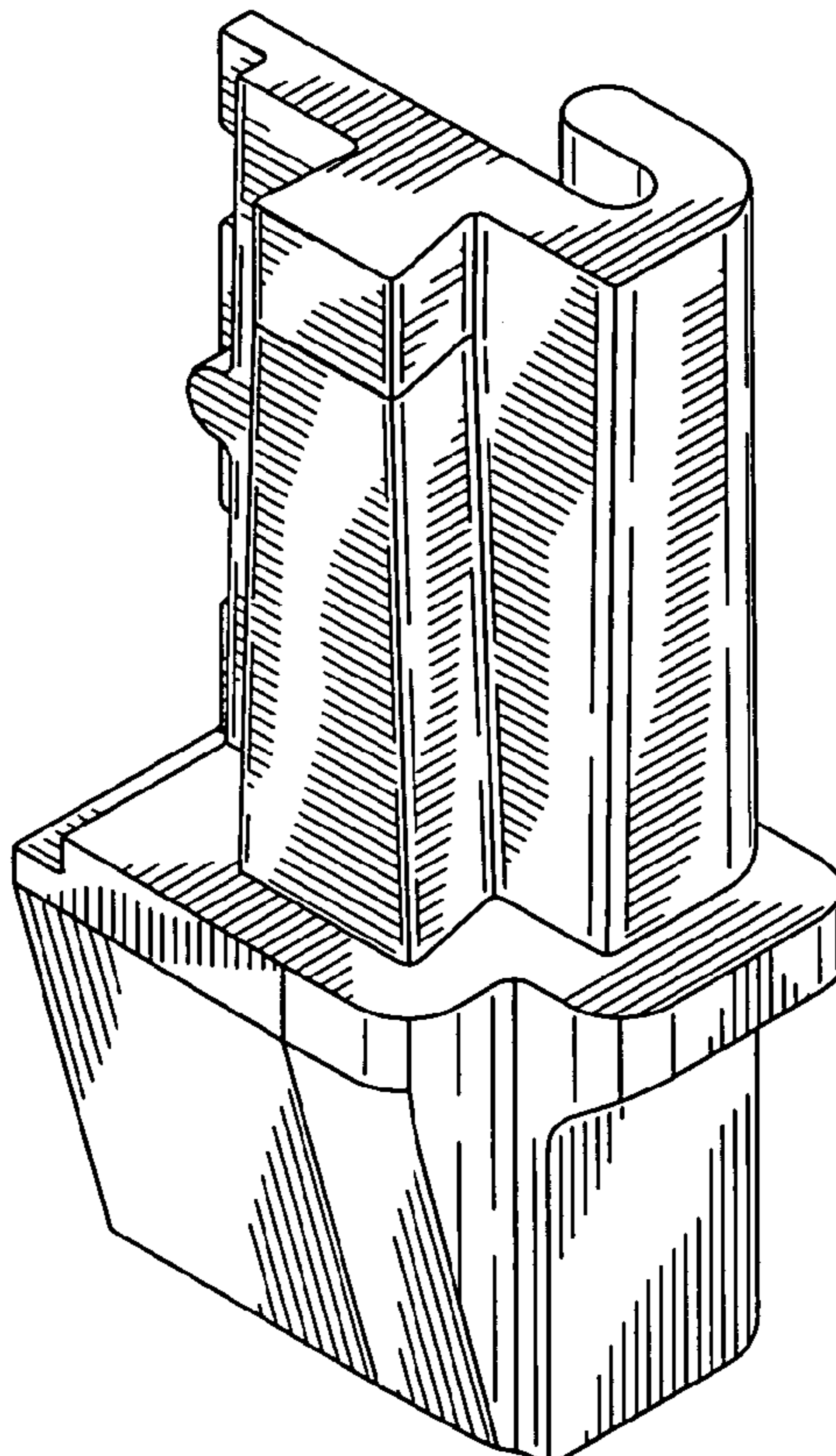
The broken lines in the drawing depict environmental subject matter only and form no part of the claimed design.

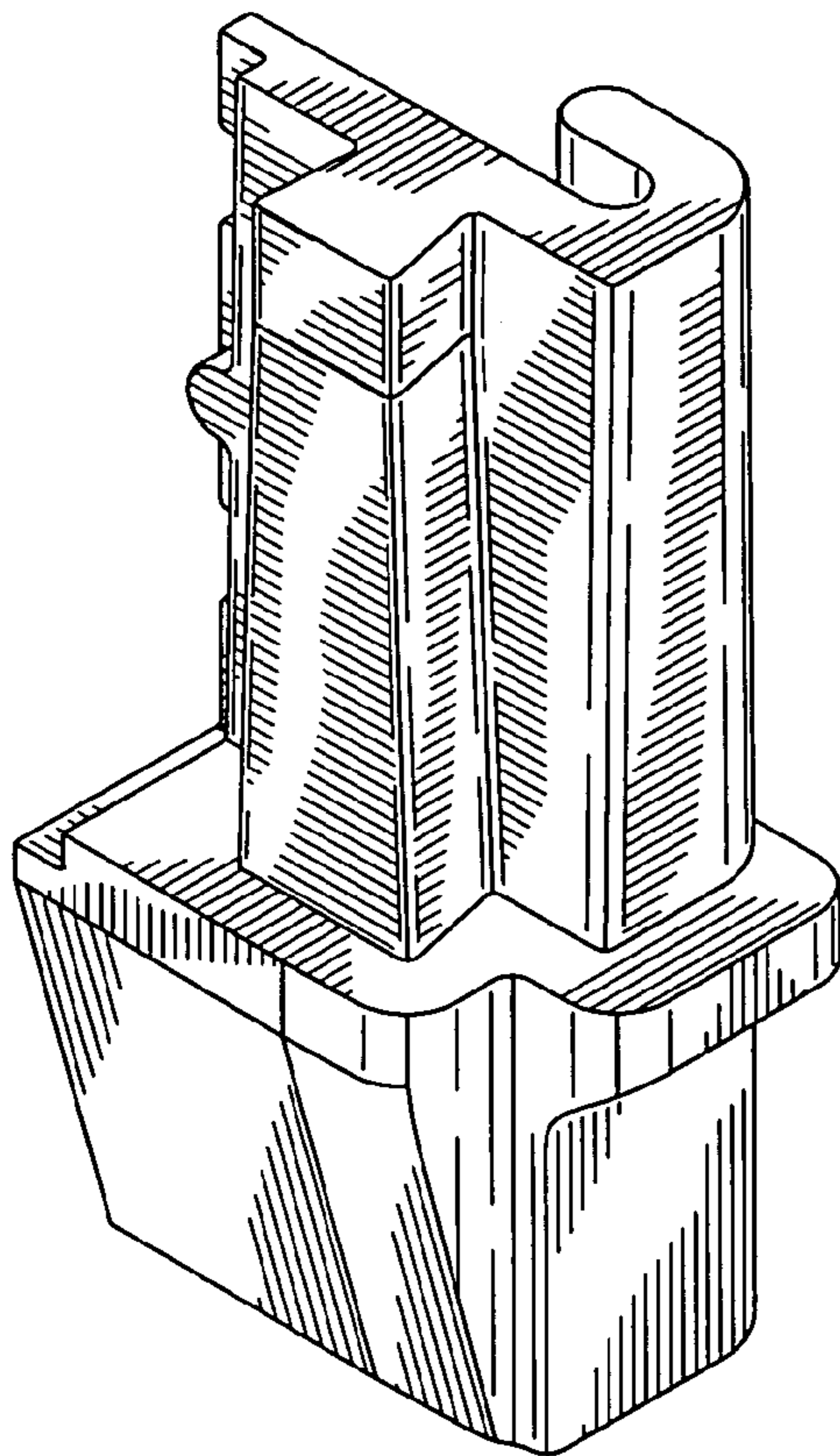
(56) **References Cited**

U.S. PATENT DOCUMENTS

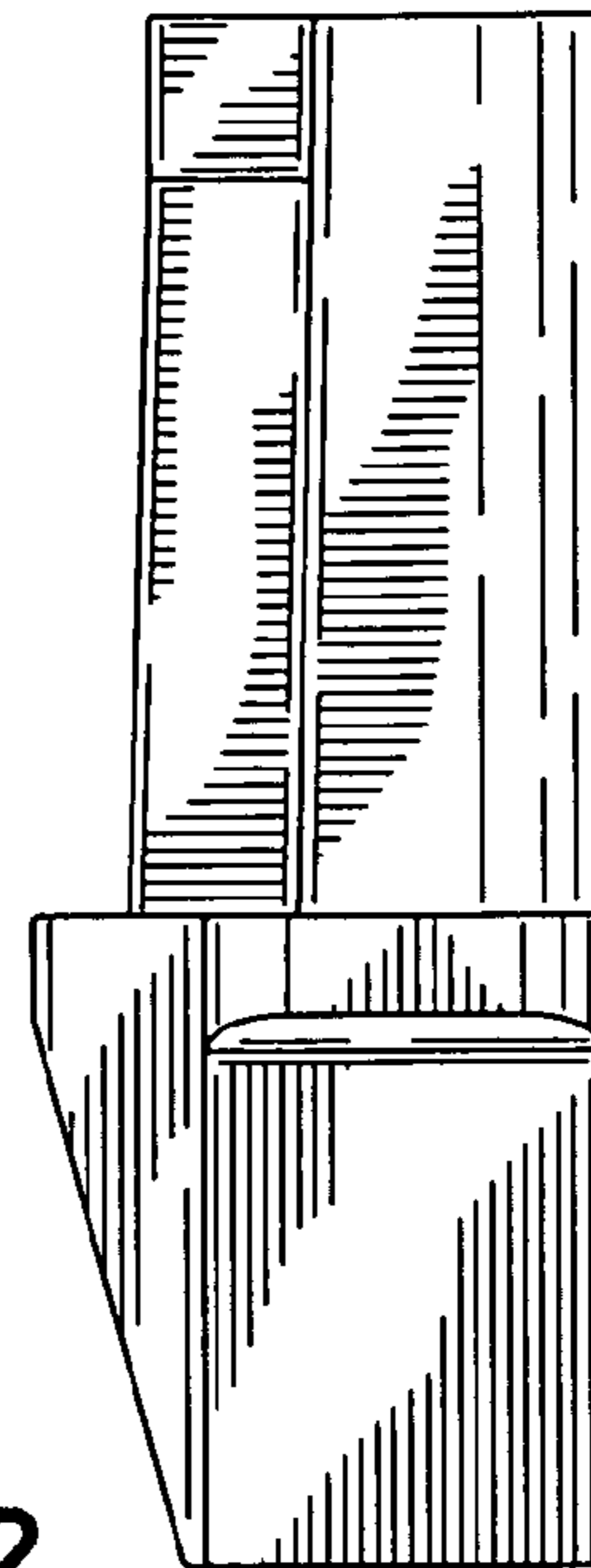
6,186,456 B1 \* 2/2001 Marsh ..... 248/243  
D484,029 S \* 12/2003 Bainbridge ..... D8/380

**1 Claim, 3 Drawing Sheets**

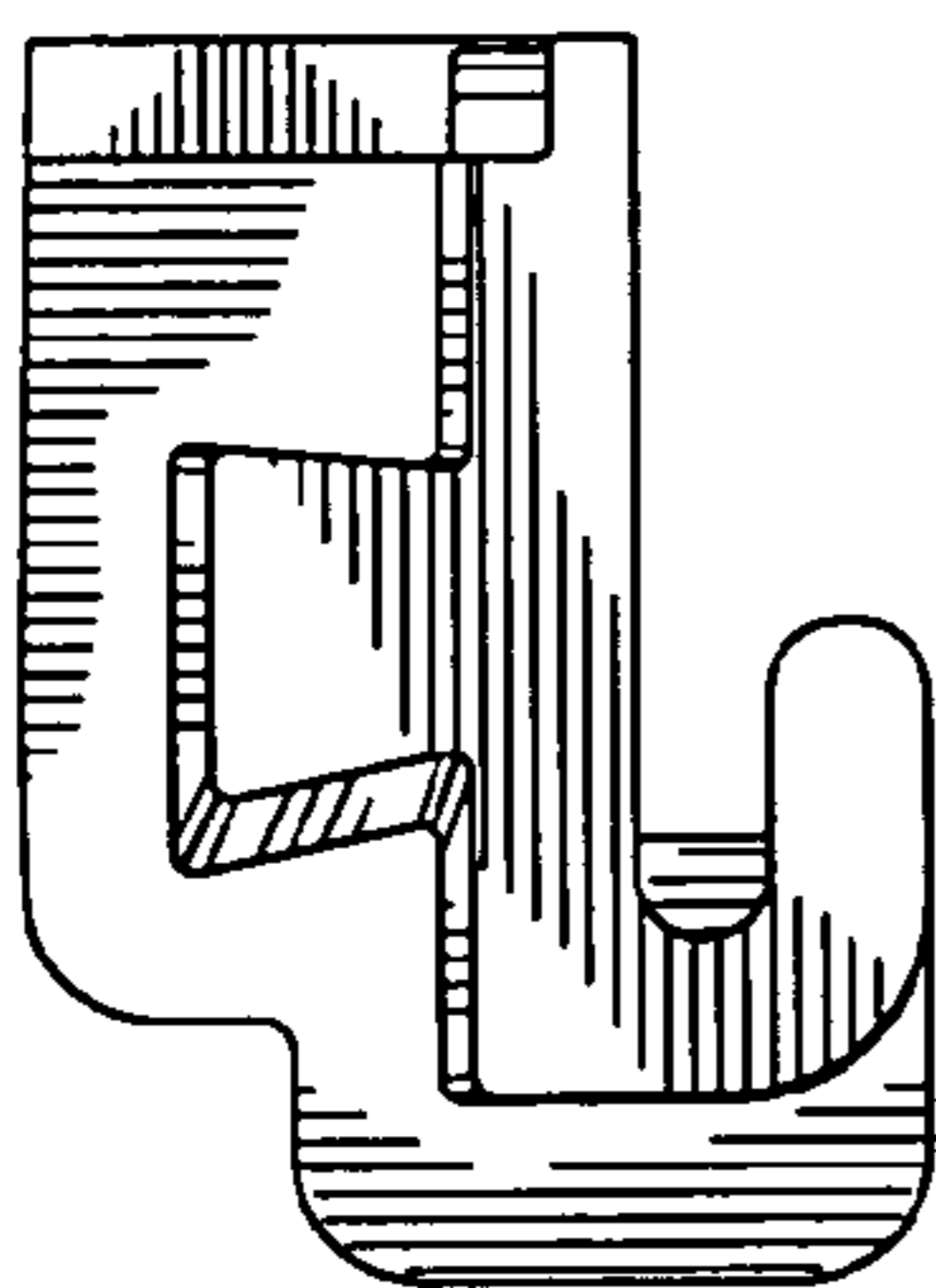




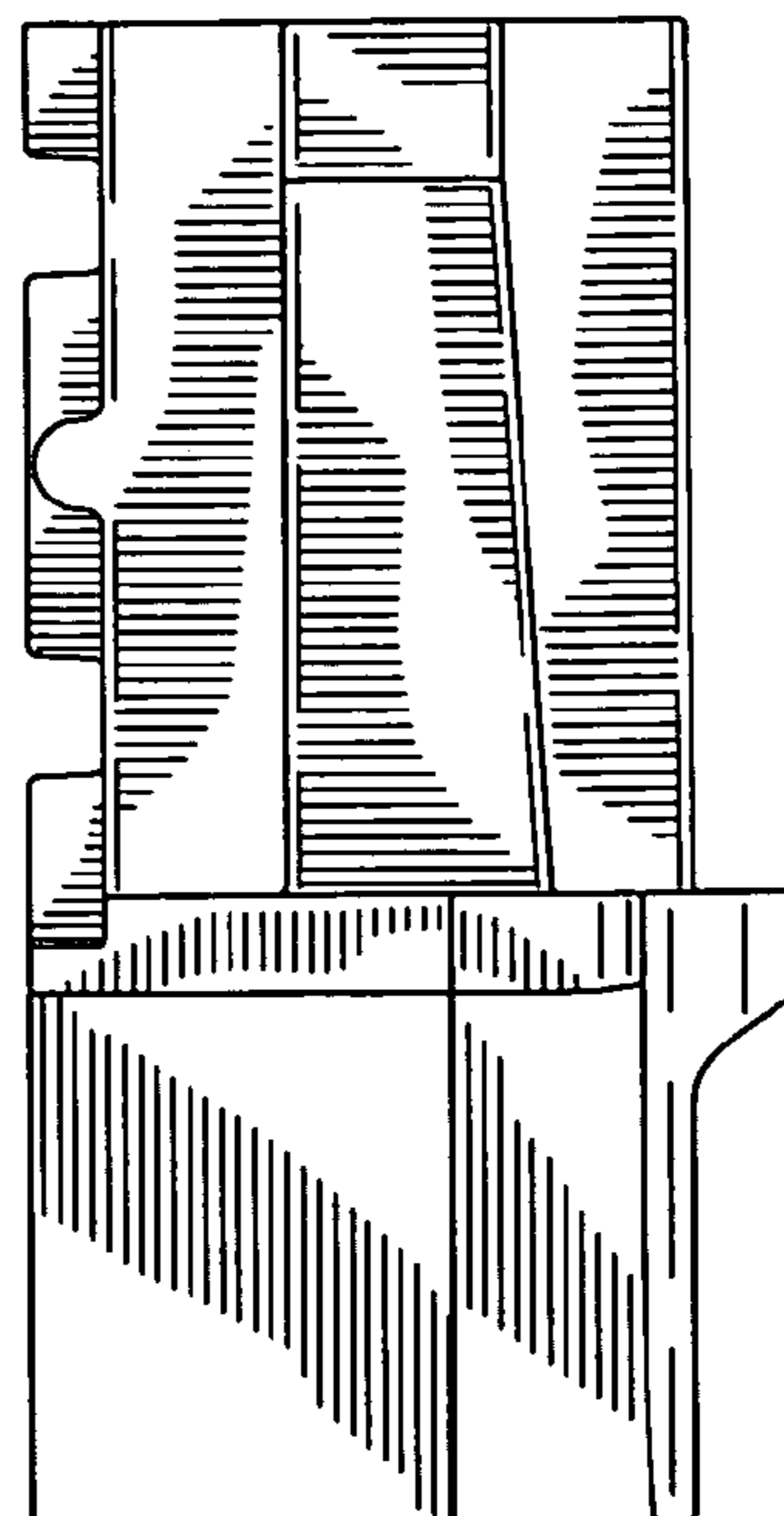
**FIG. 1**



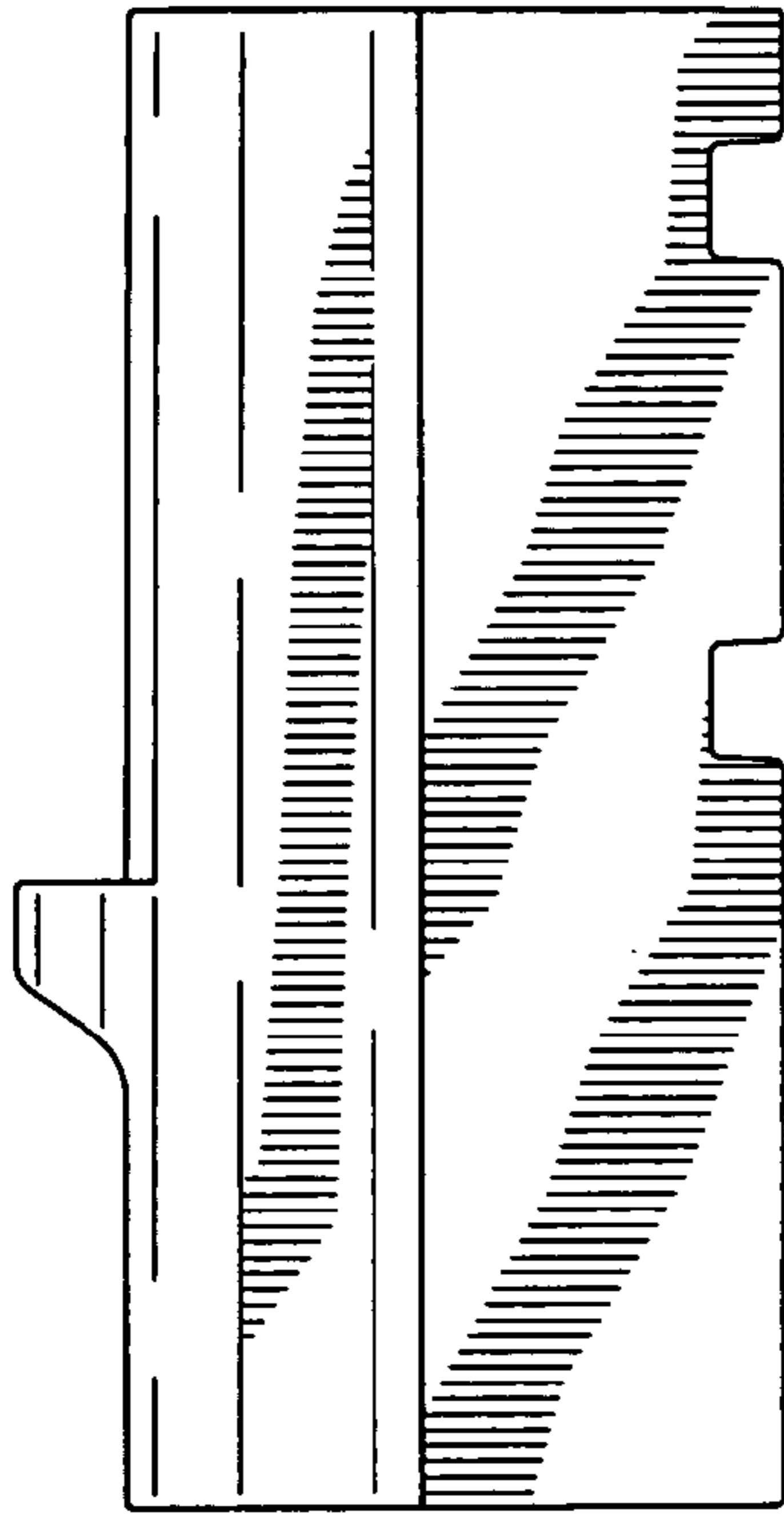
**FIG. 2**



**FIG. 4**

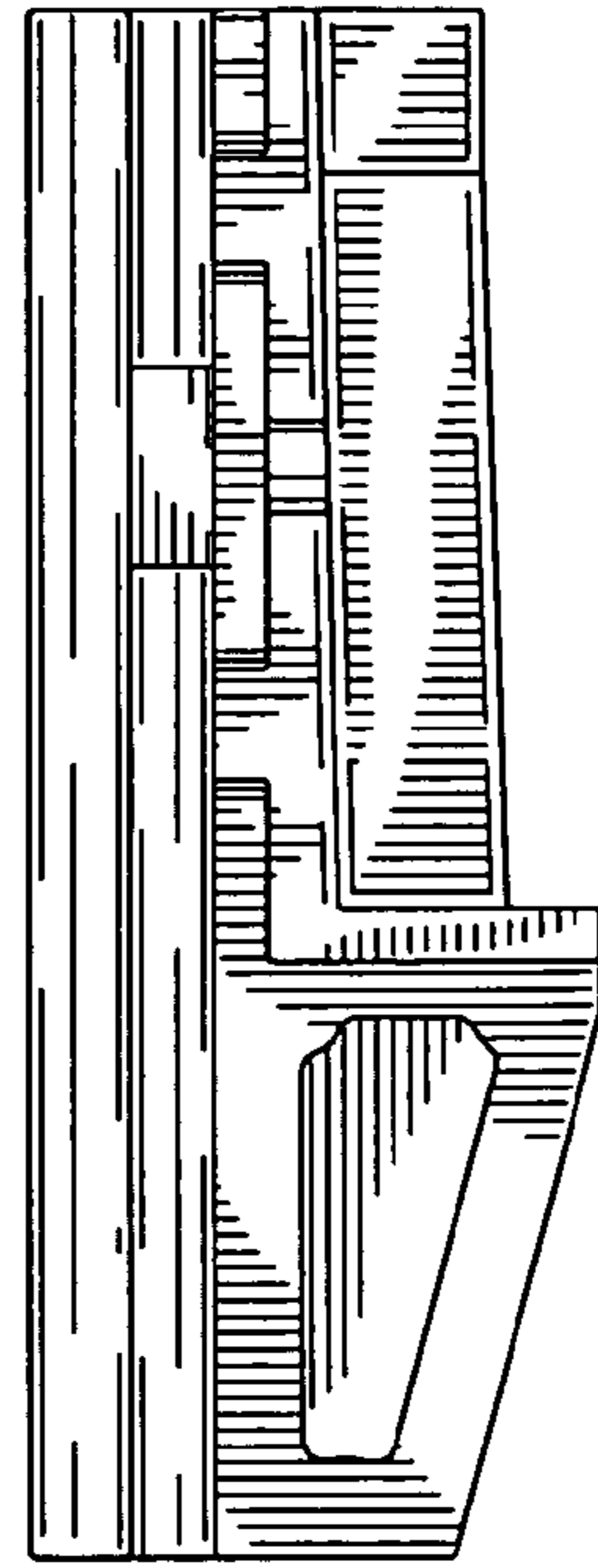


**FIG. 3**

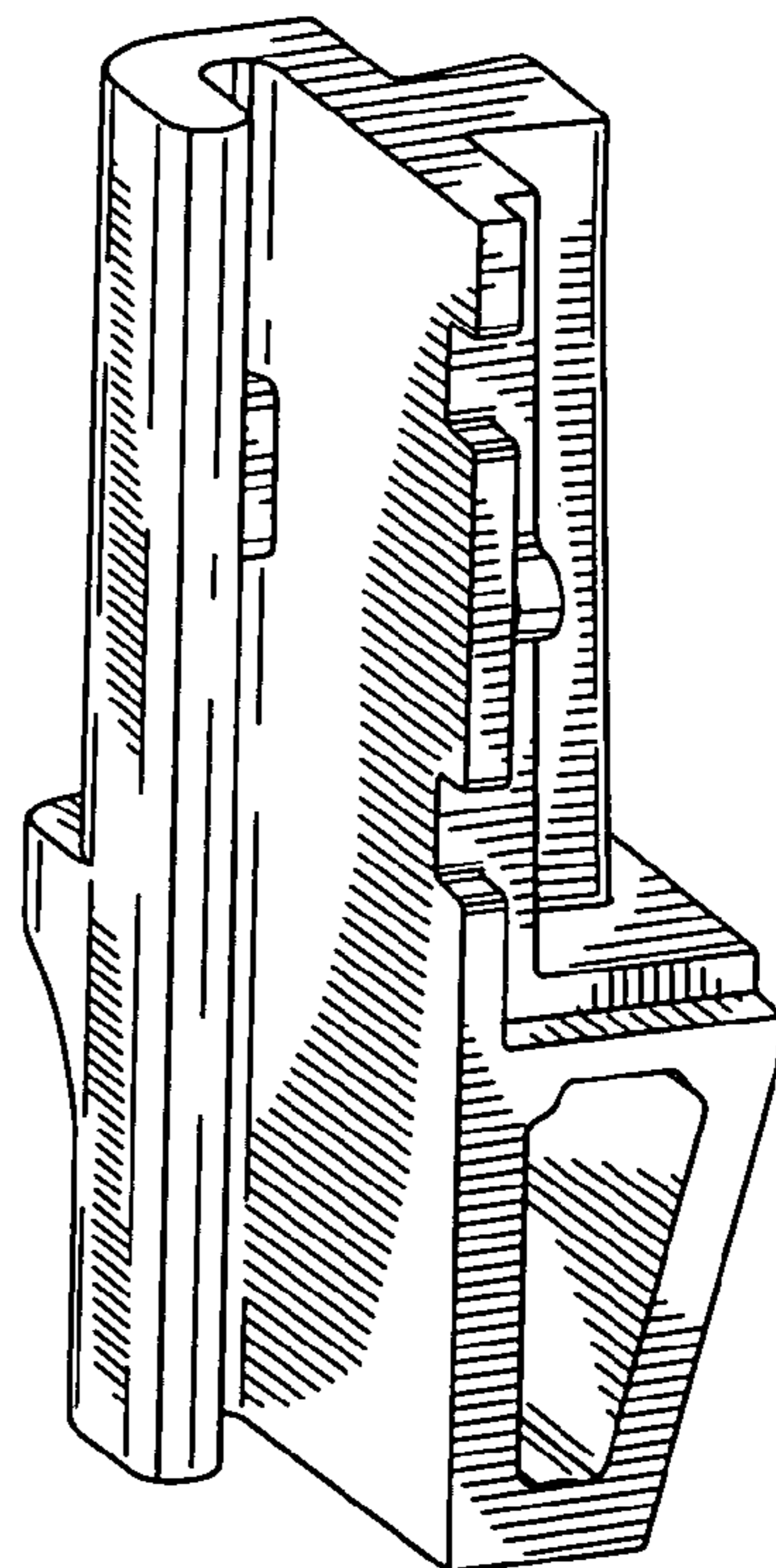


**FIG. 5**

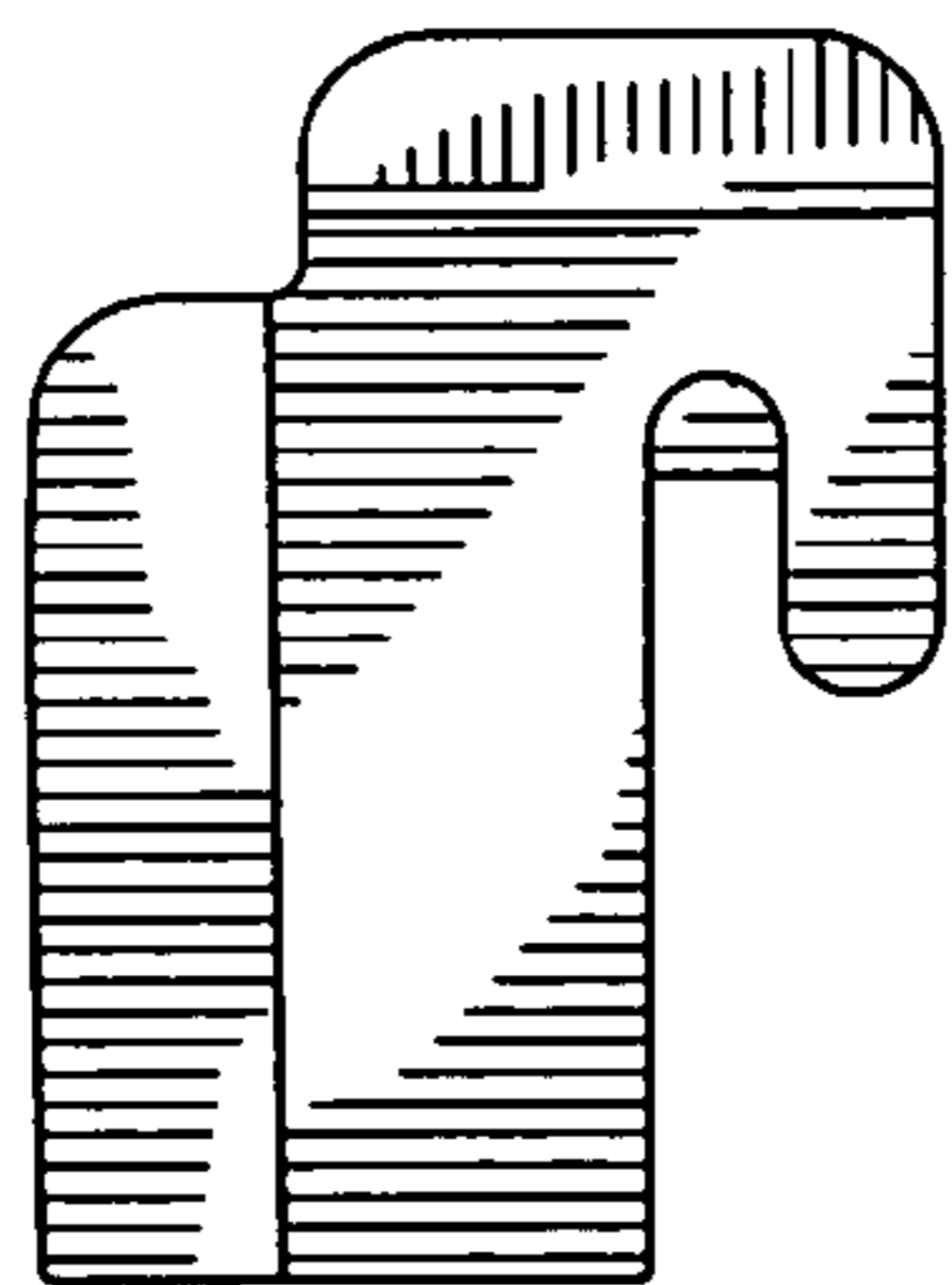
**FIG. 6**



**FIG. 8**



**FIG. 7**



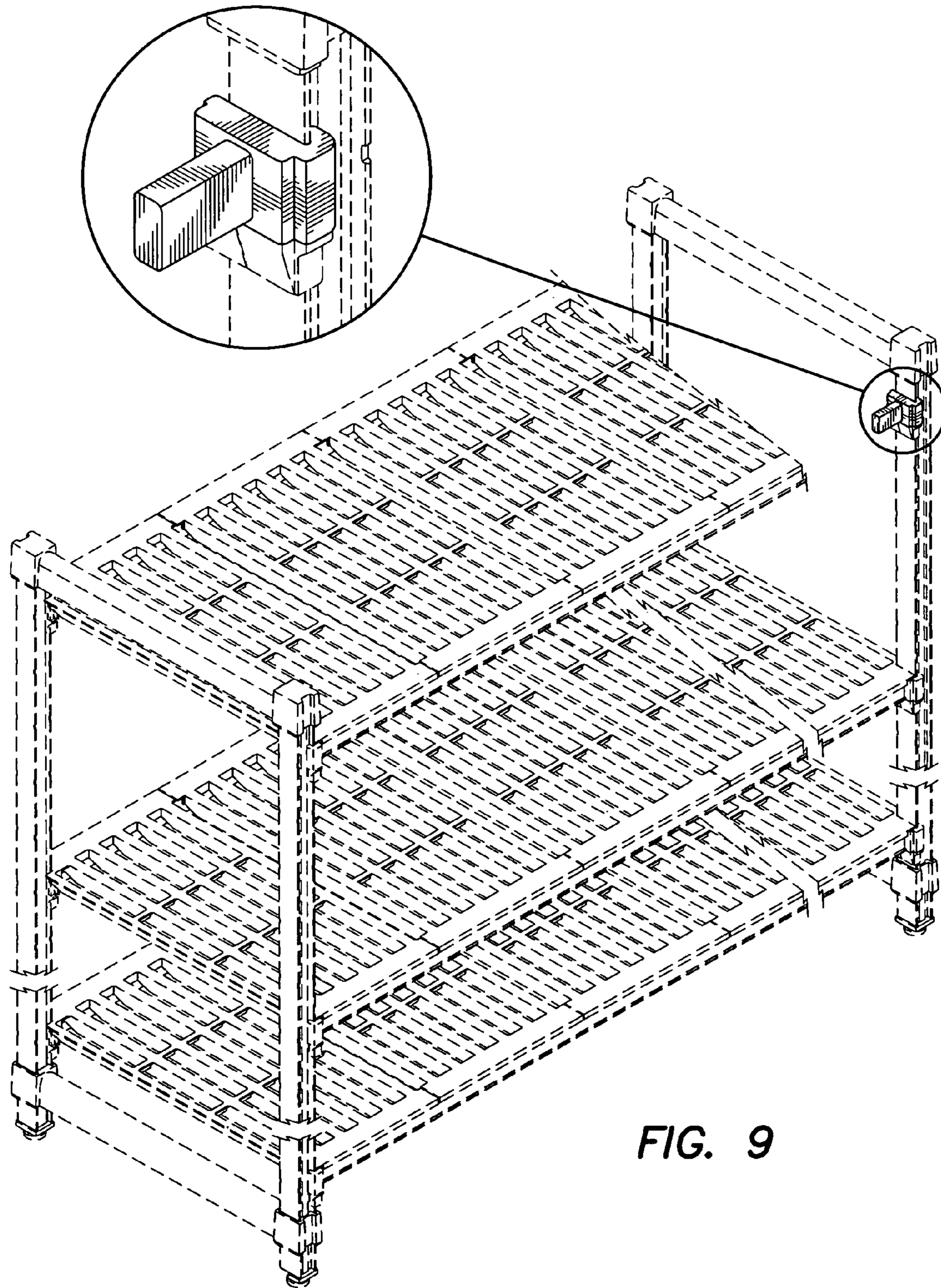


FIG. 9