



US00D623928S

(12) **United States Design Patent**
Weber

(10) **Patent No.:** **US D623,928 S**

(45) **Date of Patent:** **** Sep. 21, 2010**

(54) **SAFETY BAR**

WO WO 82/02832 9/1982

(76) Inventor: **Sidney L. Weber**, 80-35 188th St.,
Jamaica, NY (US) 11423

OTHER PUBLICATIONS

(**) Term: **14 Years**

Dependa-Bar™; Product Notes for DependaBar; Previously available at http://www.healthcraftproducts.com/Product_Note_2005-DependaBar.pdf; HealthCraft Products Inc., Ottawa, Ontario, Canada; Copyright 2005.

(21) Appl. No.: **29/310,814**

Dependa-Bar™; Installation Instructions; Available at http://www.healthcraftproducts.com/instructions_DependaBar.pdf; HealthCraft Products Inc., Ottawa, Ontario, Canada; Copyright 2006.

(22) Filed: **Sep. 10, 2008**

(51) **LOC (9) Cl.** **08-05**

(52) **U.S. Cl.** **D8/376**

(58) **Field of Classification Search** D6/546,
D6/549; D8/363, 373, 376; D23/262, 263,
D23/264, 265, 266; D24/183, 184; D25/41;
4/573.1, 576.1, 611; 5/622; 16/421; 52/741.3,
52/835; 248/200.1

* cited by examiner

Primary Examiner—Sandra Snapp

Assistant Examiner—Patricia Palasik

(74) *Attorney, Agent, or Firm*—Brandon N. Sklar, Esq.; Kaye Scholer LLP

See application file for complete search history.

(57) **CLAIM**

(56) **References Cited**

I claim the ornamental design for a safety bar, as shown and described.

U.S. PATENT DOCUMENTS

DESCRIPTION

- 2,242,461 A 5/1941 Fisher
- 2,243,794 A 5/1941 Dunn
- 2,419,145 A 4/1947 Kersenbrock et al.
- 2,617,538 A 11/1952 Martin
- D200,875 S * 4/1965 Albanese D8/72
- 3,568,220 A 3/1971 Dees
- 4,212,445 A 7/1980 Hagen
- 4,457,502 A 7/1984 Beach
- 4,498,204 A 2/1985 Warner
- 4,582,307 A 4/1986 Wang
- 4,932,090 A 6/1990 Johansson
- D328,195 S * 7/1992 Kotsuka D6/324
- 5,586,352 A 12/1996 O'Brien et al.
- D378,491 S * 3/1997 Chretien D8/376
- D477,733 S * 7/2003 Hoernig D6/527
- 6,922,857 B2 8/2005 Palma
- D591,427 S * 4/2009 Stimpson et al. D25/41
- 2006/0053547 A1 3/2006 Farrow et al.
- 2007/0006379 A1 1/2007 Alvite
- 2008/0289296 A1 11/2008 Weber

FIG. 1 is a front view of a safety bar in accordance with an embodiment of my invention; the broken lines, which represent a wall to which the safety bar may be attached, are for illustrative purposes only, and form no part of the claimed design;

FIG. 2 is a top view thereof;

FIG. 3 is a left side view thereof;

FIG. 4 is a right side view thereof;

FIG. 5 is a rear view thereof;

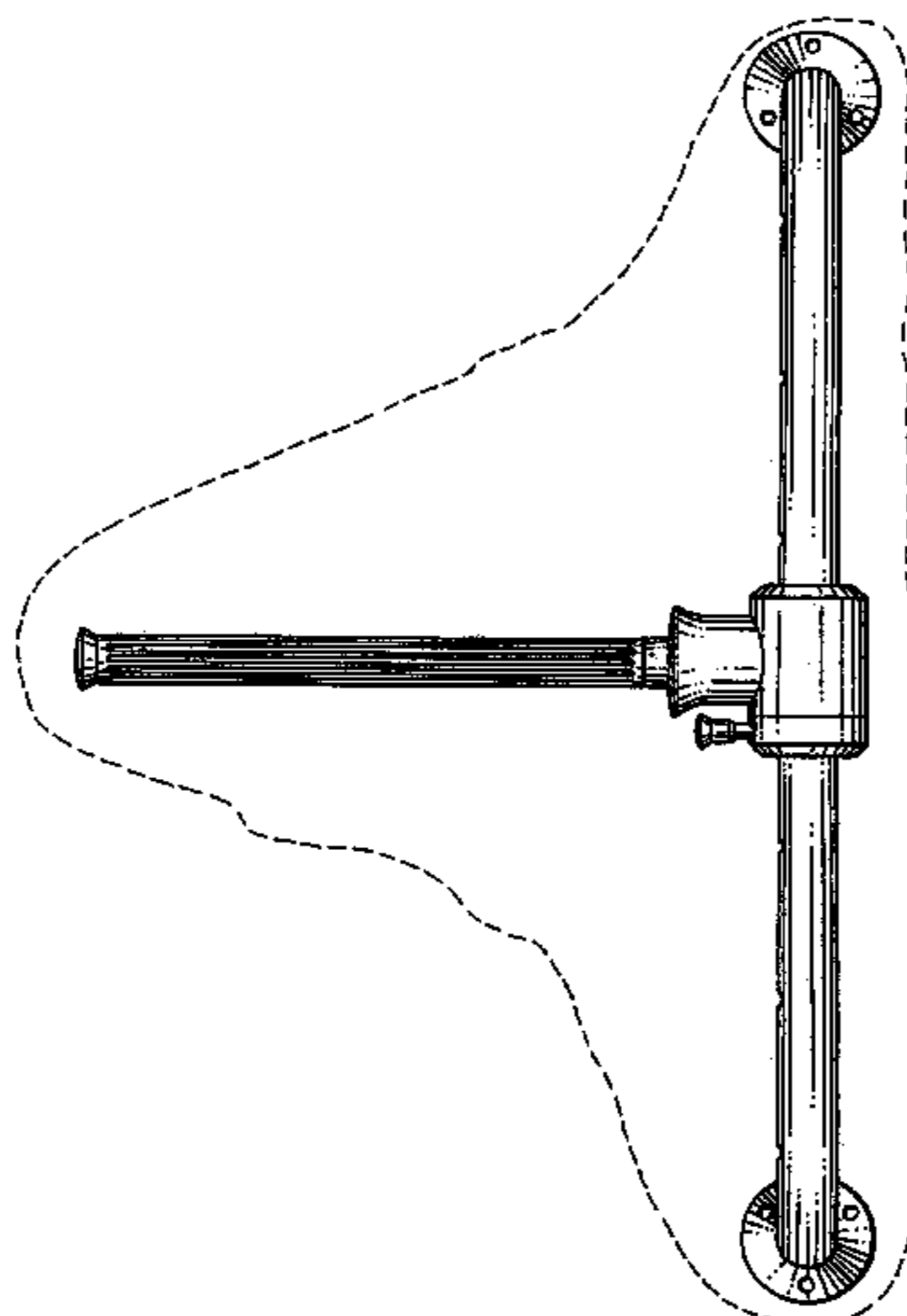
FIG. 6 is a bottom view thereof; and,

FIG. 7 is a bottom view of FIG. 1, showing an alternate position of the safety bar; the broken lines, which represent a wall to which the safety bar may be attached, are for illustrative purposes only, and form no part of the claimed design.

FOREIGN PATENT DOCUMENTS

EP 0172625 A1 2/1986

1 Claim, 4 Drawing Sheets



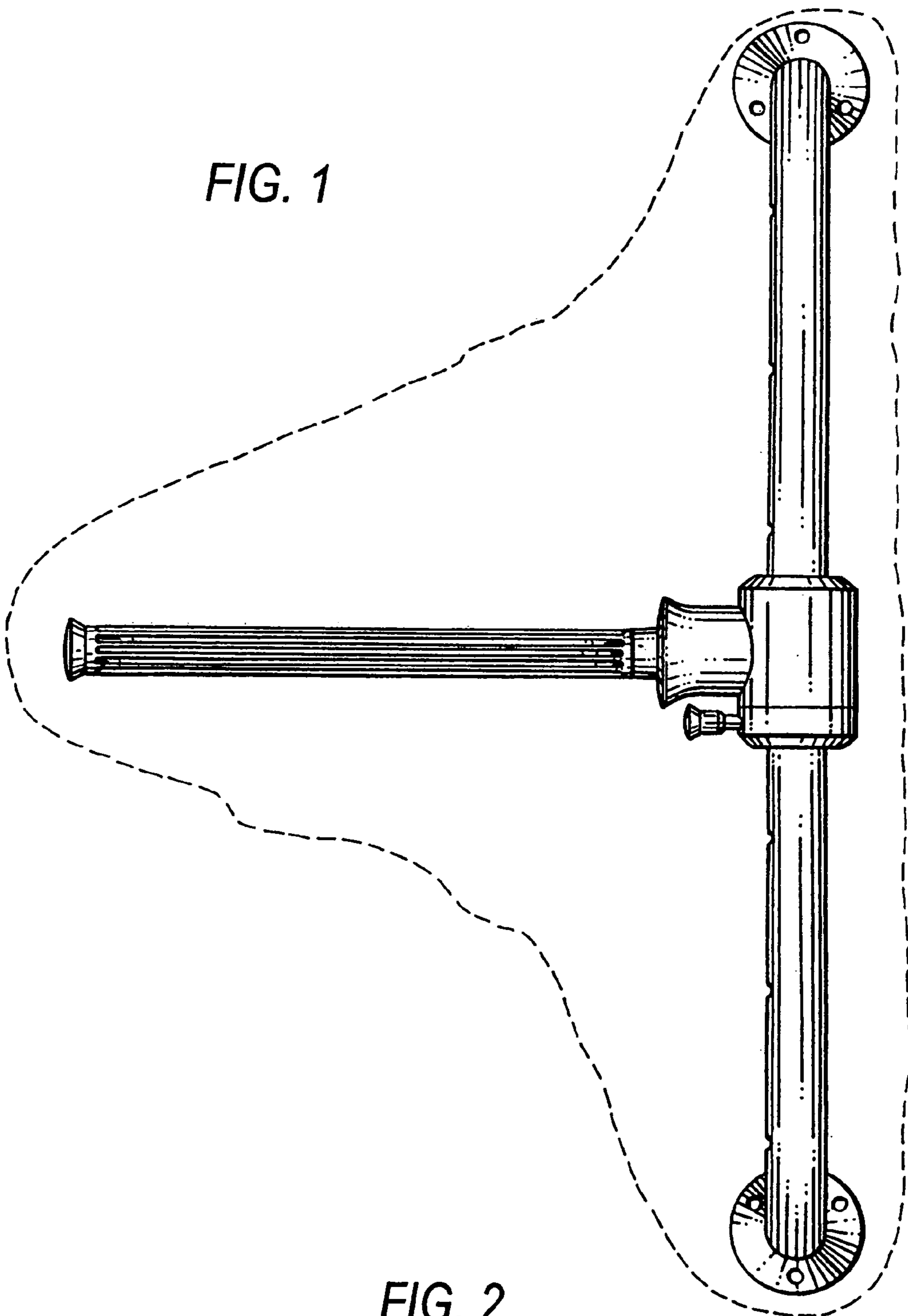


FIG. 3

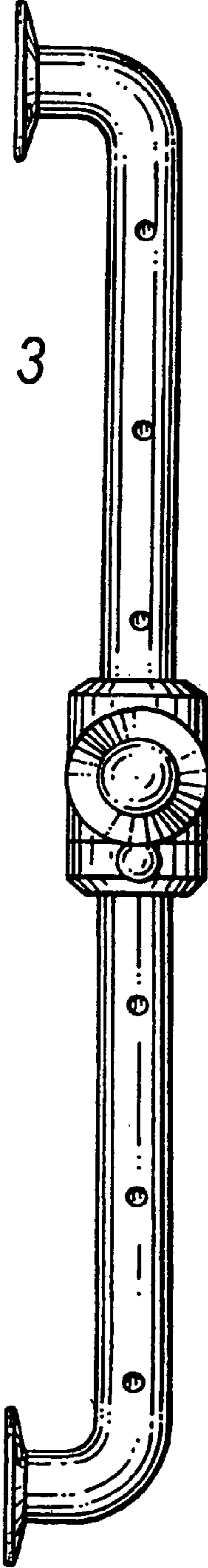
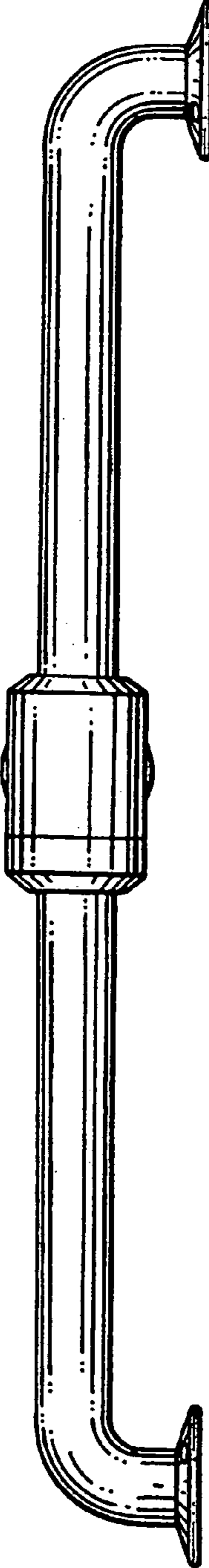


FIG. 4



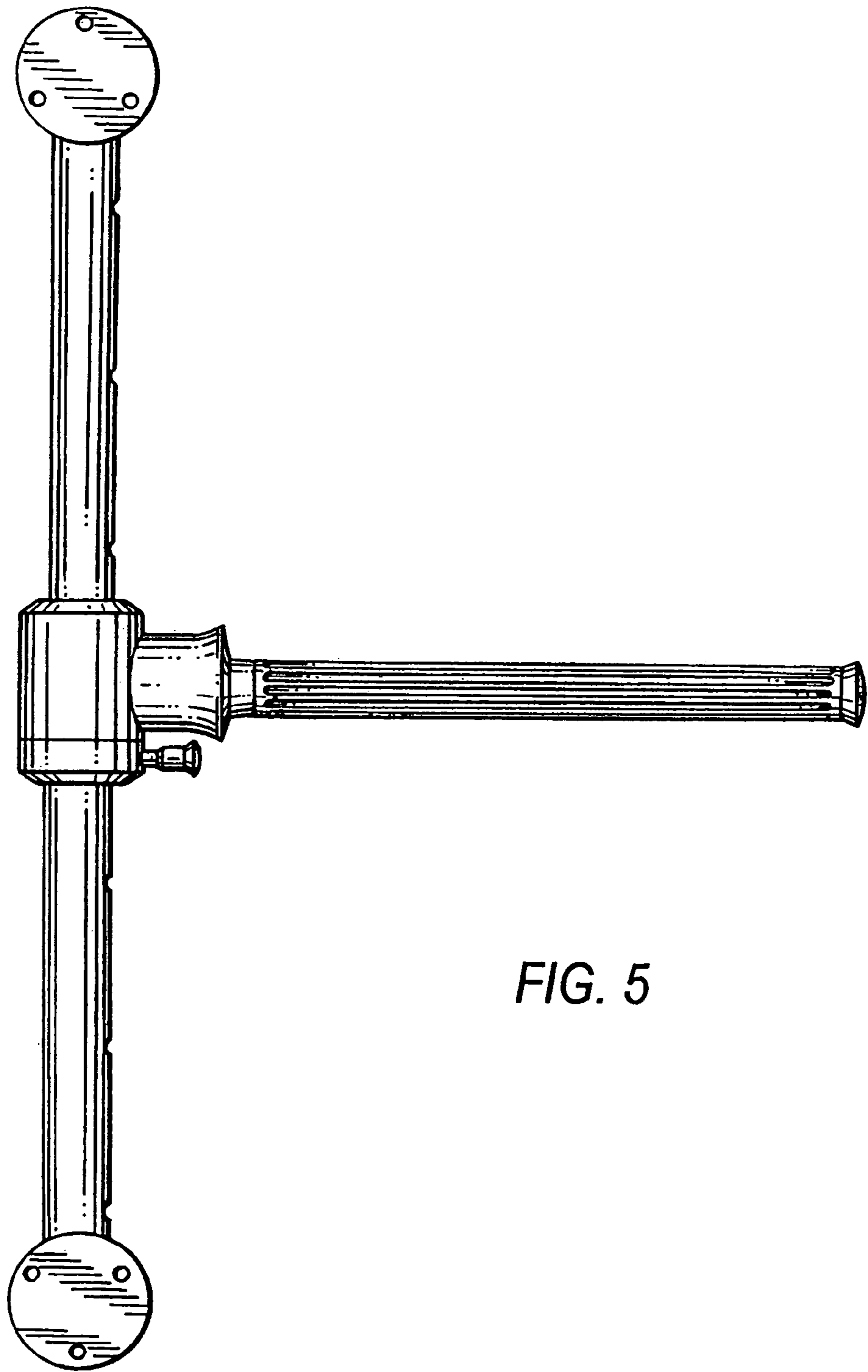


FIG. 5



FIG. 6

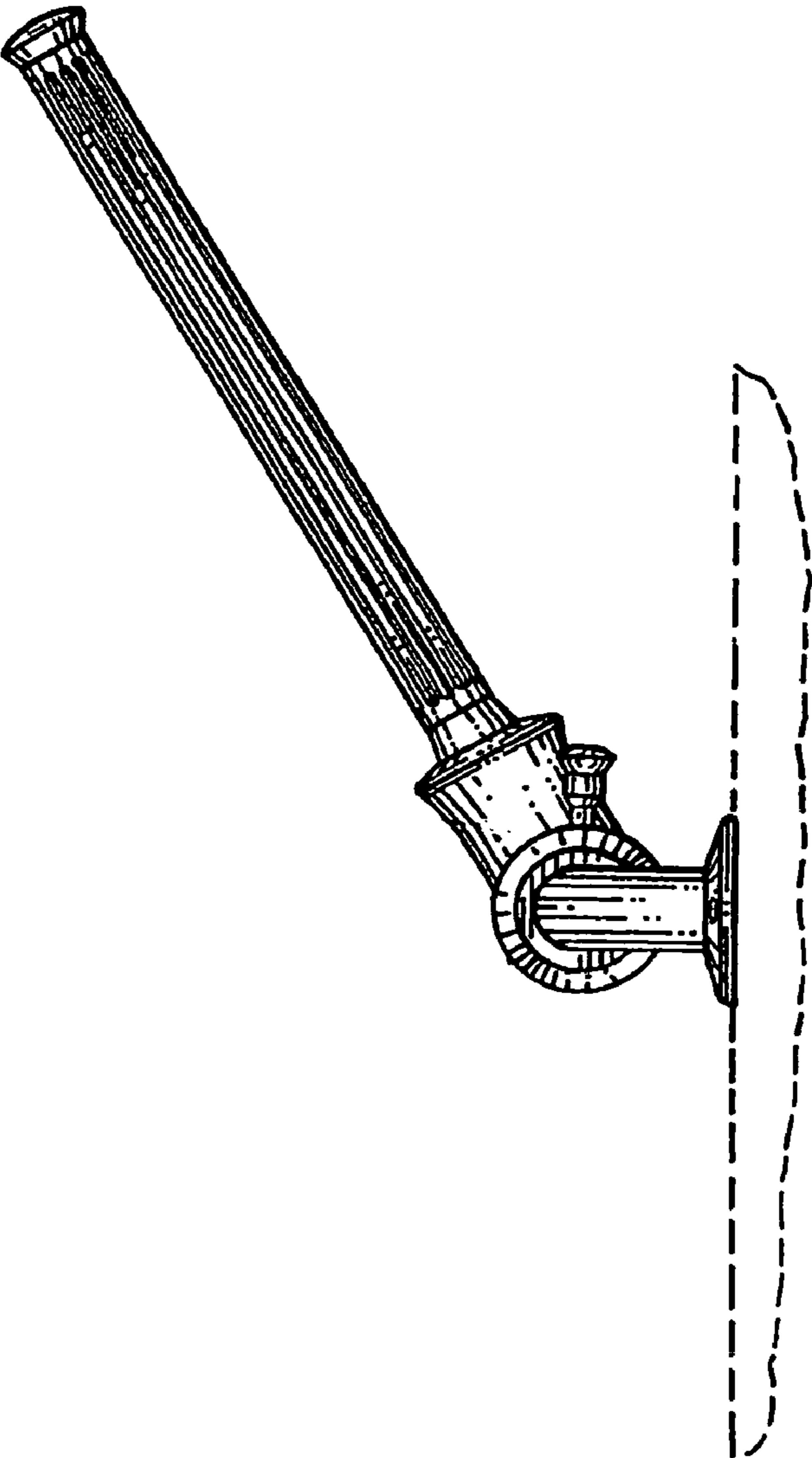


FIG. 7