



US00D623927S

(12) **United States Design Patent**
Gu et al.

(10) **Patent No.:** **US D623,927 S**

(45) **Date of Patent:** **** Sep. 21, 2010**

(54) **SPOOL**

(75) Inventors: **Jianming Jack Gu**, JiangYin (CN);
Hendrik Van Hoecke, Oostende (BE);
Yongqiang Johan Yuan, JiangYin (CN)

(73) Assignee: **NV Bekaert SA**, Zwevegem (BE)

(**) Term: **14 Years**

(21) Appl. No.: **29/311,517**

(22) Filed: **Apr. 7, 2009**

(30) **Foreign Application Priority Data**

Oct. 20, 2008 (WO) 464871201

(51) **LOC (9) Cl.** **08-05**

(52) **U.S. Cl.** **D8/358**

(58) **Field of Classification Search** D8/360,
D8/359, 358; D3/24; D15/5, 199, 147, 138;
474/7, 66, 47-53, 29, 198, 196, 161; 248/638,
248/636; 242/532.6, 530.3, 476.6, 118.6;
160/315; 137/355.26, 355.2, 355.16
See application file for complete search history.

(56) **References Cited**

U.S. PATENT DOCUMENTS

1,456,108 A * 5/1923 Johannesen 242/118.4
4,715,556 A 12/1987 Tack et al.
5,004,179 A * 4/1991 Salloum 242/118.6

D358,931 S 6/1995 Vanhuyse
5,460,333 A 10/1995 Vanhuyse
5,803,396 A 9/1998 Dewaele
D441,772 S 5/2001 Polzer
D504,806 S 5/2005 Basaran
D545,561 S 7/2007 Vandecasteele
D563,207 S * 3/2008 Kawazoe D8/358
D583,651 S * 12/2008 Kawazoe D8/358

* cited by examiner

Primary Examiner—Susan Bennett Hattan

(74) *Attorney, Agent, or Firm*—Shlesinger, Arkwright & Garvey LLP

(57) **CLAIM**

The ornamental design for a spool, as shown and described.

DESCRIPTION

FIG. 1 is a front perspective view of a spool, showing our new design;

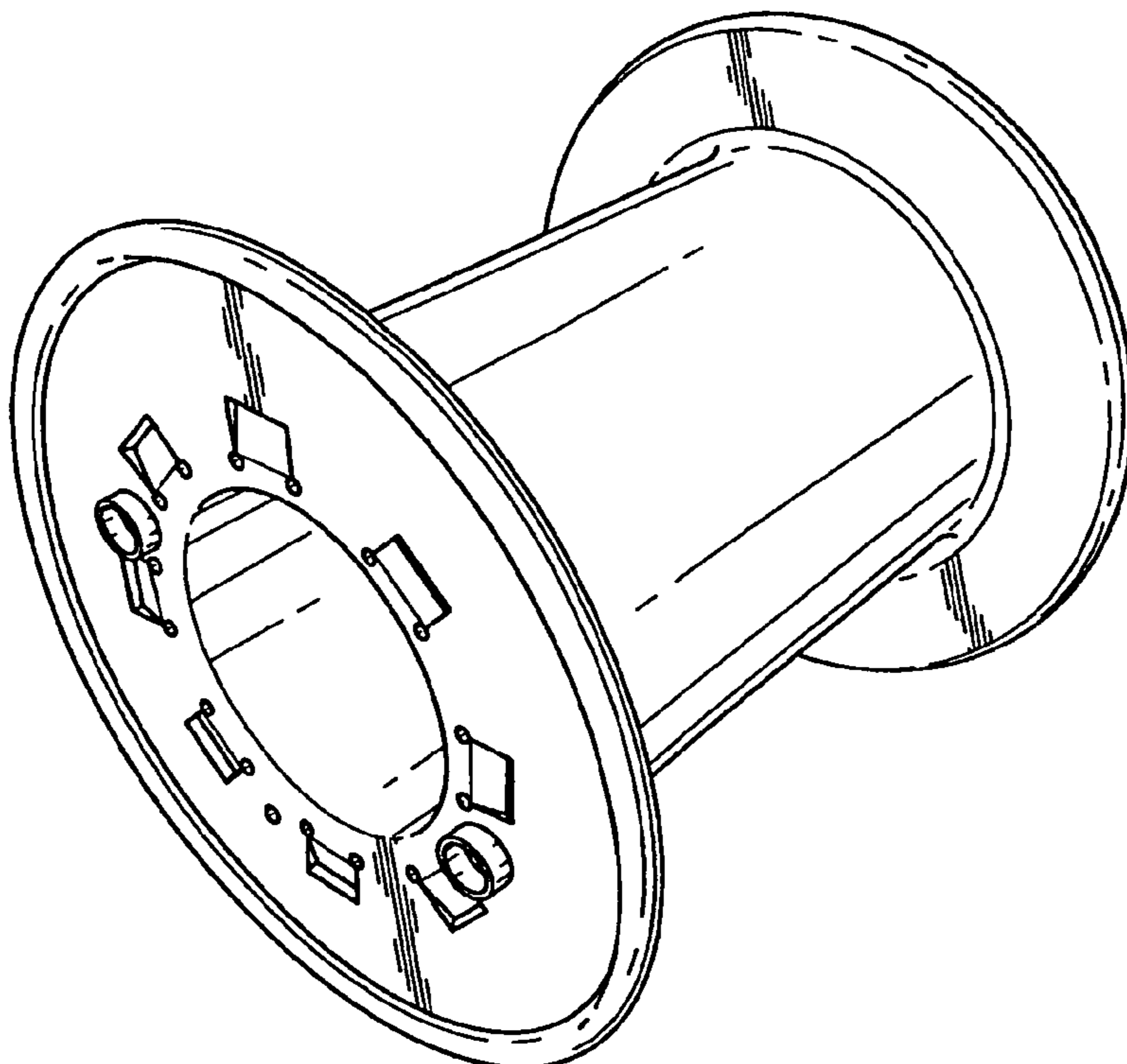
FIG. 2 is a rear perspective view of our spool of FIG. 1;

FIG. 3 is a front view of our spool of FIG. 1, the rear view being the same; and,

FIG. 4 is a side view of our spool of FIG. 1, the opposite side view being the same.

The broken line circles on the outer left and outer right sides of FIG. 4 depict environment only.

1 Claim, 2 Drawing Sheets



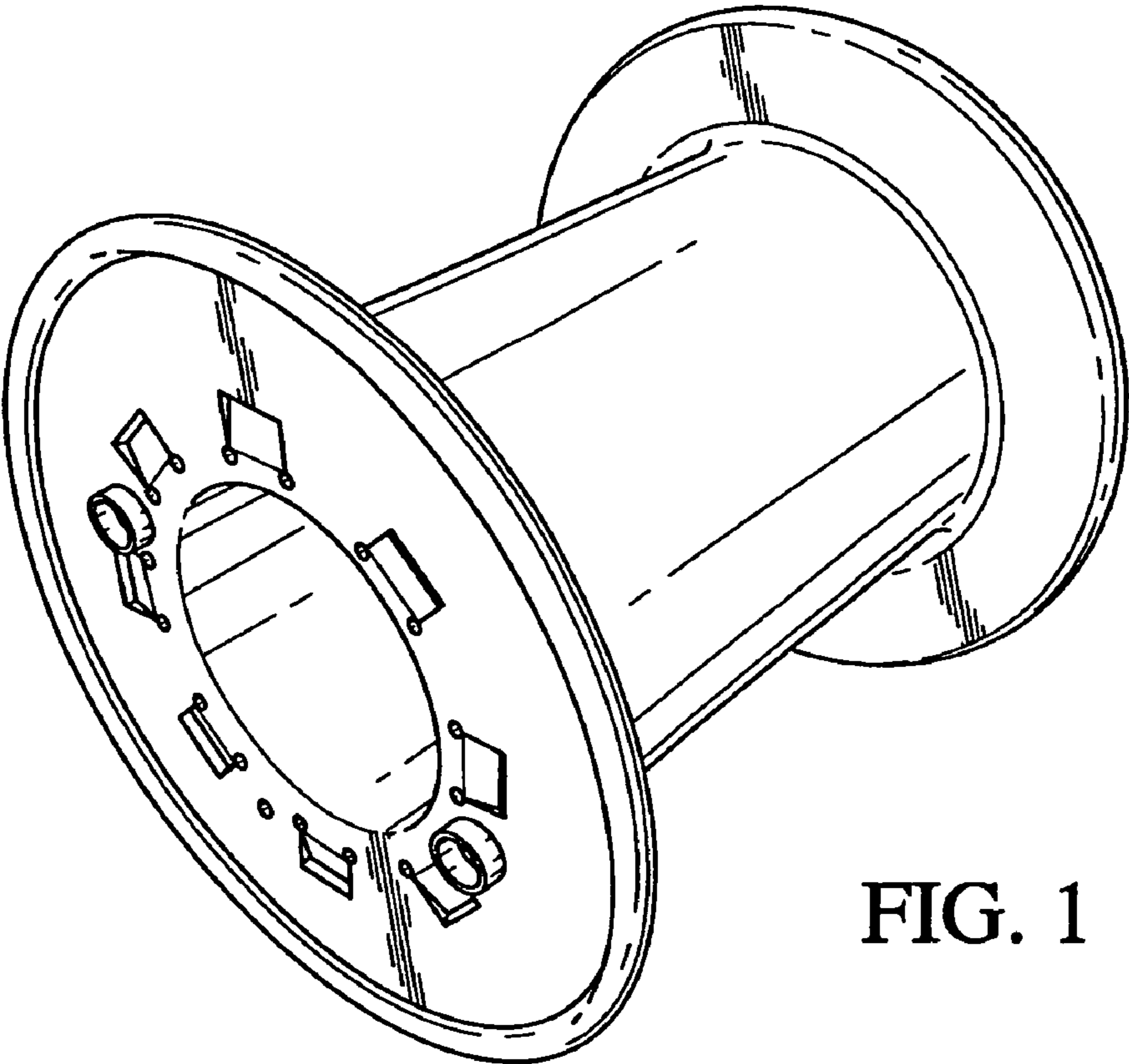


FIG. 1

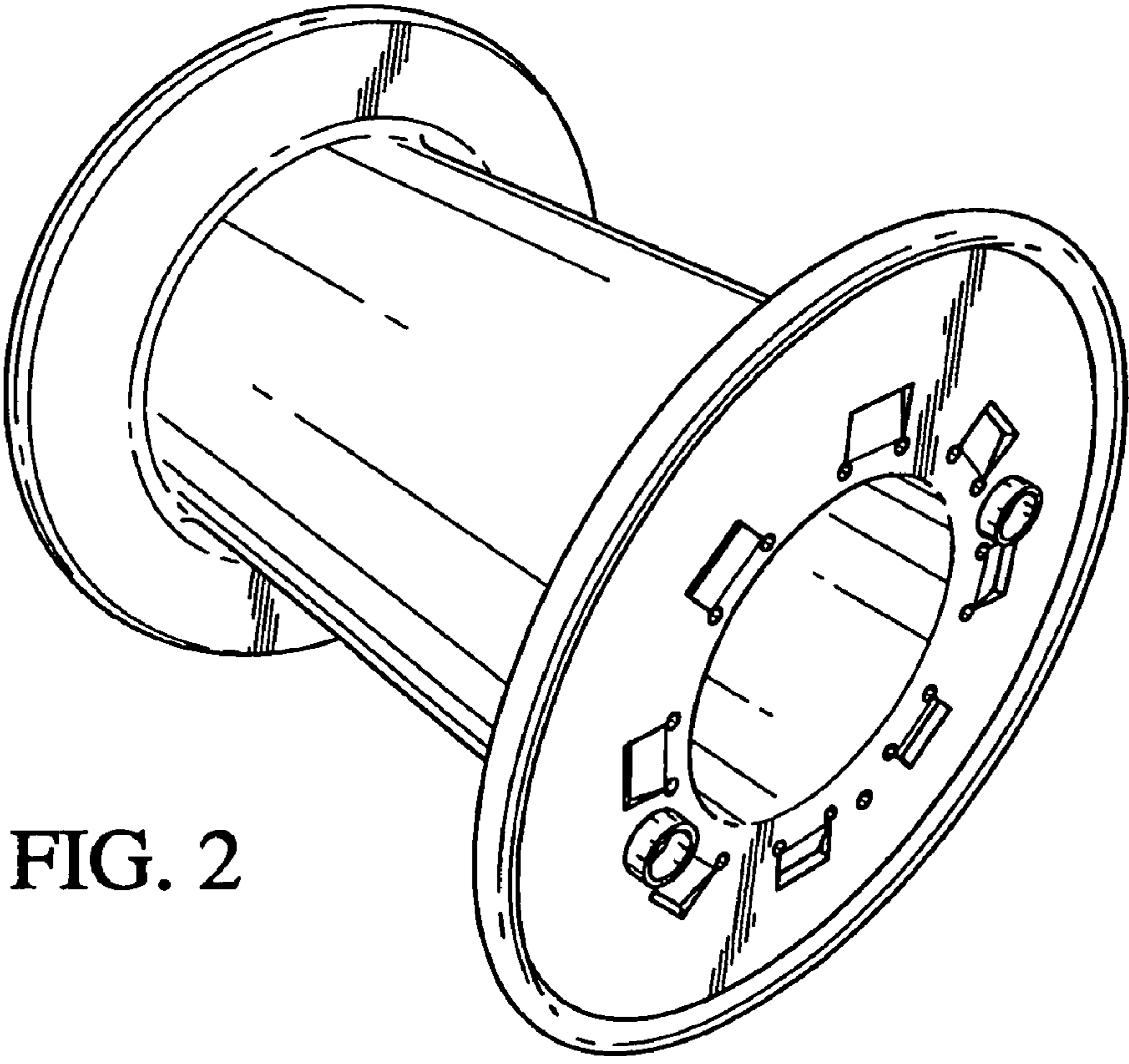


FIG. 2

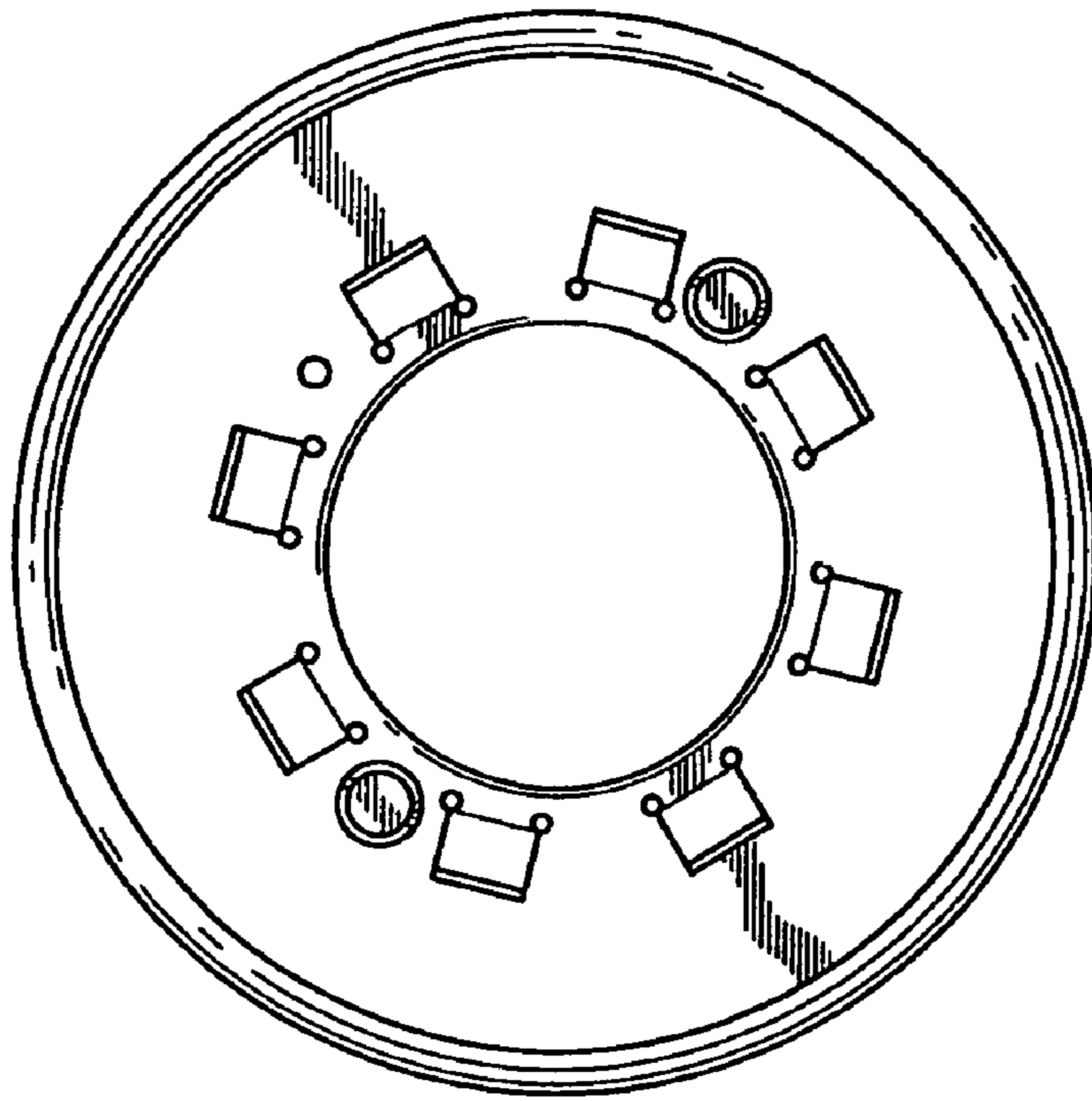


FIG. 3

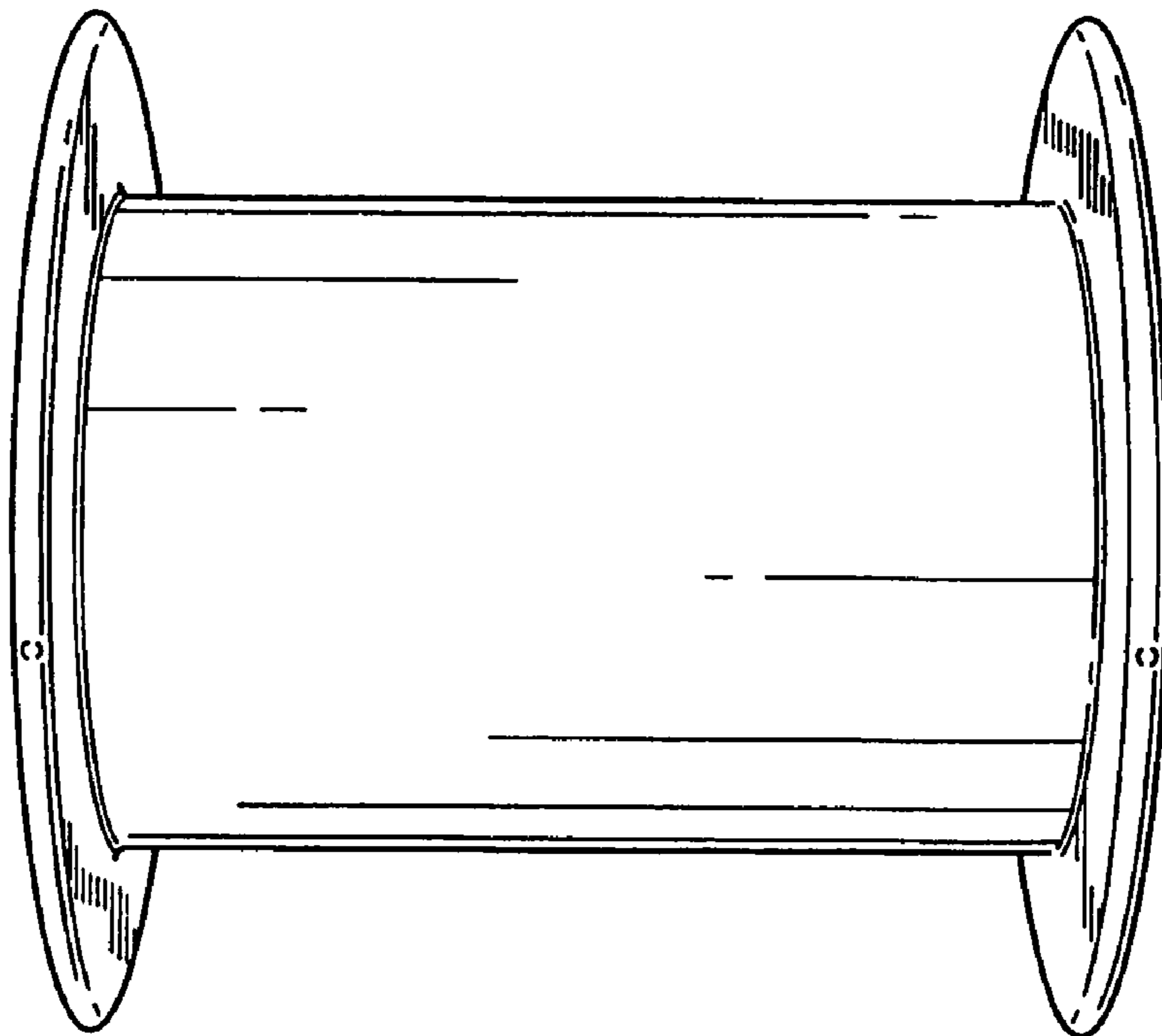


FIG. 4