



US00D623925S

(12) **United States Design Patent**
Wu

(10) **Patent No.:** **US D623,925 S**

(45) **Date of Patent:** **** Sep. 21, 2010**

(54) **LOCK BODY**

(76) **Inventor:** **Chun-Hsien Wu**, No. 717, Sec. 1, An
Zhong Rd., Tainan City (TW)

(**) **Term:** **14 Years**

(21) **Appl. No.:** **29/359,337**

(22) **Filed:** **Apr. 8, 2010**

(51) **LOC (9) Cl.** **08-07**

(52) **U.S. Cl.** **D8/339**

(58) **Field of Classification Search** D8/330,
D8/331, 339, 343, 344, 382, 383; 70/14,
70/57, 57.1, 58, 208, 368, 419, 431, 226,
70/19, DIG. 81, 237, 295; 282/339, DIG. 8,
282/307 R, 317-319, 323

See application file for complete search history.

(56) **References Cited**

U.S. PATENT DOCUMENTS

5,144,822	A *	9/1992	Jan et al.	70/209
5,174,138	A *	12/1992	Shen	70/209
5,299,438	A *	4/1994	Chen	70/209
D362,172	S *	9/1995	Lo	D8/339
D370,840	S *	6/1996	Tsai	D8/339
5,557,956	A *	9/1996	Merz	70/209
6,131,969	A *	10/2000	Natkins	292/323
D449,774	S *	10/2001	Ling	D8/339
D471,785	S *	3/2003	Yu	D8/331
D571,637	S *	6/2008	Littrell et al.	D8/339

* cited by examiner

Primary Examiner—Prabhakar Deshmukh

(74) *Attorney, Agent, or Firm*—WPAT, P.C.; Anthony King

(57) **CLAIM**

I claim, the ornamental design for a lock body, as shown and described.

DESCRIPTION

FIG. 1 is a perspective view of a lock body showing my new design;

FIG. 2 is a front elevational view thereof;

FIG. 3 is a rear elevational view thereof;

FIG. 4 is a left side elevational view thereof;

FIG. 5 is a right side elevational view thereof;

FIG. 6 is a top plan view thereof;

FIG. 7 is a bottom plan view thereof;

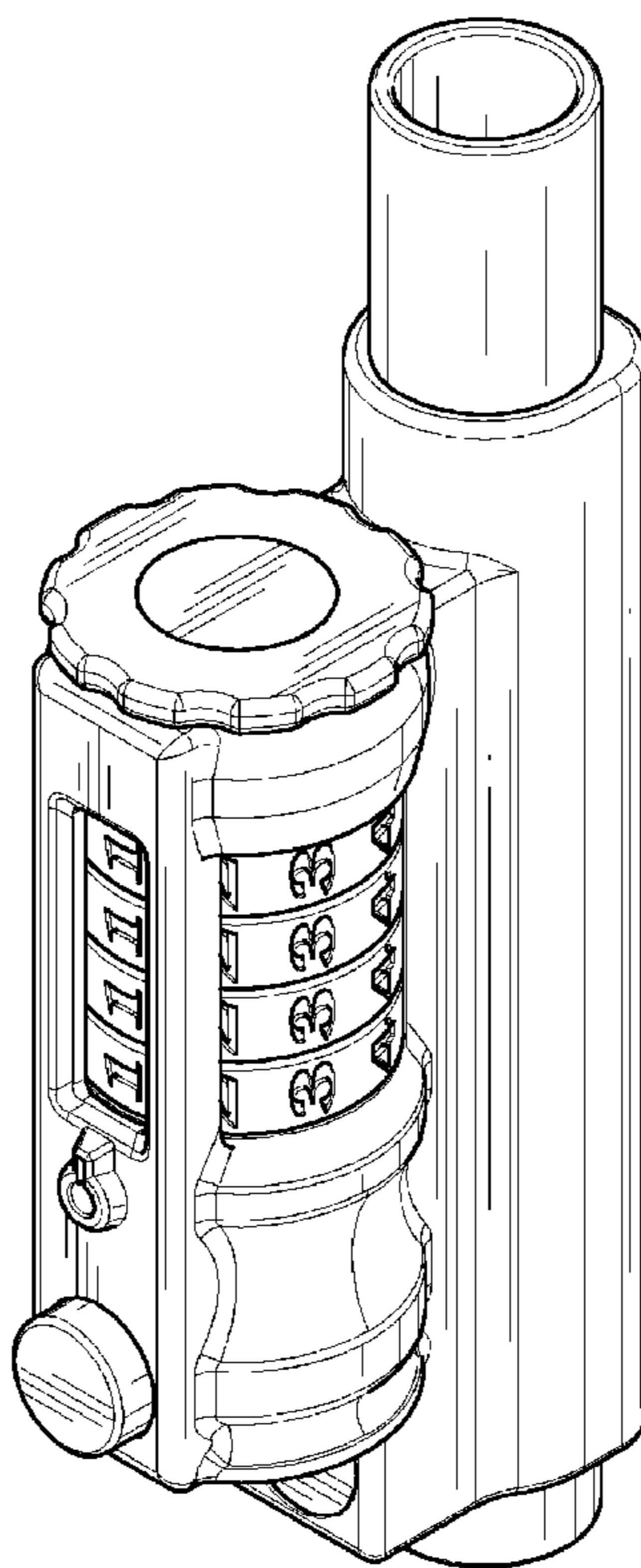
FIG. 8 is a perspective view thereof, with the article shown in its environmental use;

FIG. 9 is another perspective view thereof, with the article shown in its environmental use; and,

FIG. 10 is another perspective view thereof, with the article shown in its environmental use.

The broken lines showing the environment is for illustrative purpose only and forms no part of the claimed design.

1 Claim, 8 Drawing Sheets



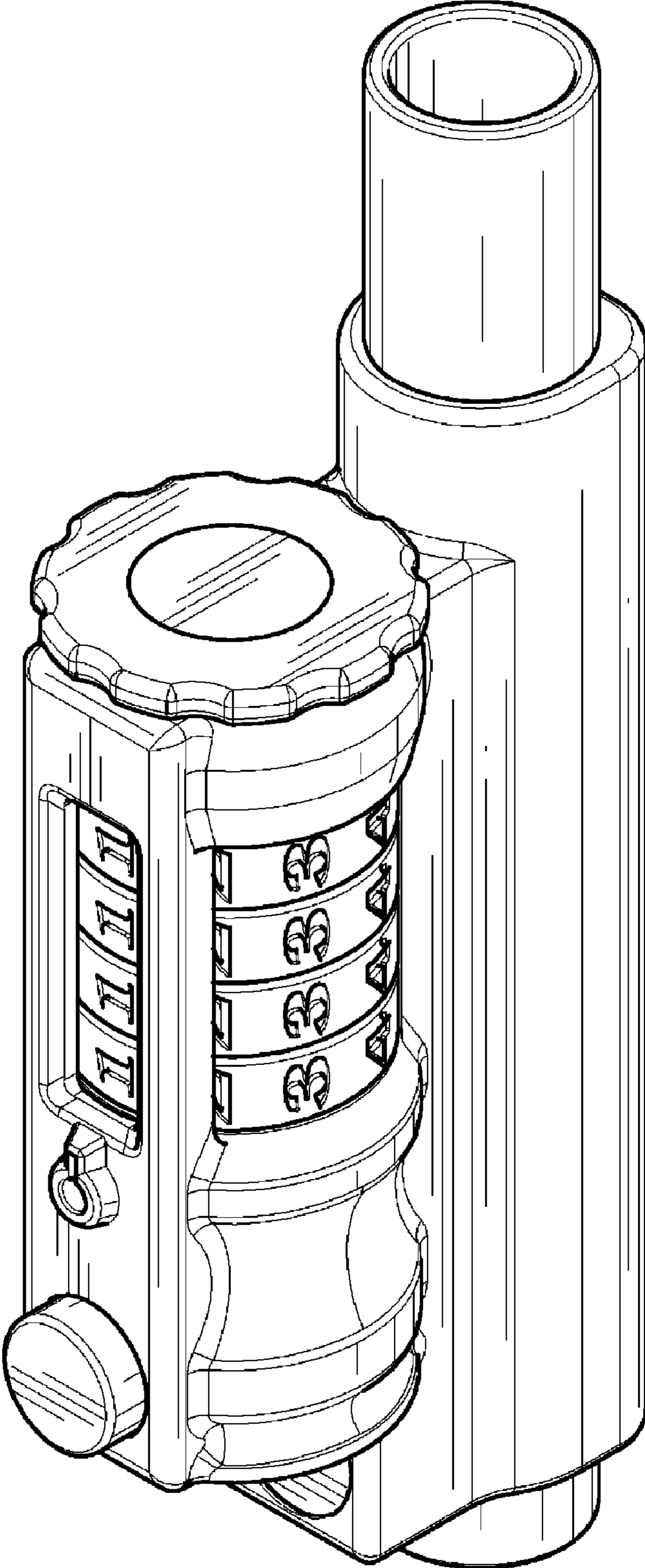


FIG . 1

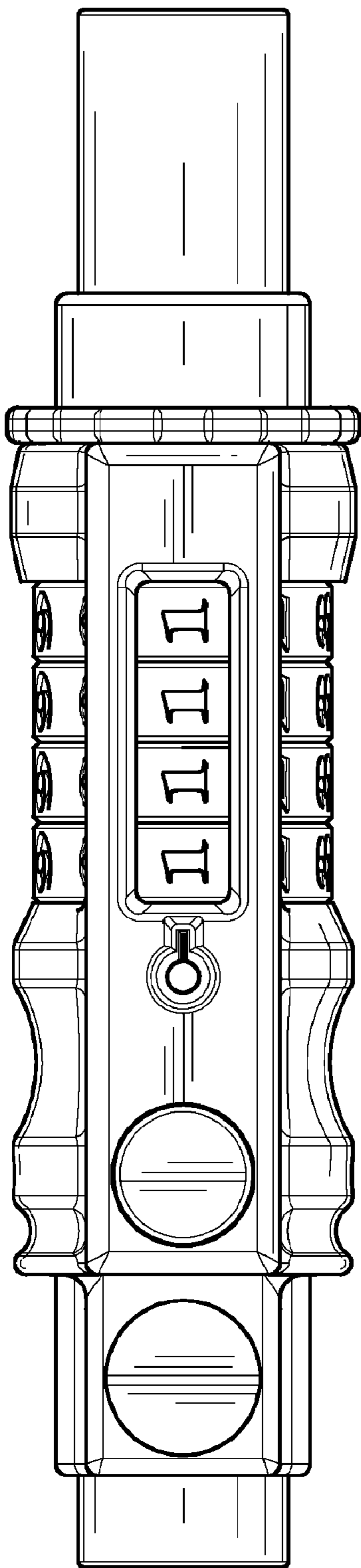


FIG. 2

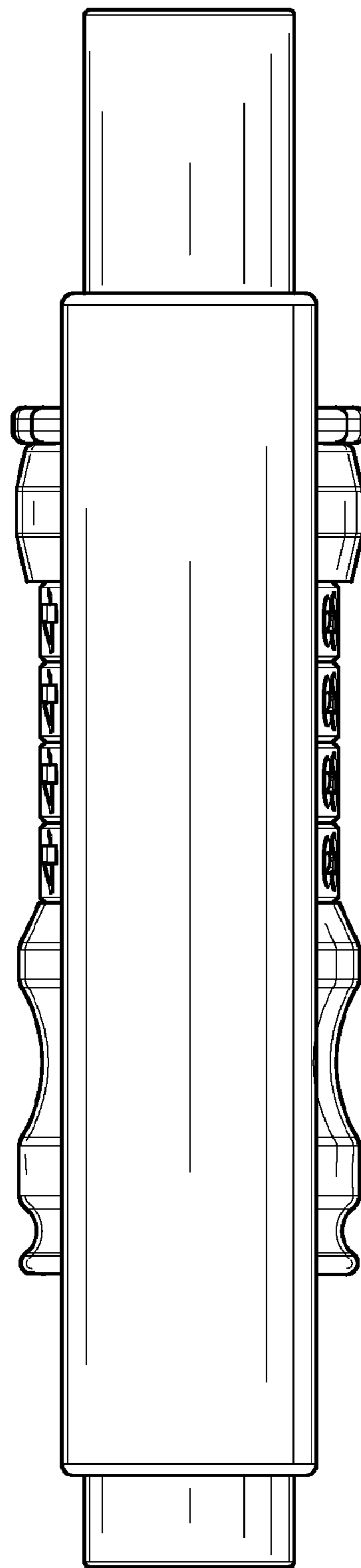


FIG. 3

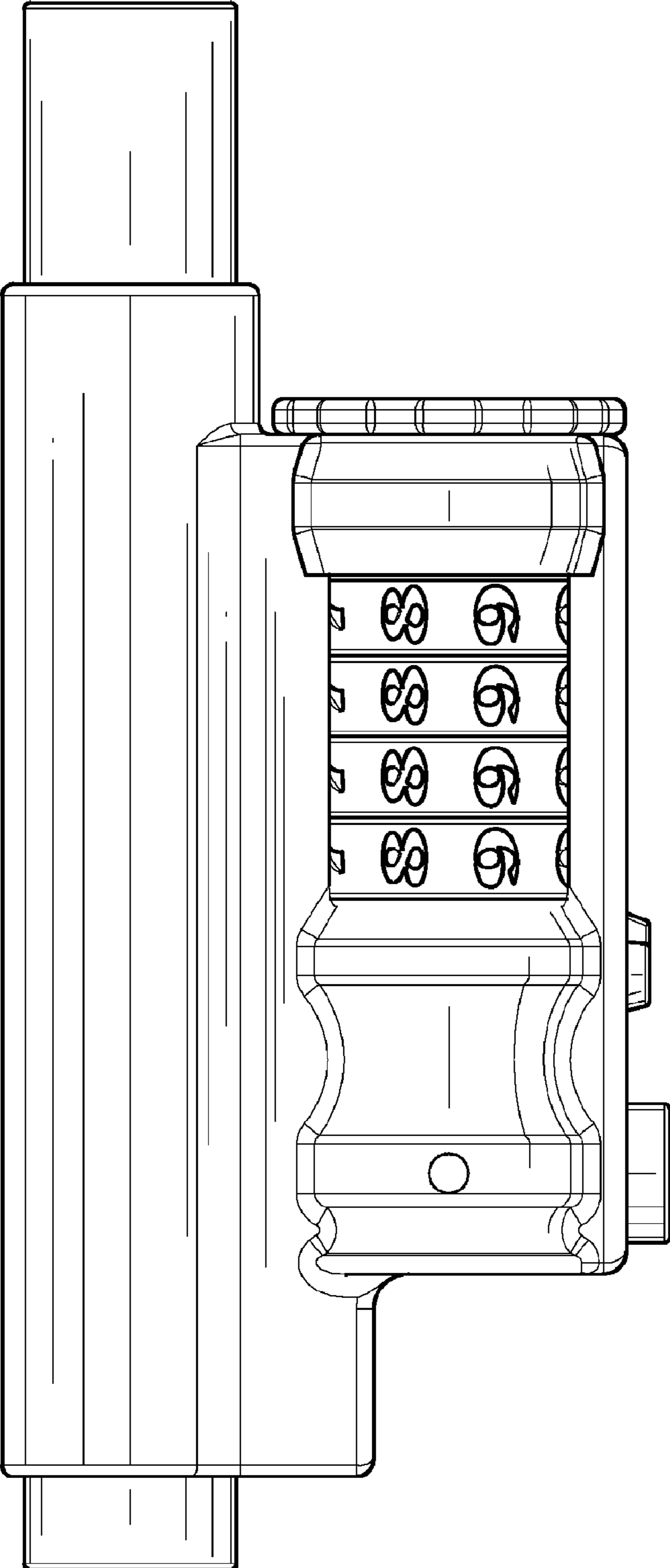


FIG . 4

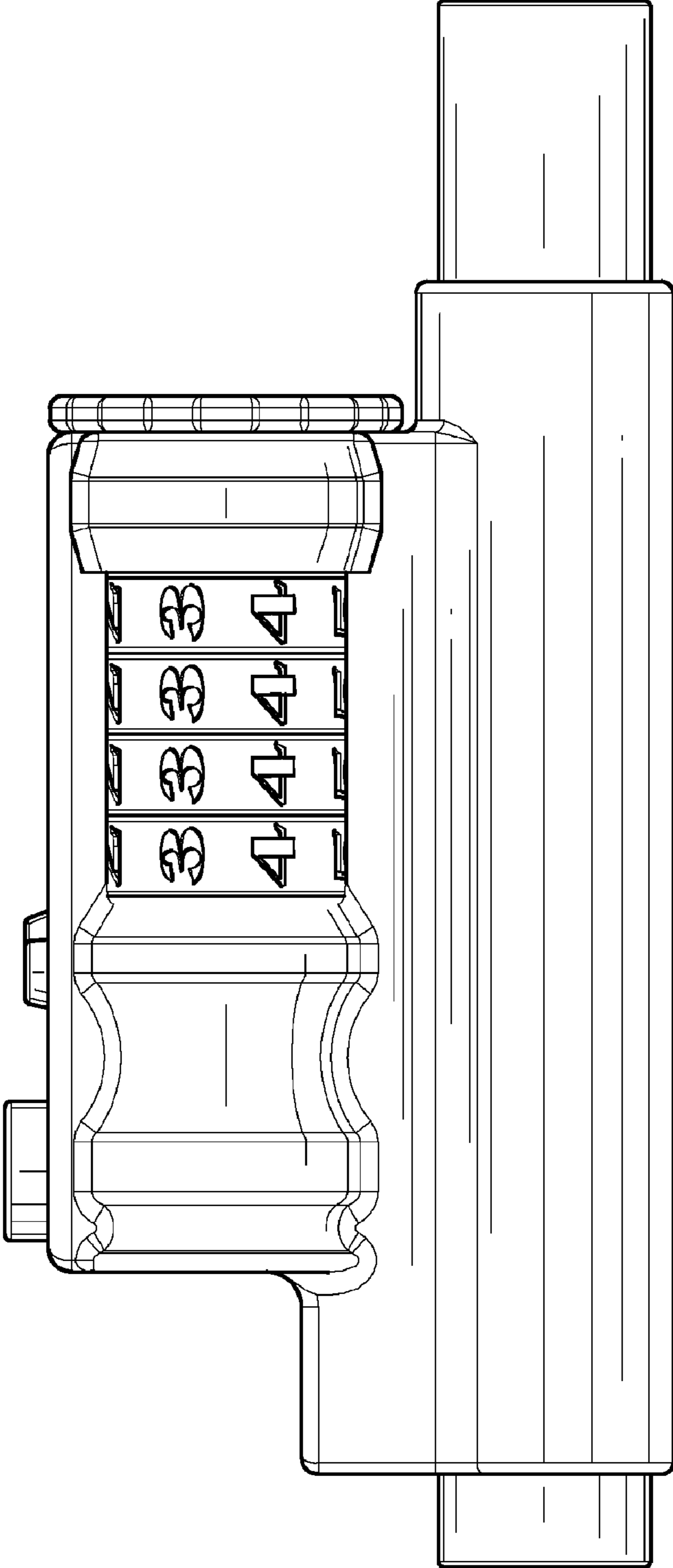


FIG. 5

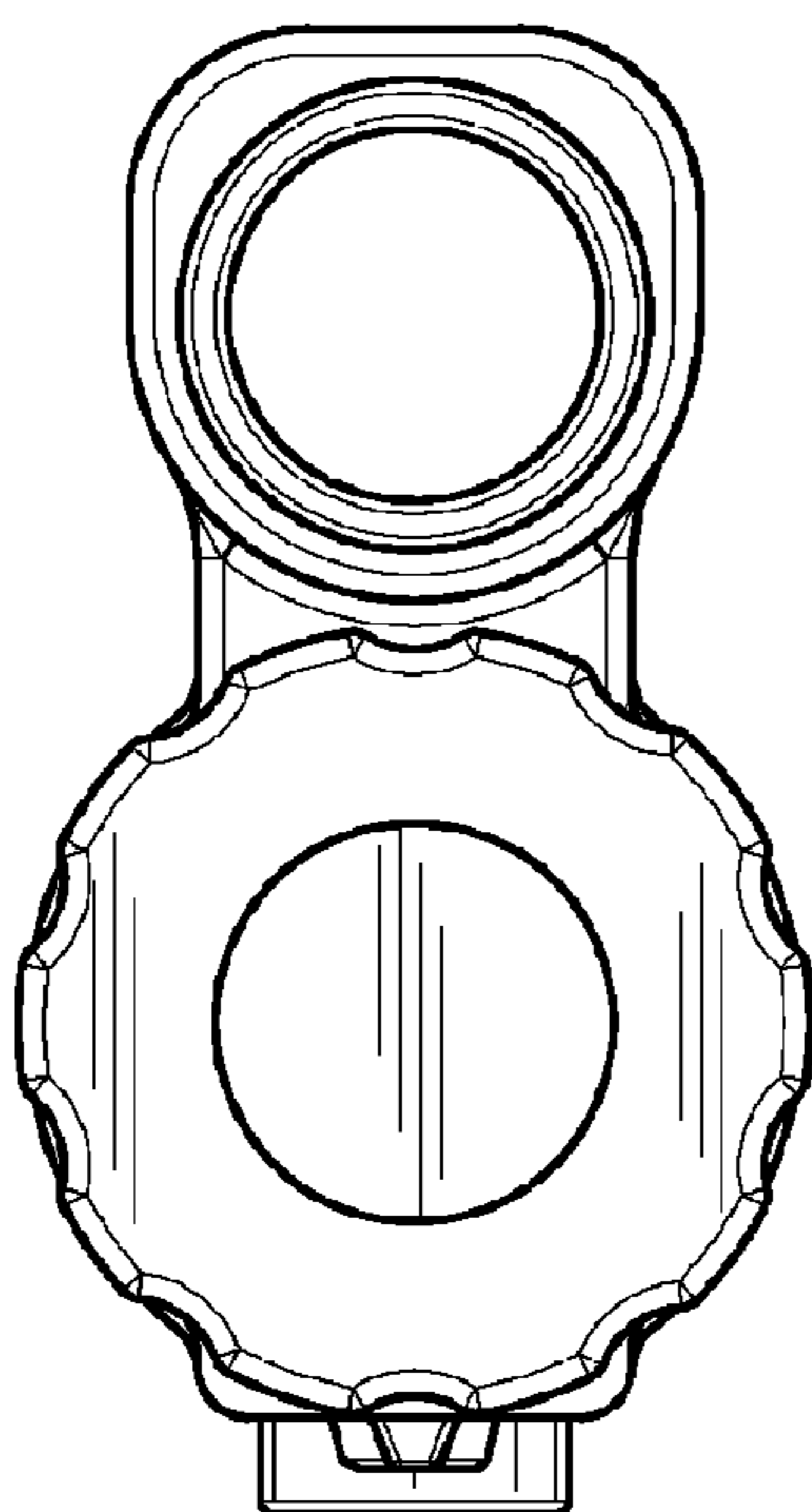


FIG. 6

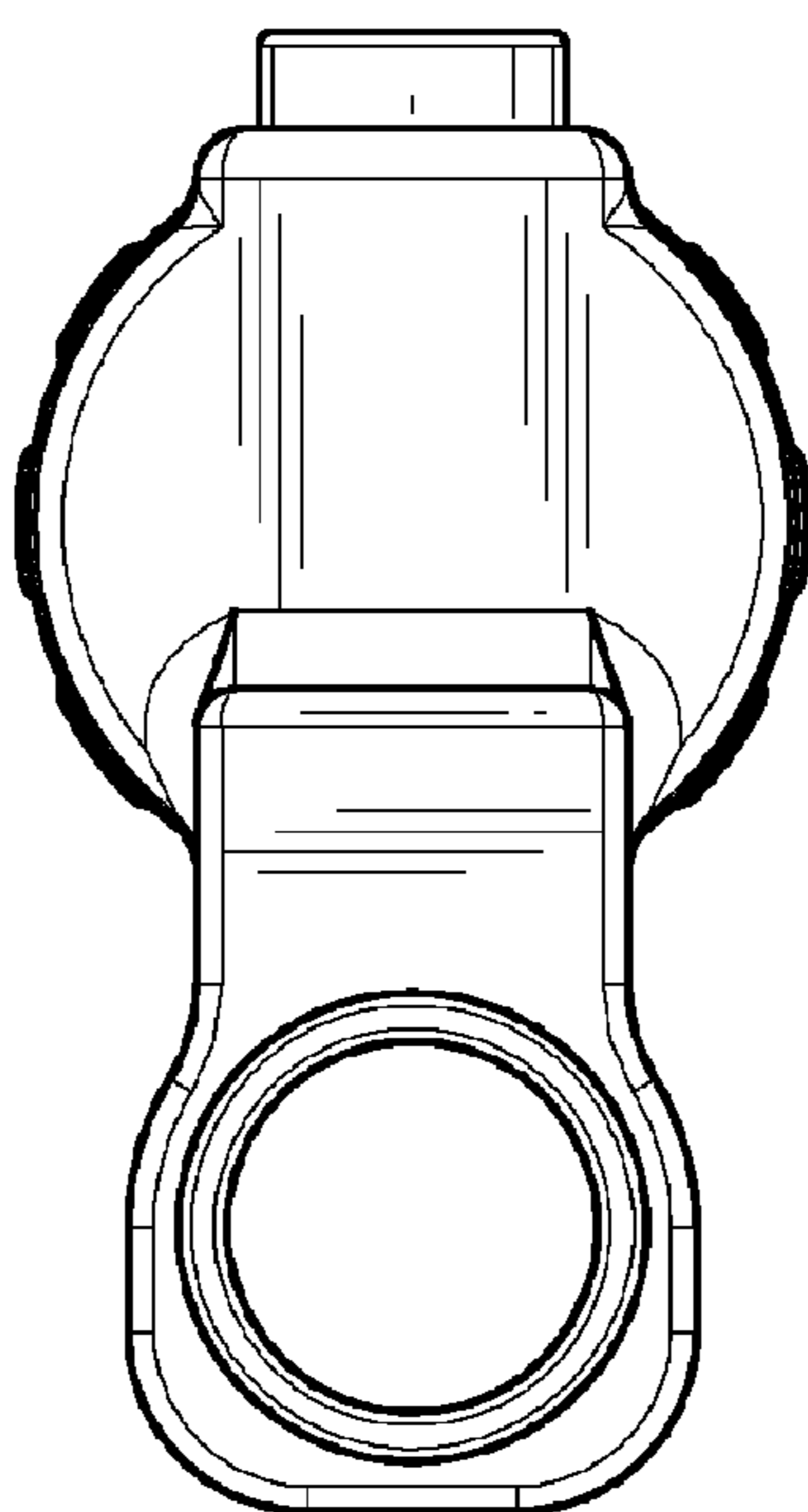


FIG. 7

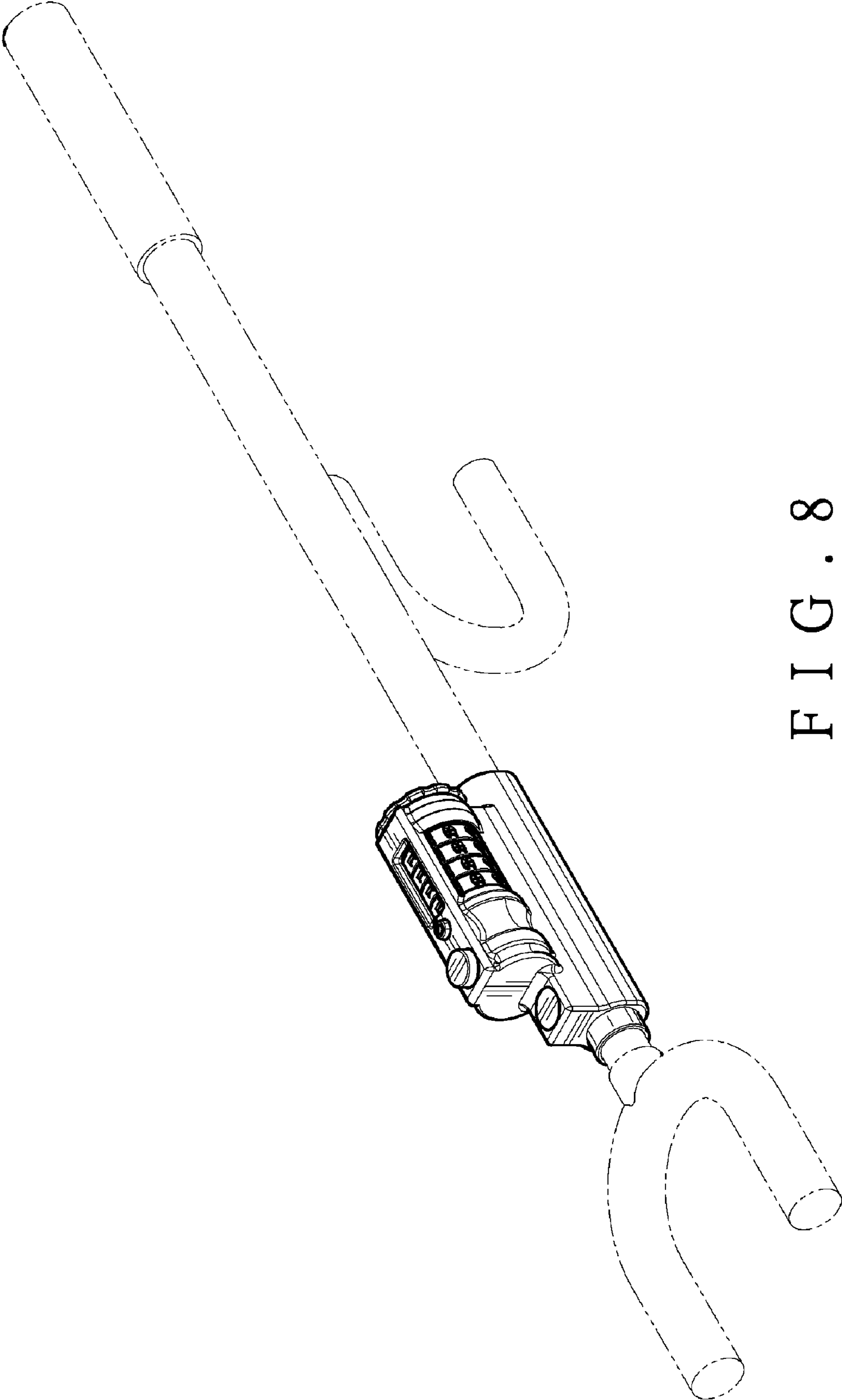


FIG. 8

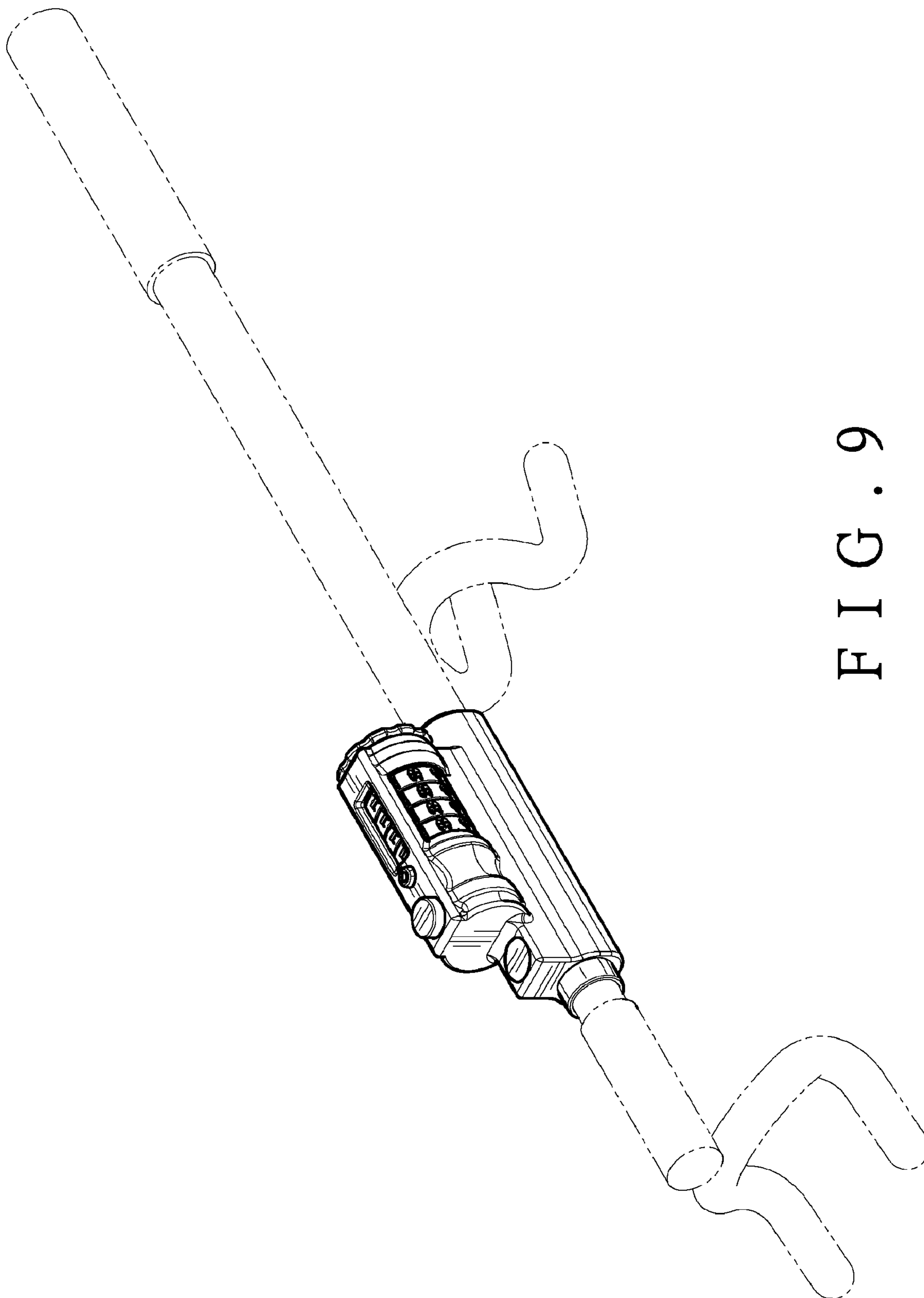


FIG. 9

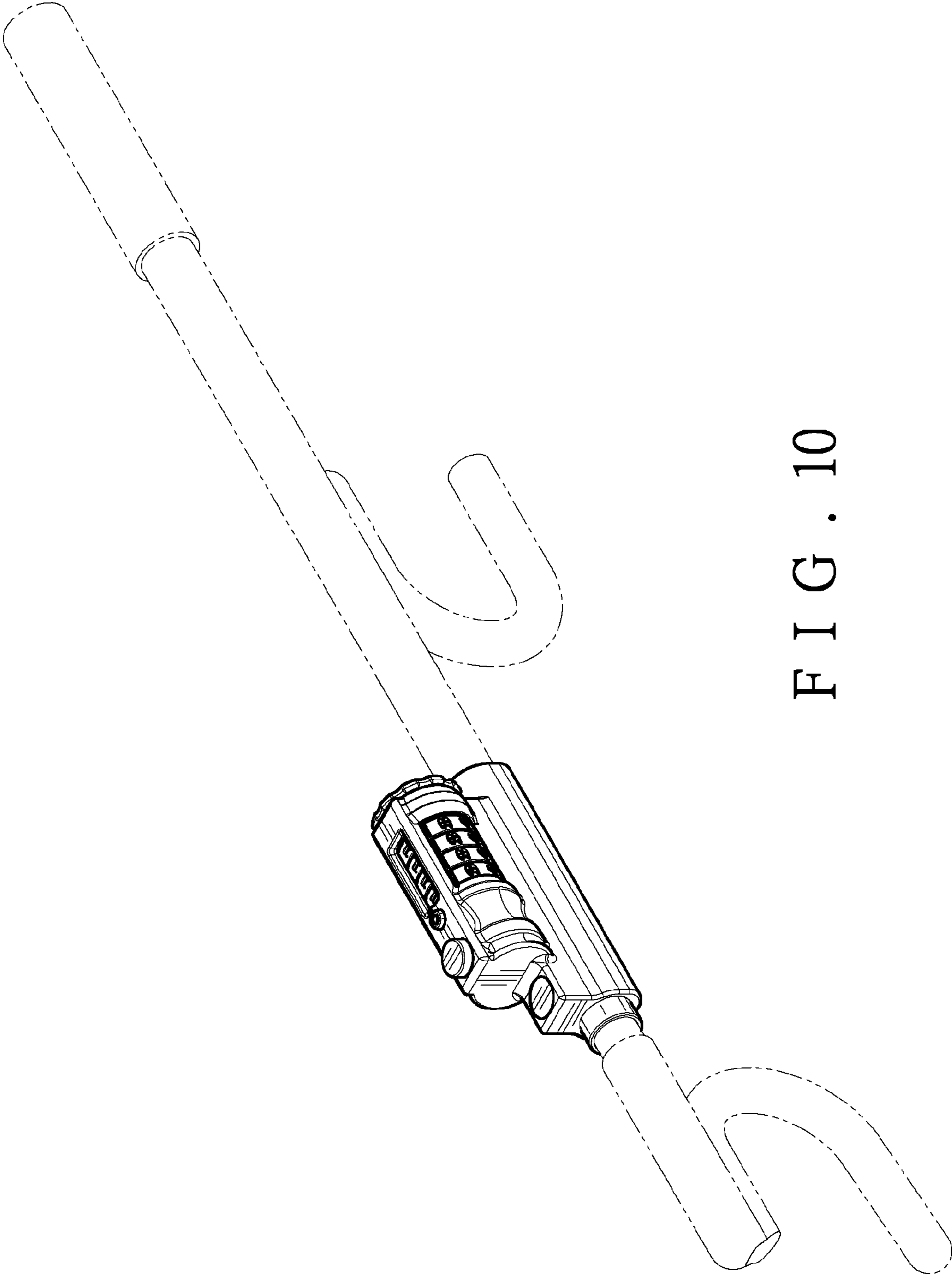


FIG . 10