



US00D623924S

(12) **United States Design Patent**
Moore, Jr.

(10) **Patent No.:** **US D623,924 S**

(45) **Date of Patent:** **** Sep. 21, 2010**

(54) **POST LEVEL**

(76) **Inventor:** **Anderson E. Moore, Jr.**, 936 Goal Post Rd., Centerville, OH (US) 45458

(**) **Term:** **14 Years**

(21) **Appl. No.:** **29/316,890**

(22) **Filed:** **Nov. 12, 2009**

(51) **LOC (9) Cl.** **08-06**

(52) **U.S. Cl.** **D8/328**

(58) **Field of Classification Search** D8/328,
D8/323, 324, 330, 325, 327, 331, 336, 353,
D8/338; D16/334; 4/236, 240; 16/309,
16/235, 275, 244, 379, 390, 430, 241, 238,
16/245, 236, 243, 242, 385, 225, 250; 49/381;
D23/302, 303; 248/682; D10/69; 33/347,
33/365-390

See application file for complete search history.

(56) **References Cited**

U.S. PATENT DOCUMENTS

- D141,088 S * 5/1945 Boyce D10/62
- 3,482,368 A * 12/1969 Stansbury, Jr. 52/469
- 4,970,796 A 11/1990 Masters et al.
- D332,058 S * 12/1992 Gruetzmacher D10/69
- 5,207,004 A * 5/1993 Gruetzmacher 33/379
- D356,047 S * 3/1995 Owens et al. D10/69

- 6,388,345 B1 * 5/2002 Stimpson 307/119
- D500,691 S * 1/2005 Fesmire D10/69
- D544,382 S * 6/2007 Bowers D10/69
- 7,328,480 B2 * 2/2008 Schoemann 16/225

* cited by examiner

Primary Examiner—Robert M Spear

Assistant Examiner—Cynthia Underwood

(74) *Attorney, Agent, or Firm*—Jacox, Meckstroth & Jenkins

(57) **CLAIM**

The ornamental design of a post level, as shown and described.

DESCRIPTION

FIG. 1 is a perspective view of a post level showing my new design;

FIG. 2 is a front view thereof;

FIG. 3 is a side view thereof, the opposite side view being a mirror image;

FIG. 4 is a rear view thereof;

FIG. 5 is a top view thereof; and,

FIG. 6 is a bottom view thereof.

The broken lines represent portions of the structure that form no part of the claim.

1 Claim, 2 Drawing Sheets

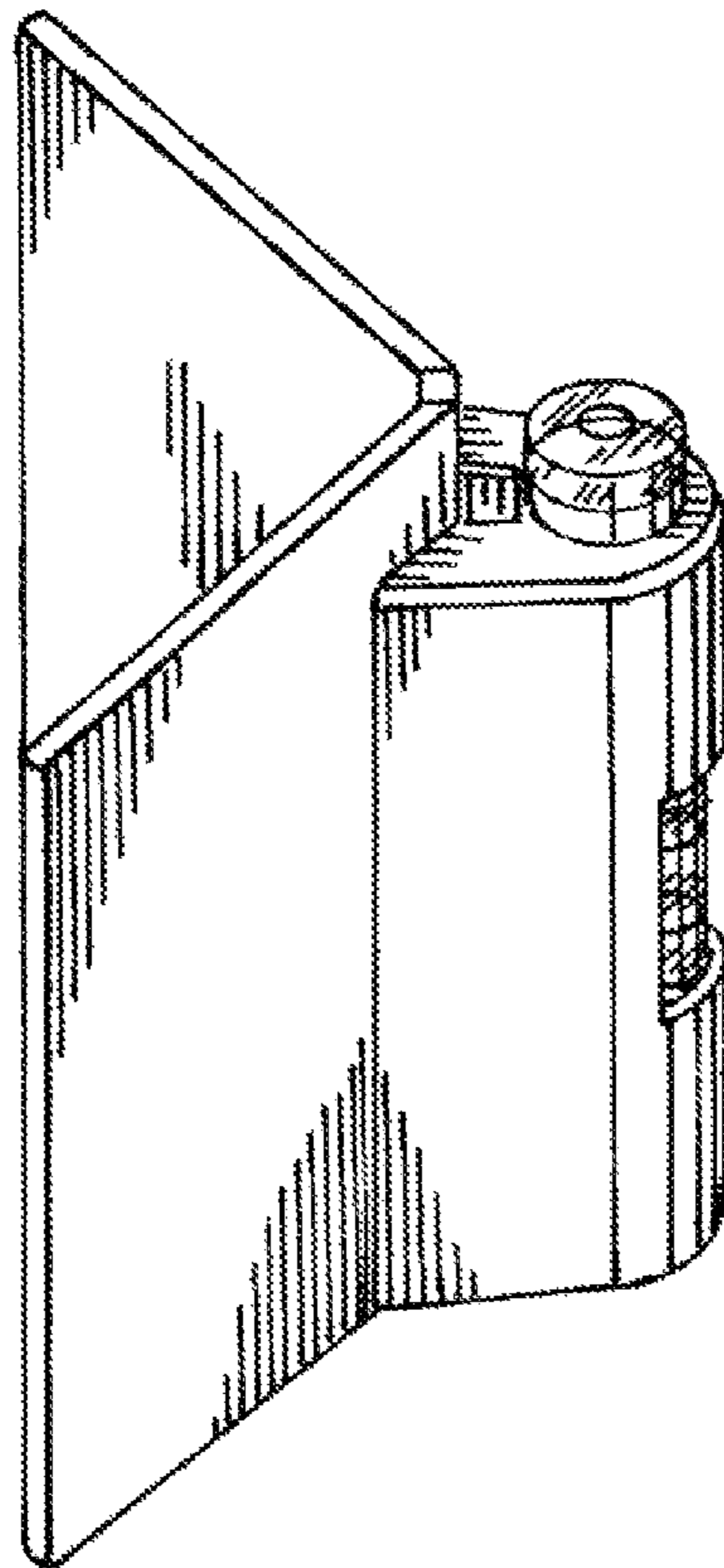


FIG-1

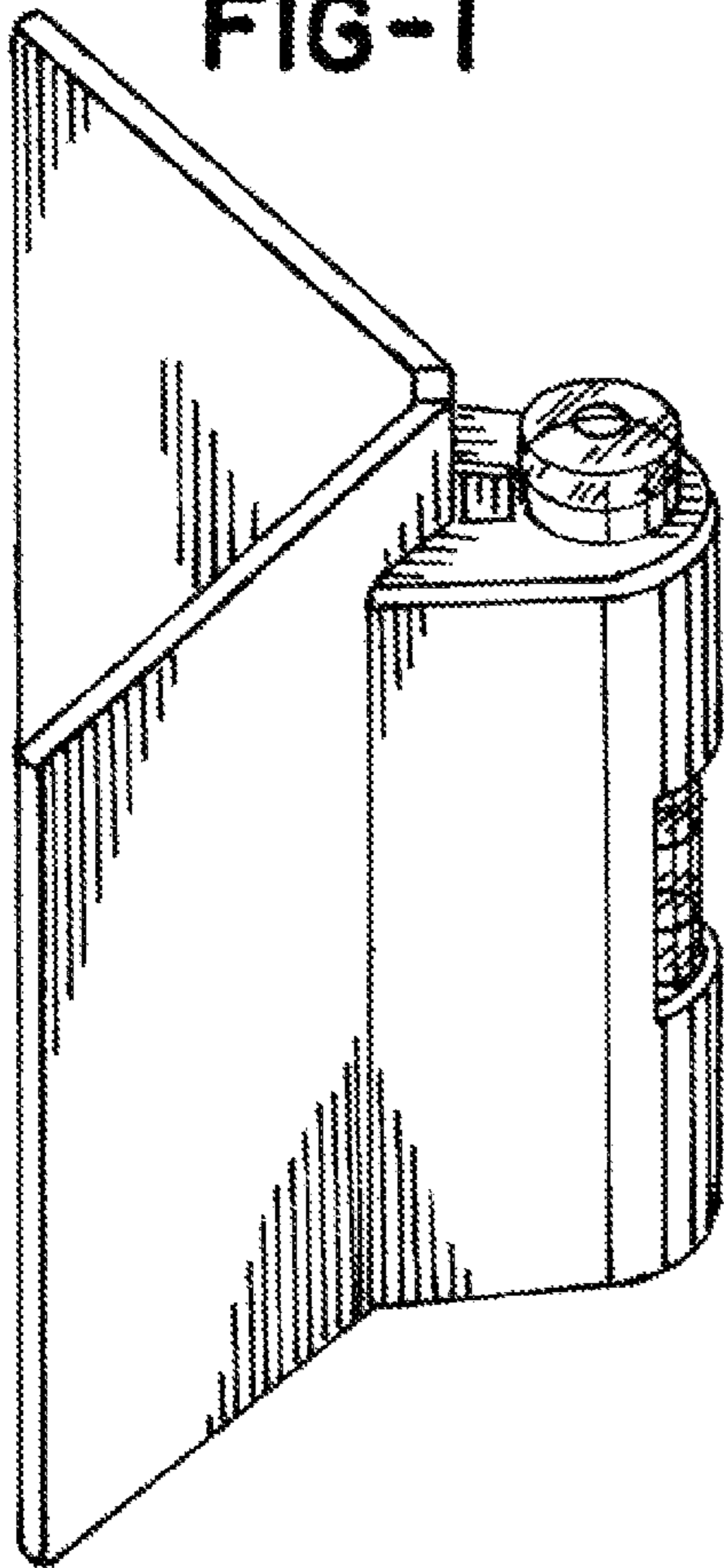


FIG-2

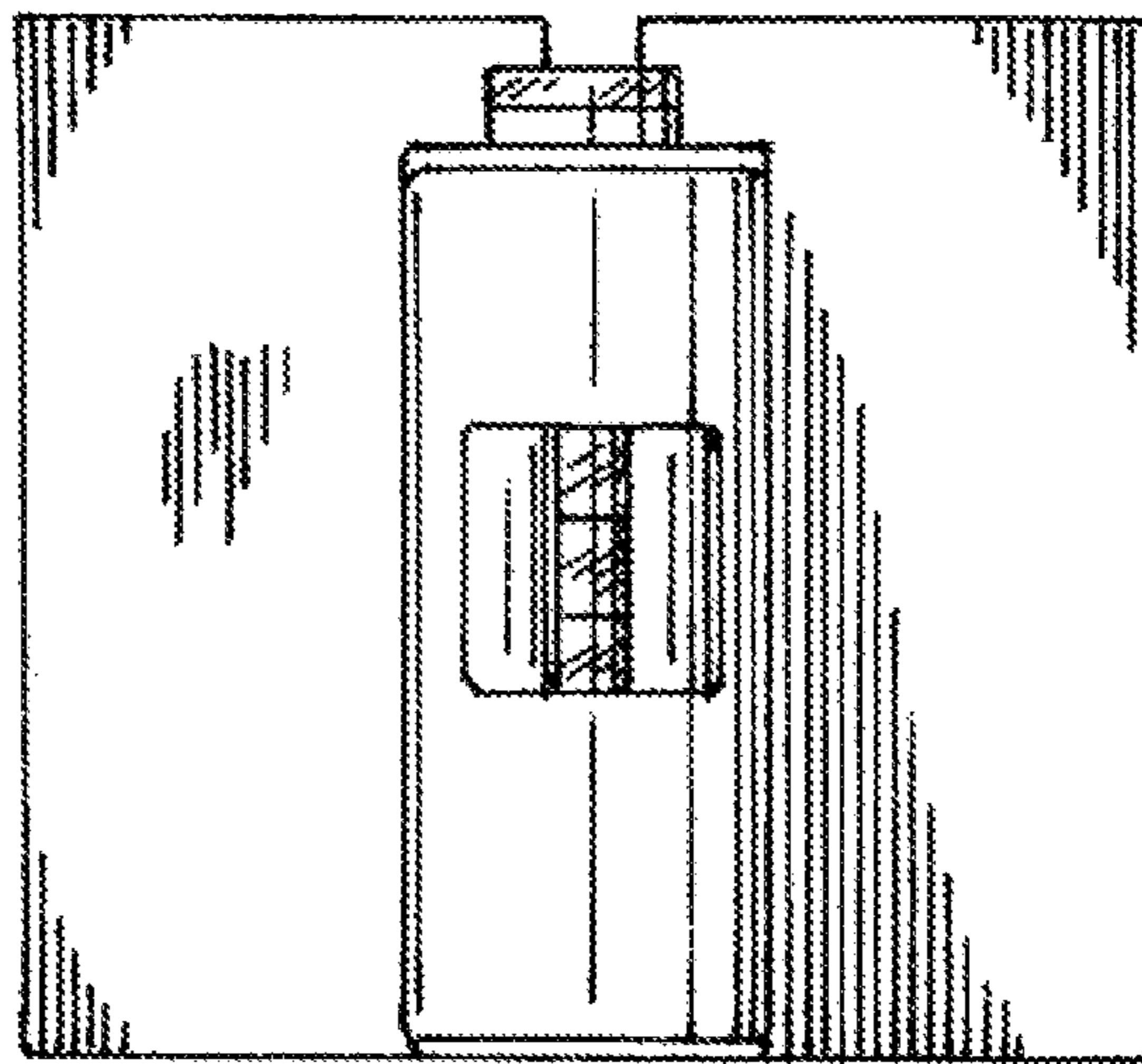


FIG-3

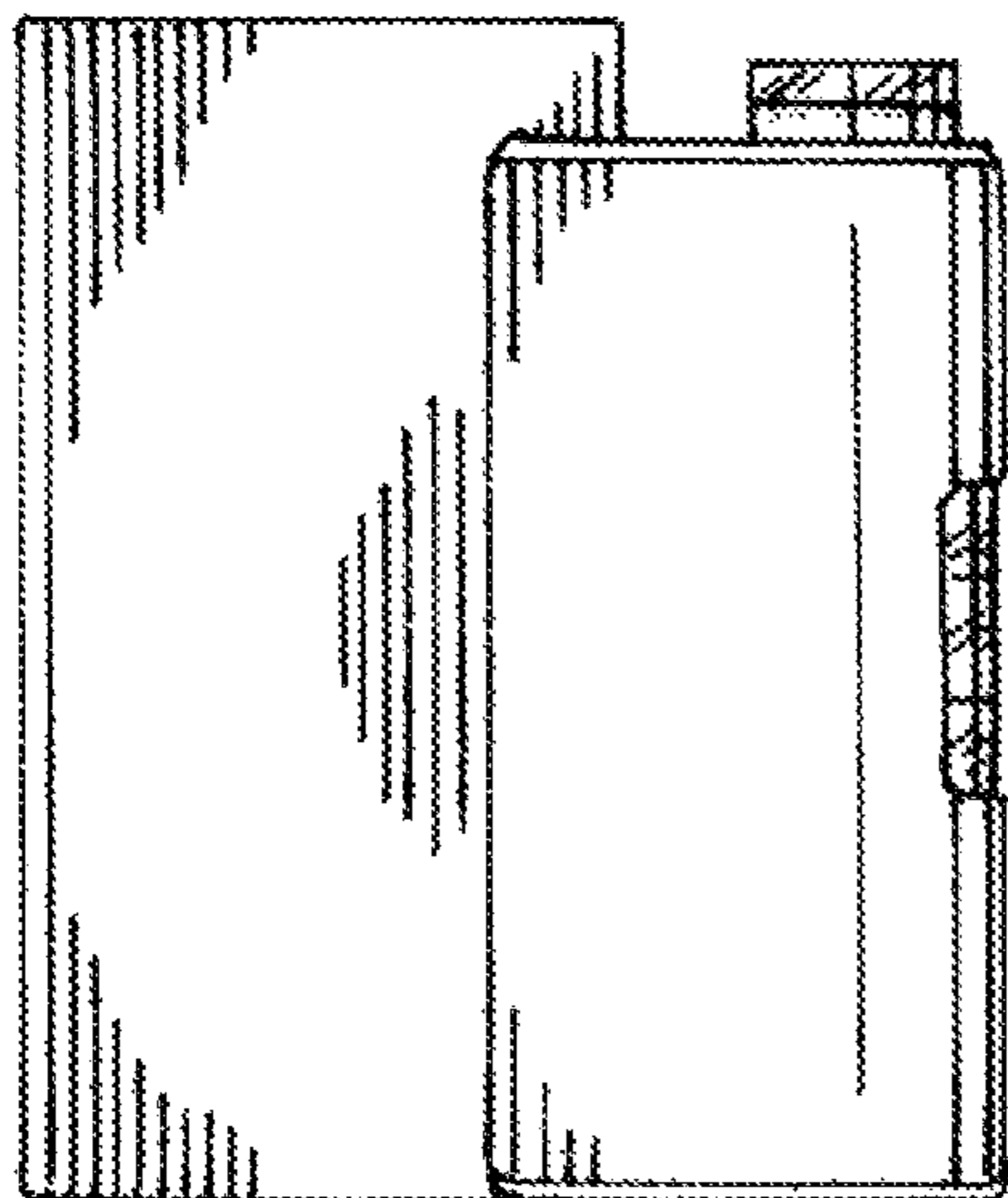


FIG-4

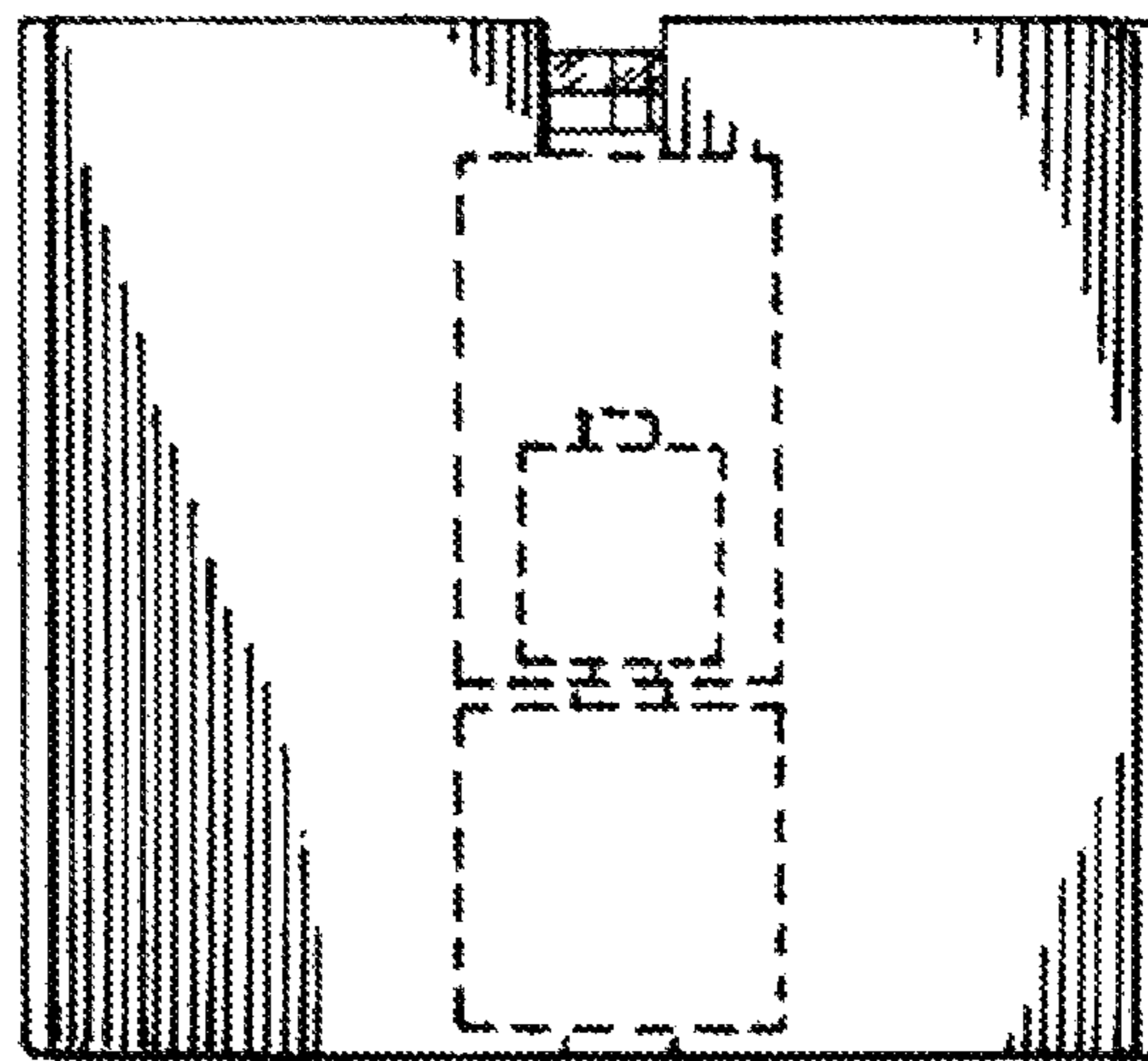


FIG-5

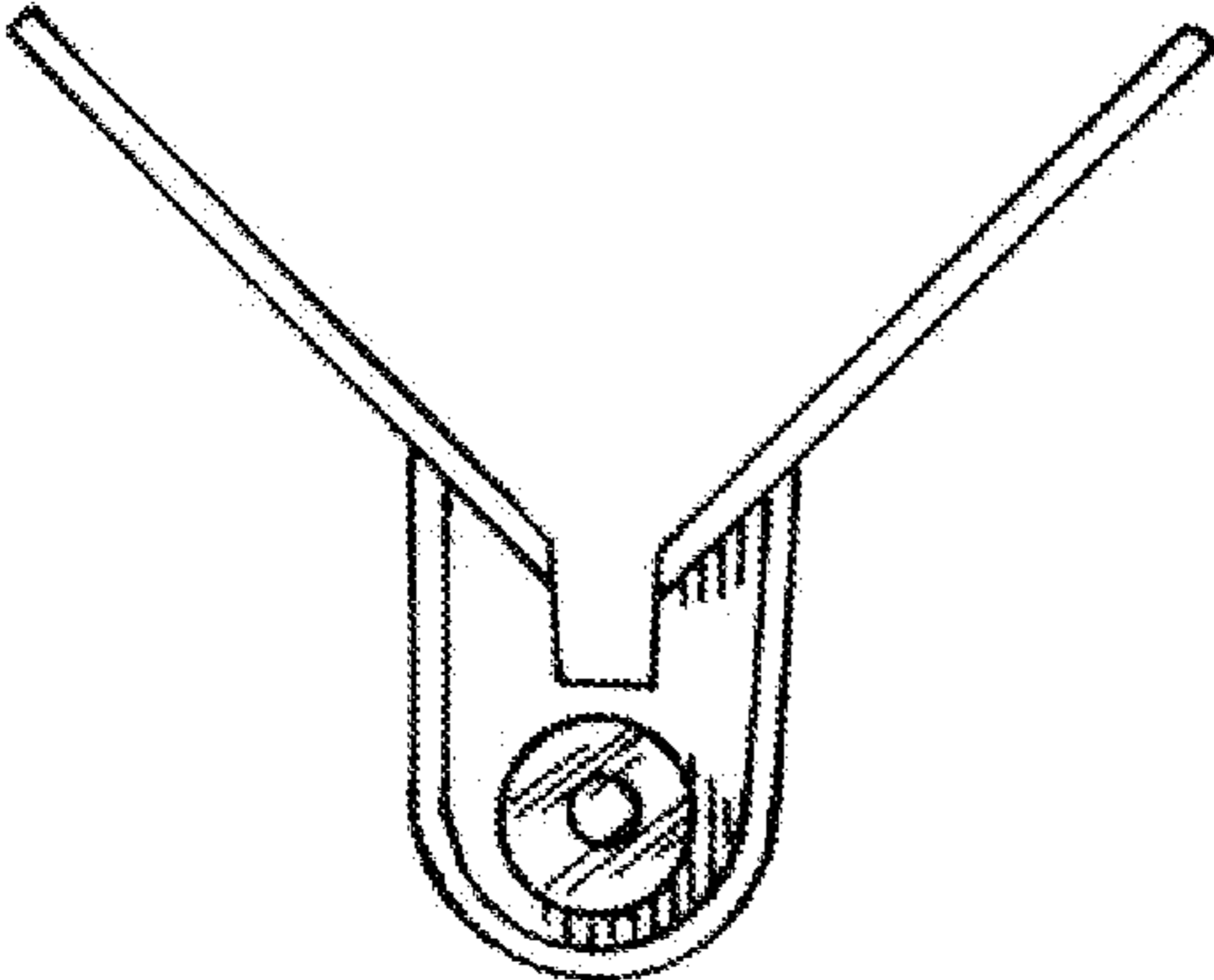


FIG-6

