



US00D623923S

(12) **United States Design Patent**
Edwards et al.

(10) **Patent No.:** **US D623,923 S**
(45) **Date of Patent:** **** Sep. 21, 2010**

(54) **TOILET SEAT HINGE**

6,095,820 A * 8/2000 Luxon et al. 343/702
D441,265 S * 5/2001 Kilduff D8/39

(75) Inventors: **Merle Edwards**, Guangdong (CN);
John Seaman, Sheboygan Falls, WI
(US); **Brian LeMahieu**, Sheboygan, WI
(US); **Patrick J. Raymakers**,
Sheboygan, WI (US)

(Continued)

FOREIGN PATENT DOCUMENTS

(73) Assignee: **Bemis Manufacturing Company**,
Sheboygan Falls, WI (US)

TW 590001 6/2004

(**) Term: **14 Years**

(Continued)

(21) Appl. No.: **29/356,362**

Primary Examiner—Robert M Spear

Assistant Examiner—Cynthia Underwood

(22) Filed: **Feb. 24, 2010**

(74) *Attorney, Agent, or Firm*—Michael Best & Friedrich
LLP

Related U.S. Application Data

(62) Division of application No. 29/324,022, filed on Sep.
4, 2008, now Pat. No. Des. 614,474.

(57) **CLAIM**

I claim the ornamental design for a toilet seat hinge, as shown
and described.

(51) **LOC (9) Cl.** **08-06**

(52) **U.S. Cl.** **D8/326; D8/323; D23/311**

(58) **Field of Classification Search** D8/355,
D8/381, 323–330; 4/236, 240; D23/302,
D23/303, 311; 16/309, 235, 275, 244, 379,
16/390, 430, 241, 238, 245, 236, 243, 242;
49/381

DESCRIPTION

See application file for complete search history.

FIG. 1 is a top perspective view of a toilet set hinge of the
invention.

FIG. 2 is a top plan view of the toilet seat hinge shown in FIG.
1.

FIG. 3 is a right side view of the toilet seat hinge shown in
FIG. 1, the left side view being a mirror image thereof.

FIG. 4 is a front elevational view of the toilet seat hinge shown
in FIG. 1; and,

FIG. 5 is a rear elevational view of the toilet seat hinge shown
in FIG. 1.

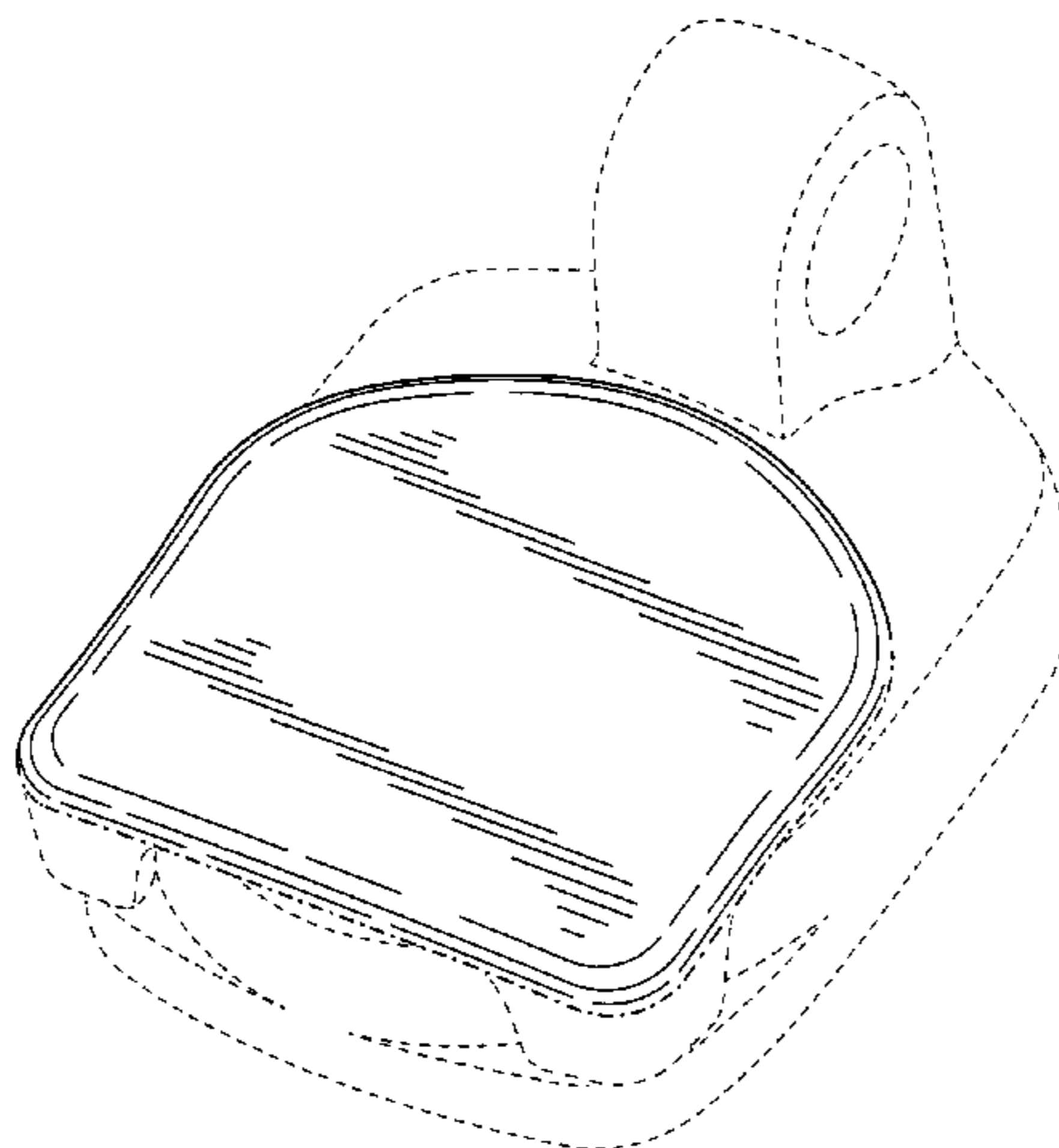
The portions of the toilet seat hinge shown in broken lines
illustrate environment and form no part of the claim. The
portions of the toilet seat hinge shown in dot-dash-dot con-
figuration illustrate the boundary of the claimed design and
form no part of the claim.

(56) **References Cited**

U.S. PATENT DOCUMENTS

1,959,266 A * 5/1934 Finnegan 361/814
D99,756 S 5/1936 Atwood
D192,783 S 5/1962 Coggins
4,449,015 A * 5/1984 Hotchkiss et al. 174/138 F
4,563,727 A * 1/1986 Curiel 362/183
4,666,799 A * 5/1987 Runquist et al. 429/101
4,974,262 A 12/1990 Rosen
D358,973 S 6/1995 Spaeth
D370,252 S 5/1996 Hulsebus
5,868,697 A * 2/1999 Richter et al. 604/8
D421,560 S 3/2000 Bourgain et al.
6,070,295 A 6/2000 Hulsebus

1 Claim, 3 Drawing Sheets



US D623,923 S

Page 2

U.S. PATENT DOCUMENTS

D449,674 S * 10/2001 Otte et al. D23/311
D470,231 S * 2/2003 Otte et al. D23/311
D481,924 S 11/2003 Hulsebus
6,704,966 B1 3/2004 Kao
D495,233 S 8/2004 Twomey
6,826,803 B2 12/2004 Twomey
D510,253 S 10/2005 Twomey
D519,159 S * 4/2006 Worthington et al. D20/1
7,203,975 B2 4/2007 Vierkant, III
D549,562 S * 8/2007 Browne et al. D8/373
D557,392 S * 12/2007 Mukai D23/311
D565,386 S 4/2008 Bladen et al.
D572,807 S 7/2008 Zhou

D593,655 S * 6/2009 De Lay D23/311
2003/0145429 A1 * 8/2003 Twomey 16/387
2004/0205883 A1 * 10/2004 Cecchin 4/237
2006/0064808 A1 * 3/2006 Vierkant, III 4/236
2007/0250996 A1 * 11/2007 Li 4/236
2009/0113610 A1 * 5/2009 Lin et al. 4/240
2009/0211128 A1 8/2009 Gemmell
2009/0235442 A1 9/2009 Lee
2010/0017946 A1 * 1/2010 Kannengiesser 4/236

FOREIGN PATENT DOCUMENTS

TW M314584 7/2007
TW M339281 9/2008

* cited by examiner

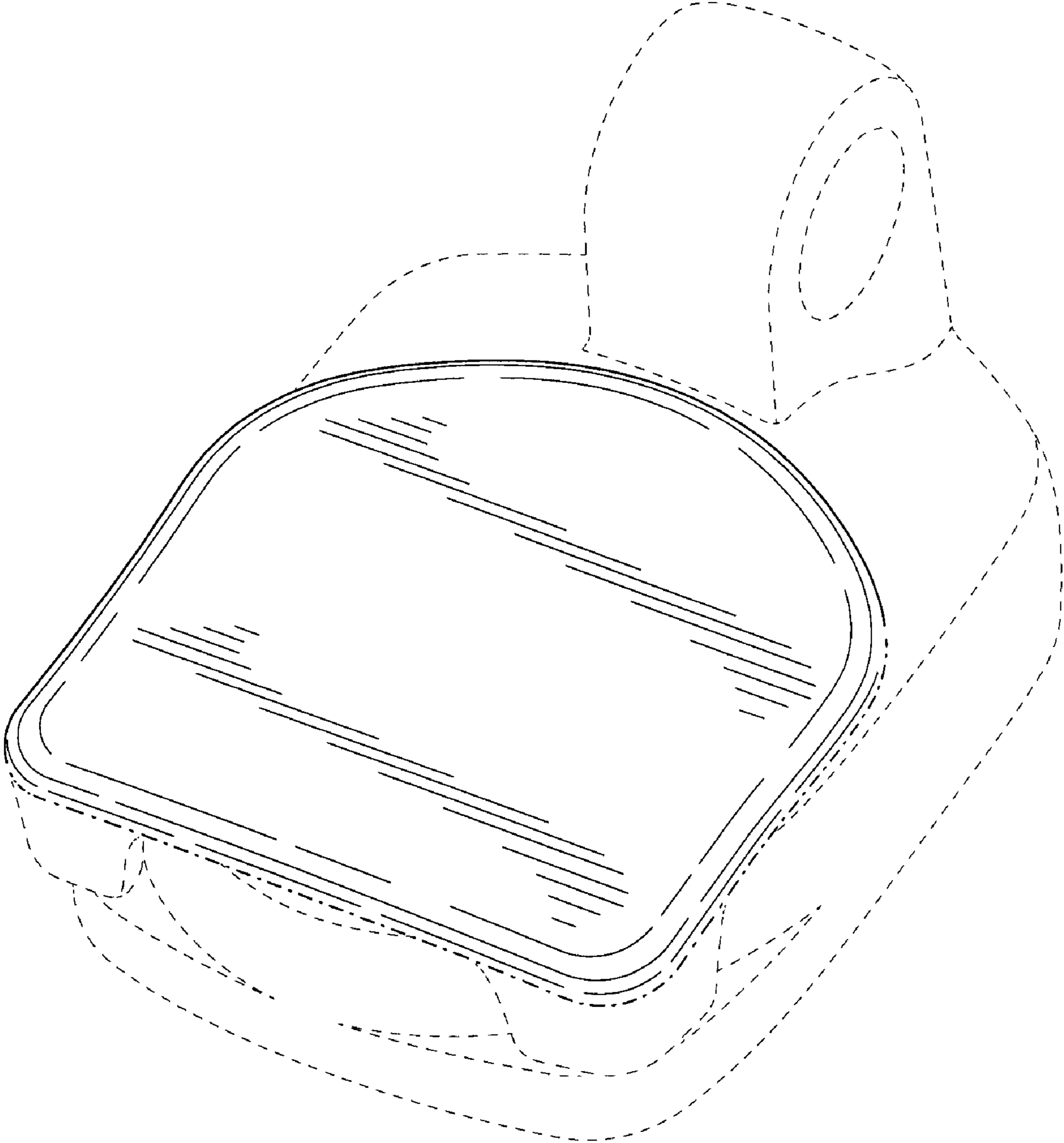


FIG. 1

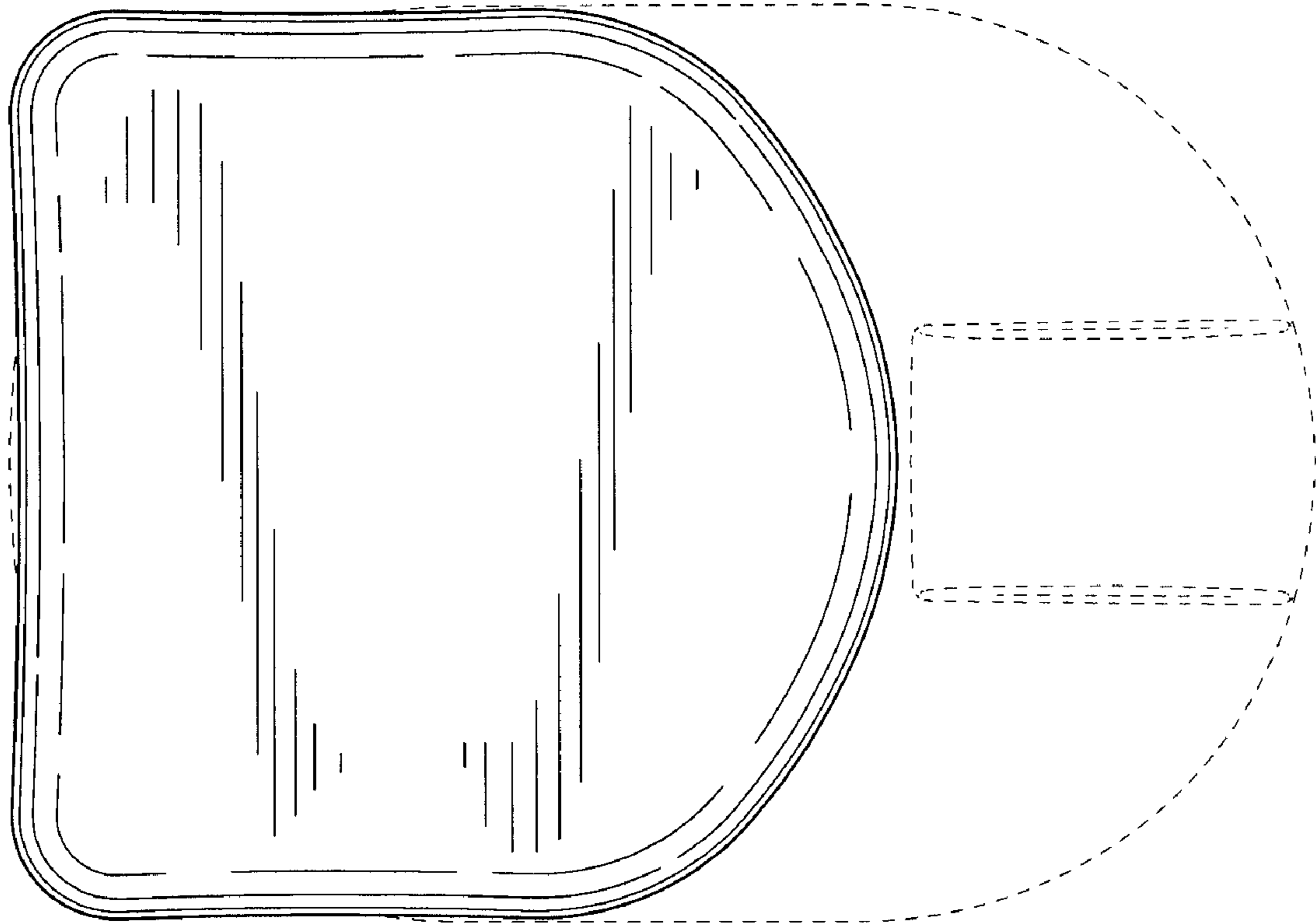


FIG. 2

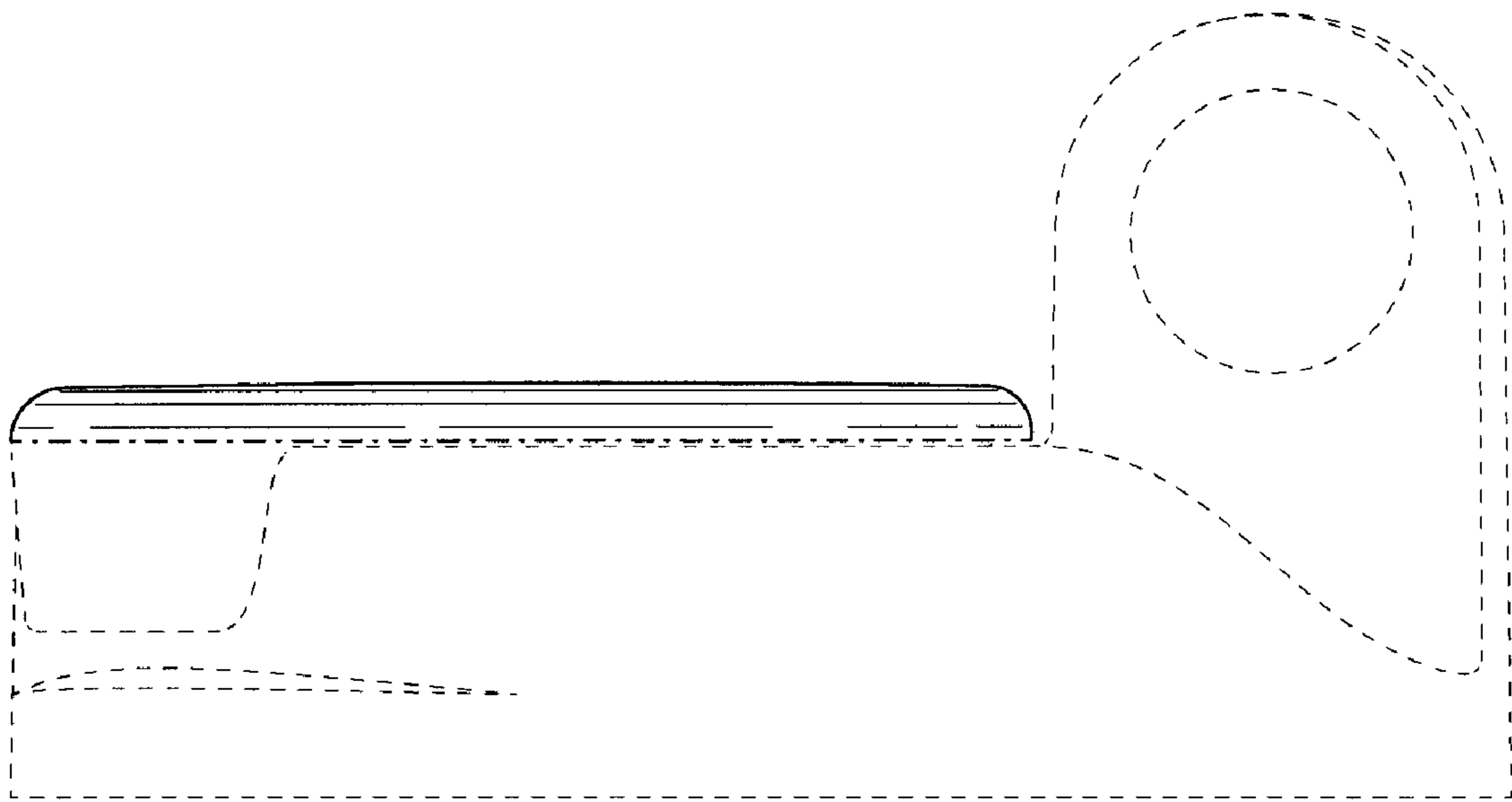


FIG. 3

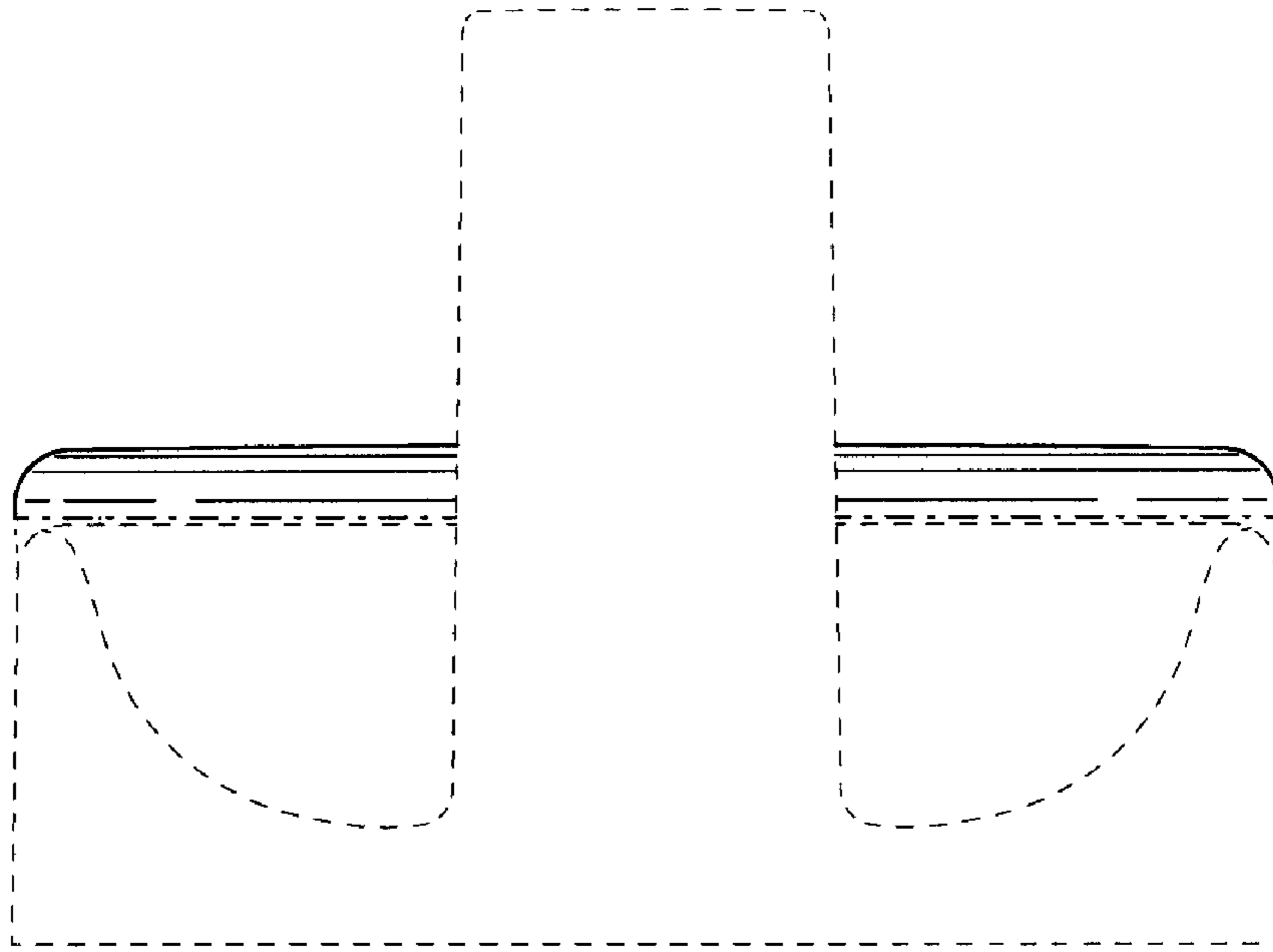


FIG. 4

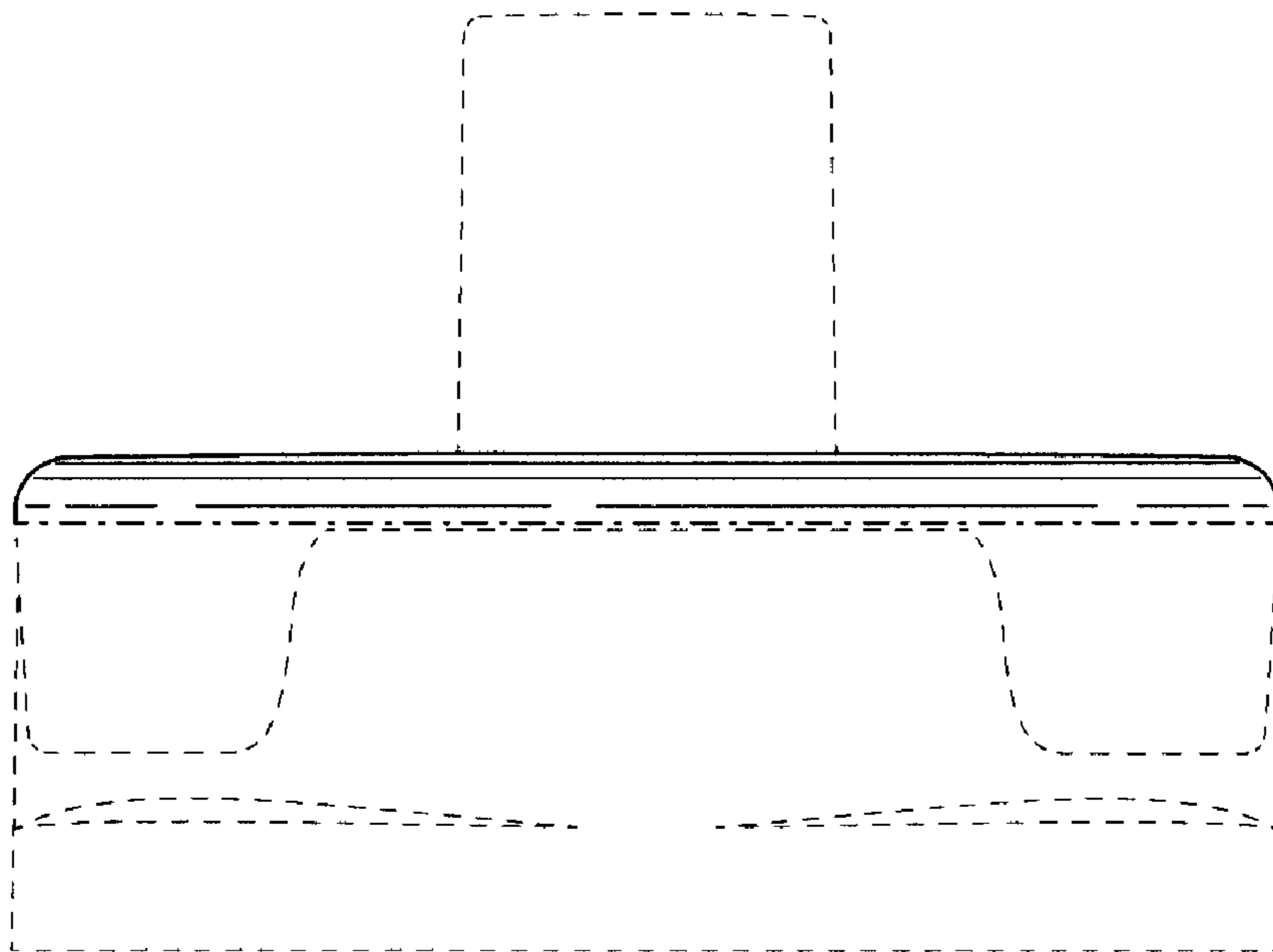


FIG. 5