



US00D623922S

(12) **United States Design Patent**
Drake

(10) **Patent No.:** **US D623,922 S**

(45) **Date of Patent:** **** Sep. 21, 2010**

(54) **DOOR HINGE PLATE**

(76) **Inventor:** **Robert Allen Drake**, 1819 NW.
Washington Blvd., Grants Pass, OR (US)
97526

(**) **Term:** **14 Years**

(21) **Appl. No.:** **29/353,386**

(22) **Filed:** **Jan. 7, 2010**

(51) **LOC (9) Cl.** **08-06**

(52) **U.S. Cl.** **D8/323**

(58) **Field of Classification Search** D8/328,
D8/323, 324, 330, 325, 327, 331, 336, 353,
D8/338; D16/334; 4/236, 240; 16/309,
16/235, 275, 244, 379, 390, 430, 241, 238,
16/245, 236, 243, 242, 385, 225, 250; 49/381;
D23/302, 303; 248/682; D10/69; 33/347,
33/365-390

See application file for complete search history.

(56) **References Cited**

U.S. PATENT DOCUMENTS

D22,875 S *	11/1893	Holmes et al.	D8/328
3,516,115 A *	6/1970	Koleske	16/225
D247,609 S *	3/1978	Triplette	D8/323
D301,116 S *	5/1989	Foshee et al.	D8/331
5,455,987 A *	10/1995	Svehaug	16/267

5,713,105 A *	2/1998	Toomey	16/245
5,884,363 A *	3/1999	Tofts	16/223
D413,505 S *	9/1999	Perkins et al.	D8/323
6,388,345 B1 *	5/2002	Stimpson	307/119
D475,272 S *	6/2003	Hansen et al.	D8/327
7,621,022 B2 *	11/2009	Gandevia et al.	16/385
2004/0034966 A1 *	2/2004	Wegman	16/254

* cited by examiner

Primary Examiner—Robert M Spear

Assistant Examiner—Cynthia Underwood

(74) *Attorney, Agent, or Firm*—Gerald D Haynes

(57) **CLAIM**

The ornamental design for a door hinge plate, as shown and described.

DESCRIPTION

FIG. 1 is a front perspective view of a door hinge plate showing my new design;

FIG. 2 is a front view thereof;

FIG. 3 is a rear view thereof;

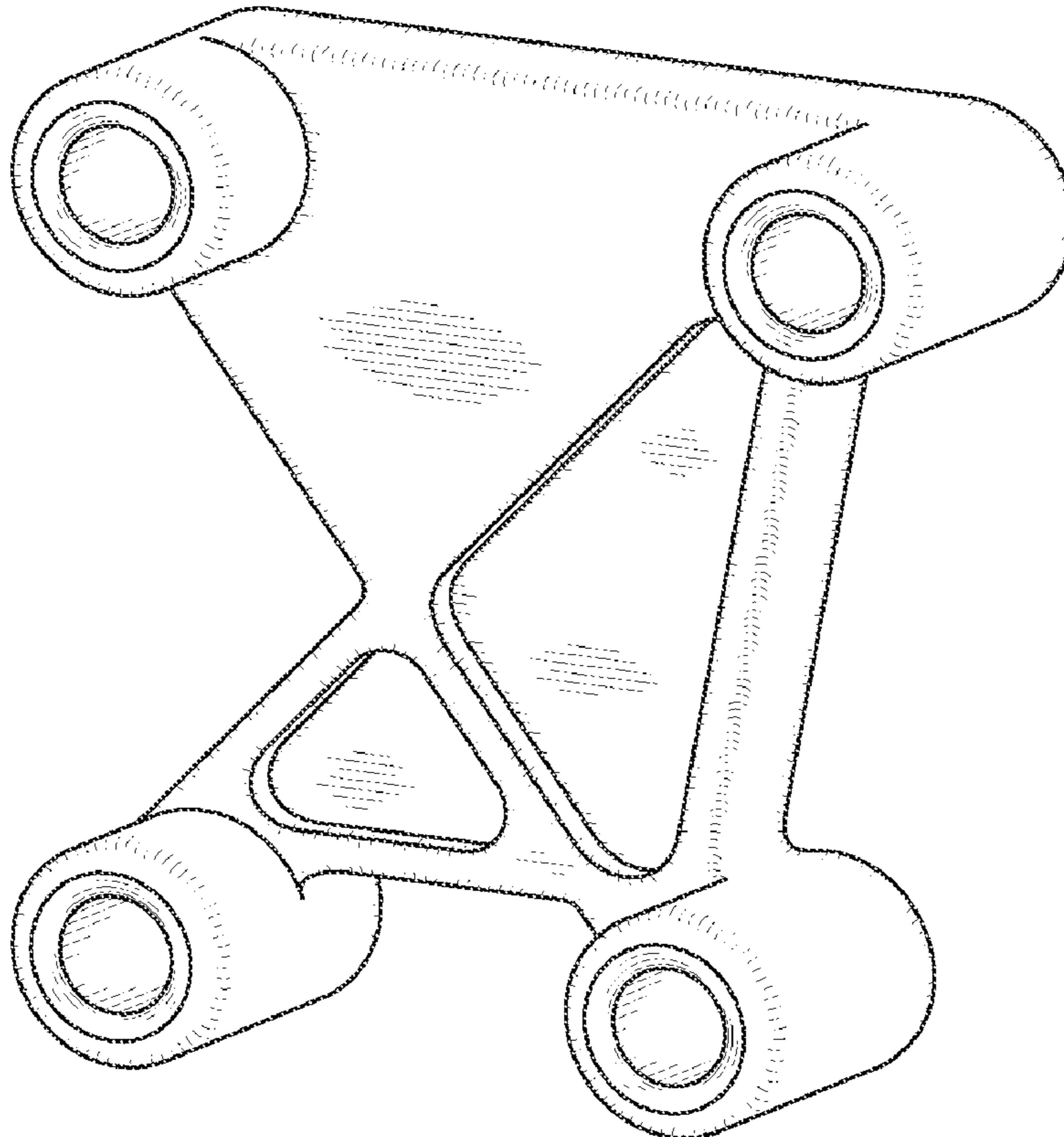
FIG. 4 is a left side view thereof;

FIG. 5 is a right side thereof;

FIG. 6 is a top view thereof; and,

FIG. 7 is a bottom view thereof.

1 Claim, 2 Drawing Sheets



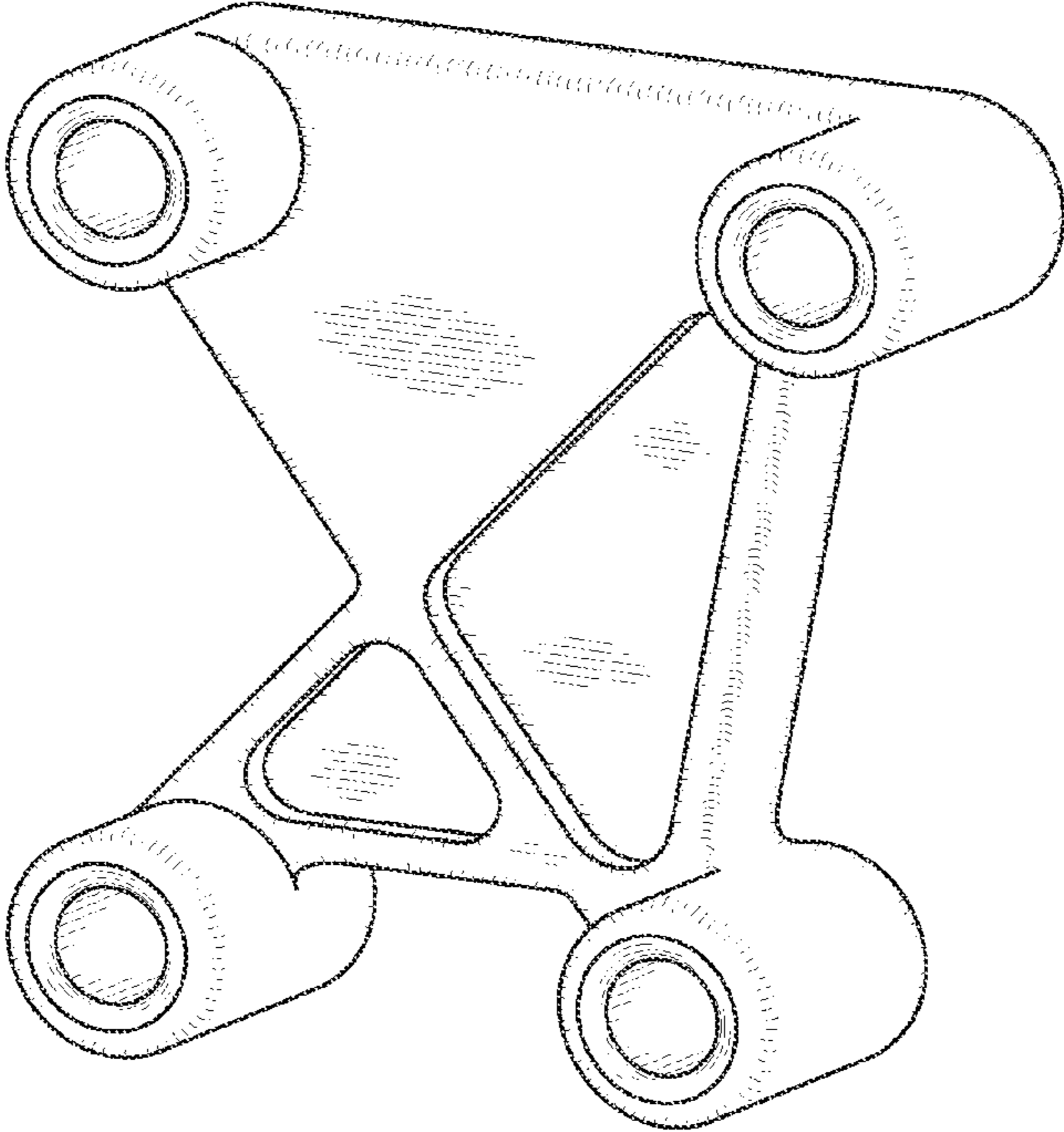


FIG. 1

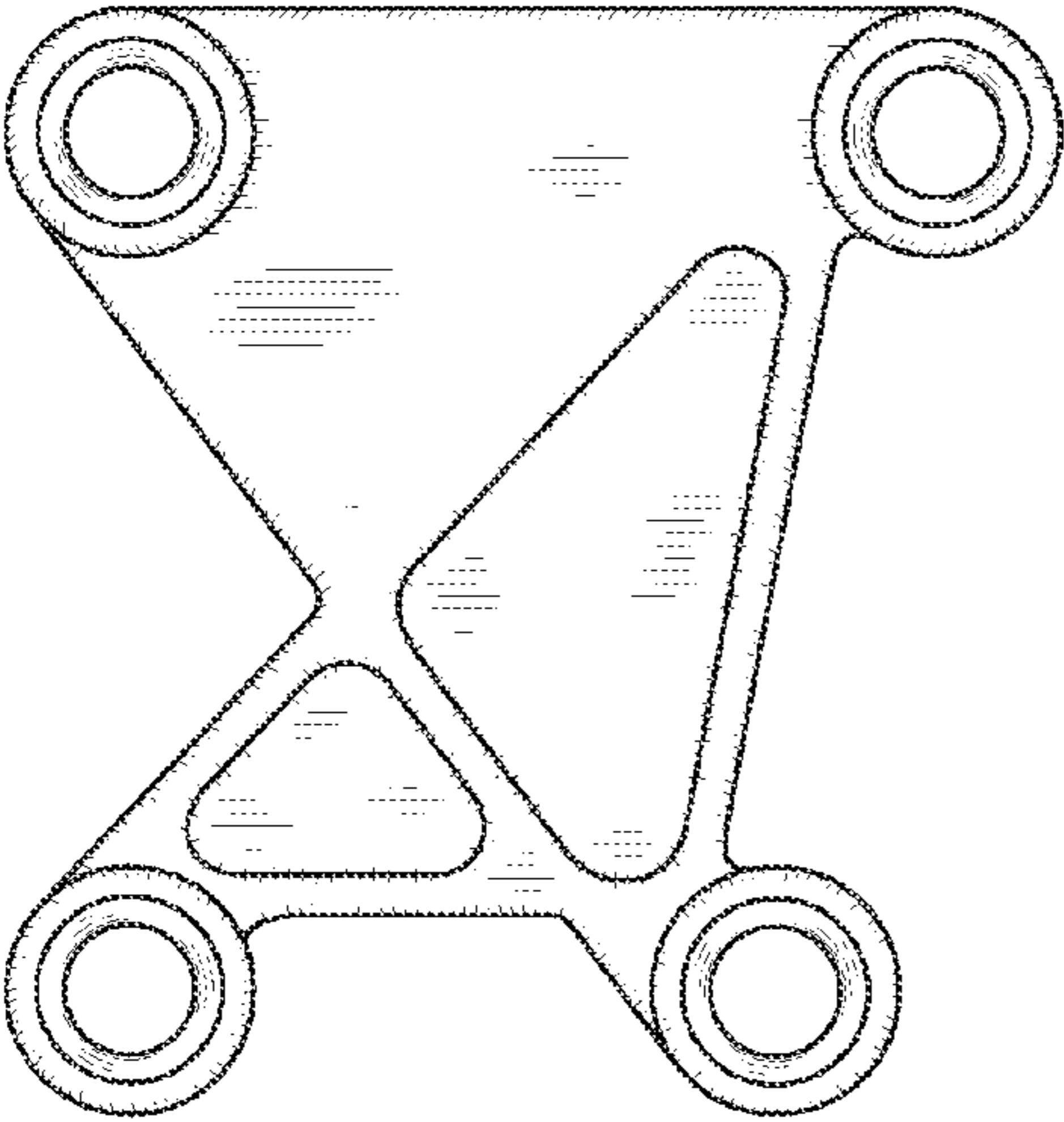


FIG. 2

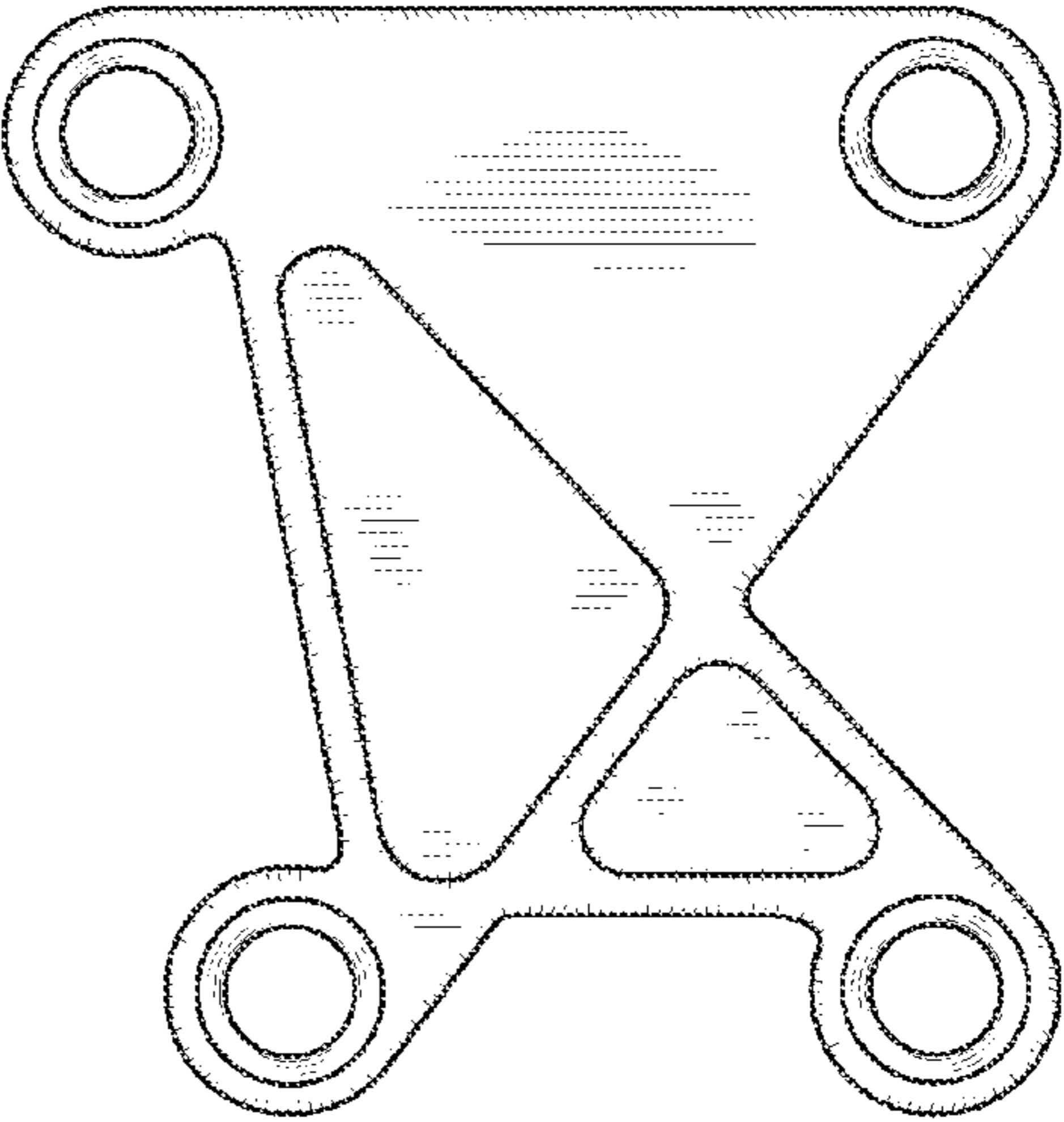


FIG. 3

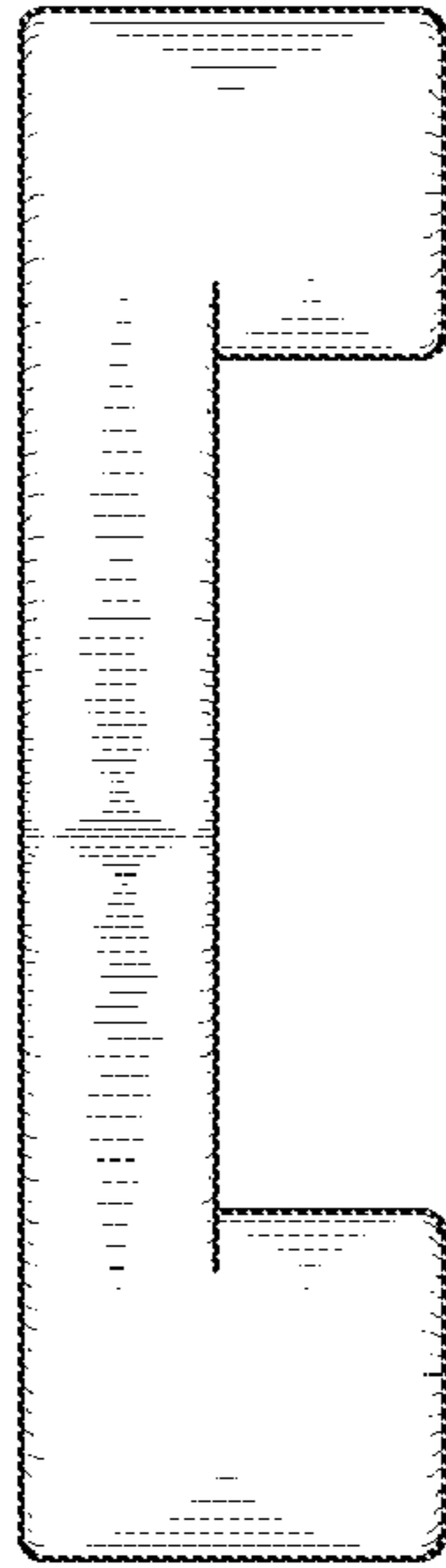


FIG. 4

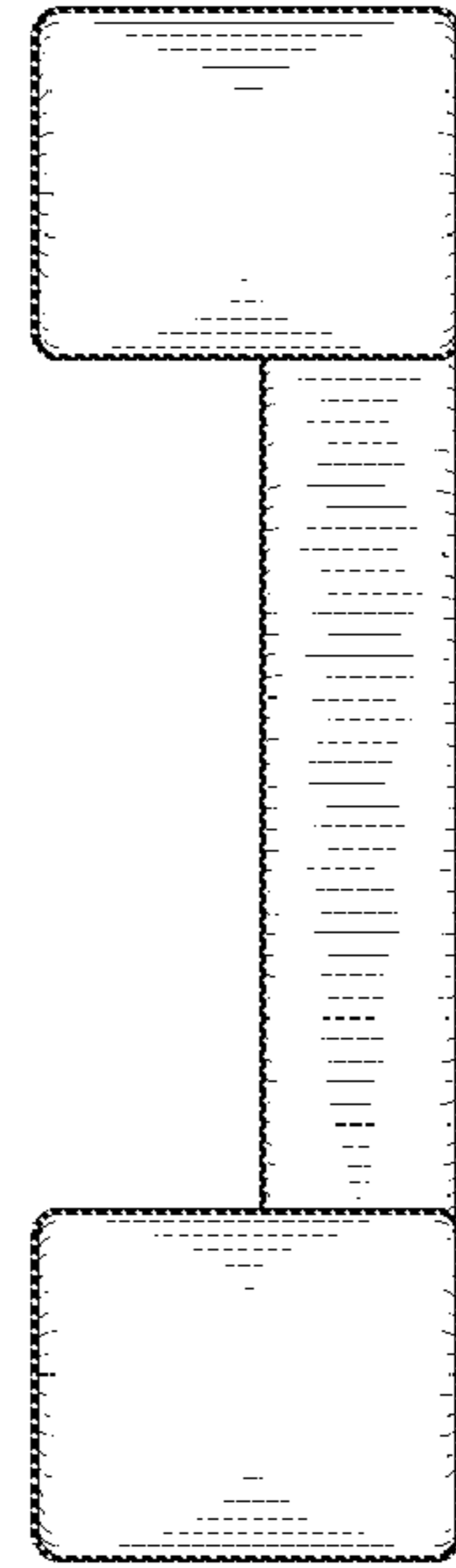


FIG. 5

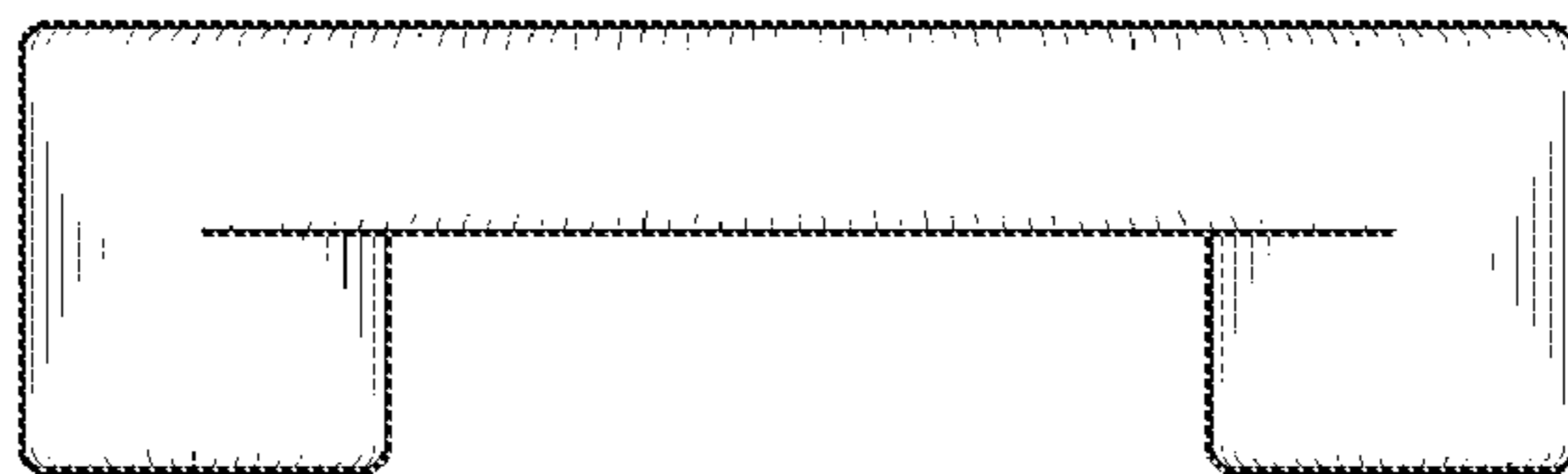


FIG. 6

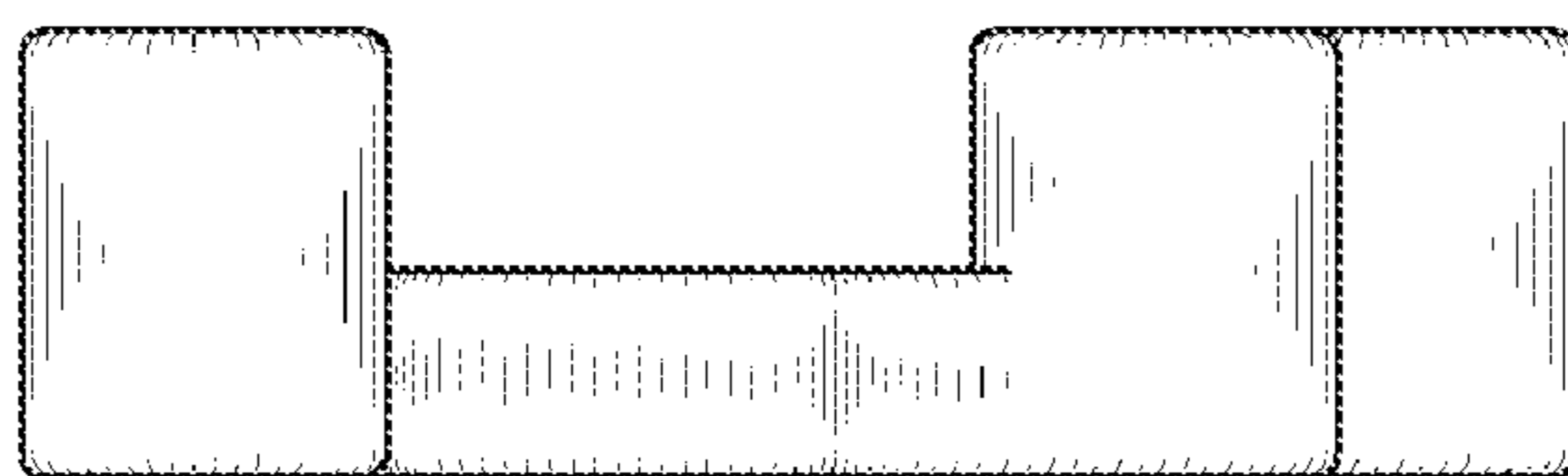


FIG. 7