



US00D623921S

(12) **United States Design Patent**  
**Chiu**

(10) **Patent No.:** **US D623,921 S**

(45) **Date of Patent:** **\*\* Sep. 21, 2010**

(54) **HANDLE FOR TOOL**

(76) Inventor: **Hung-Yen Chiu**, 568-2 Jia-Ti, Road,  
Taiping City, Taichung County (TW)

(\*\*) Term: **14 Years**

(21) Appl. No.: **29/356,322**

(22) Filed: **Feb. 24, 2010**

(51) **LOC (9) Cl.** ..... **08-05**

(52) **U.S. Cl.** ..... **D8/107**

(58) **Field of Classification Search** ..... D8/61,  
D8/68, 107; 173/145, 164, 170, 213, 217;  
81/489, 177.1-177.7, 436-440; 16/110.1

See application file for complete search history.

(56) **References Cited**

**U.S. PATENT DOCUMENTS**

D533,422 S *	12/2006	Ino et al. ....	D8/68
D547,154 S *	7/2007	Lee .....	D8/68
D557,581 S *	12/2007	Stratford .....	D8/68
D577,272 S *	9/2008	Murray et al. ....	D8/68
2006/0213333 A1 *	9/2006	Kageler et al. ....	81/52

\* cited by examiner

*Primary Examiner*—Cathron C Brooks

*Assistant Examiner*—Barbara Fox

(74) *Attorney, Agent, or Firm*—Alan Kamrath; Kamrath &  
Associates PA

(57) **CLAIM**

The ornamental design for a handle for tool, as shown and described.

**DESCRIPTION**

FIG. 1 is a perspective view of a handle for tool showing my design;

FIG. 2 is a front elevational view thereof;

FIG. 3 is a rear elevational view thereof;

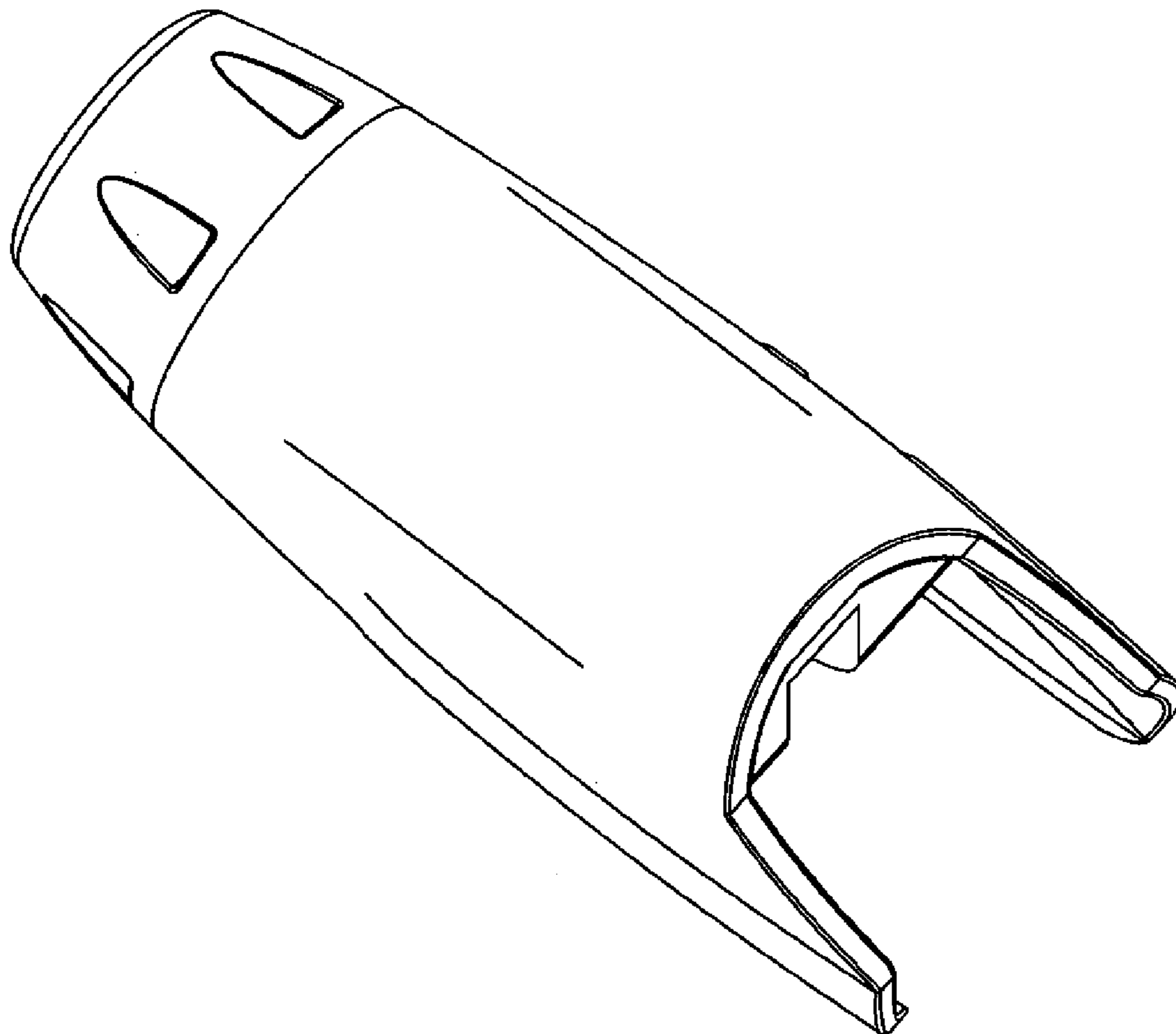
FIG. 4 is a left elevational view thereof;

FIG. 5 is a right elevational view thereof;

FIG. 6 is a top plan view thereof; and,

FIG. 7 is a bottom plan view thereof.

**1 Claim, 7 Drawing Sheets**



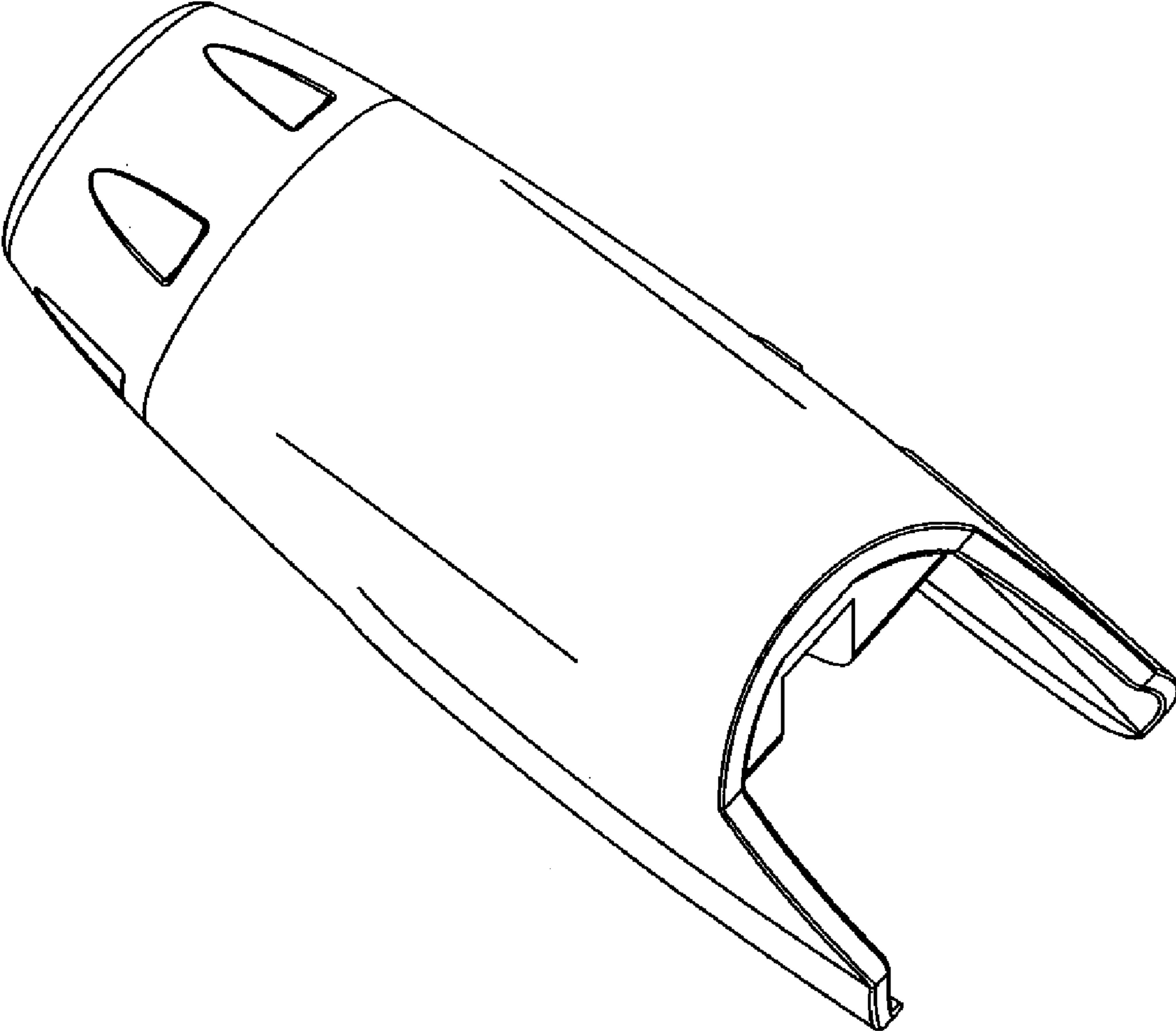


FIG. 1

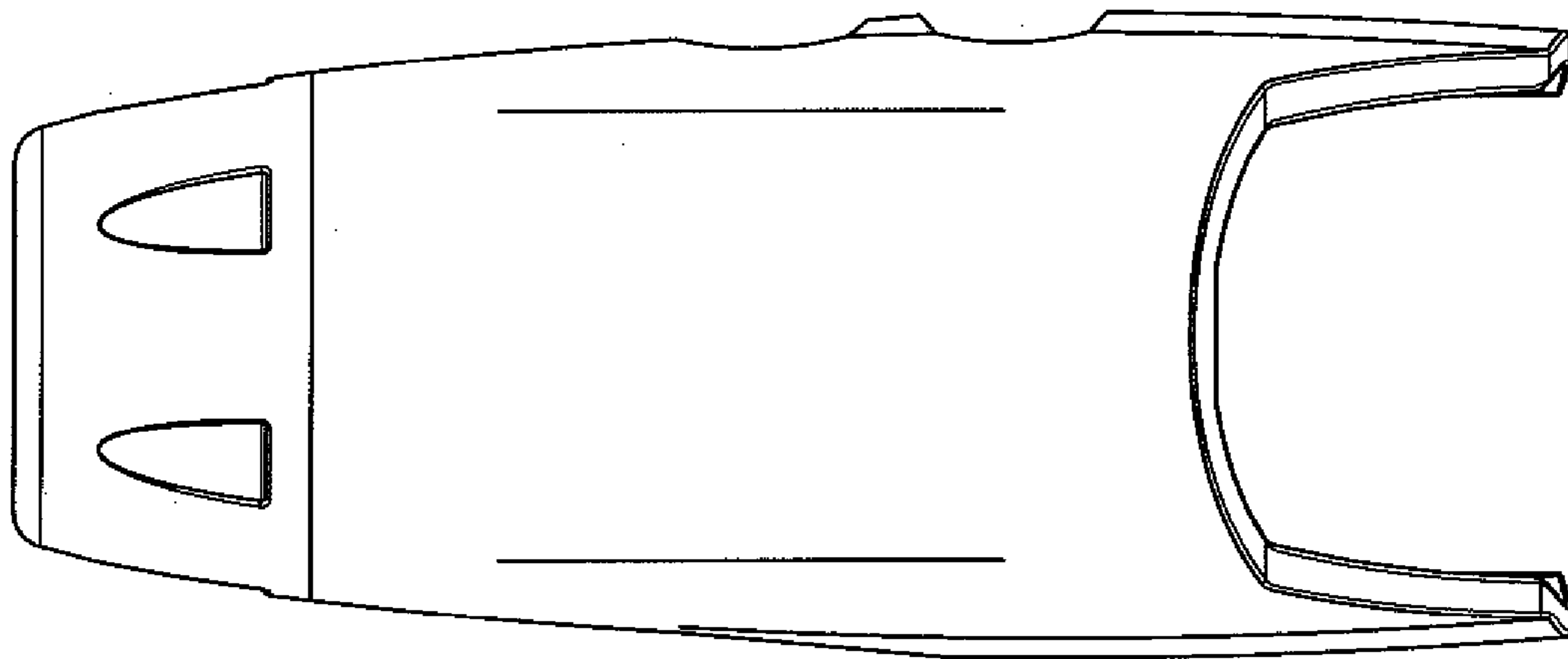


FIG. 2

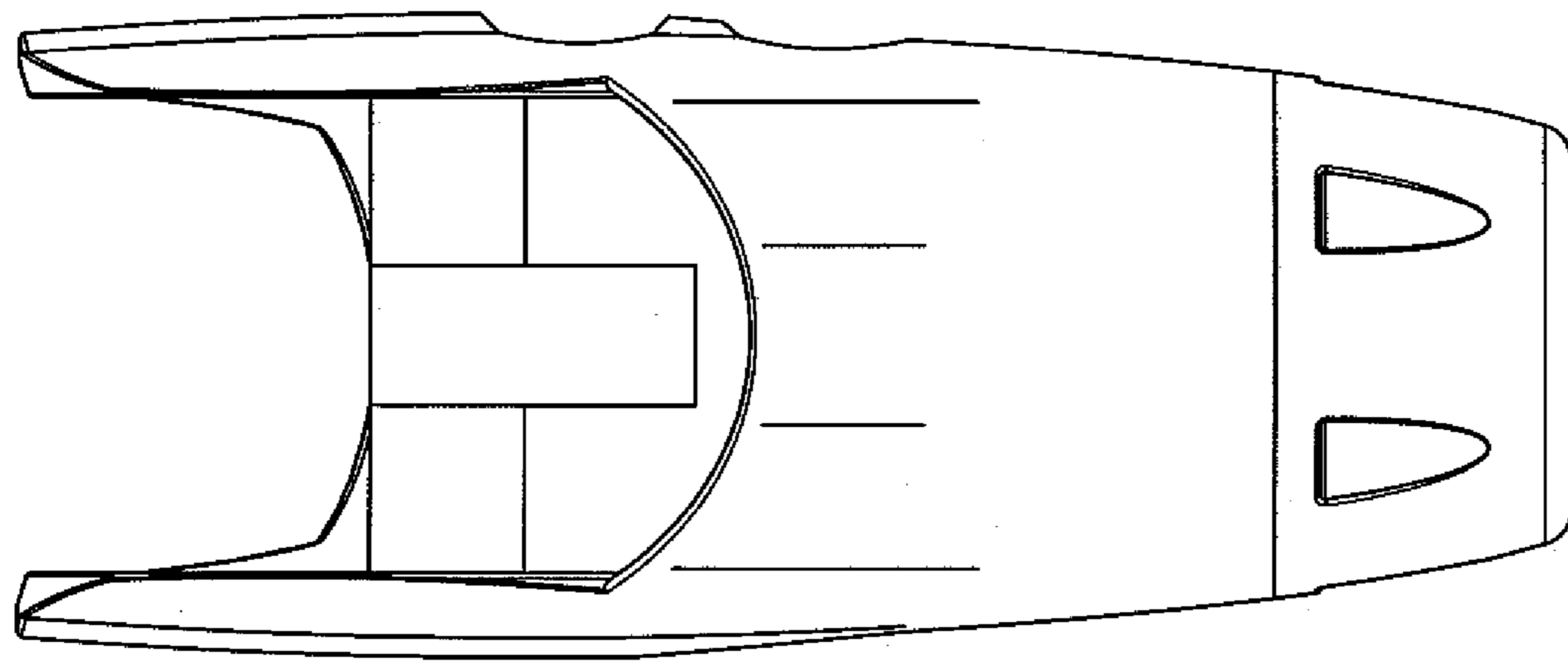


FIG. 3

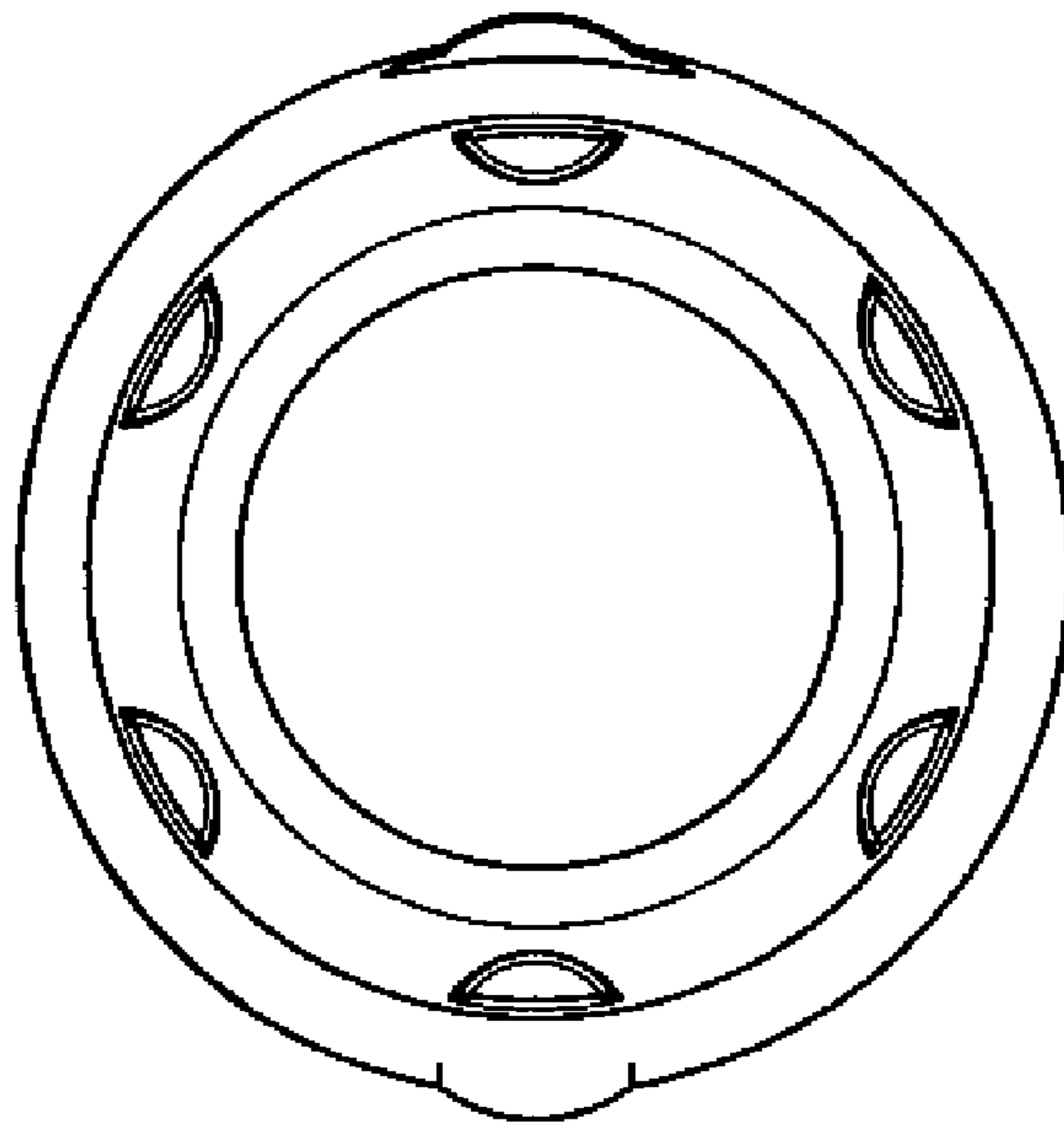


FIG. 4

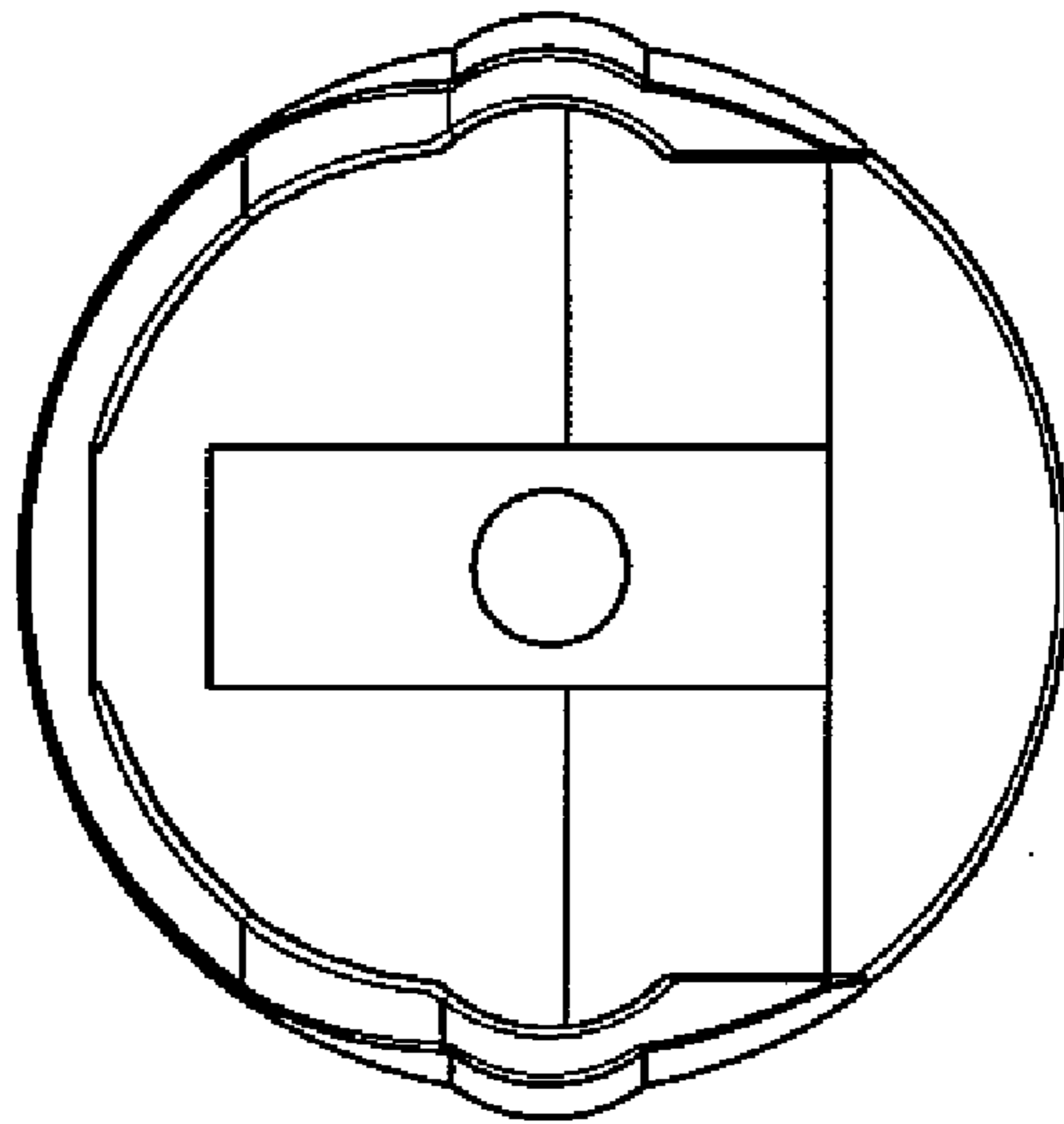


FIG. 5

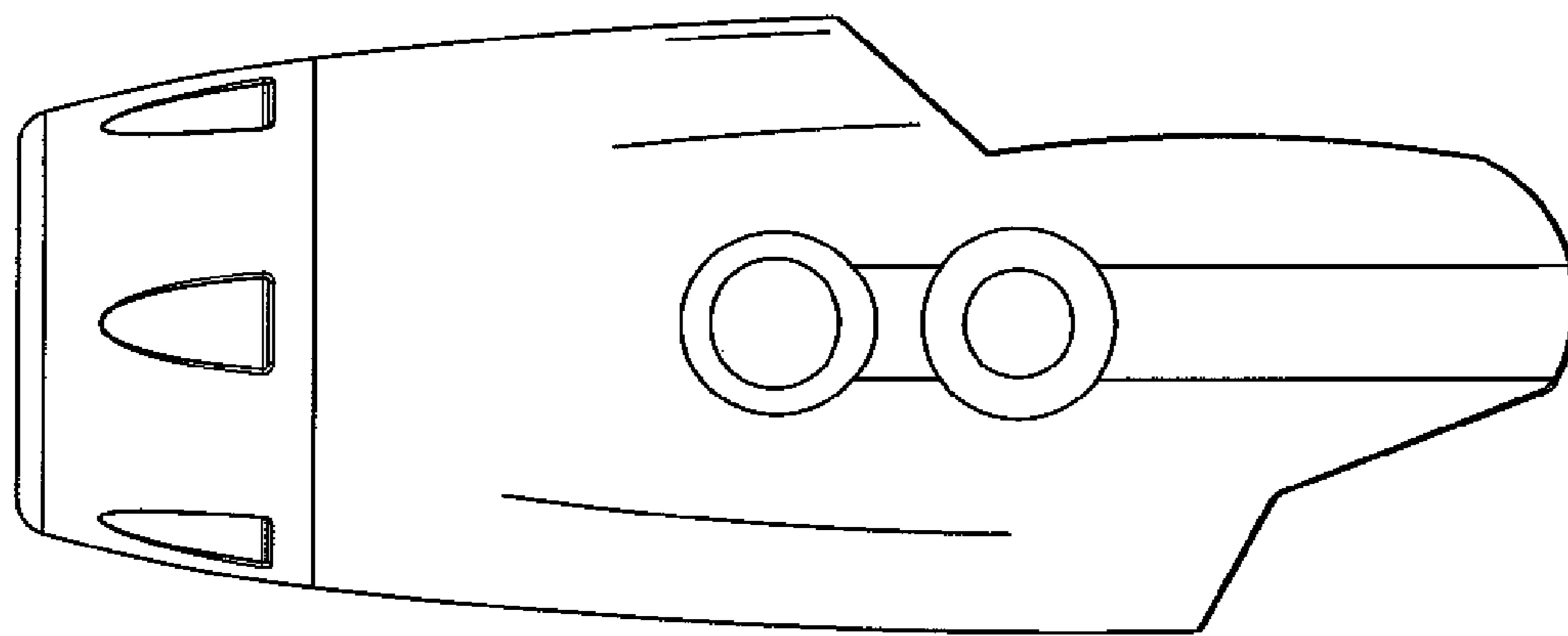


FIG. 6

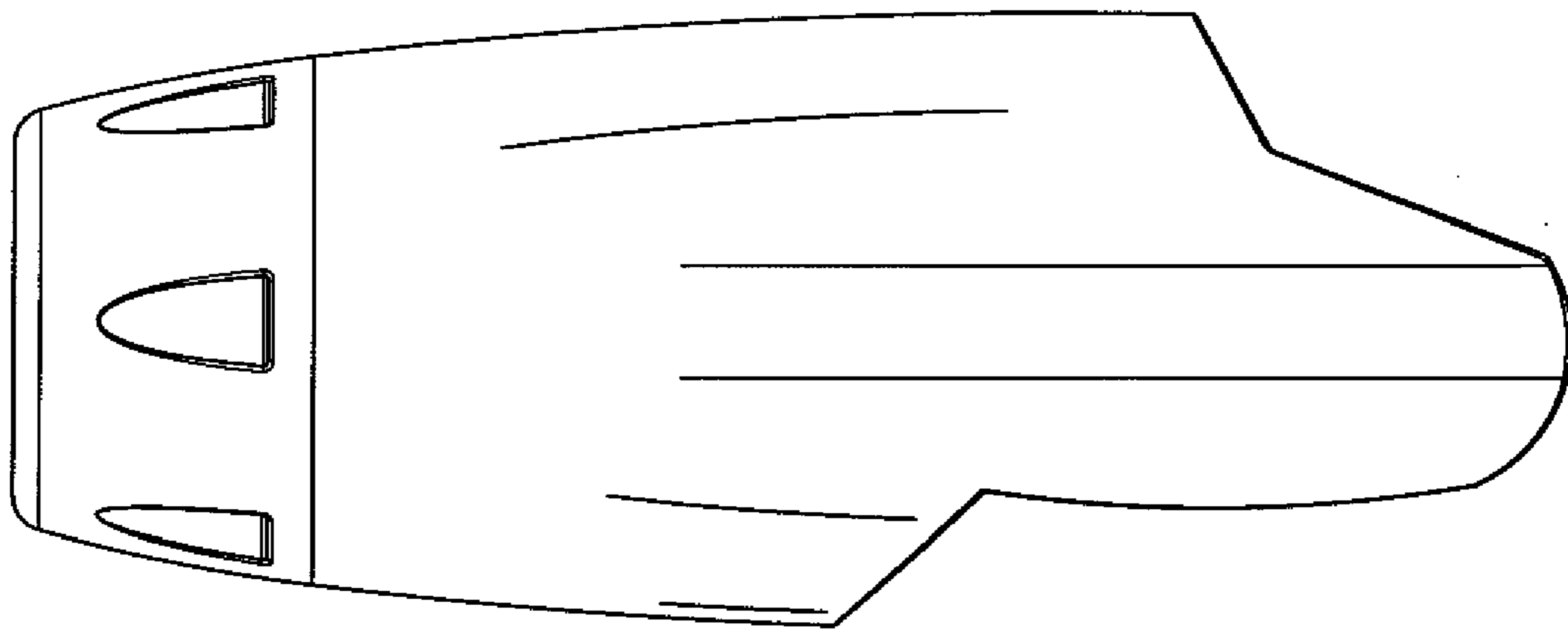


FIG. 7