

US00D623920S

(12) **United States Design Patent**  
**Radle et al.**

(10) **Patent No.:** **US D623,920 S**

(45) **Date of Patent:** **\*\* Sep. 21, 2010**

(54) **SET OF TOOL HANDLES**

(75) Inventors: **Patrick J. Radle**, Mequon, WI (US);  
**David L. Wiesemann**, Pewaukee, WI  
(US); **Anthony W. Gilbert**, Waukesha,  
WI (US); **Natalie M. Wieberdink**,  
Cedar Grove, WI (US); **Micah L.**  
**Maraia**, Menomonie, WI (US); **David J.**  
**Prince**, Eau Claire, WI (US);  
**Christopher L. Peterson**, Chippewa  
Falls, WI (US); **Robert G. Fehr**, Colfax,  
WI (US)

(73) Assignee: **Actuant Corporation**, Butler, WI (US)

(\*\*) Term: **14 Years**

(21) Appl. No.: **29/345,036**

(22) Filed: **Oct. 8, 2009**

(51) **LOC (9) Cl.** ..... **08-05**

(52) **U.S. Cl.** ..... **D8/107**

(58) **Field of Classification Search** ..... D8/51,  
D8/52, 56-58, 98, 107, 303, DIG. 107; 30/262,  
30/254, 261, 187-192, 244, 245, 272; 7/106,  
7/107, 128, 129, 158, 167; 81/424, 424.5,  
81/426, 427, 427.5, 478, 415, 417

See application file for complete search history.

(56) **References Cited**

U.S. PATENT DOCUMENTS

2,578,230	A	4/1948	Davis	
2,827,815	A	8/1956	Smoyak	
D305,858	S	2/1990	Ishida et al.	
D309,409	S	7/1990	Kiernan	
D430,782	S *	9/2000	Renner	D8/52
D431,428	S	10/2000	McCalla et al.	
D447,027	S *	8/2001	Lin	D8/52
D463,227	S	9/2002	Choi	
D468,988	S *	1/2003	Goldmann et al.	D8/107
6,513,198	B2 *	2/2003	Lu	16/431
D473,433	S	4/2003	Choi	

D483,634	S *	12/2003	Jansson et al.	D8/52
D501,378	S	2/2005	Tatic	
D511,976	S	11/2005	Budrow	
D532,662	S *	11/2006	Chang	D8/52
D532,672	S *	11/2006	Steiner	D8/107
D543,812	S *	6/2007	Burry et al.	D8/52
D544,770	S *	6/2007	Yang	D8/52
D552,435	S	10/2007	Bohlman et al.	
D577,563	S *	9/2008	Chen	D8/107
D577,981	S	10/2008	Peterson et al.	
D578,368	S	10/2008	Wiesemann et al.	
D600,092	S *	9/2009	Peterson et al.	D8/107
D604,580	S *	11/2009	Robinson et al.	D8/52
2009/0049960	A1 *	2/2009	Heinsohn	81/416

OTHER PUBLICATIONS

GB Gardner Bender; Hand Tools catalog (pp. 109-124); see p. 119  
RJ45/RJ11 Modular Plug Crimp Tool.

\* cited by examiner

*Primary Examiner*—Cathron C Brooks

*Assistant Examiner*—Barbara Fox

(74) *Attorney, Agent, or Firm*—Quarles & Brady LLP

(57) **CLAIM**

The ornamental design for set of tool handles, as shown and  
described.

**DESCRIPTION**

FIG. 1 is a front perspective view set of tool handles showing  
our new design;

FIG. 2 is a left side elevational view thereof;

FIG. 3 is a right side elevational view thereof;

FIG. 4 is a top elevational view thereof;

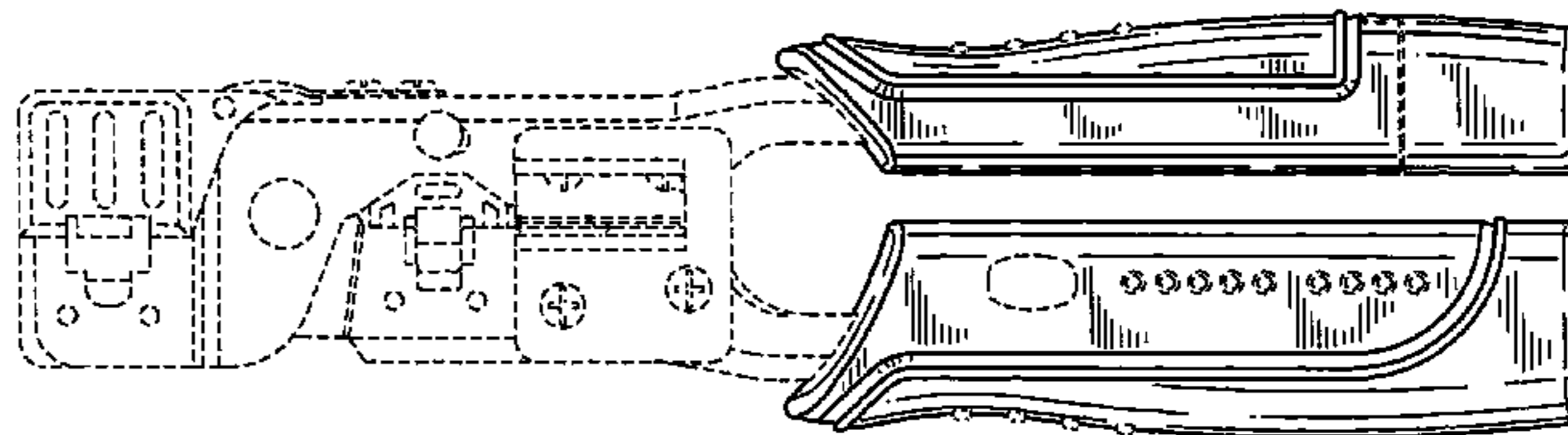
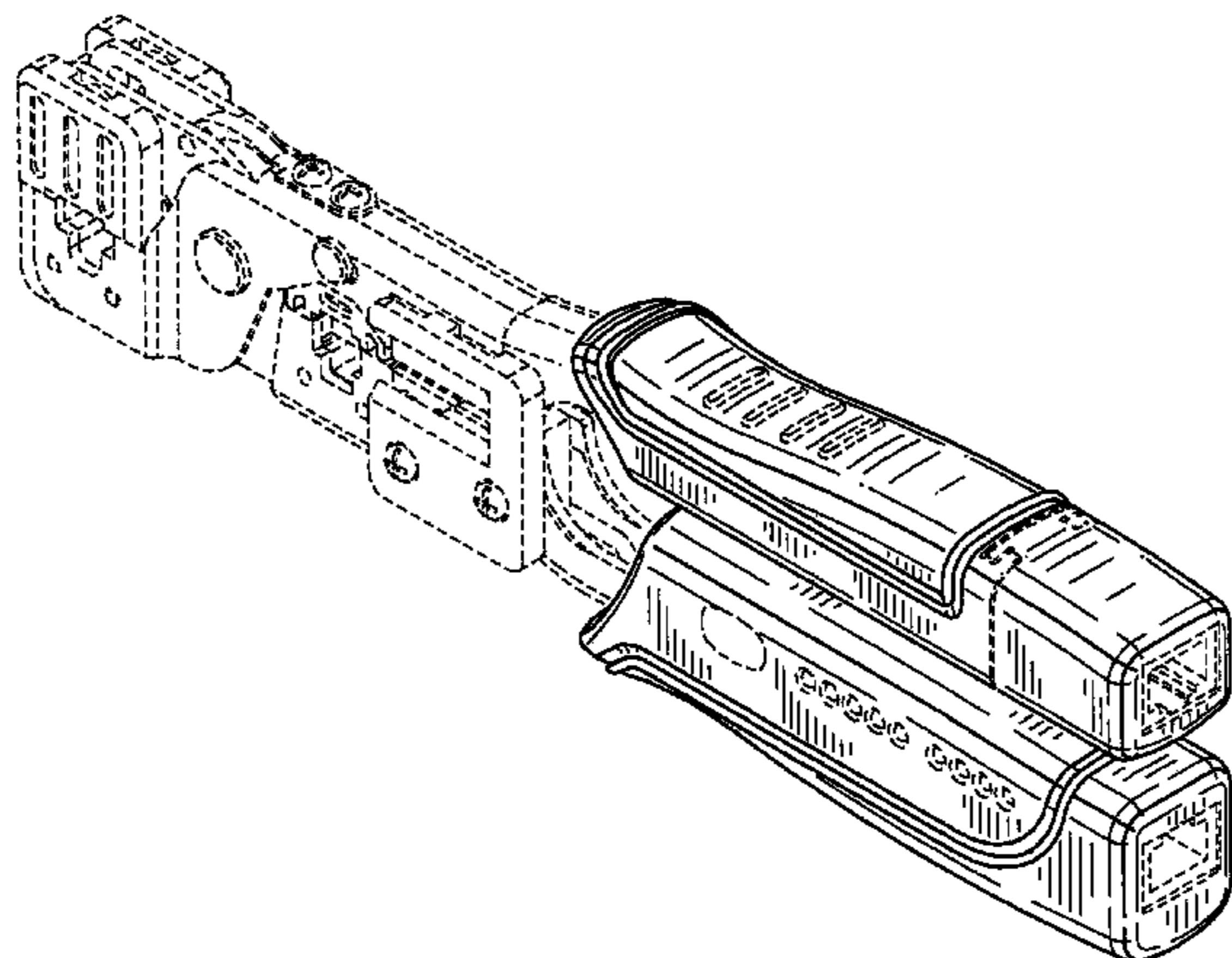
FIG. 5 is a bottom elevational view thereof;

FIG. 6 is a rear elevational view thereof; and,

FIG. 7 is a front elevational view thereof.

The broken lines in the drawings illustrate environmental  
structure and form no part of the claimed design.

**1 Claim, 5 Drawing Sheets**



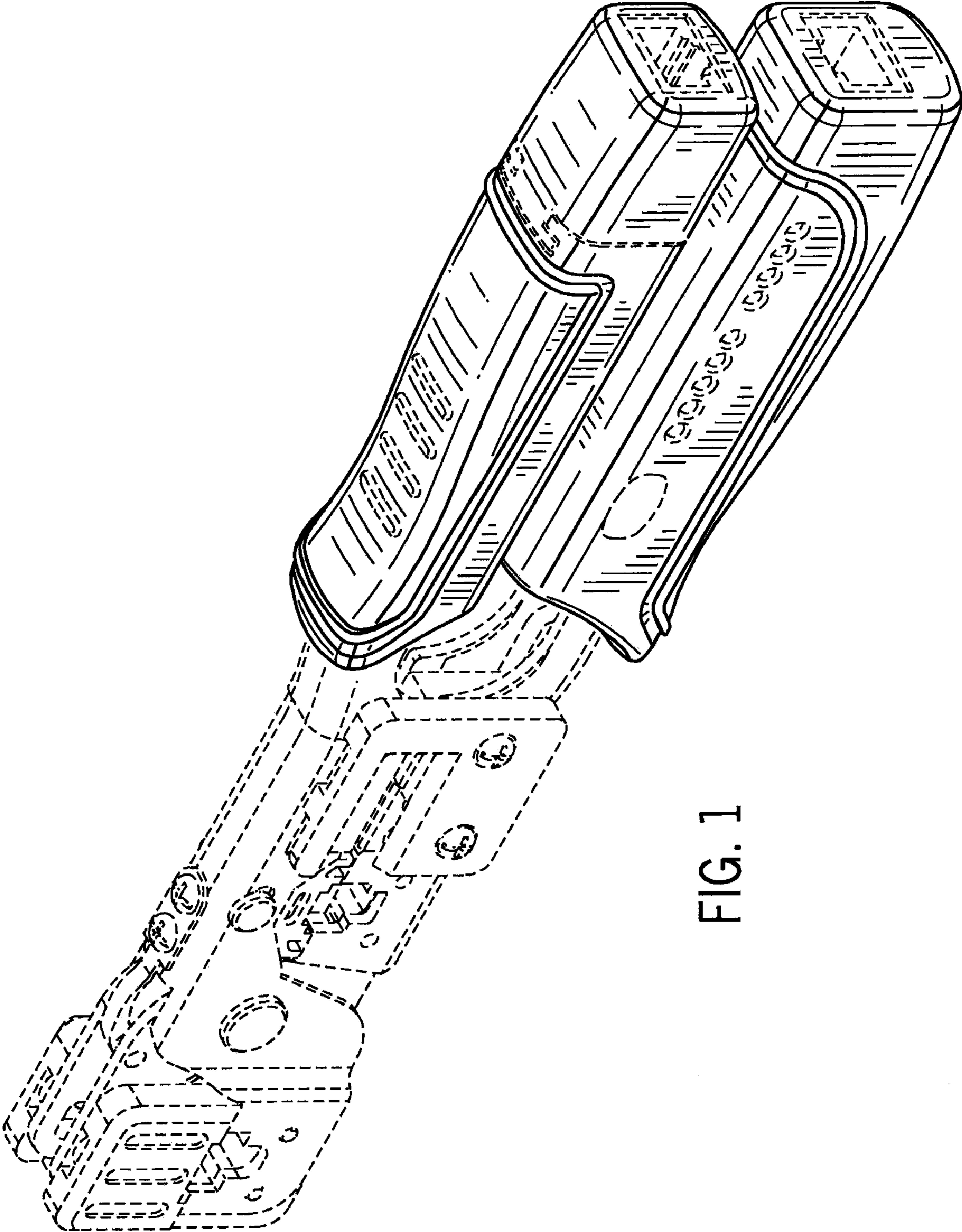


FIG. 1

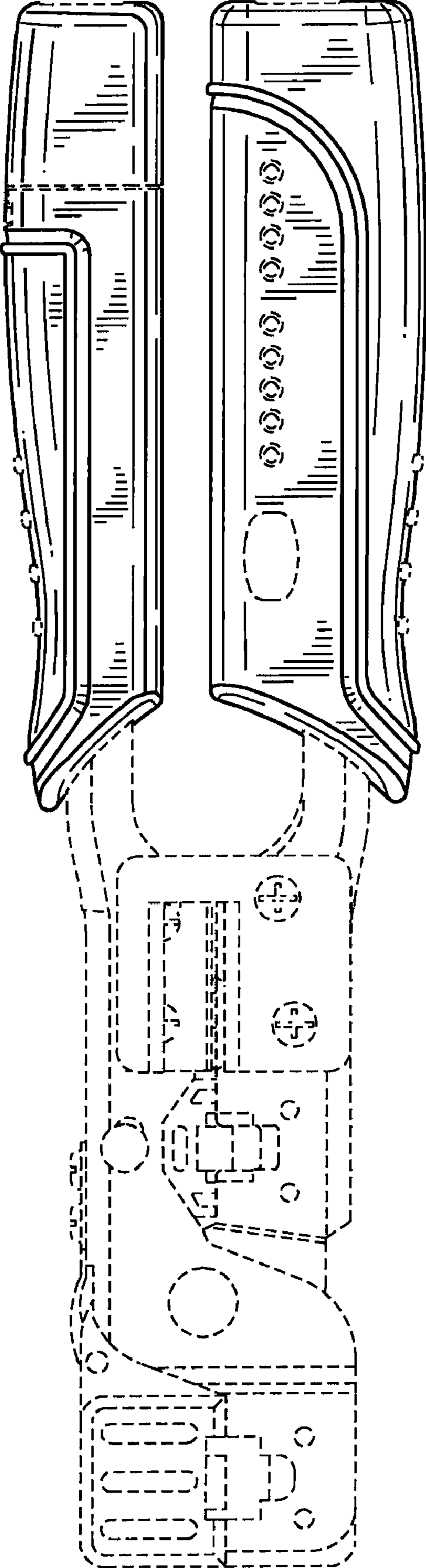


FIG. 2

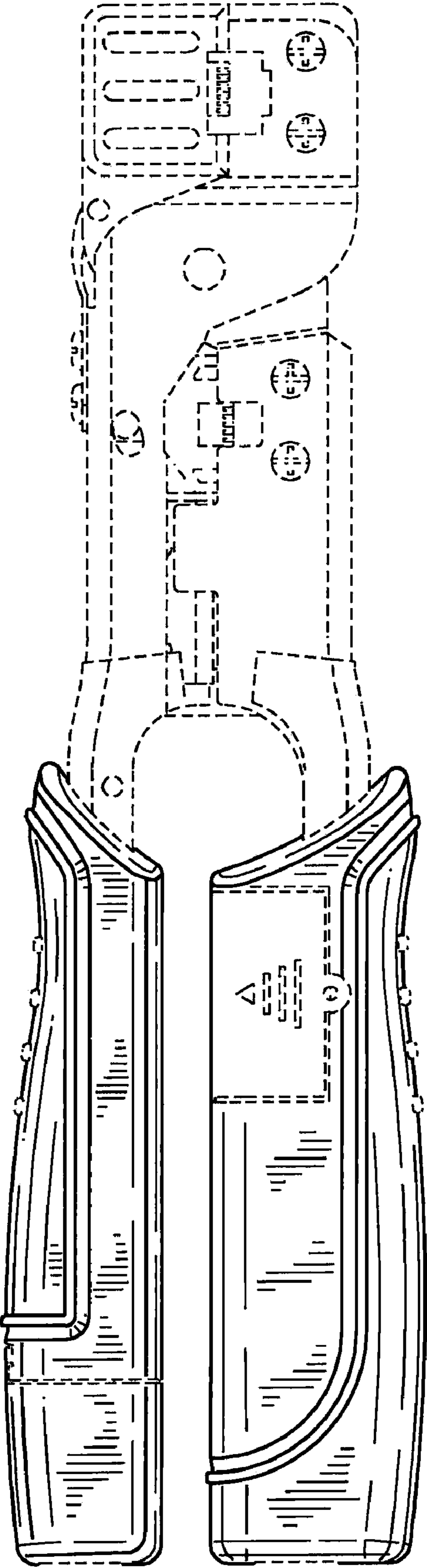


FIG. 3

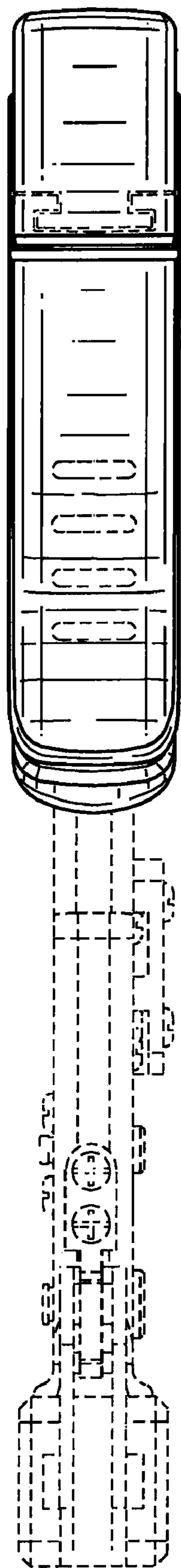


FIG. 4

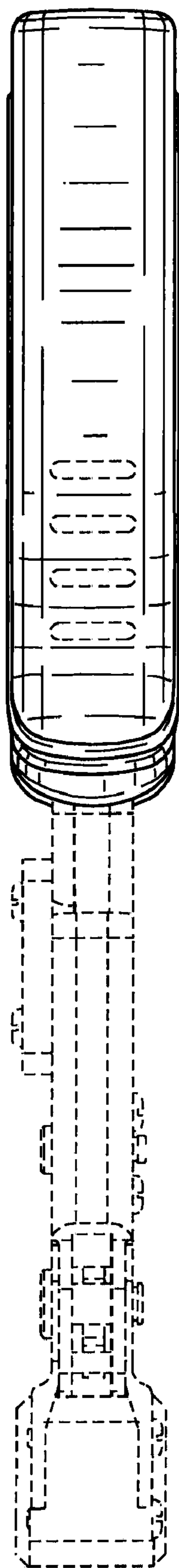


FIG. 5

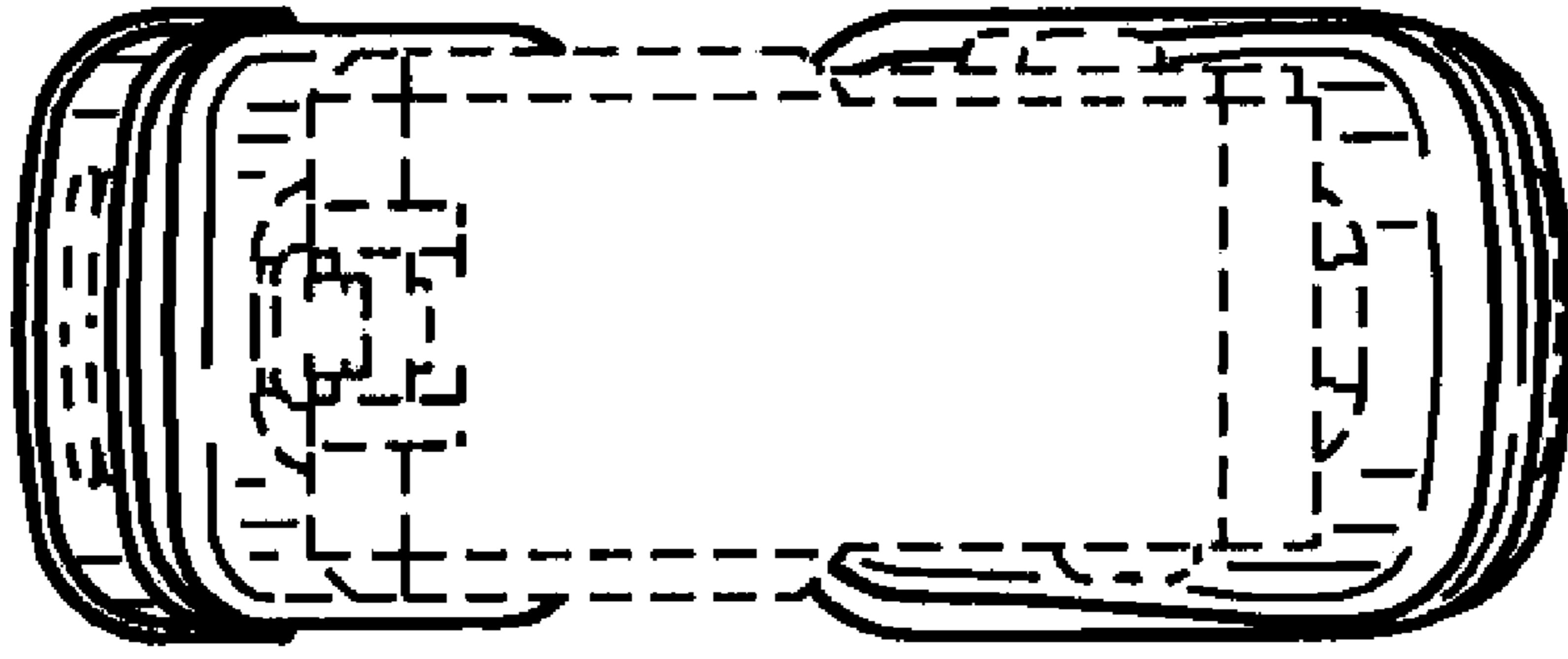


FIG. 6

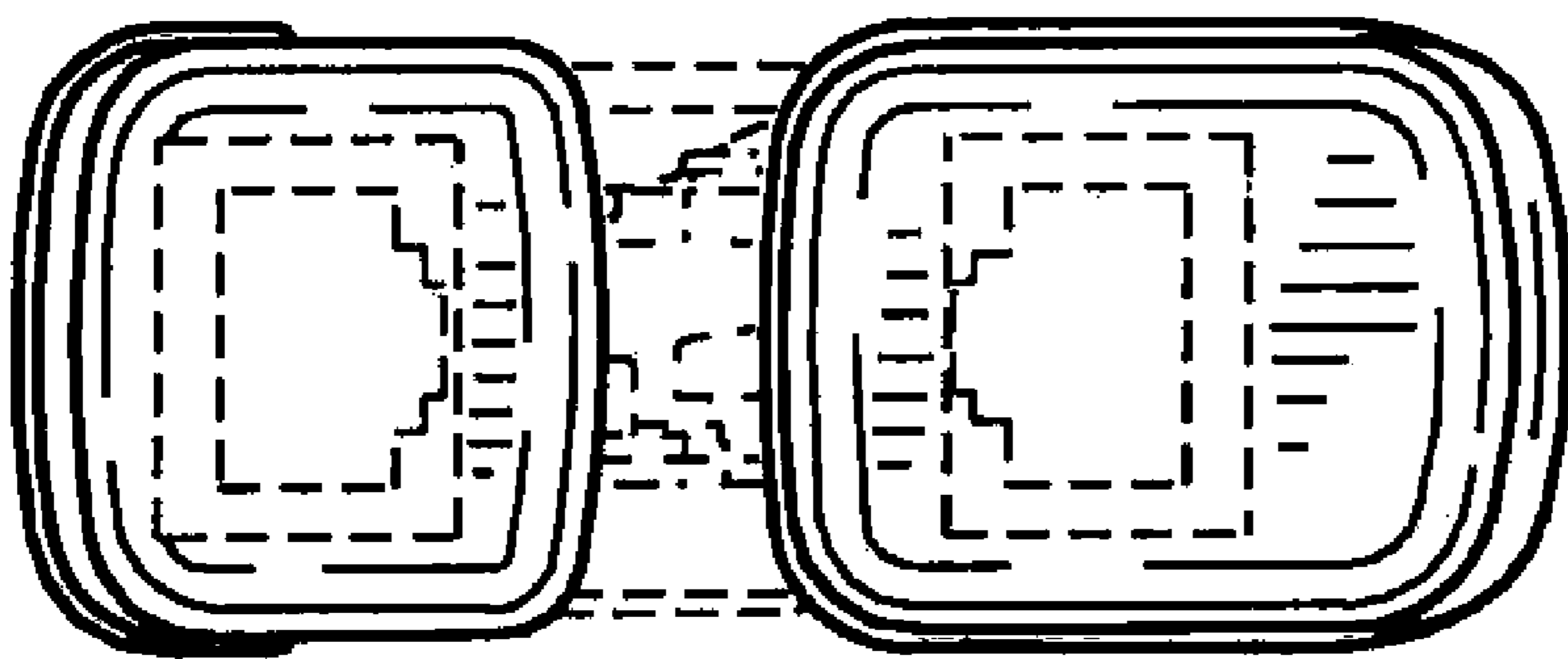


FIG. 7