



US00D623914S

(12) **United States Design Patent**
van der Lande

(10) **Patent No.:** **US D623,914 S**

(45) **Date of Patent:** **** Sep. 21, 2010**

(54) **ROBOT CORKSCREW**

(75) Inventor: **Jan van der Lande**, New York, NY (US)

(73) Assignee: **Kikkerland Design, Inc**, New York, NY (US)

(**) Term: **14 Years**

(21) Appl. No.: **29/359,339**

(22) Filed: **Apr. 8, 2010**

(51) **LOC (9) Cl.** **07-99**

(52) **U.S. Cl.** **D8/38**

(58) **Field of Classification Search** D8/14,
D8/16-19, 33-43, 88, 89, 105, 107; D21/576,
D21/578, 579, 585, 587, 588, 594, 621-623,
D21/631, 634, 658; 7/113, 151-156; 30/400-410,
30/416-430, 433, 434, 443, 450; 81/3.07,
81/3.09, 3.2, 3.27, 3.29, 3.31, 3.35, 3.37,
81/3.4, 3.45, 3.48, 3.49, 3.55

See application file for complete search history.

(56) **References Cited**

U.S. PATENT DOCUMENTS

D87,212 S *	6/1932	Halvorsen	D8/38
D87,567 S *	8/1932	Flauder	D8/38
2,010,326 A *	8/1935	Schuchardt	81/3.35
2,641,943 A *	6/1953	Krize, Jr.	81/3.4
D174,588 S *	4/1955	Noble	D21/578

D184,613 S *	3/1959	Gemelli	D8/38
D268,731 S *	4/1983	Karg	D8/38
D274,974 S *	8/1984	Colombo	D8/38
D303,345 S *	9/1989	Sawatsky et al.	D8/40
D306,622 S *	3/1990	Doi	D21/578
D519,011 S *	4/2006	Lister	D8/40
D604,574 S *	11/2009	Freeman	D8/38

* cited by examiner

Primary Examiner—Garth Rademaker

(74) *Attorney, Agent, or Firm*—Cascio & Zervas

(57) **CLAIM**

The ornamental design for a robot corkscrew, as shown and described.

DESCRIPTION

FIG. 1 is a front elevational view of the robot corkscrew showing my design;

FIG. 2 is a rear elevational view thereof;

FIG. 3 is a top plan view thereof;

FIG. 4 is a bottom plan view thereof;

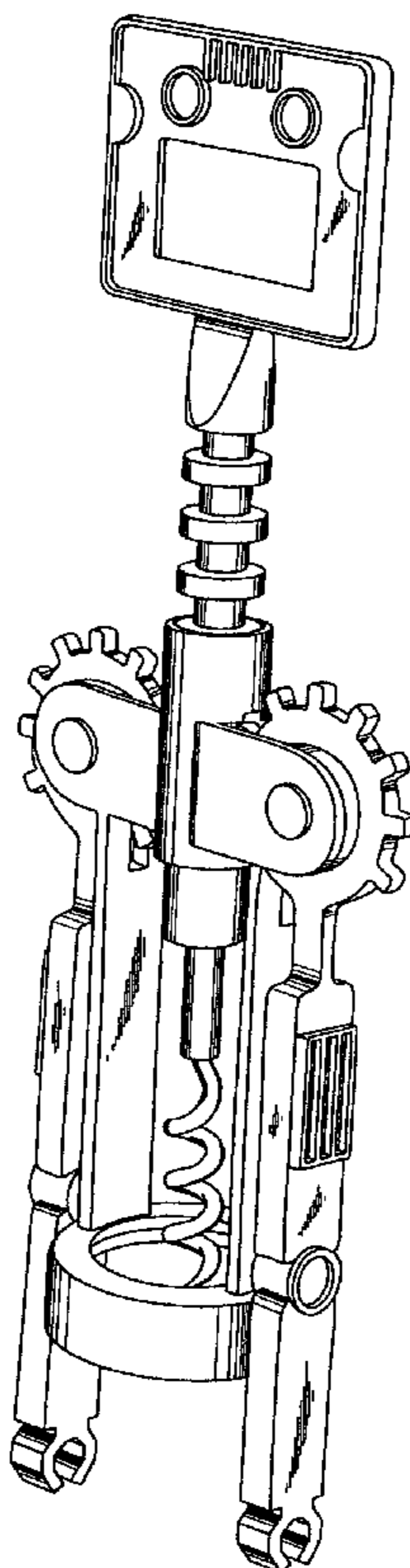
FIG. 5 is a left side elevational view thereof;

FIG. 6 is a right side elevational view thereof;

FIG. 7 is a rear perspective view thereof; and,

FIG. 8 is a front perspective view thereof, shown in an alternate position of use.

1 Claim, 4 Drawing Sheets



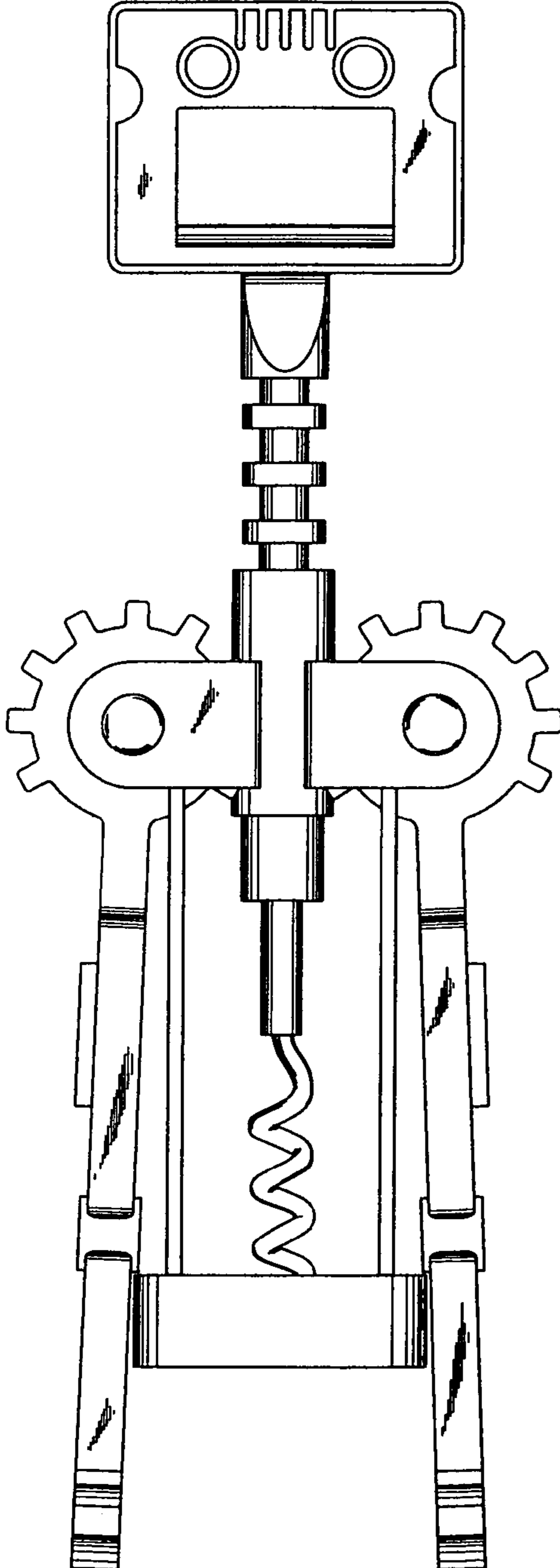


FIG. 1

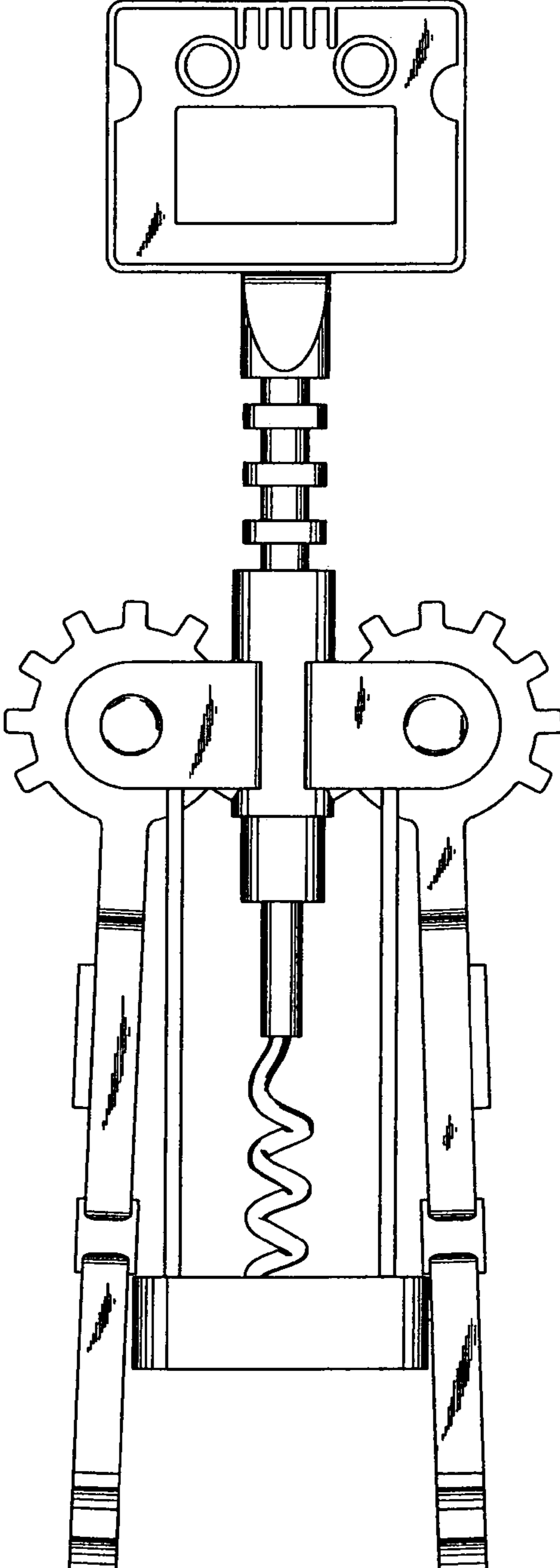


FIG. 2

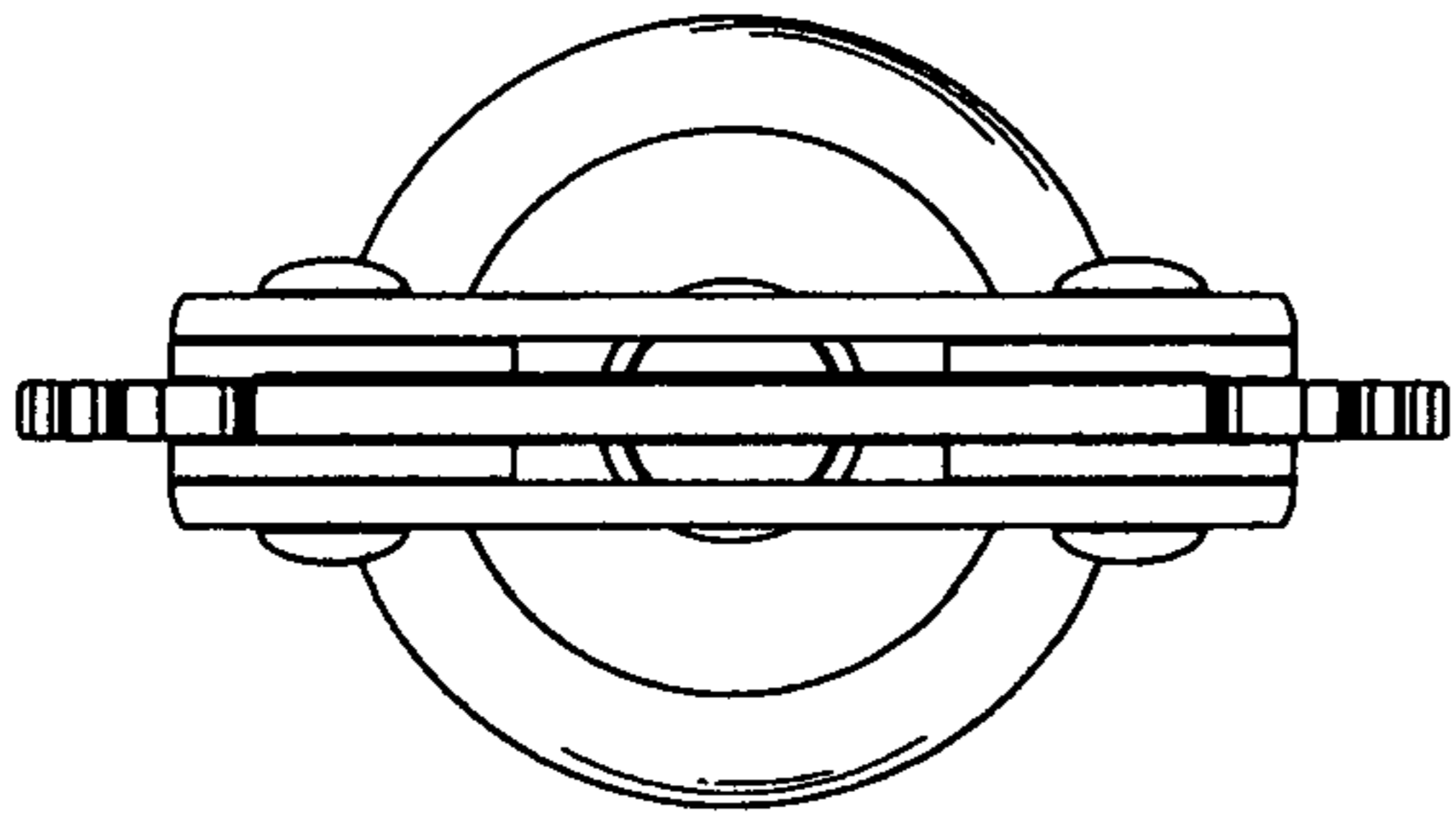


FIG. 3

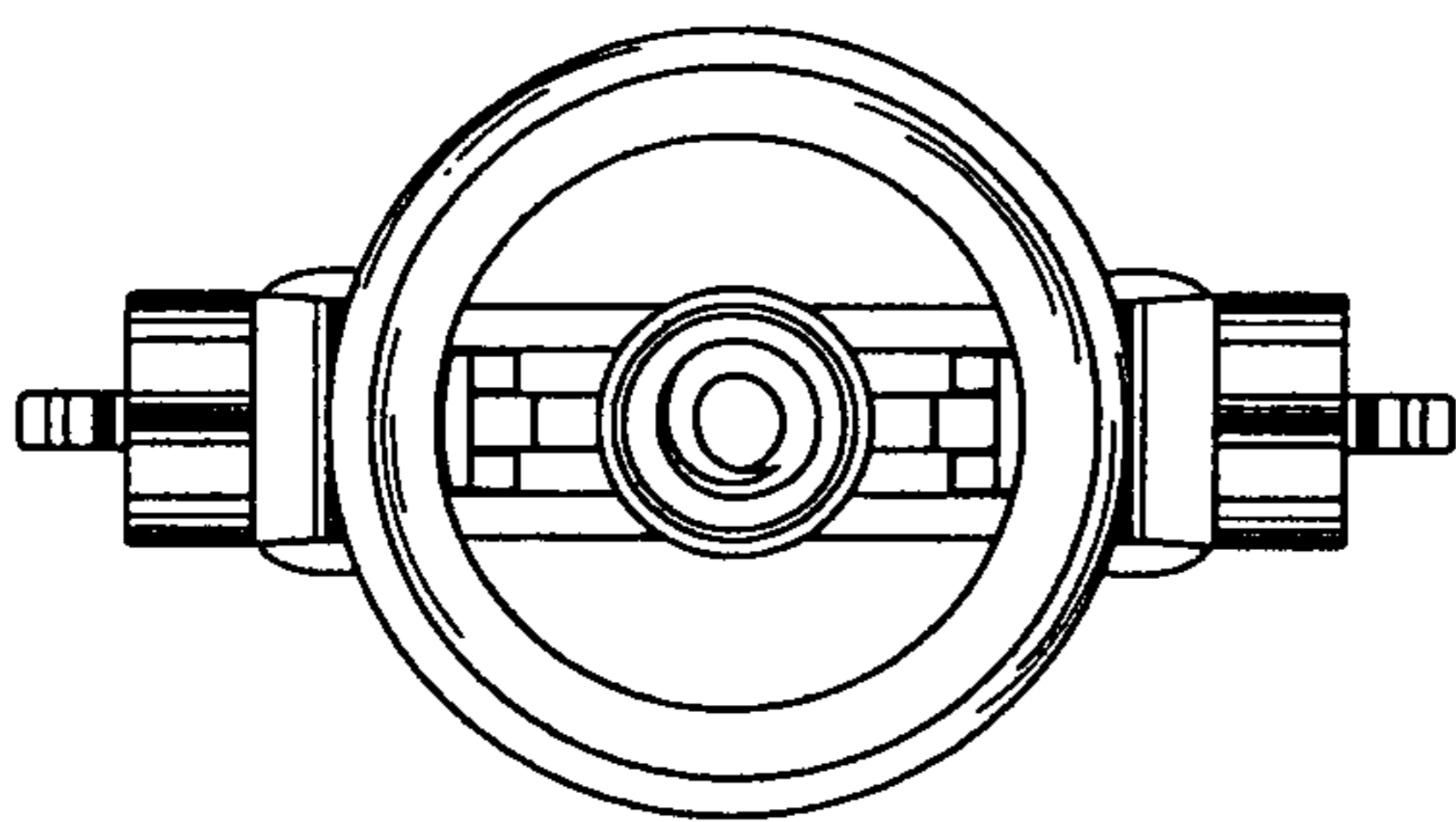


FIG. 4

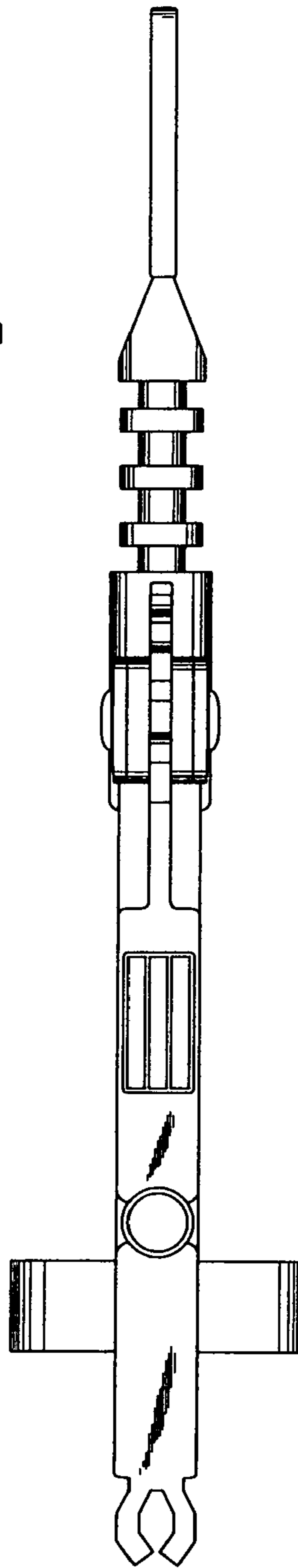


FIG. 5

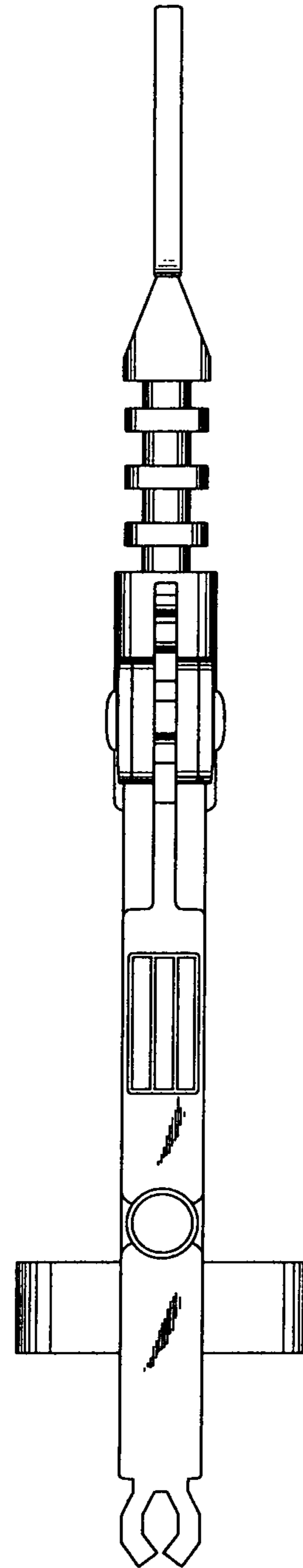


FIG. 6

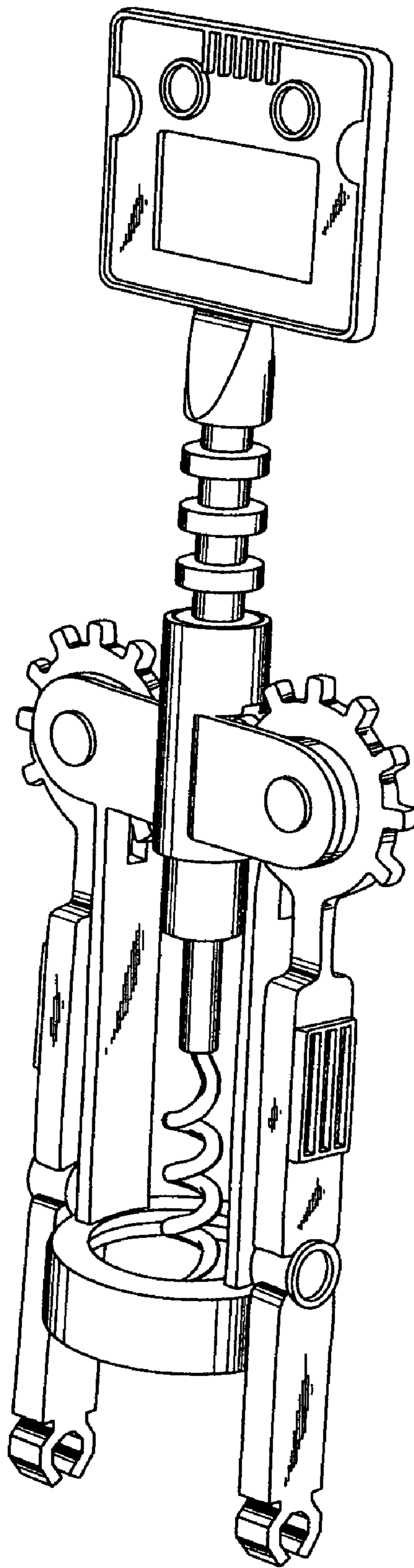


FIG. 7

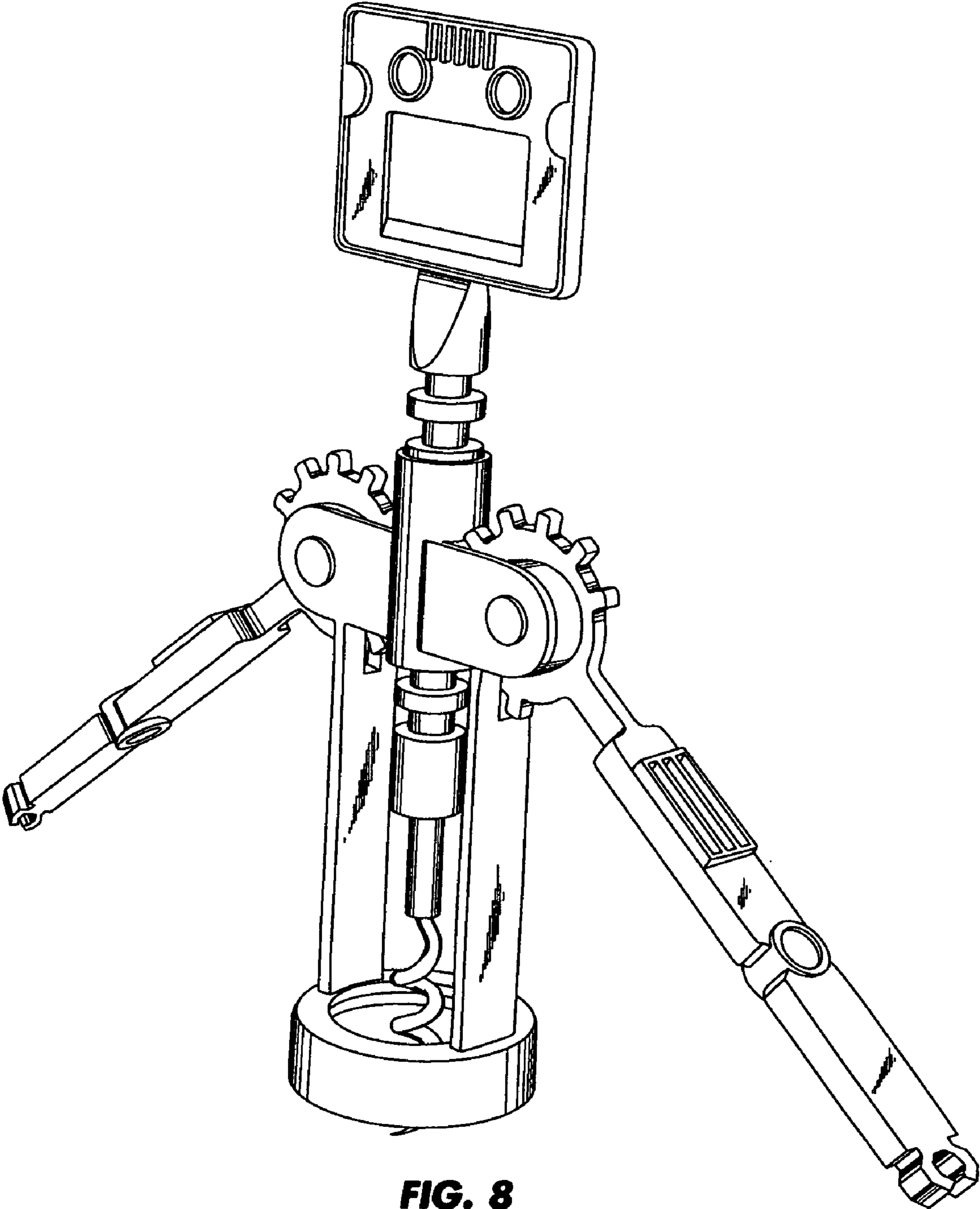


FIG. 8