



US00D623912S

(12) **United States Design Patent**
Su

(10) **Patent No.:** **US D623,912 S**

(45) **Date of Patent:** **** Sep. 21, 2010**

(54) **ROTARY BUTTON FOR A HAND TOOL**

7,421,931 B2 * 9/2008 Hu 81/177.85
7,681,285 B2 * 3/2010 Hua 16/422

(76) Inventor: **Cheng-Wei Su**, 13F., No. 403, Taichung Rd., East District, Taichung City 40146 (TW)

* cited by examiner

Primary Examiner—Raphael Barkai
Assistant Examiner—Randall H Gholson
(74) *Attorney, Agent, or Firm*—Banger Shia

(**) Term: **14 Years**

(21) Appl. No.: **29/358,633**

(57) **CLAIM**

(22) Filed: **Mar. 30, 2010**

The ornamental design for a rotary button for a hand tool, as shown and described.

(51) **LOC (9) Cl.** **08-05**

(52) **U.S. Cl.** **D8/25**

(58) **Field of Classification Search** D8/21-30;
81/60, 177.1, 177.85, 121.1, 124.3, 165-170,
81/110.1, 176.2, 124.6, 176.1, 176.15, 177.2,
81/186; 16/110.1; D15/144.1; 219/75, 227,
219/229, 121.16, 121.18

DESCRIPTION

See application file for complete search history.

FIG. 1 is a perspective view of a rotary button for a hand tool showing my new design;

FIG. 2 is a front elevational view thereof;

FIG. 3 is a rear elevational view thereof;

FIG. 4 is a left side elevational view thereof;

FIG. 5 is a right side elevational view thereof;

FIG. 6 is a top plan view thereof;

FIG. 7 is a bottom plan view thereof; and,

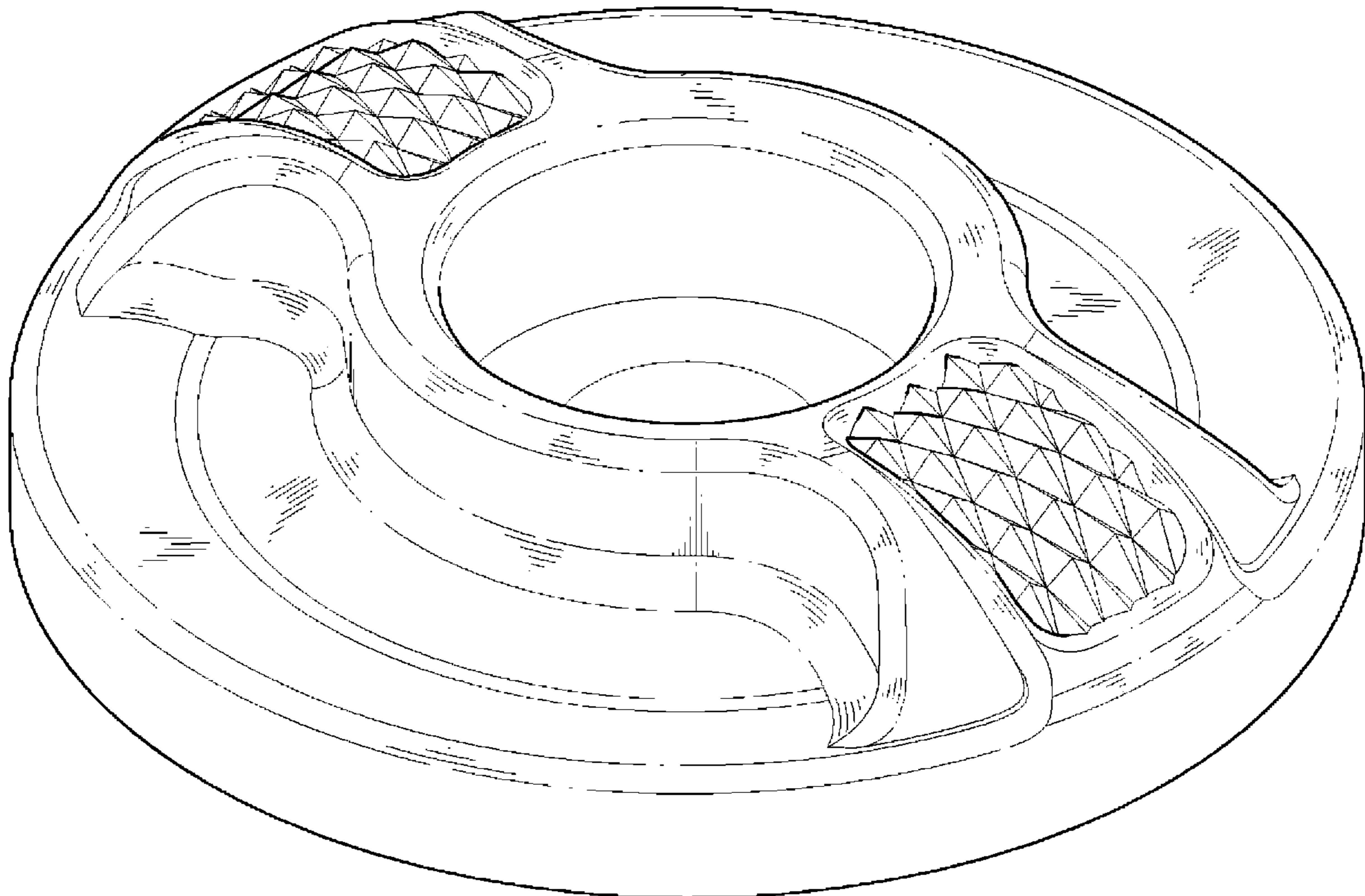
FIG. 8 is a perspective view of a embodiment of a rotary button for a hand tool showing my new design and the broken lines are for illustrative purpose and form no part of the claim.

(56) **References Cited**

U.S. PATENT DOCUMENTS

5,152,196	A *	10/1992	Garrett	81/58.1
D386,955	S *	12/1997	Jones et al.	D8/25
6,138,531	A *	10/2000	Lamons	D8/25
D462,246	S *	9/2002	Skeens	D8/25
6,898,998	B2 *	5/2005	Shyu	81/63.1
6,938,521	B1 *	9/2005	Skeens	81/60
7,093,519	B1 *	8/2006	Huang	81/60

1 Claim, 8 Drawing Sheets



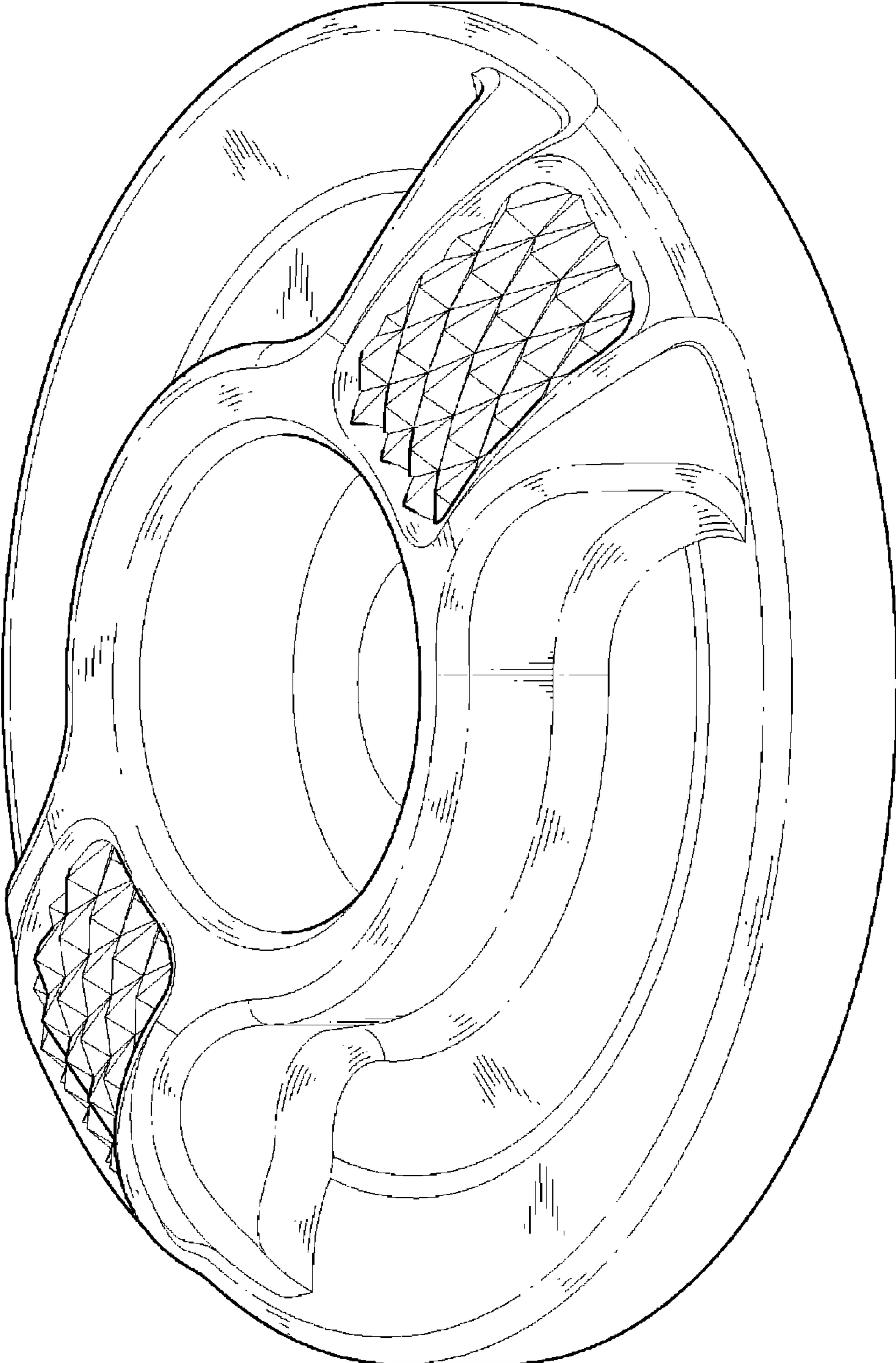


FIG. 1

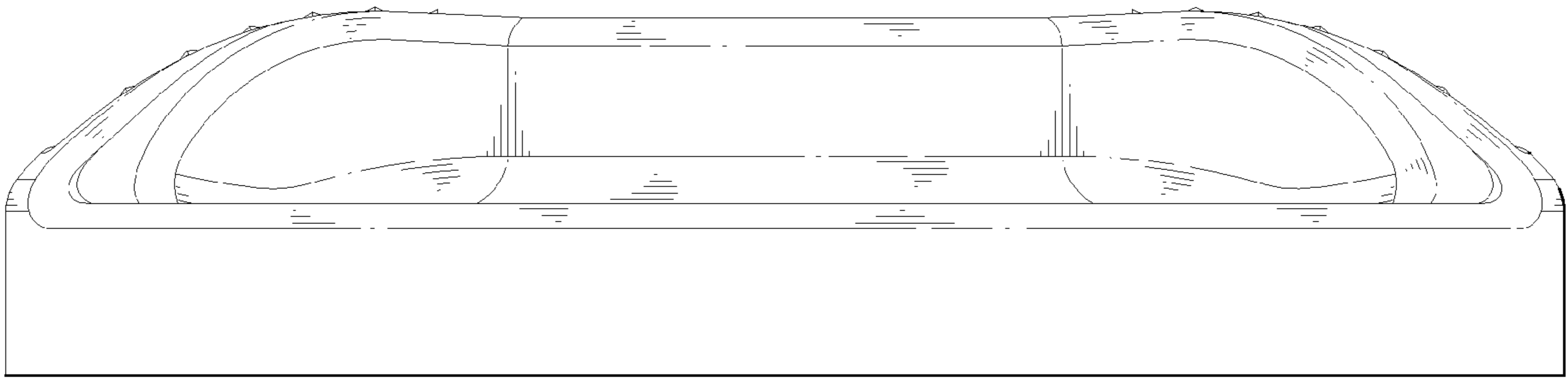


FIG. 2

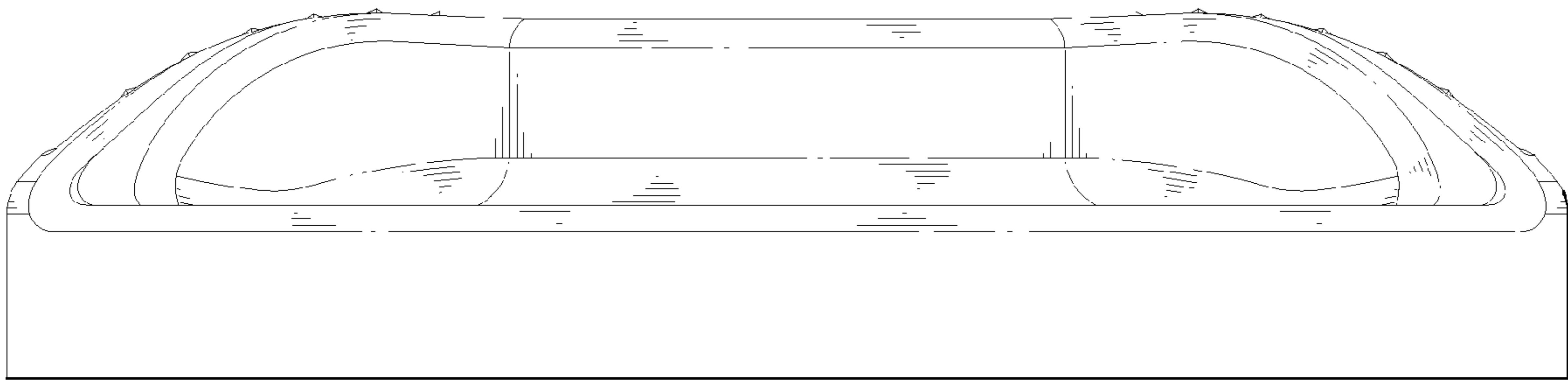


FIG. 3

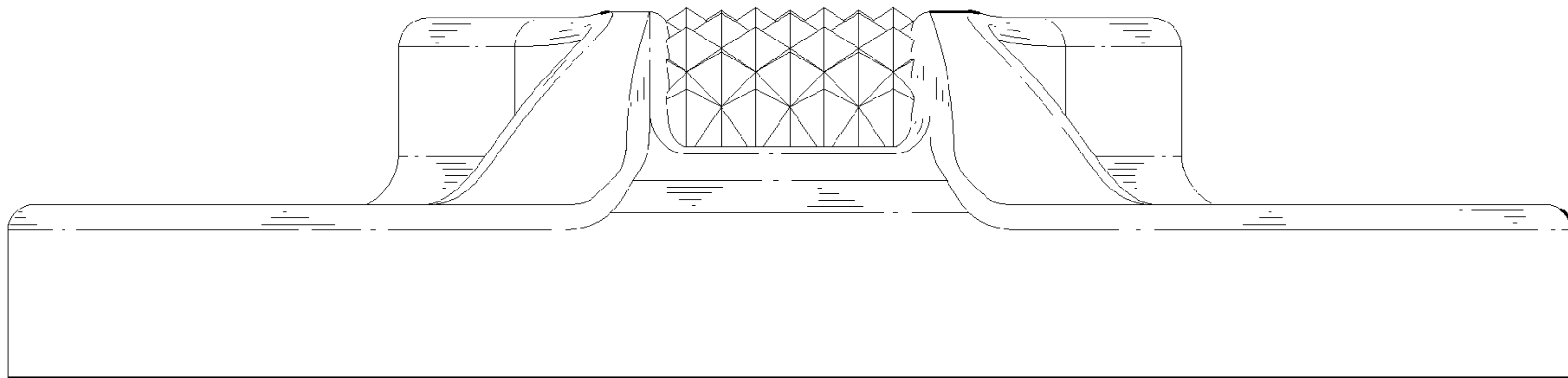


FIG. 4

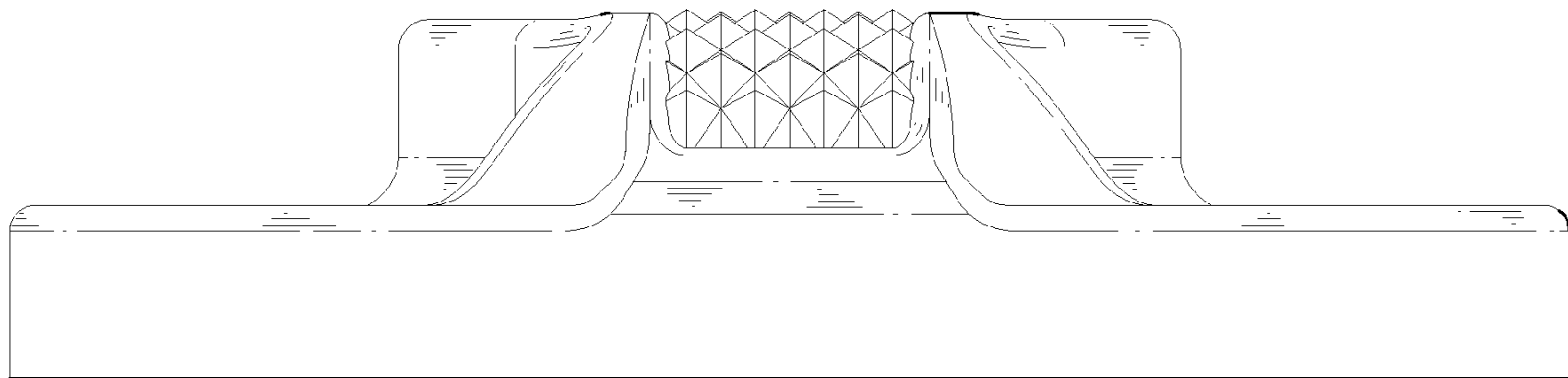


FIG. 5

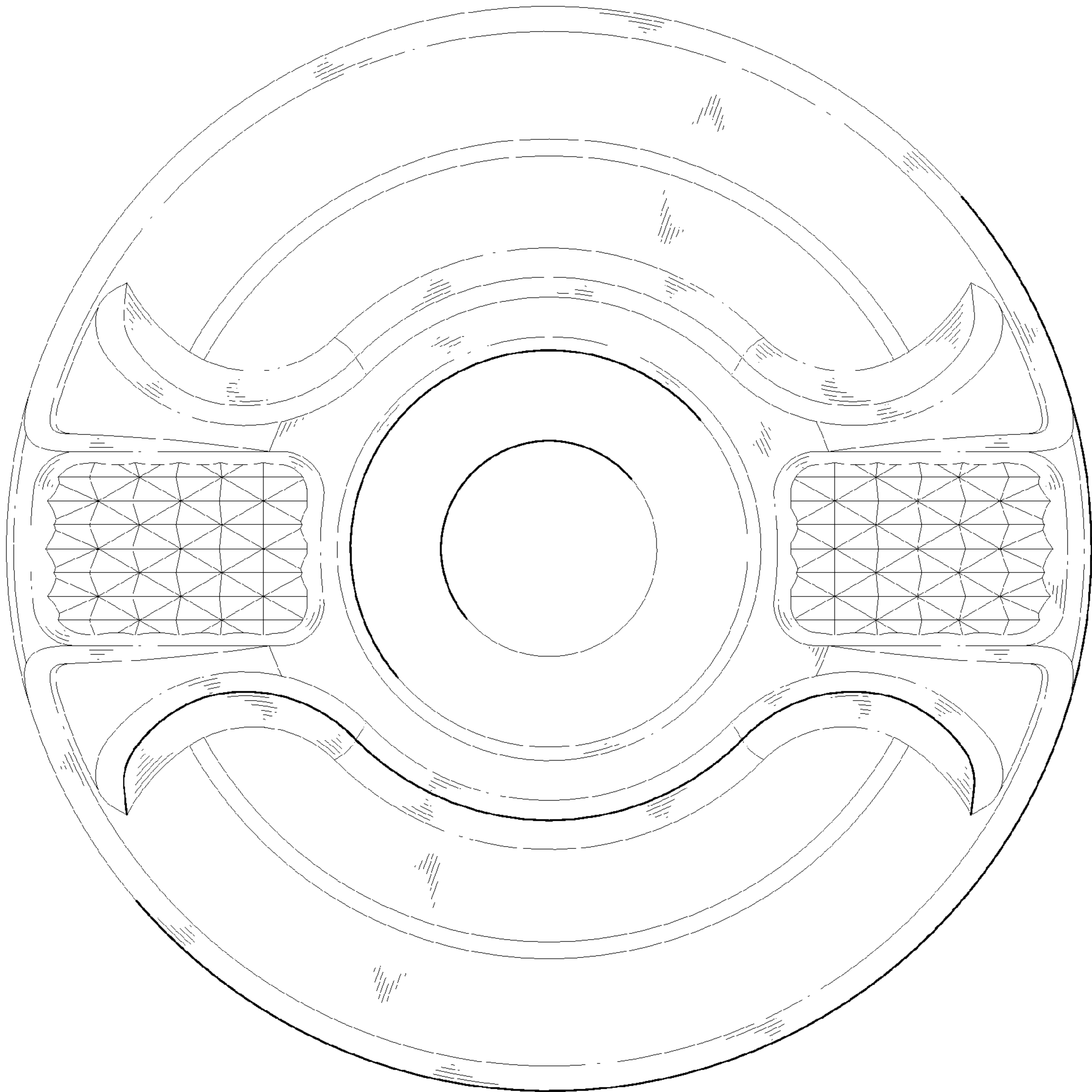


FIG. 6

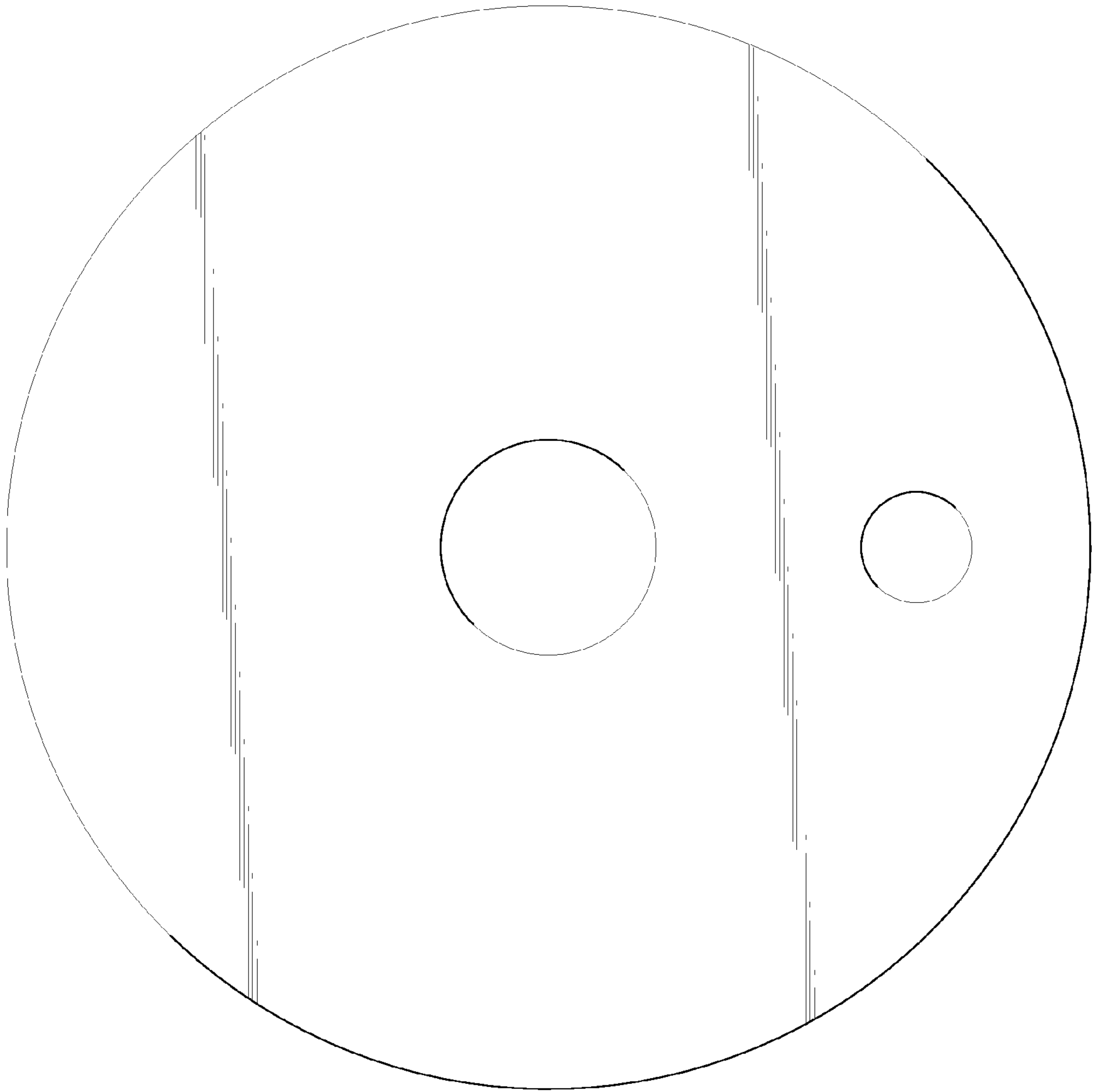


FIG. 7

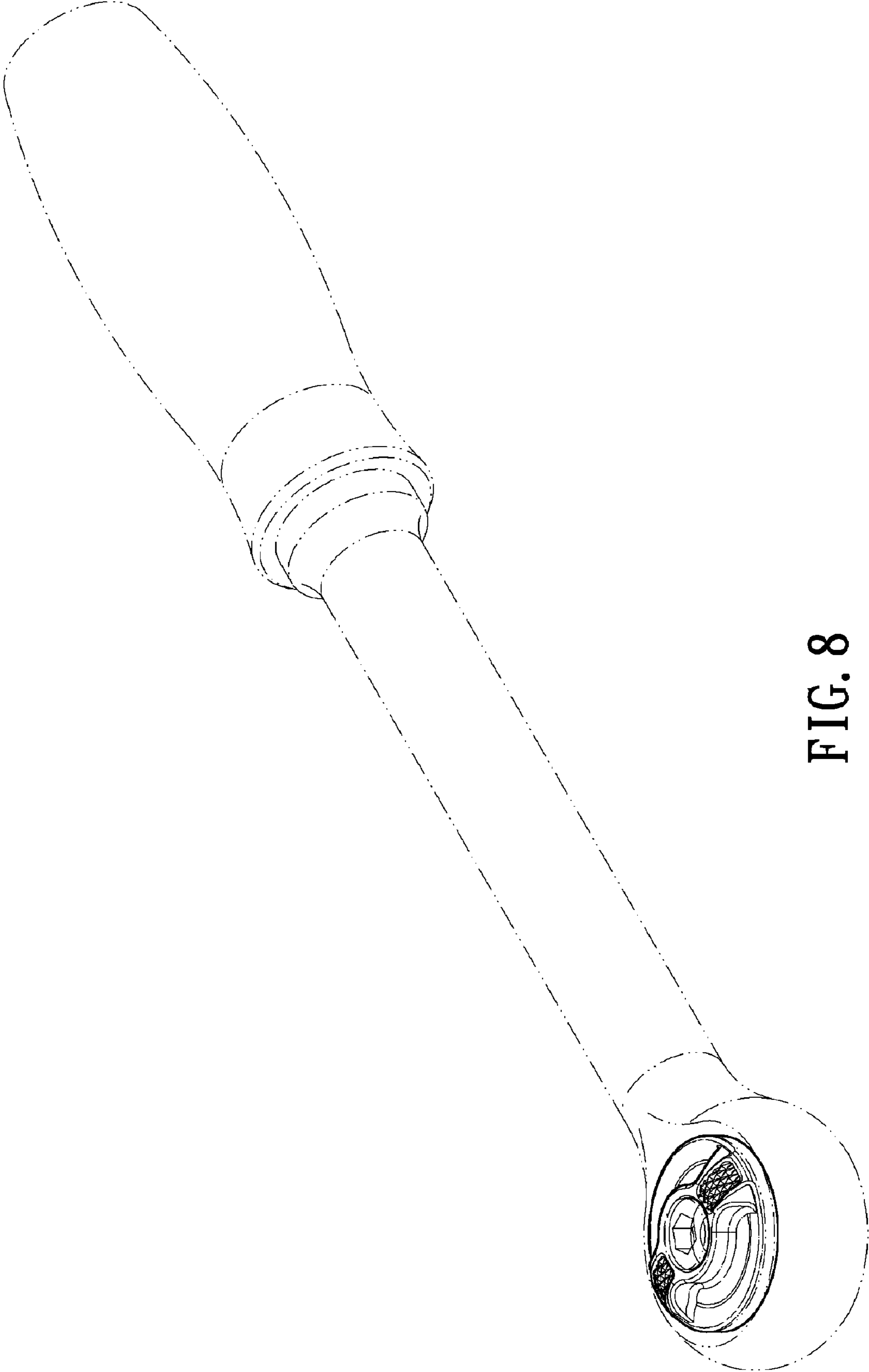


FIG. 8