



US00D623910S

(12) **United States Design Patent**  
**Botkin**

(10) **Patent No.:** **US D623,910 S**

(45) **Date of Patent:** **\*\* Sep. 21, 2010**

(54) **CONCRETE STAKE PULLER**

(76) **Inventor:** **Jason M. Botkin**, 21 Lake Forest Ct.,  
Troy, MO (US) 63379

(\*\*) **Term:** **14 Years**

(21) **Appl. No.:** **29/340,688**

(22) **Filed:** **Jul. 23, 2009**

(51) **LOC (9) Cl.** ..... **08-05**

(52) **U.S. Cl.** ..... **D8/14**

(58) **Field of Classification Search** ..... D8/14,  
D8/88-89; 254/30, 131-132

See application file for complete search history.

(56) **References Cited**

U.S. PATENT DOCUMENTS

90,559	A *	5/1869	Knott	.....	254/132
2,582,284	A	4/1946	Sarosdy		
2,442,249	A	10/1947	Schultz		
2,697,000	A	9/1954	Giffen		
3,211,240	A	7/1964	Smitter et al.		
D224,080	S *	7/1972	Lawson	.....	D8/14
3,762,687	A	10/1973	De Rome et al.		
3,815,875	A	6/1974	Koebel, Jr.		
3,865,348	A *	2/1975	Close	.....	254/132
3,902,751	A	9/1975	Burkpile et al.		
4,454,792	A	6/1984	Burris		
4,671,493	A *	6/1987	Ravencroft	.....	254/131
4,712,819	A	12/1987	Pope		
4,738,433	A *	4/1988	Hoff	.....	254/30
4,792,120	A	12/1988	Egaas		
D311,311	S *	10/1990	Metzger	.....	D8/14
D311,480	S *	10/1990	Stamps	.....	D8/14
5,025,867	A	6/1991	Muller		
D329,969	S *	10/1992	Kemp	.....	D8/21
5,186,437	A *	2/1993	Scott	.....	254/30
5,379,986	A	1/1995	Perez et al.		
D368,839	S *	4/1996	Hunter	.....	D8/88
D371,492	S *	7/1996	Pfeil et al.	.....	D8/14
5,564,232	A	10/1996	Callaway		

5,594,975	A	1/1997	Christen		
5,855,358	A	1/1999	Witter		
D404,985	S *	2/1999	Fredrickson	.....	D8/14
D412,270	S *	7/1999	Fredrickson	.....	D8/14
7,040,602	B1	5/2006	Williams		
7,082,954	B1	8/2006	Flanery et al.		
7,086,640	B2 *	8/2006	Carmouche	.....	254/30
7,185,880	B1	3/2007	McCray		
D569,211	S *	5/2008	Peddie	.....	D8/88
7,401,827	B1	7/2008	McGuerty		
D591,578	S *	5/2009	Harpell	.....	D8/89

\* cited by examiner

*Primary Examiner*—Philip S Hyder

*Assistant Examiner*—Roselynn Cody

(74) *Attorney, Agent, or Firm*—Grace J. Fishel

(57) **CLAIM**

The ornamental design for a concrete stake puller, as shown and described.

**DESCRIPTION**

FIG. 1 is a perspective view of a concrete stake puller showing my new design in use;

FIG. 2 is a front elevation view of the puller.

FIG. 3 is a side elevation view thereof.

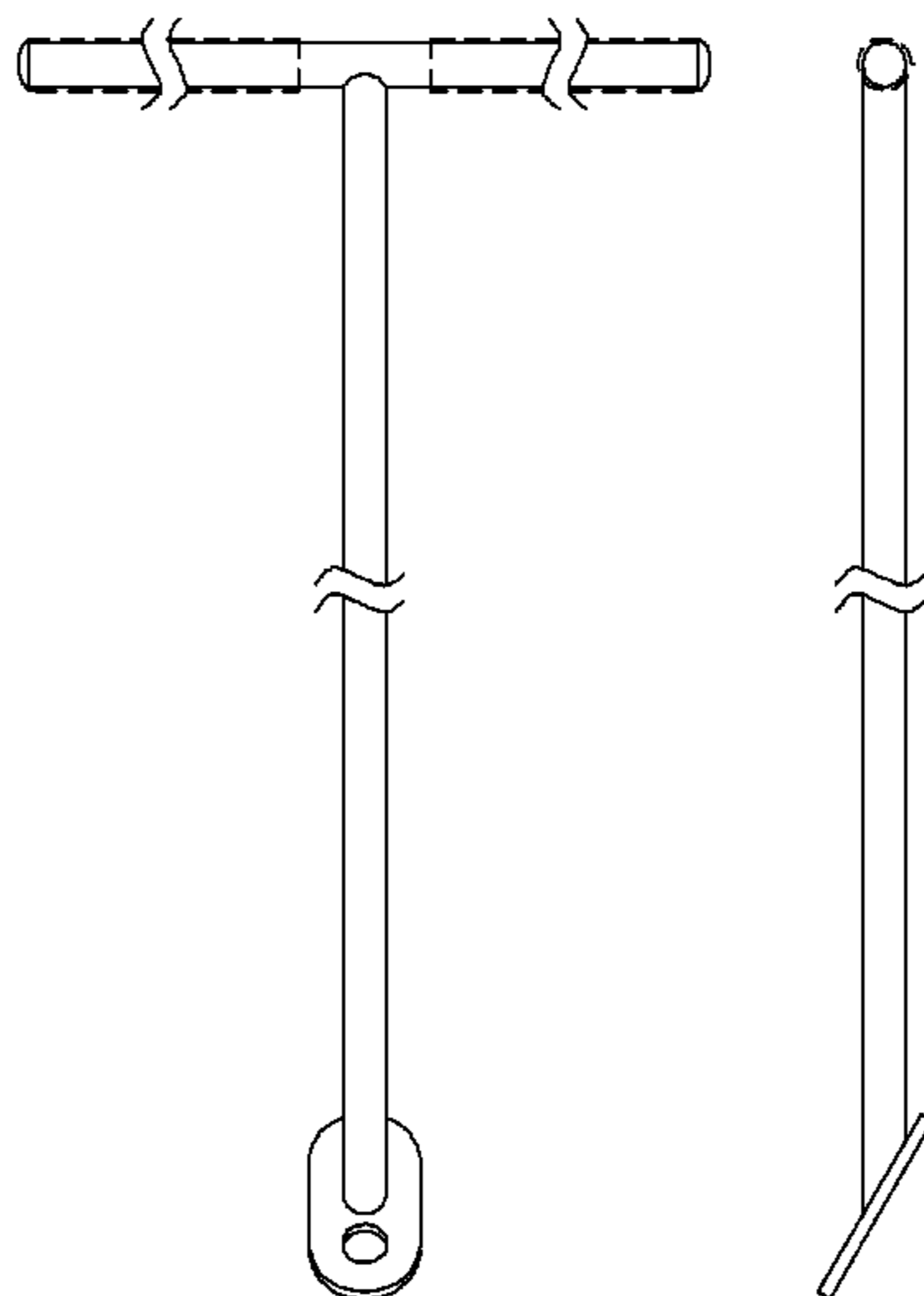
FIG. 4 is a rear elevation view thereof.

FIG. 5 is a bottom view thereof; and,

FIG. 6 is a top view thereof.

The concrete stake and workman shown in broken lines in FIG. 1 denote the nature and environmental use of the design and are not part of the claimed design. The protective covering shown in broken lines on the handles in FIGS. 2-6 also forms no part of the claimed design. The graphic symbol used on the shaft of the concrete stake puller and on the right and left handles indicates no particular length; the claim is directed only to those portions of the design that are disclosed in solid line.

**1 Claim, 3 Drawing Sheets**



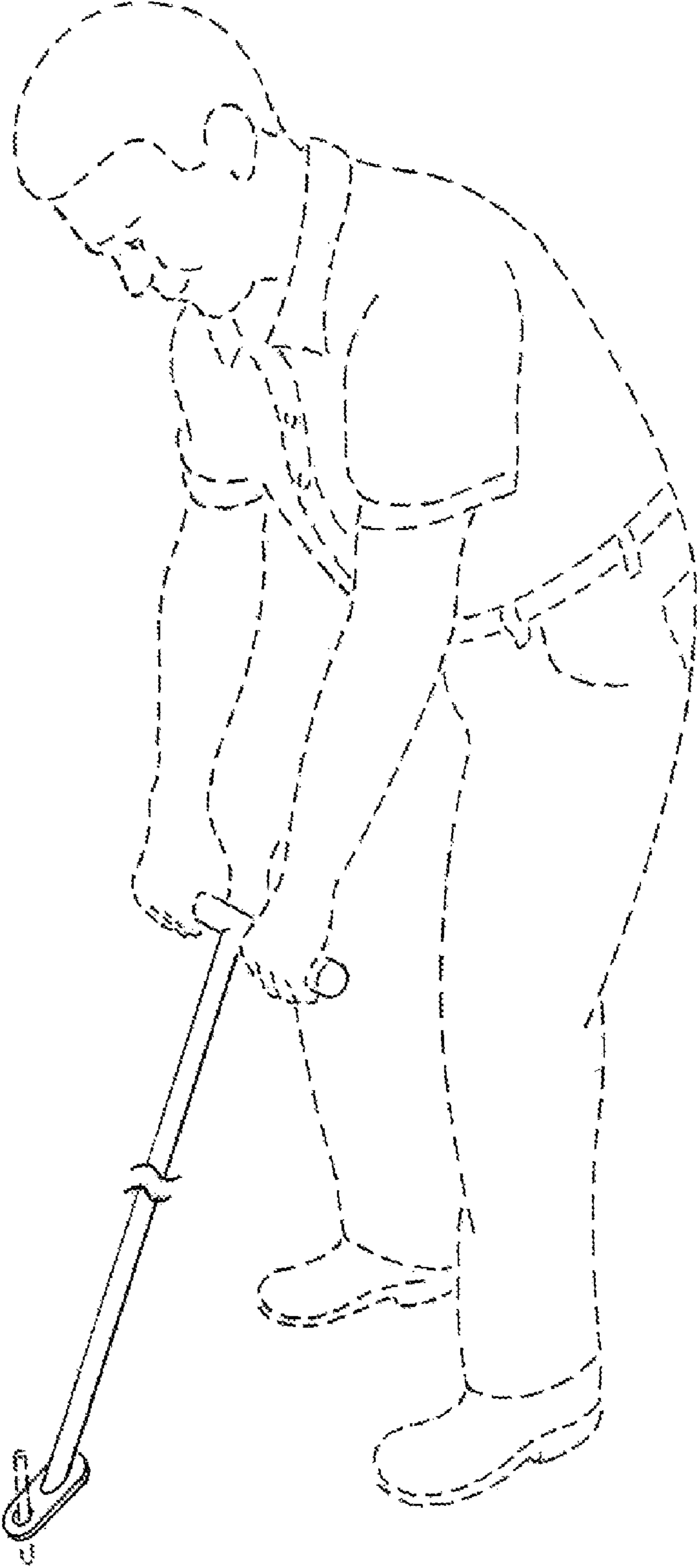


Fig. 1

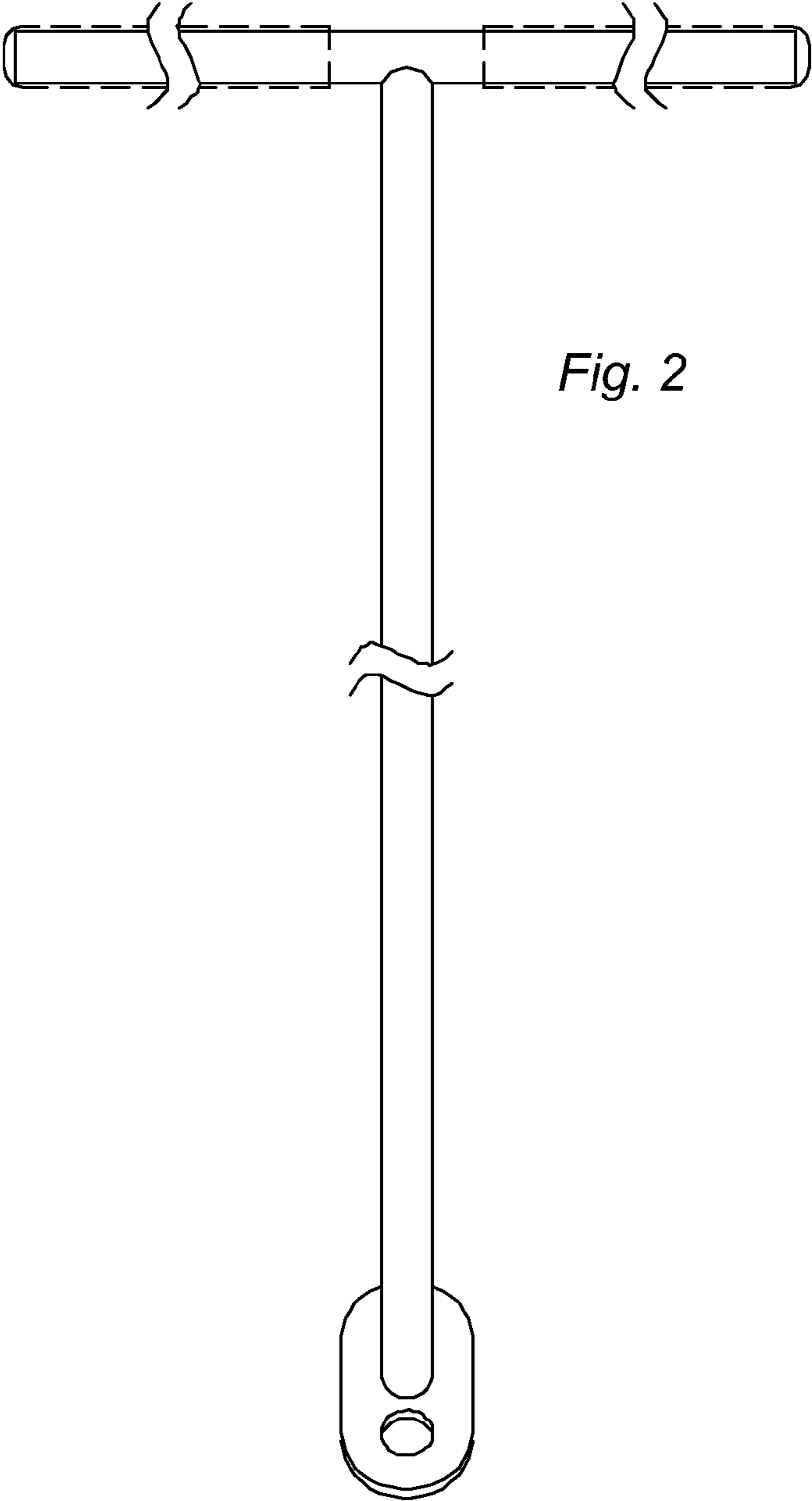


Fig. 2

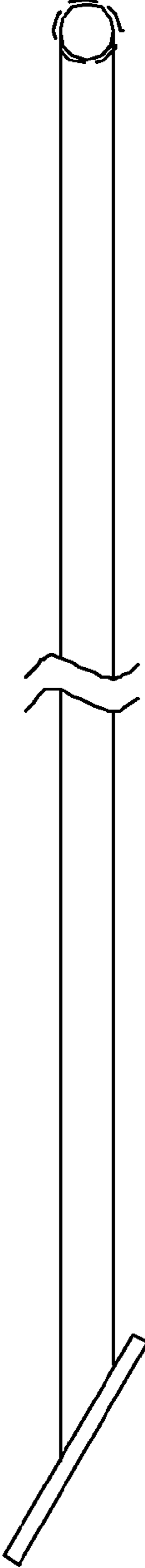


Fig. 3

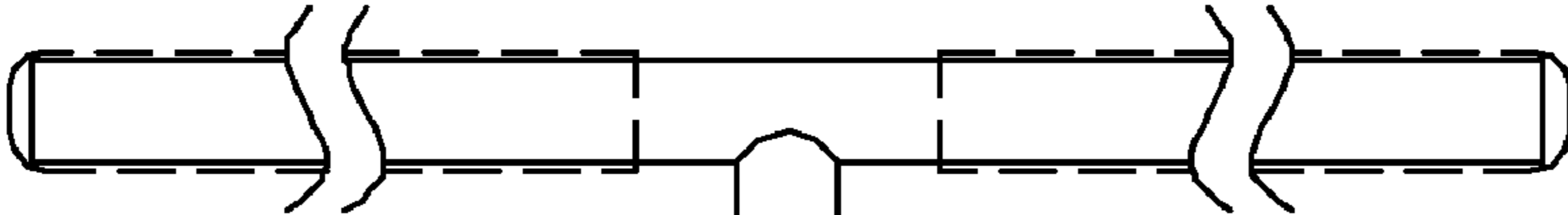


Fig. 4

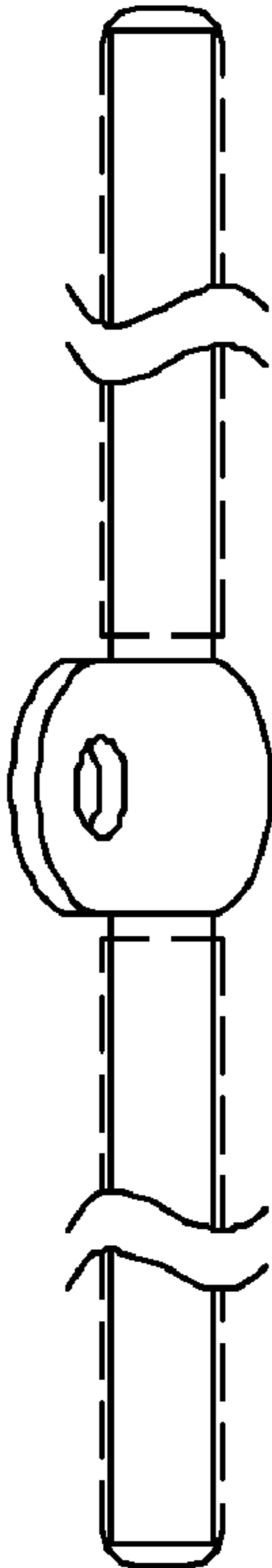


Fig. 5

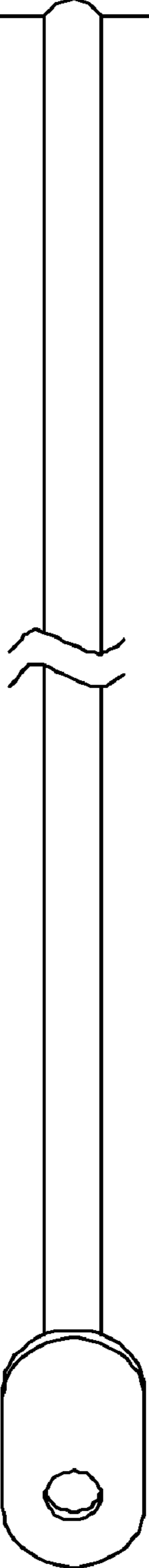


Fig. 6

