



US00D623909S

(12) **United States Design Patent**
Tate et al.

(10) **Patent No.:** **US D623,909 S**
(45) **Date of Patent:** **** Sep. 21, 2010**

(54) **HEDGETRIMMER WITH ROTATING HANDLE**

D468,600 S * 1/2003 Evans D8/8

(Continued)

(75) Inventors: **Clare Tate**, County Durham (GB);
Mark Stratford, County Durham (GB)

FOREIGN PATENT DOCUMENTS

DE 2816485 10/1979

(Continued)

(73) Assignee: **Black & Decker Inc.**, Newark, DE (US)

(**) Term: **14 Years**

Primary Examiner—Holly H Baynham

Assistant Examiner—Sheryl Lane

(21) Appl. No.: **29/346,339**

(74) *Attorney, Agent, or Firm*—John Yun; Bruce S. Shapiro;

Stephen Valancius

(22) Filed: **Oct. 30, 2009**

(51) **LOC (9) Cl.** **08-01**

(57) **CLAIM**

(52) **U.S. Cl.** **D8/8**

The ornamental design for a hedgetrimmer with rotating handle, as shown and described.

(58) **Field of Classification Search** D8/7,
D8/8, 9; 30/208, 276, 228, 382, 383, 216;
56/12.7, 233–237

DESCRIPTION

See application file for complete search history.

FIG. 1 is a perspective view of the hedgetrimmer showing my new design.

(56) **References Cited**

U.S. PATENT DOCUMENTS

3,044,171	A	7/1962	Cecere	
3,637,029	A	1/1972	Sherwood, Jr. et al.	
4,381,037	A	4/1983	Cuneo	
4,785,540	A	11/1988	Arvidsson	
4,974,325	A	12/1990	Hartlein	
5,201,146	A	4/1993	Fushiya	
5,269,045	A	12/1993	DeSerio et al.	
5,339,572	A	8/1994	Eicher	
5,407,381	A	4/1995	Schaefer et al.	
5,466,183	A	11/1995	Kirn et al.	
D372,407	S *	8/1996	Haneda et al.	D8/8
5,778,649	A	7/1998	Losdahl et al.	
6,021,757	A	2/2000	Nagashima	
6,108,867	A	8/2000	Nagashima	
6,293,859	B1	9/2001	Fink et al.	
D460,667	S *	7/2002	Waldron	D8/8
D462,882	S *	9/2002	Evans	D8/8
D463,228	S *	9/2002	Cooper	D8/8
D463,229	S *	9/2002	Gabriel	D8/8

FIG. 2 is a front view of the hedgetrimmer according to FIG. 1.

FIG. 3 is a rear view of the hedgetrimmer according to FIG. 1.

FIG. 4 is a right side view of the hedgetrimmer according to FIG. 1.

FIG. 5 is a left side view of the hedgetrimmer according to FIG. 1.

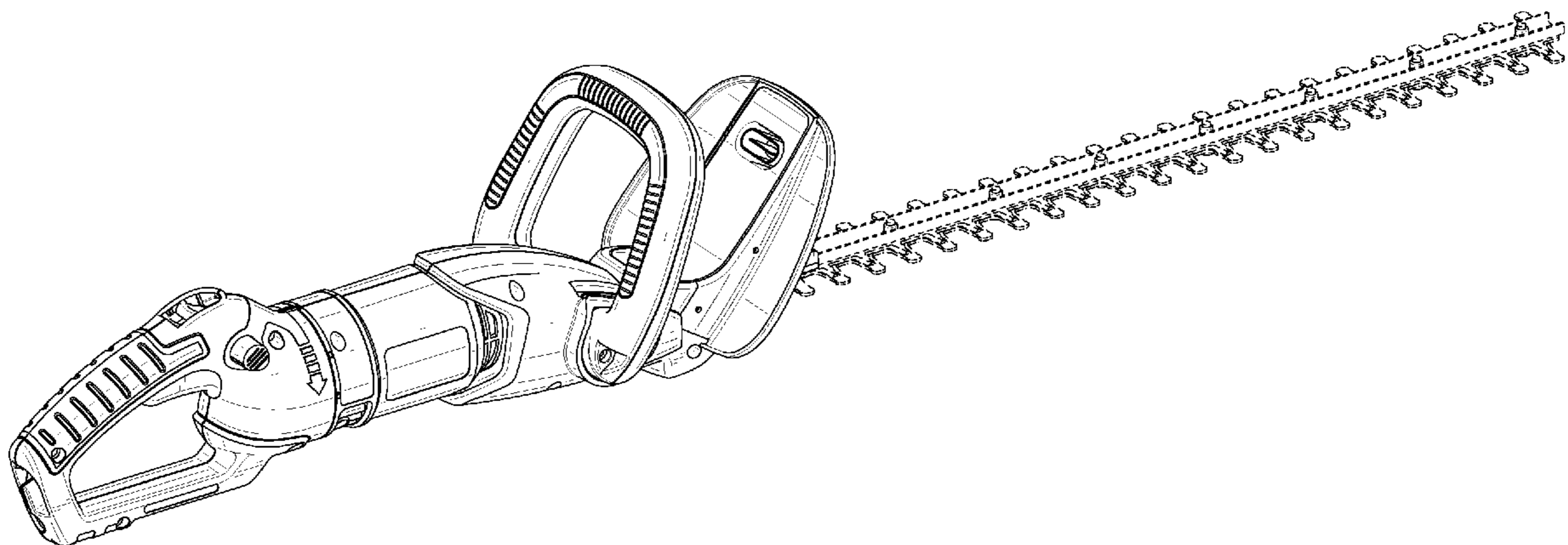
FIG. 6 is a top view of the hedgetrimmer according to FIG. 1.

FIG. 7 is a bottom view of the hedgetrimmer according to FIG. 1; and,

FIG. 8 is a second perspective view of the hedgetrimmer according to FIG. 1 with the rear handle in a rotated position.

The broken line showing of the hedge trimmer blade has been included for the purpose of illustrating portions of the article that form no part of the claimed design.

1 Claim, 5 Drawing Sheets



US D623,909 S

Page 2

U.S. PATENT DOCUMENTS

6,602,122 B1 8/2003 Rudolf et al.
6,764,256 B2 7/2004 Miura
D505,602 S * 5/2005 Houghton D8/8
6,912,790 B2 7/2005 James et al.
6,973,726 B2 12/2005 Kramer
D522,818 S * 6/2006 Andriolo D8/8
7,159,322 B2 1/2007 Sasaki et al.
7,204,026 B2 4/2007 Phillips et al.
7,217,178 B2 5/2007 Oki et al.
D543,805 S * 6/2007 Houghton D8/8
D560,983 S * 2/2008 Tinius D8/8

D580,238 S * 11/2008 Murray D8/8
D580,239 S * 11/2008 Murray D8/8
D580,240 S * 11/2008 Murray D8/8
D582,225 S * 12/2008 Bochmann et al. D8/8
2004/0148789 A1 8/2004 Gist et al.
2005/0188552 A1 9/2005 Gist et al.
2005/0204568 A1 9/2005 Sasaki

FOREIGN PATENT DOCUMENTS

DE 3114906 10/1982

* cited by examiner

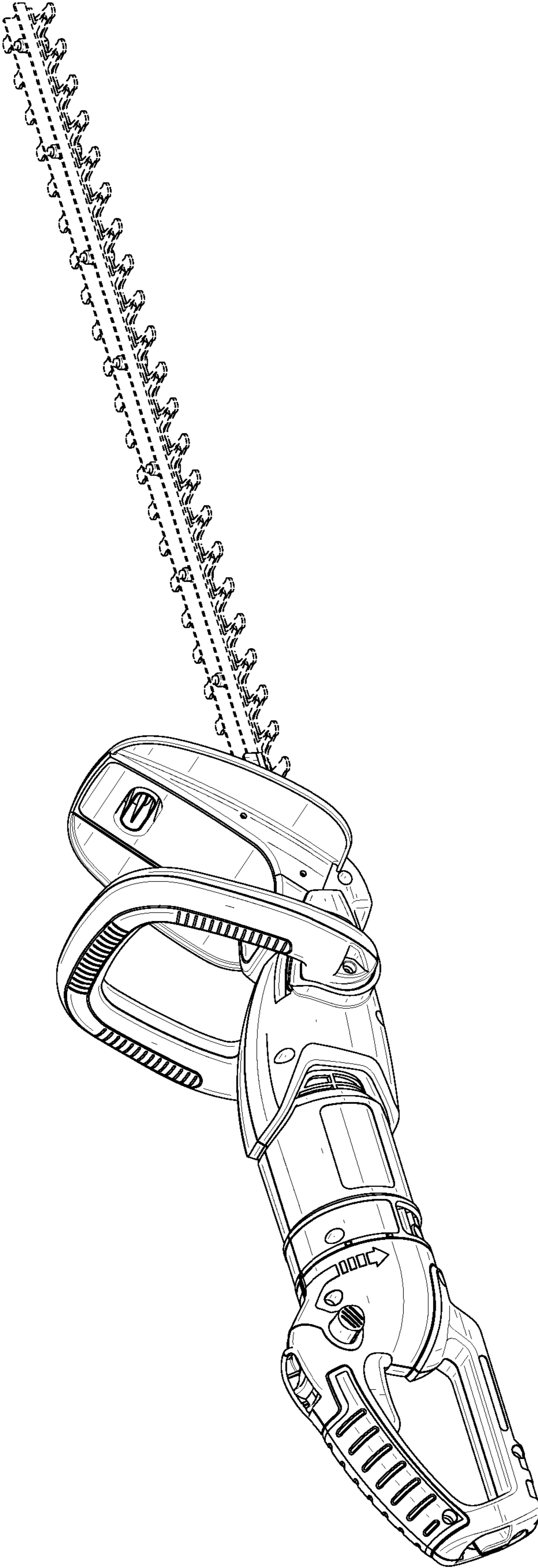


FIG. 1

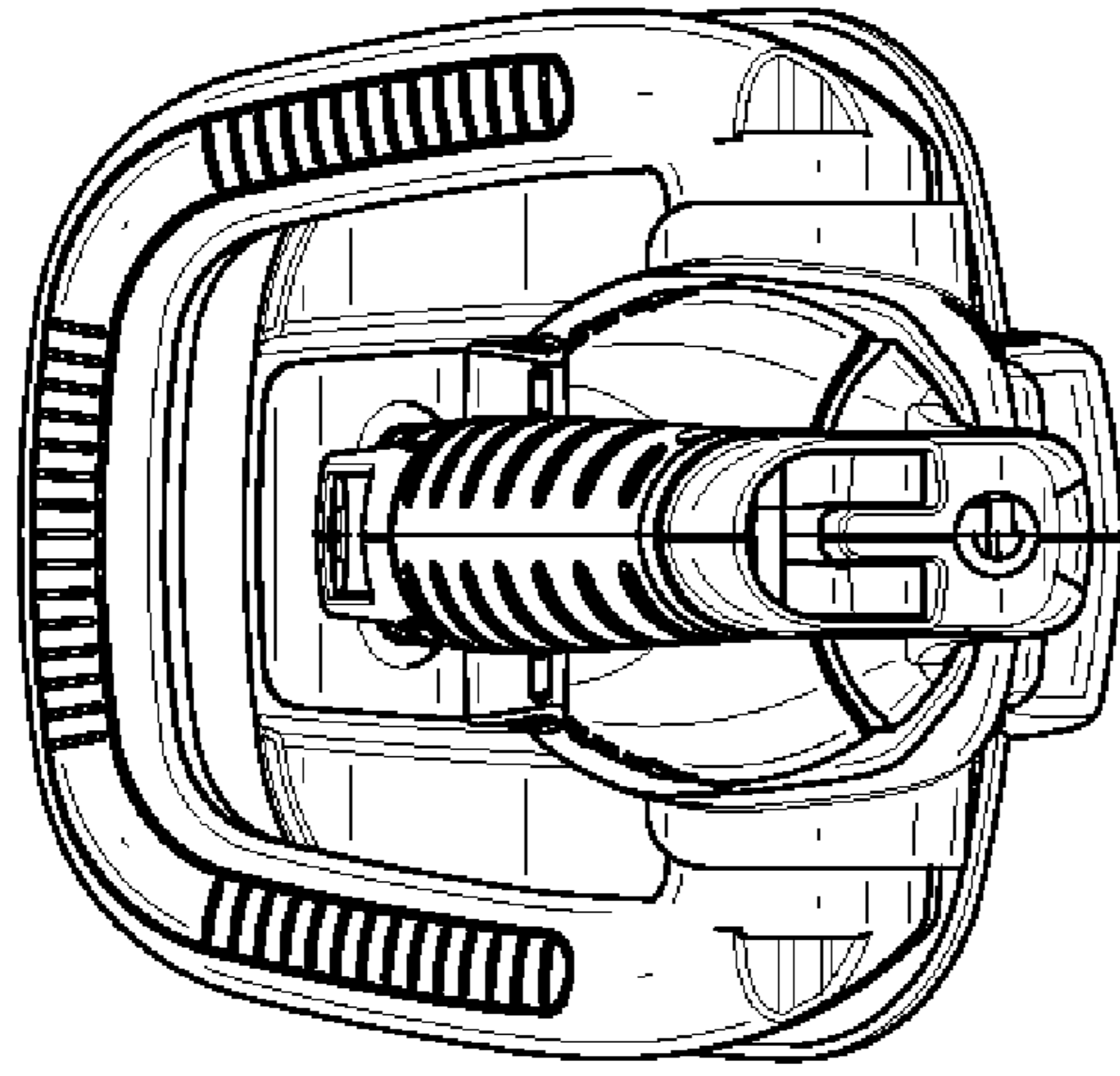


FIG. 2

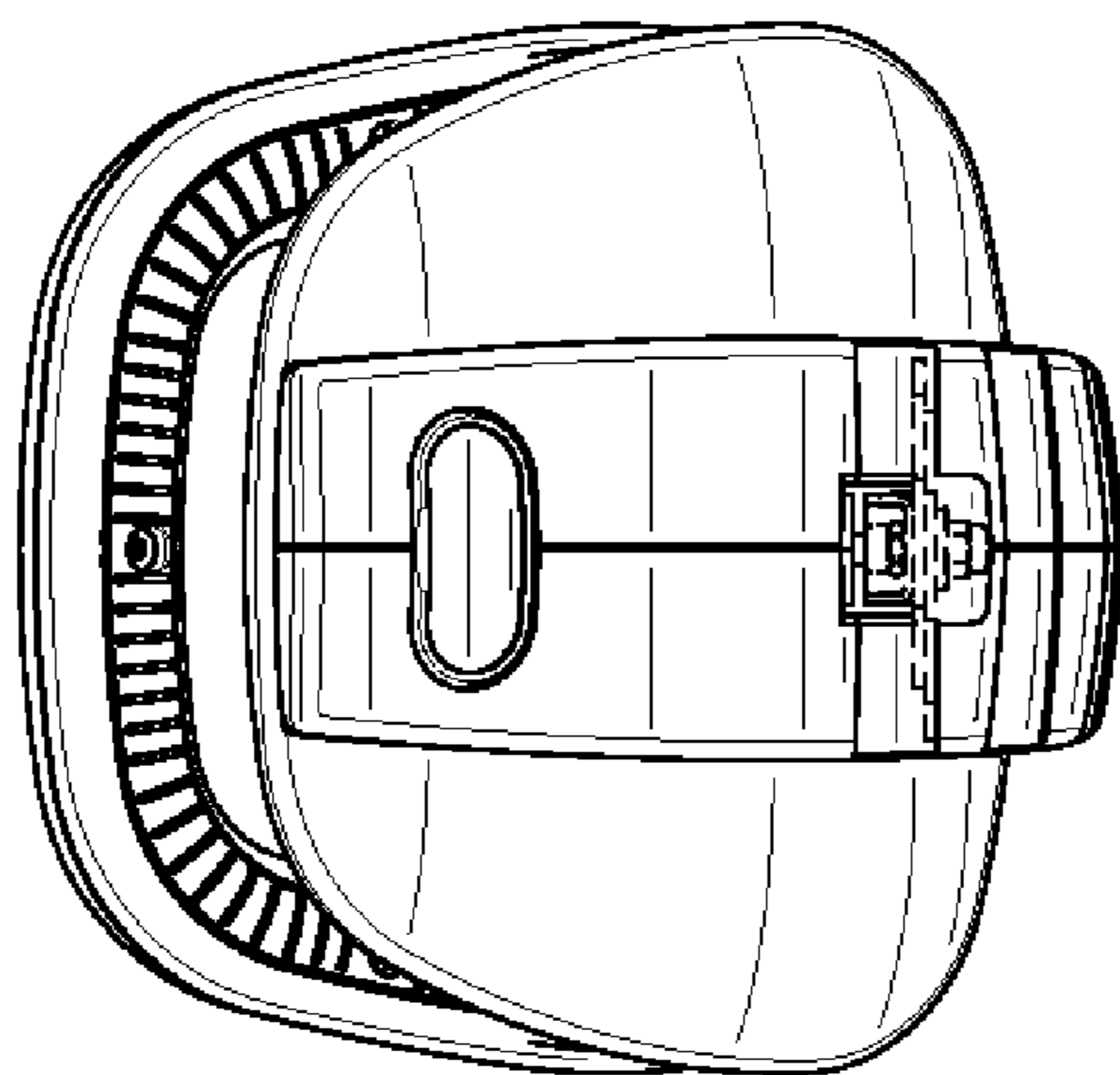


FIG. 3

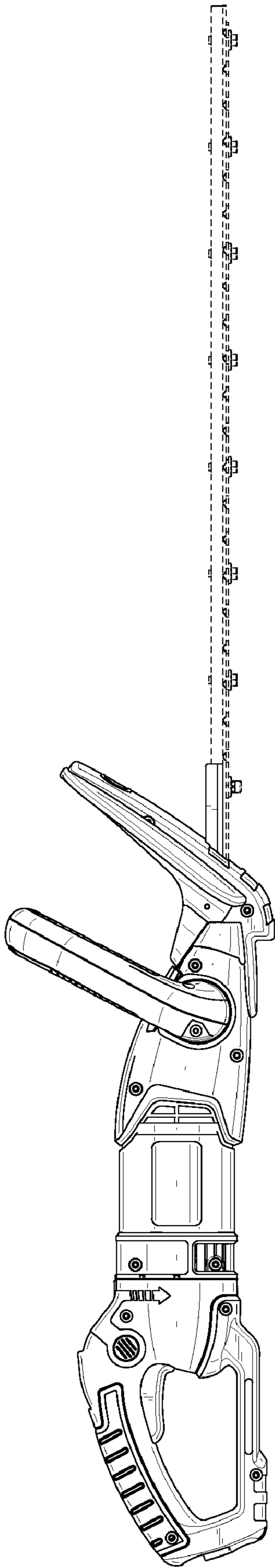


FIG. 4

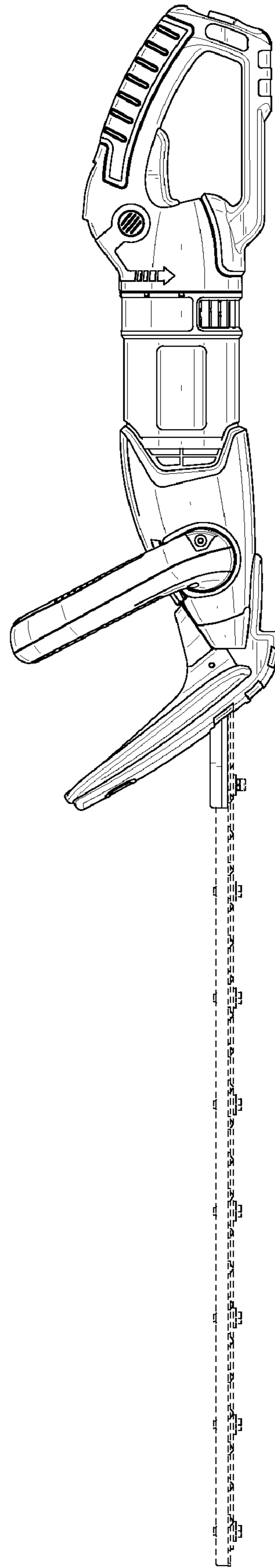


FIG. 5

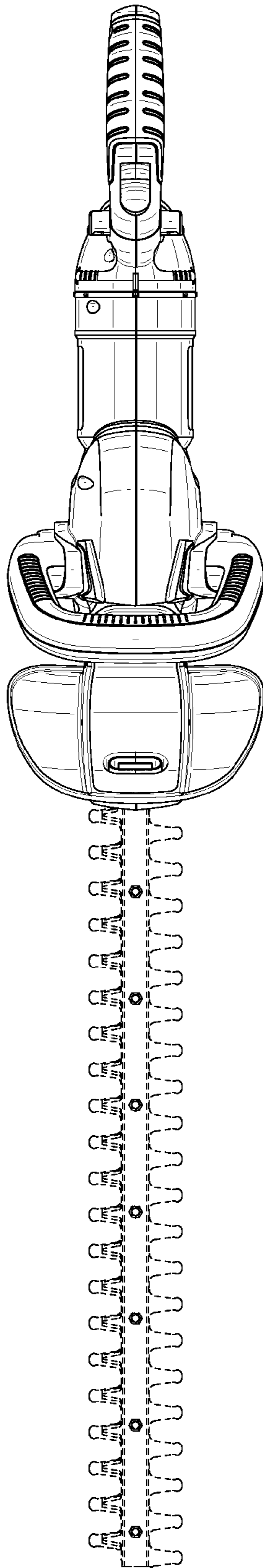


FIG. 6

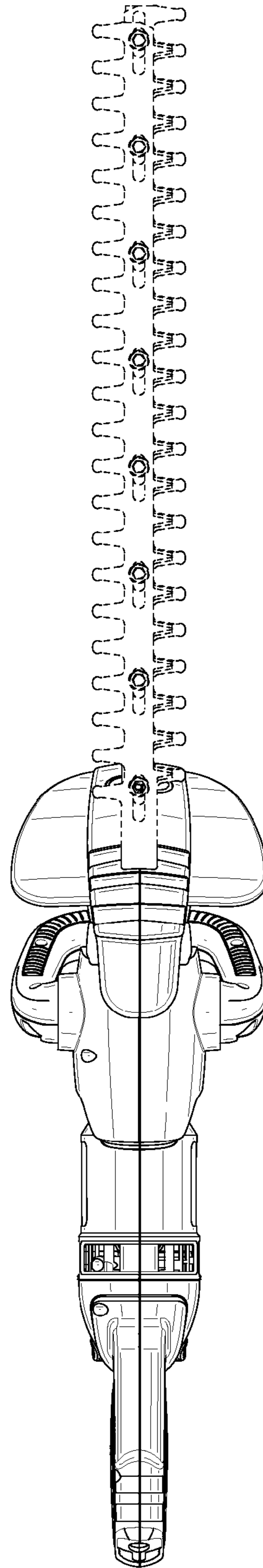


FIG. 7

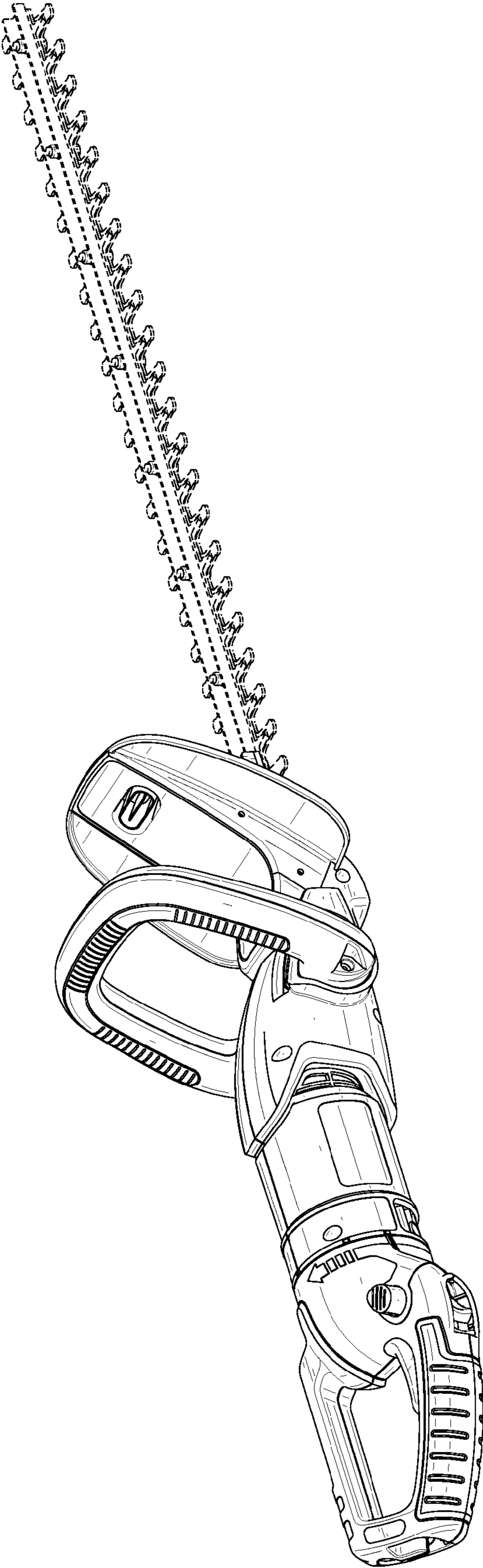


FIG. 8