



US00D623908S

(12) **United States Design Patent**
Wu

(10) **Patent No.:** **US D623,908 S**

(45) **Date of Patent:** **** Sep. 21, 2010**

(54) **JUICER**

D521,813 S * 5/2006 Piret D7/665
D539,080 S * 3/2007 Zhiwen et al. D7/384

(75) Inventor: **Andy Wu**, Quanzhou (CN)

* cited by examiner

(73) Assignee: **Quanzhou Yida Home Appliance Industrial Co., Ltd.**, Quanzhou, Fujian (CN)

Primary Examiner—Terry A Wallace
(74) *Attorney, Agent, or Firm*—Bacon & Thomas, PLLC

(**) Term: **14 Years**

(57) **CLAIM**

(21) Appl. No.: **29/347,540**

The ornamental design for a juicer, as shown and described.

(22) Filed: **Mar. 1, 2010**

DESCRIPTION

(51) **LOC (9) Cl.** **31-00**

FIG. 1 is a perspective view of a juicer showing my new design;

(52) **U.S. Cl.** **D7/665**

FIG. 2 is a front elevational view thereof;

(58) **Field of Classification Search** D7/665–668,
D7/373, 374, 381, 384; 241/36, 37.5, 92,
241/100, 282.1; 99/501–513, 495, 499, 348,
99/357

FIG. 3 is a rear elevational view thereof;

FIG. 4 is a left side elevational view thereof;

See application file for complete search history.

FIG. 5 is a right side elevational view thereof;

FIG. 6 is a top plan view thereof; and,

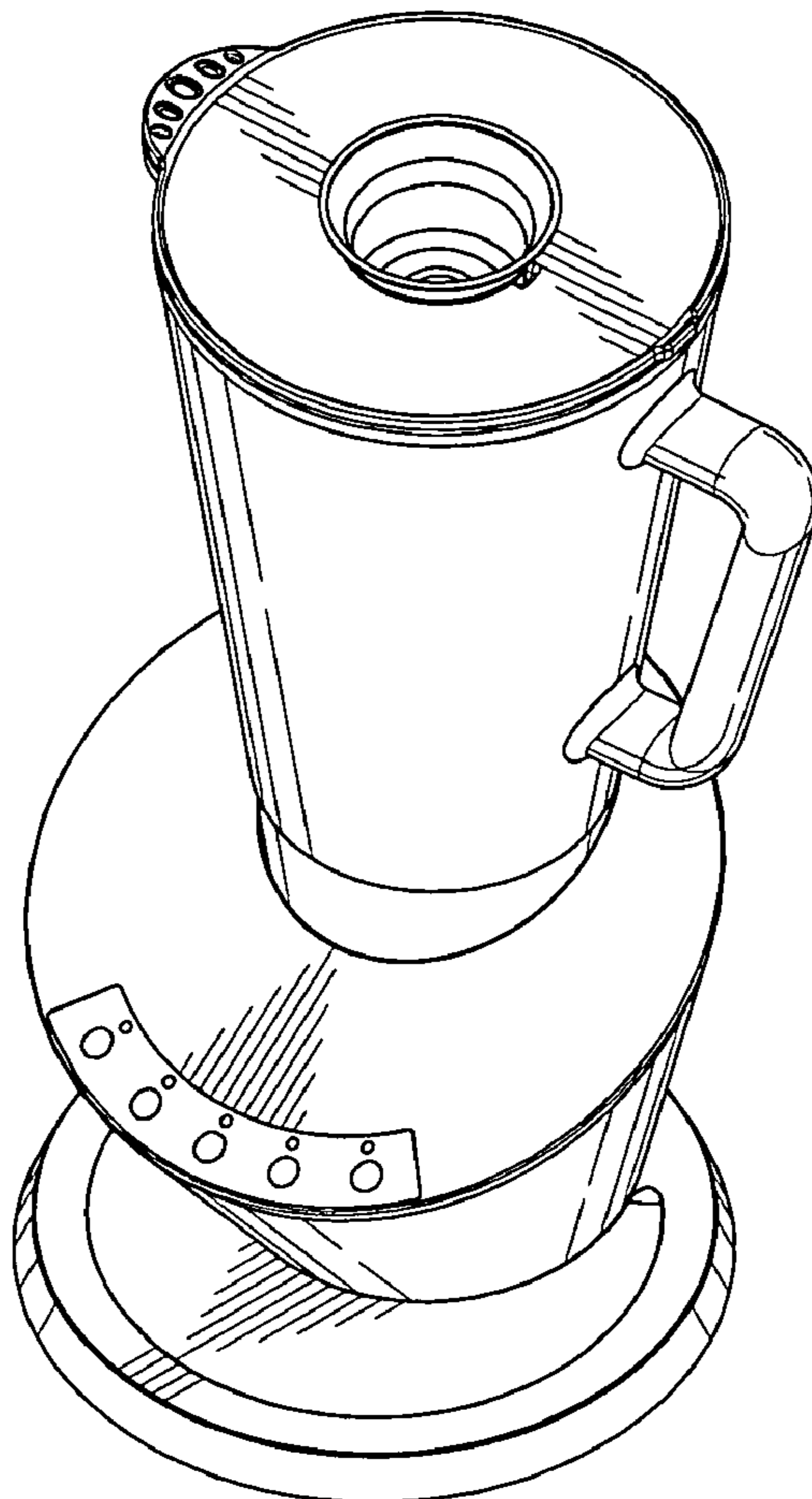
FIG. 7 is a bottom plan view thereof.

(56) **References Cited**

U.S. PATENT DOCUMENTS

D471,771 S * 3/2003 Hallar D7/665

1 Claim, 4 Drawing Sheets



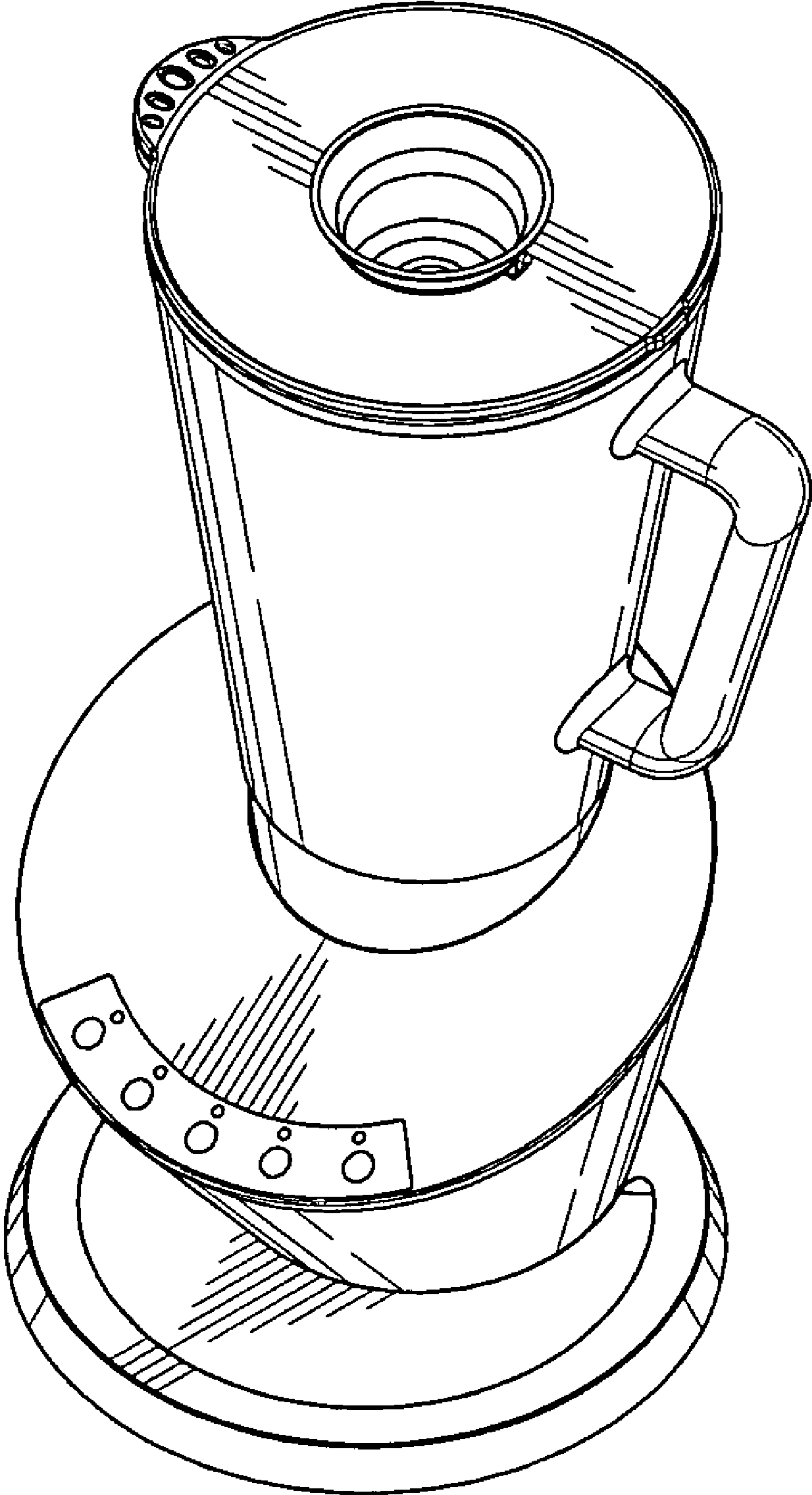


FIG. 1

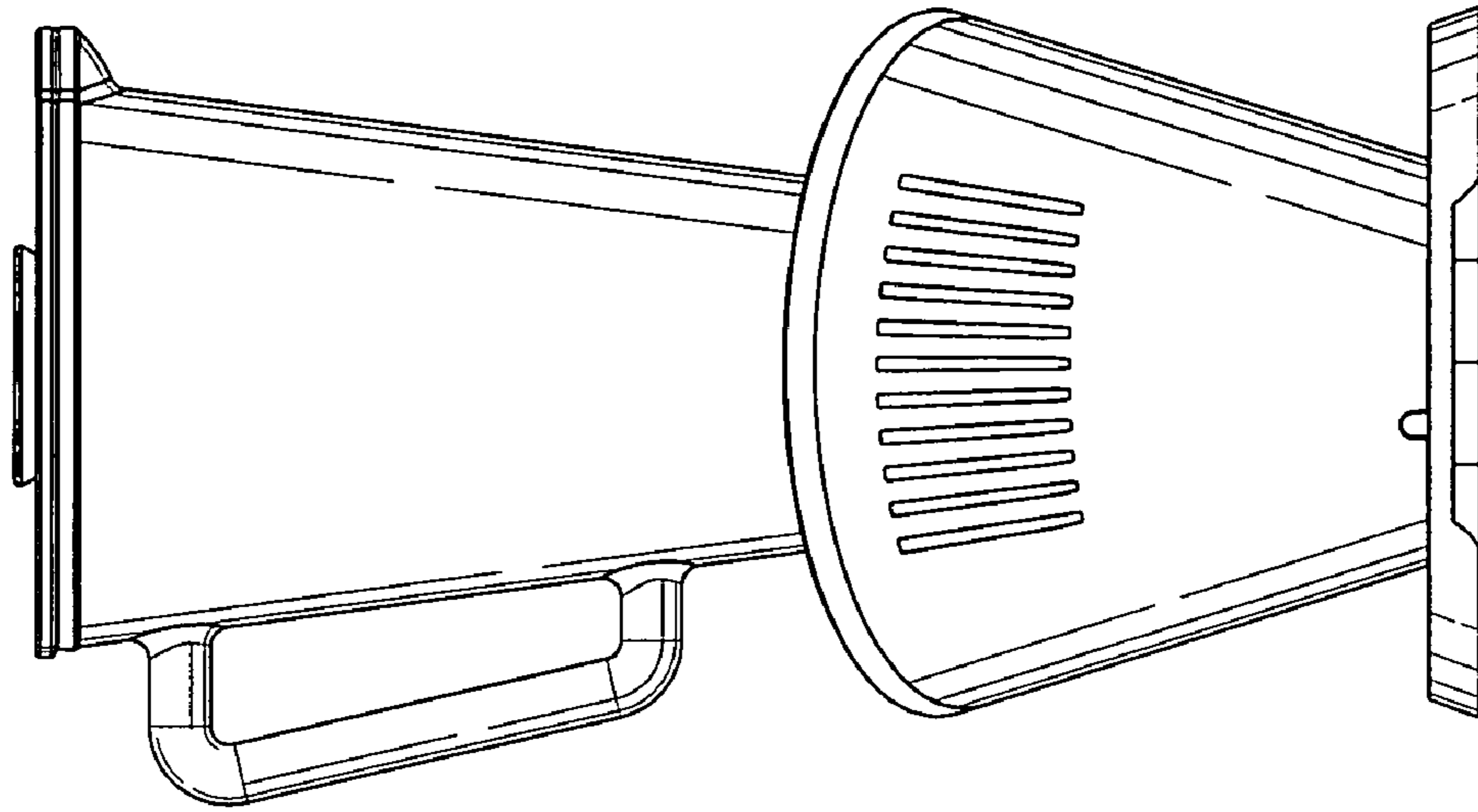


FIG. 3

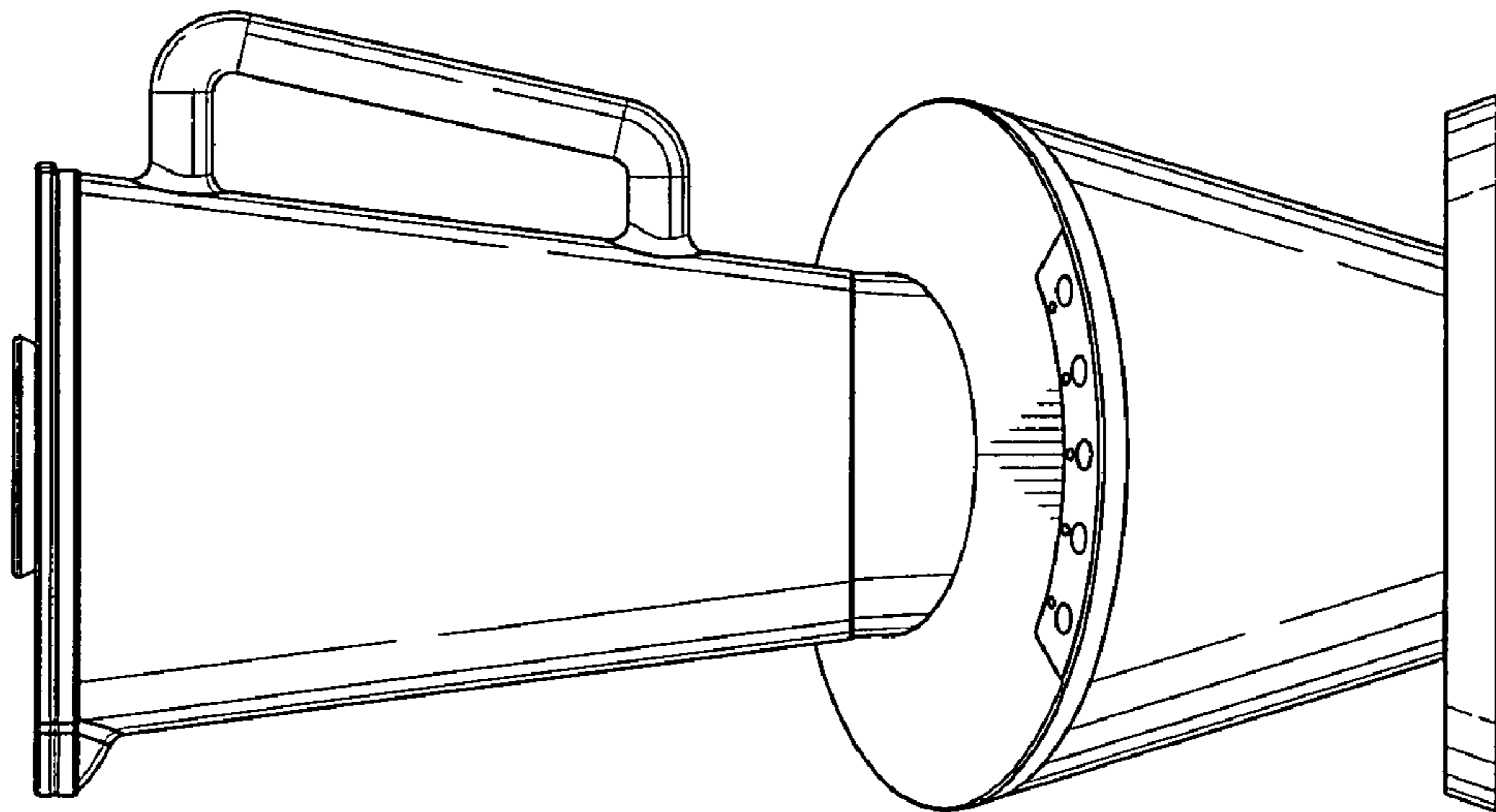


FIG. 2

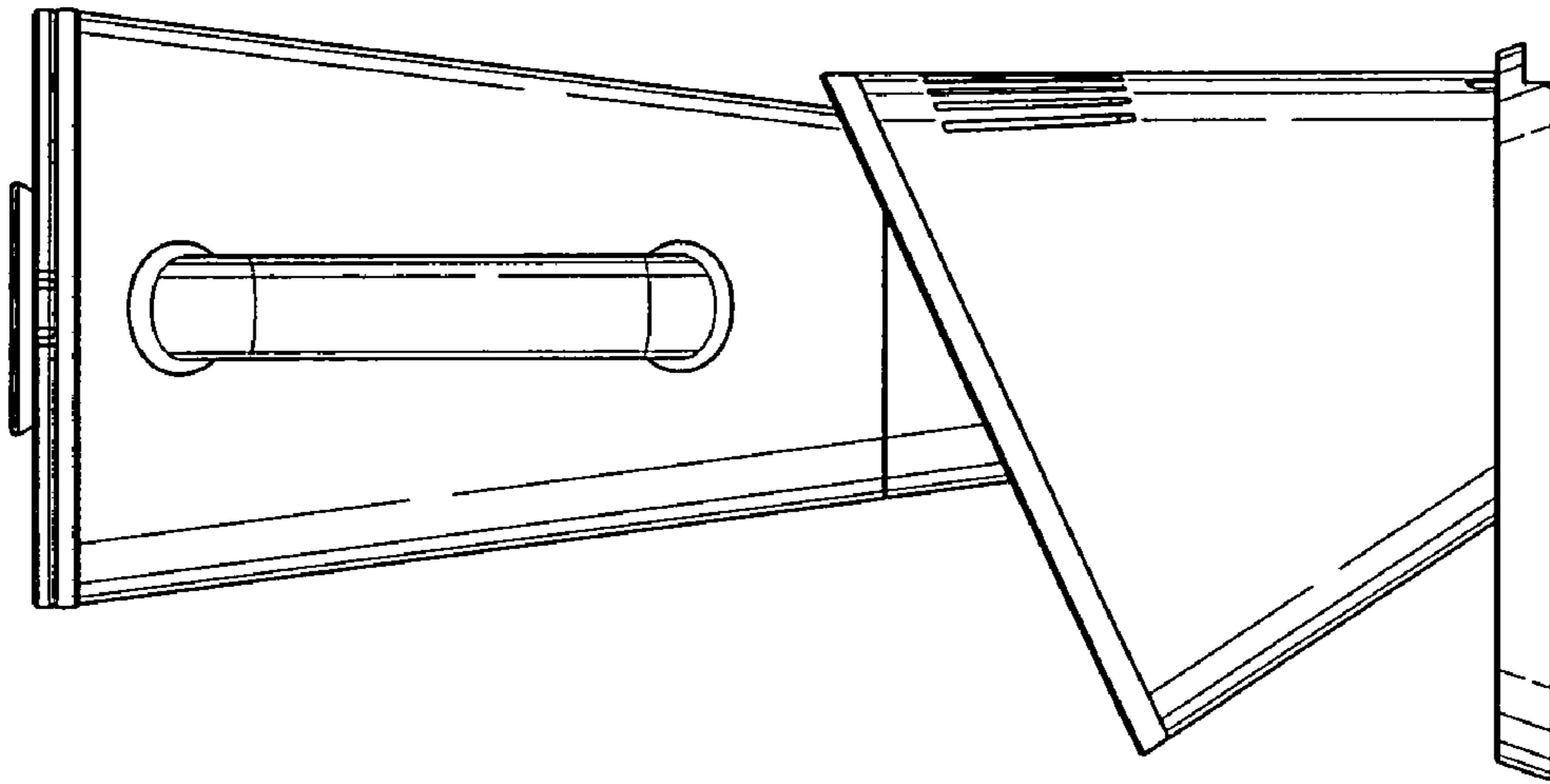


FIG. 5

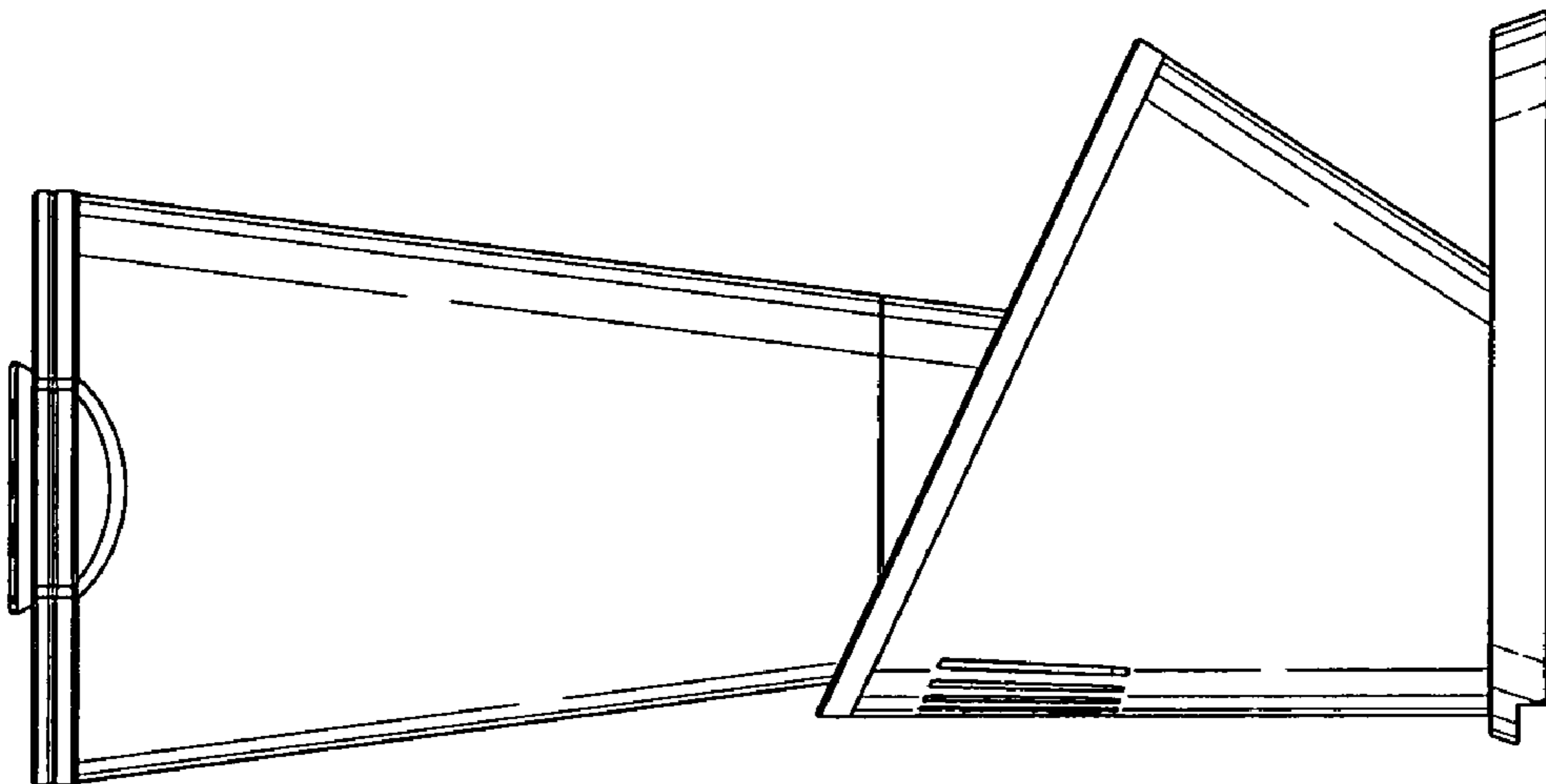


FIG. 4

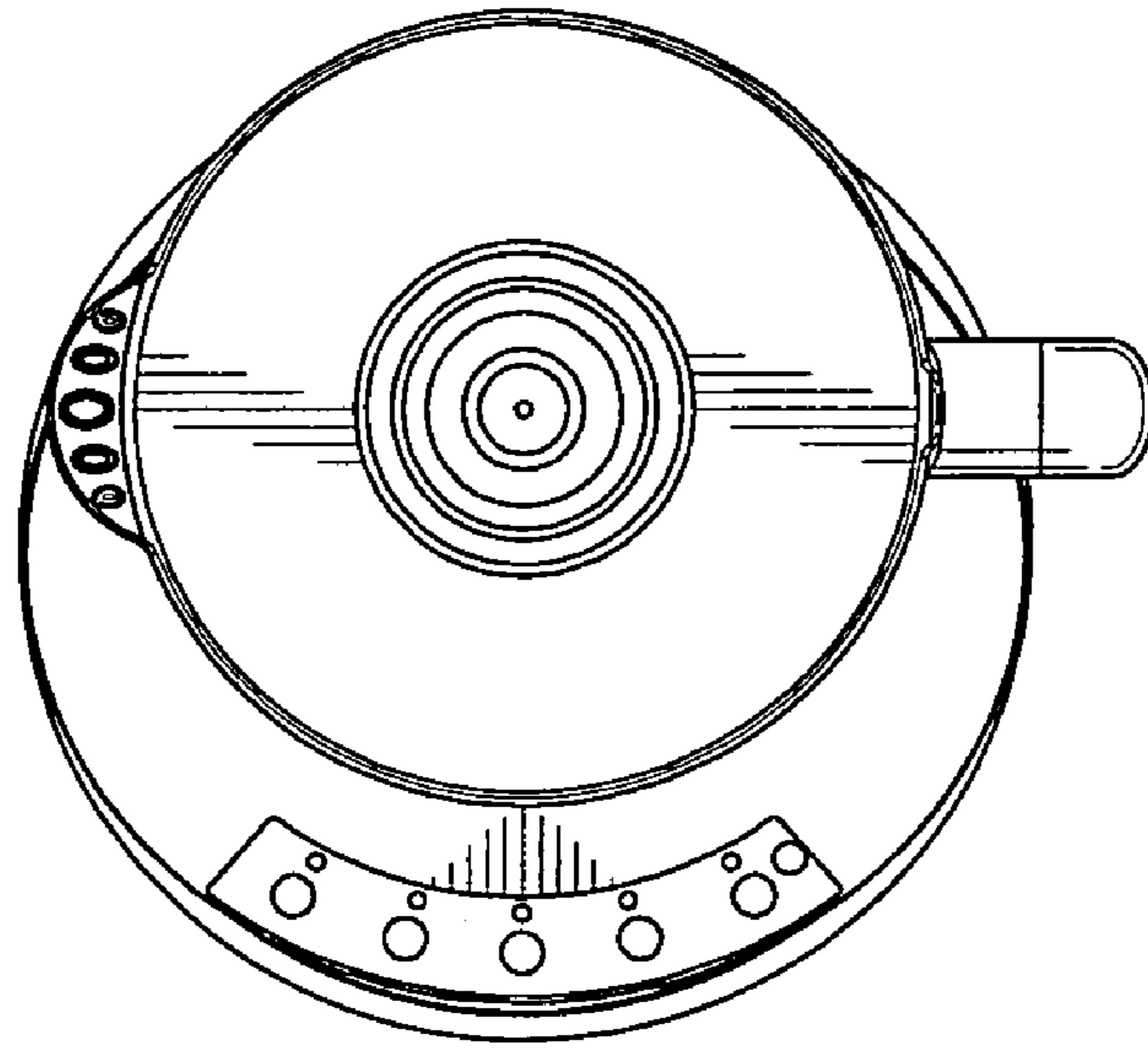


FIG. 6

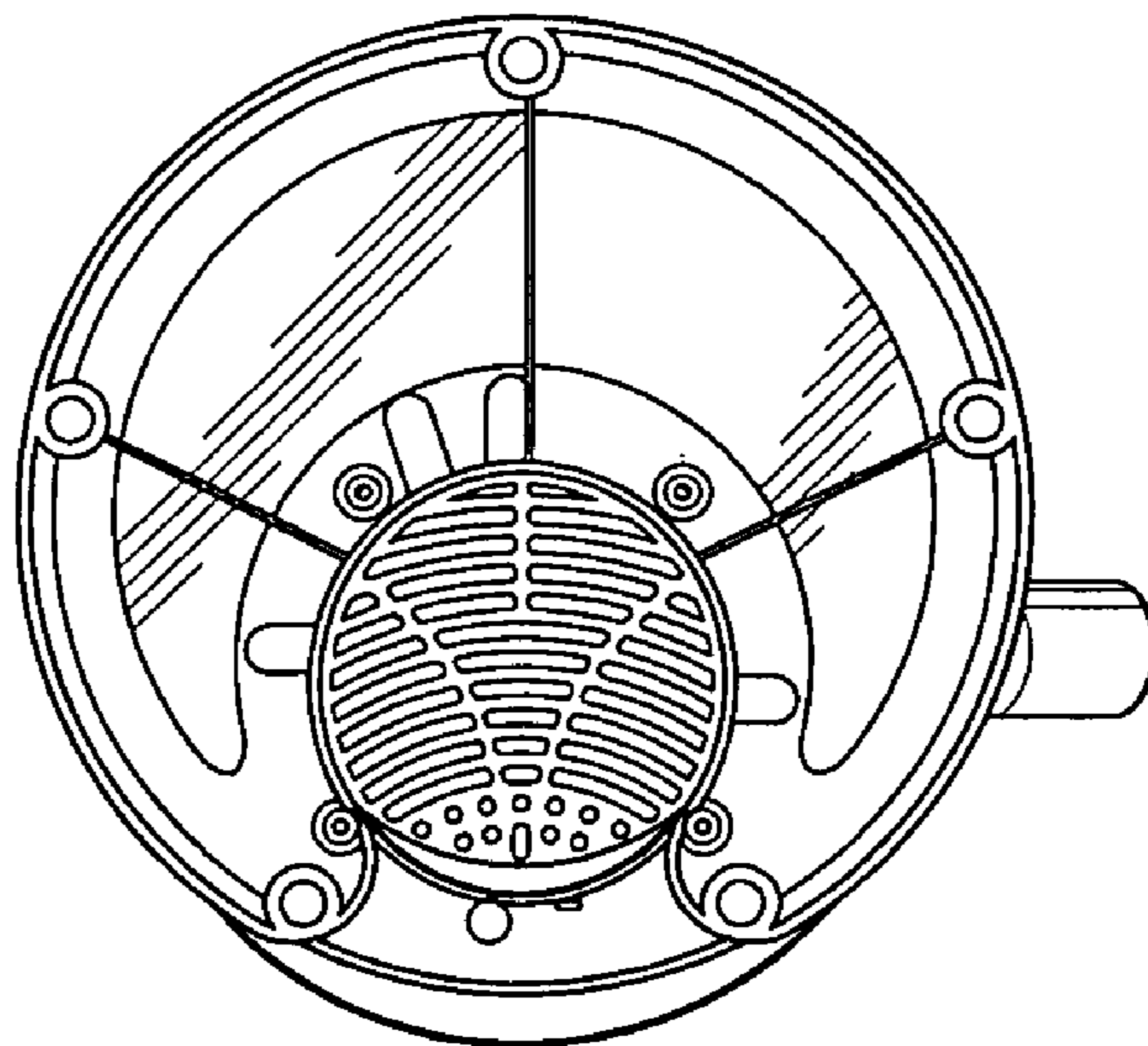


FIG. 7