



US00D623906S

(12) **United States Design Patent**
George

(10) **Patent No.:** **US D623,906 S**

(45) **Date of Patent:** **** Sep. 21, 2010**

(54) **FOOD CONTAINER**

(75) **Inventor:** **Sarah Danger George**, Seattle, WA
(US)

(73) **Assignee:** **Pacific Market International, LLC**,
Seattle, WA (US)

(**) **Term:** **14 Years**

(21) **Appl. No.:** **29/319,051**

(22) **Filed:** **Jun. 3, 2008**

(51) **LOC (9) Cl.** **07-07**

(52) **U.S. Cl.** **D7/629**

(58) **Field of Classification Search** D7/602,
D7/629, 533, 536, 510; 220/780-806, 574-575
See application file for complete search history.

(56) **References Cited**

U.S. PATENT DOCUMENTS

D317,696 S *	6/1991	Lage	D7/536
D527,222 S *	8/2006	Liu	D7/510
D562,072 S *	2/2008	Wahl	D7/510

* cited by examiner

Primary Examiner—Terry A Wallace
(74) *Attorney, Agent, or Firm*—Davis Wright Tremaine LLP;
George C. Rondeau, Jr.

(57) **CLAIM**

The ornamental design for a food container, as shown and described.

DESCRIPTION

FIG. 1 is a top, front perspective view of a food container showing my new design.

FIG. 2 is a front elevation view thereof.

FIG. 3 is a rear elevation view thereof.

FIG. 4 is a right side view thereof.

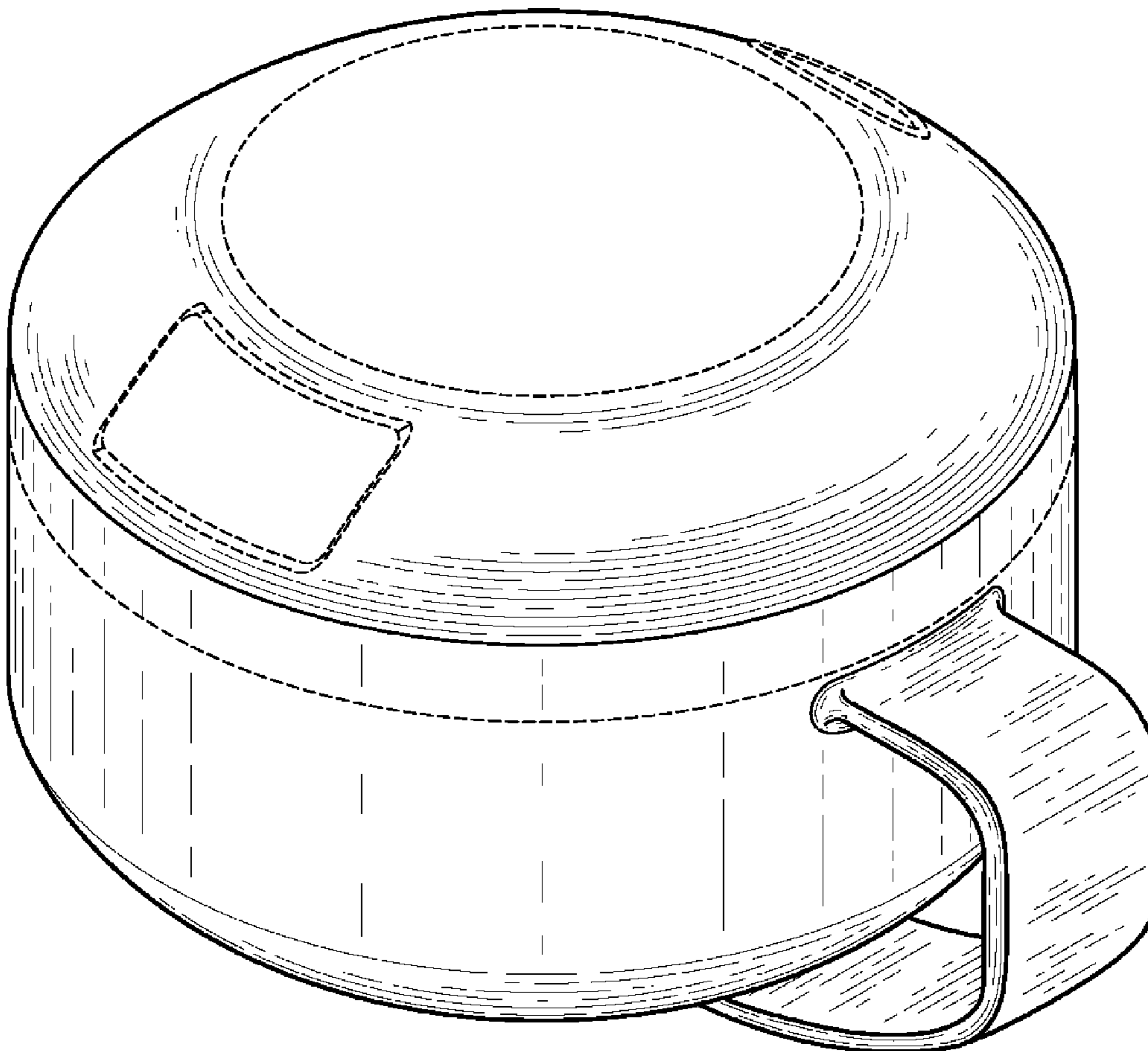
FIG. 5 is a left side view thereof.

FIG. 6 is a top plan view thereof; and,

FIG. 7 is a bottom plan view thereof.

The broken lines are for illustrative purposes only and form no part of the claimed design.

1 Claim, 4 Drawing Sheets



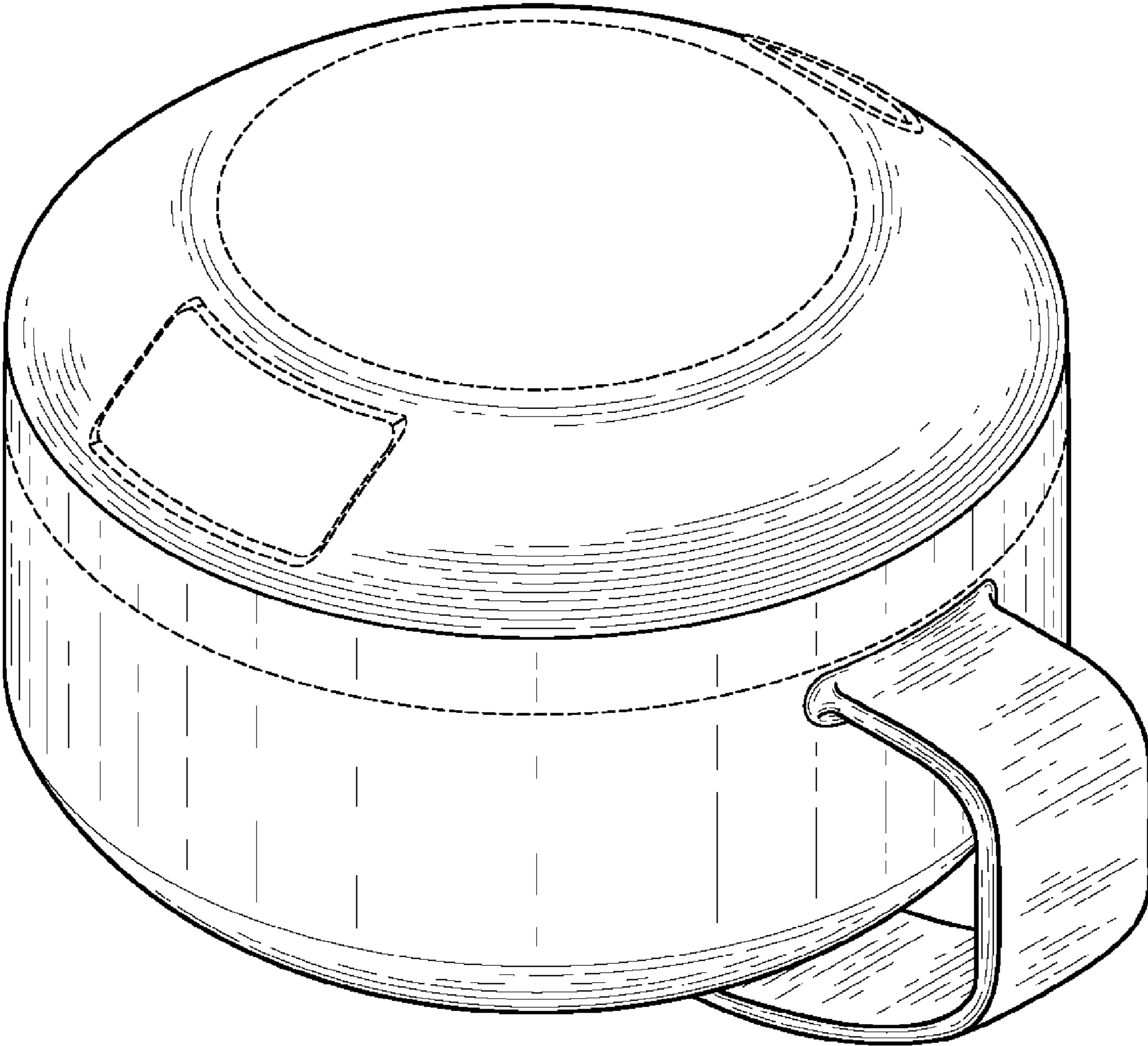


Fig. 1

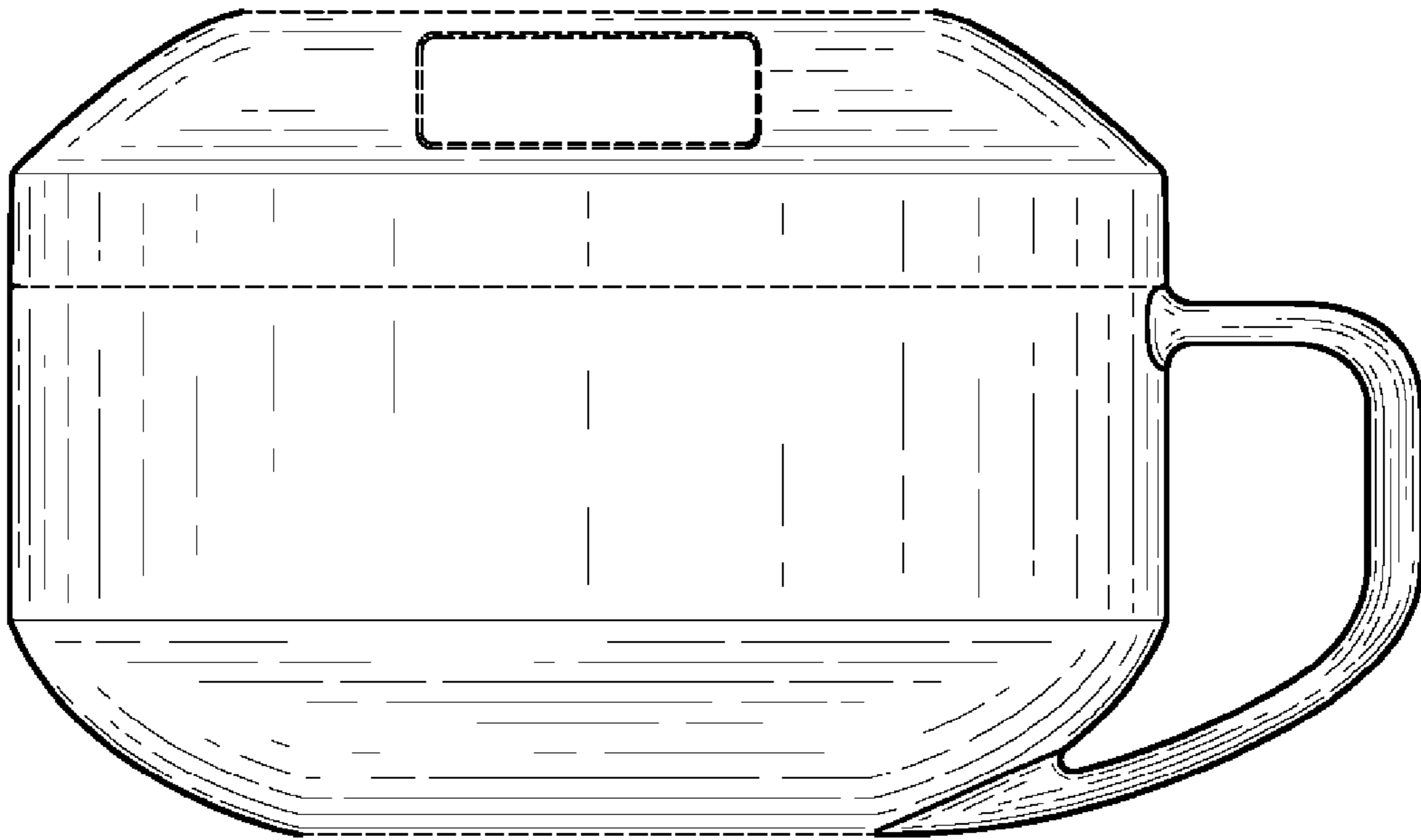


Fig. 2

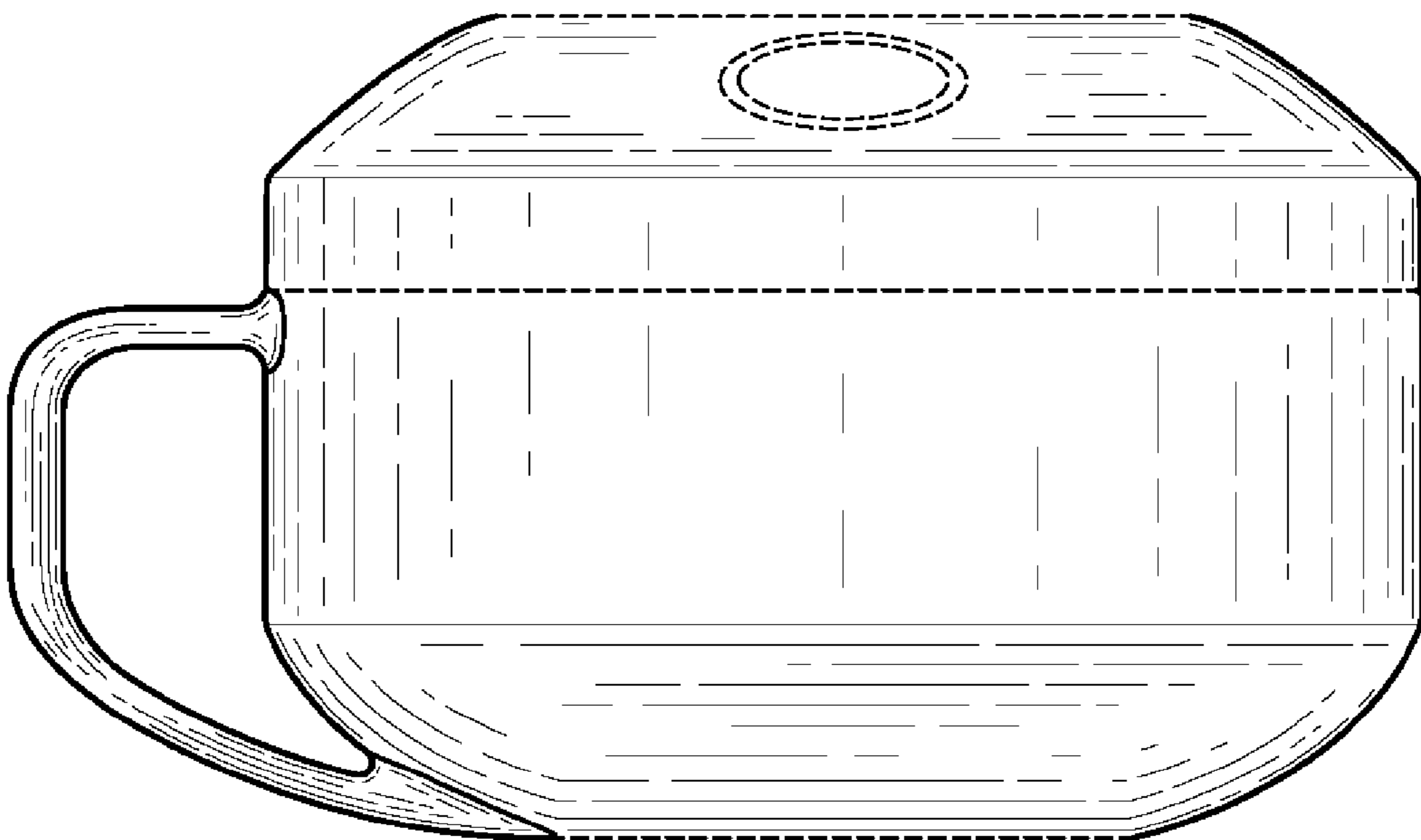


Fig. 3

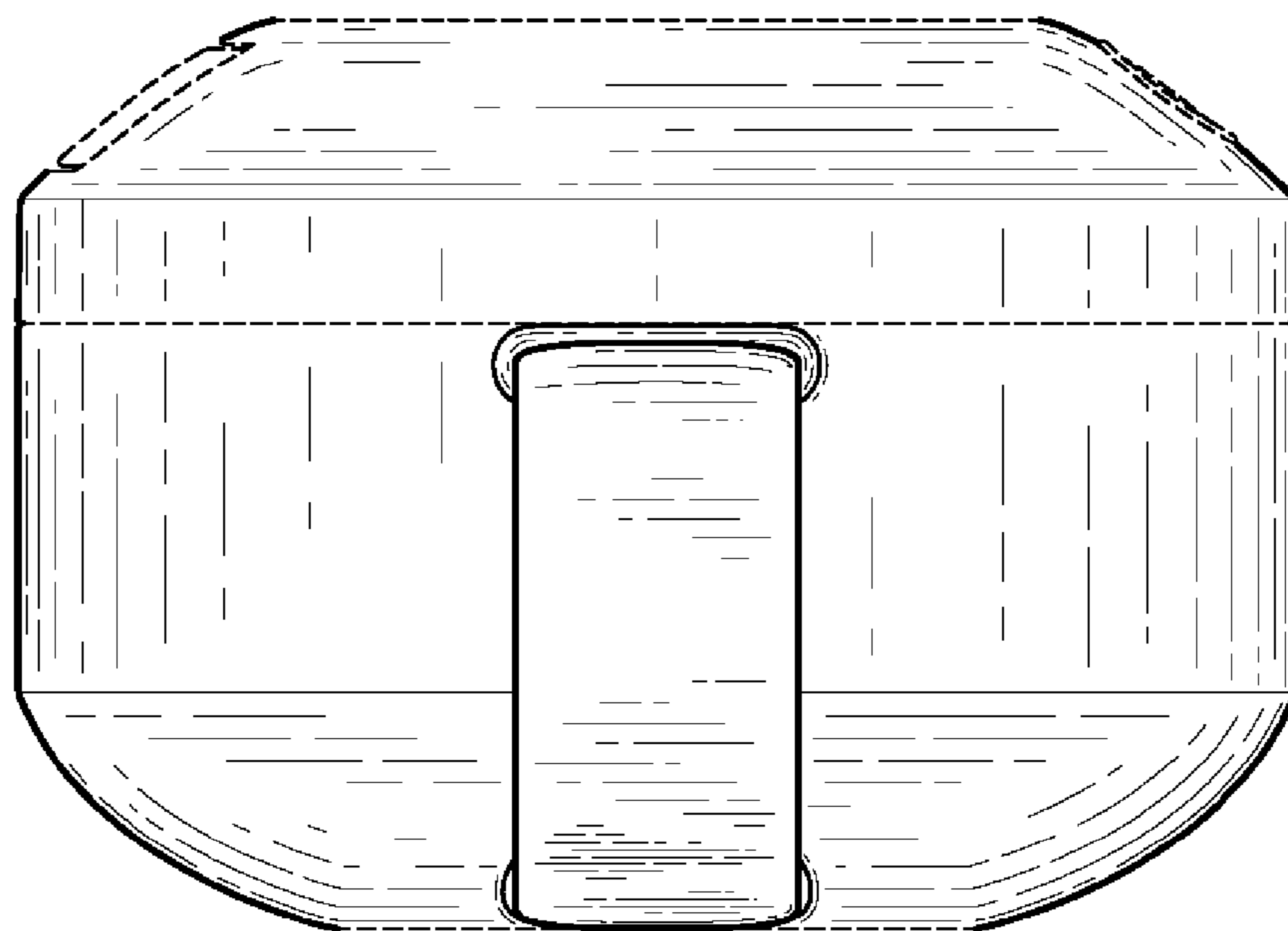


Fig. 4

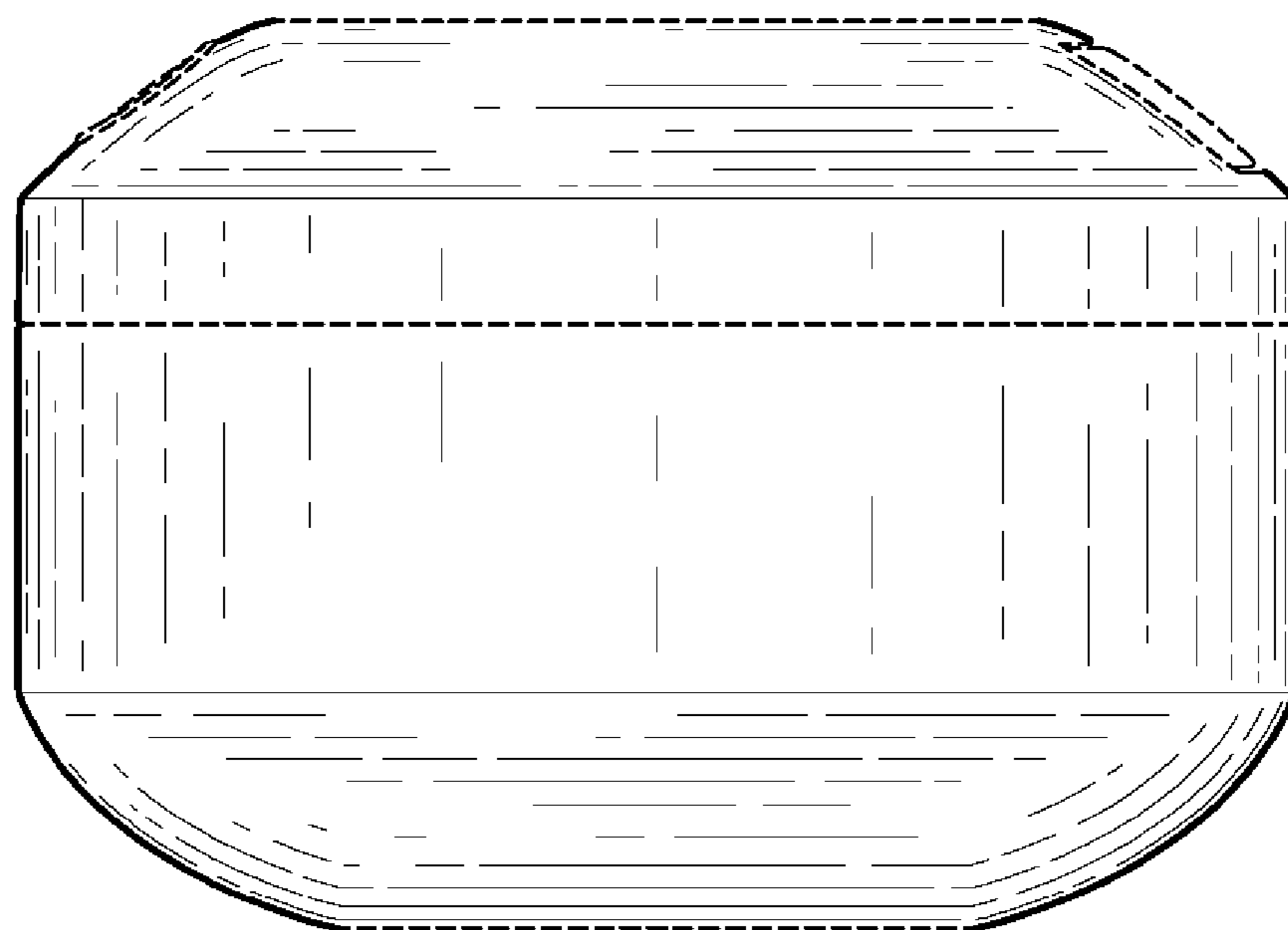


Fig. 5

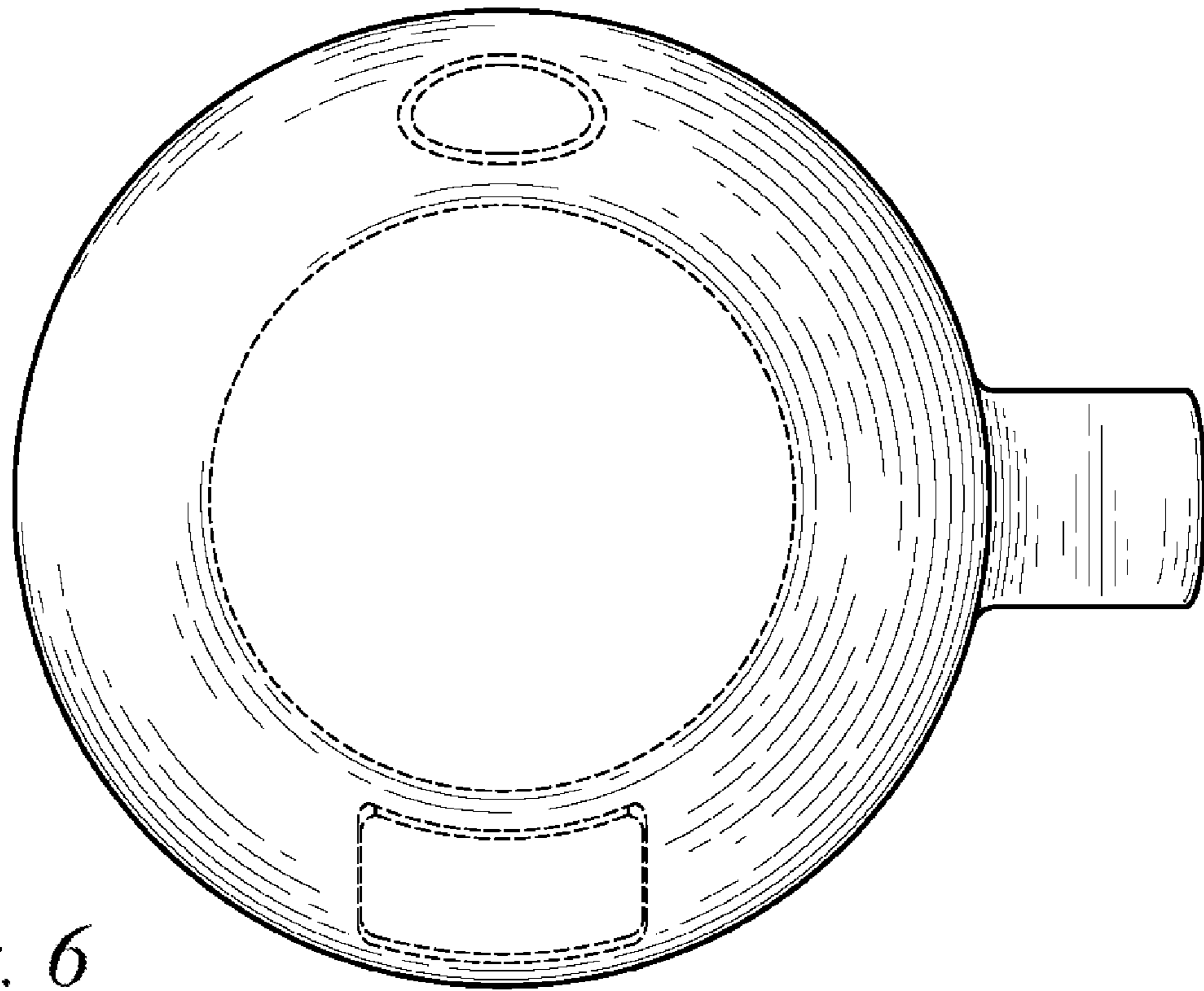


Fig. 6

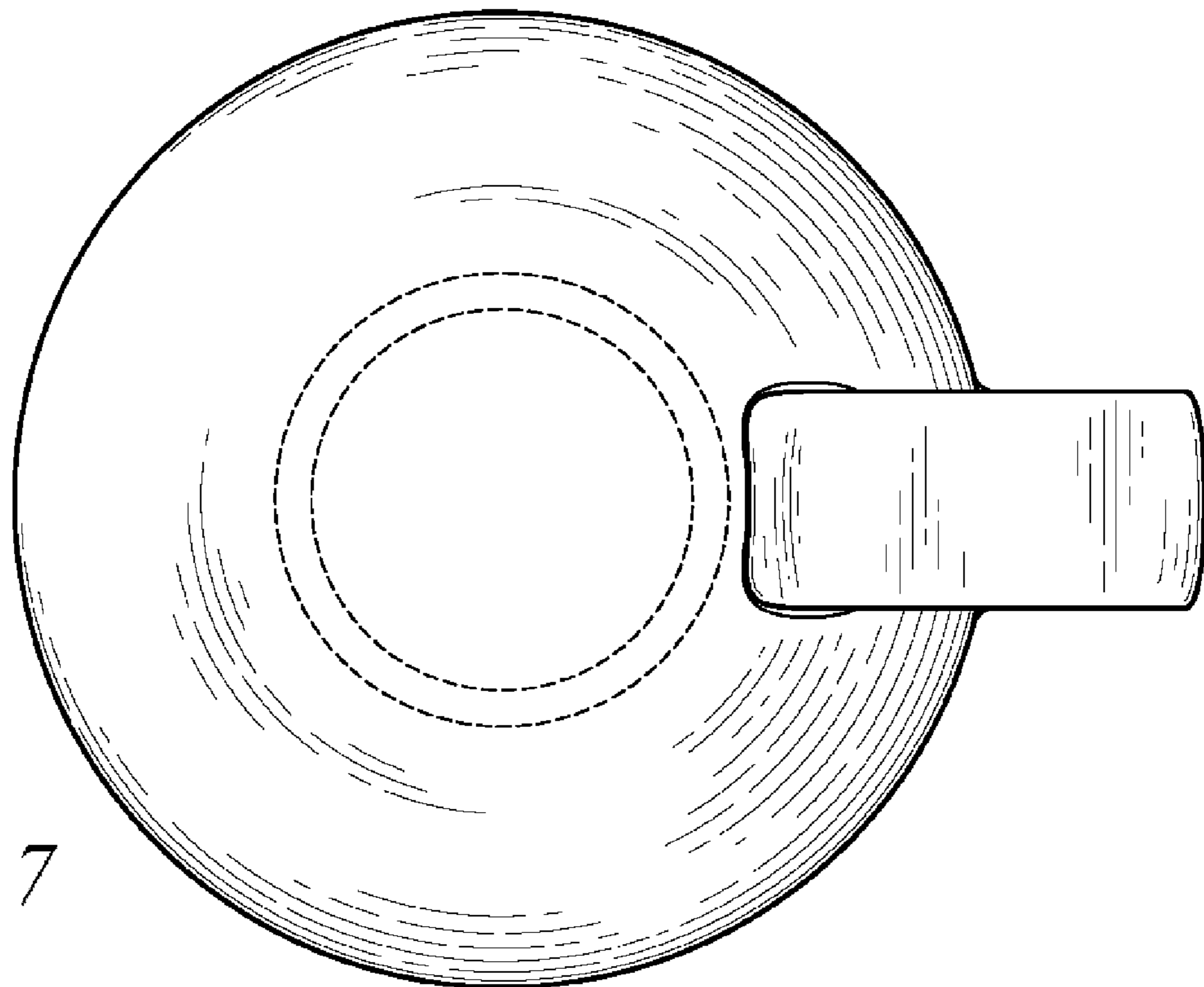


Fig. 7