



US00D623905S

(12) **United States Design Patent**
Paslawski

(10) **Patent No.:** **US D623,905 S**

(45) **Date of Patent:** **** Sep. 21, 2010**

(54) **CAN COOZIE**

(75) Inventor: **Ray N. Paslawski**, Wildwood, MO (US)

(73) Assignee: **Positive Outcomes, Inc.**, Wildwood, MO (US)

(**) Term: **14 Years**

(21) Appl. No.: **29/352,316**

(22) Filed: **Dec. 18, 2009**

(51) **LOC (9) Cl.** **07-01**

(52) **U.S. Cl.** **D7/625; D7/606**

(58) **Field of Classification Search** D7/603–608,
D7/619.1–625, 509–511, 514; 206/217;
215/12.1, 12.2, 13.1; 428/11, 542.4; 220/902,
220/903, 737, 739; D21/712; 473/569–615
See application file for complete search history.

(56) **References Cited**

U.S. PATENT DOCUMENTS

4,164,284	A	*	8/1979	Witt et al.	215/13.1
D351,971	S	*	11/1994	Cappola	D7/625
D371,934	S	*	7/1996	Cwirko	D7/515
D411,715	S	*	6/1999	Hansen	D7/606
D425,757	S	*	5/2000	Printz et al.	D7/510
D433,880	S	*	11/2000	Herrera	D7/625
D442,833	S	*	5/2001	Shuman	D7/608
D452,120	S	*	12/2001	Brangle et al.	D7/606

D511,212	S	*	11/2005	Whalen	D7/606
D517,869	S	*	3/2006	Graves et al.	D7/612
D541,111	S	*	4/2007	Morgan et al.	D7/625

* cited by examiner

Primary Examiner—Terry A Wallace

(57) **CLAIM**

The ornamental design for a can coozie, as shown and described.

DESCRIPTION

FIG. 1 is a perspective view of a can coozie according to an embodiment of the present invention;

FIG. 2 is a top view of a can coozie according to an embodiment of the present invention;

FIG. 3 is a bottom view of a can coozie according to an embodiment of the present invention;

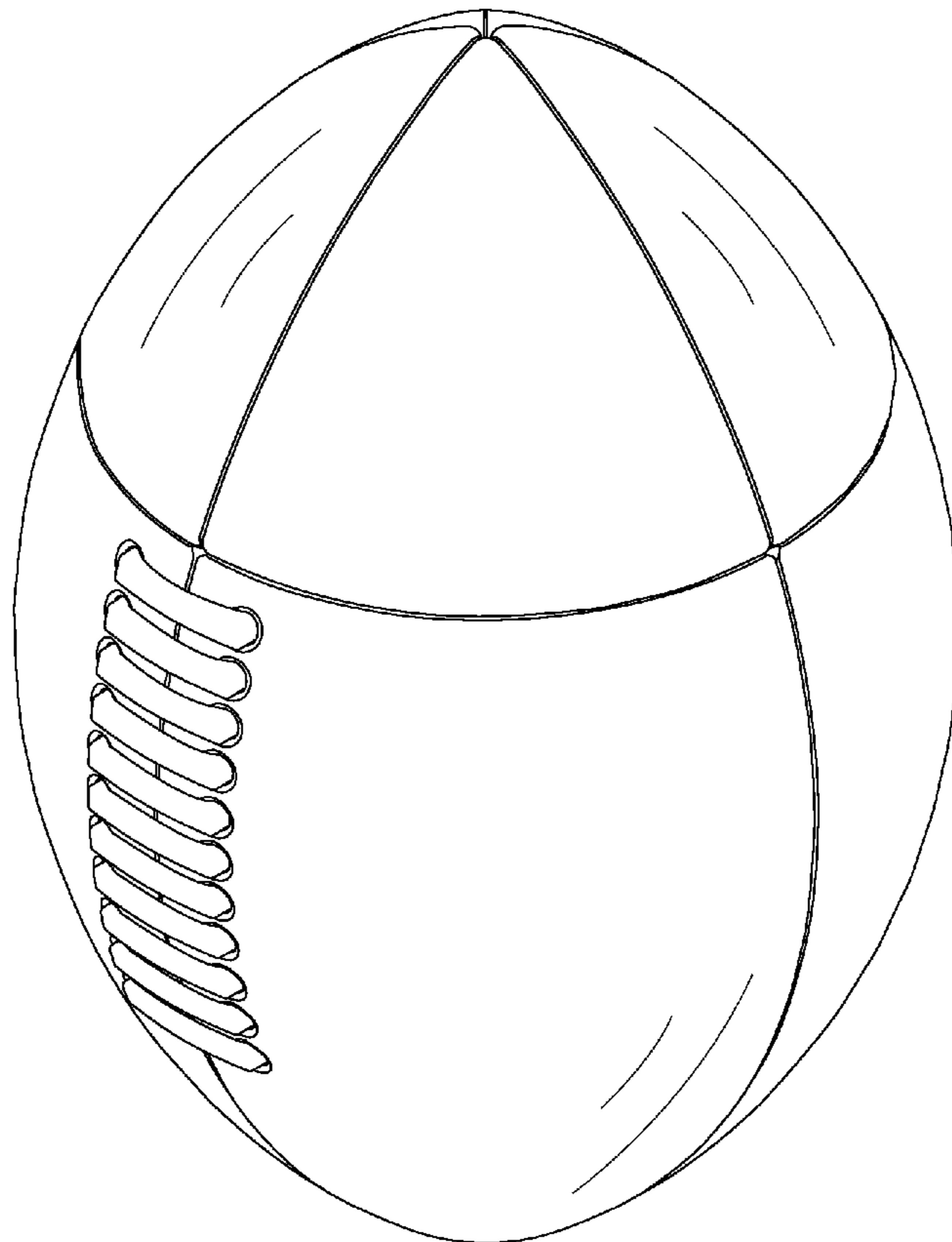
FIG. 4 is a front side view of a can coozie according to an embodiment of the present invention;

FIG. 5 is a rear side view of a can coozie according to an embodiment of the present invention;

FIG. 6 is a left side view of a can coozie according to an embodiment of the present invention; and,

FIG. 7 is a right side view of a can coozie according to an embodiment of the present invention.

1 Claim, 7 Drawing Sheets



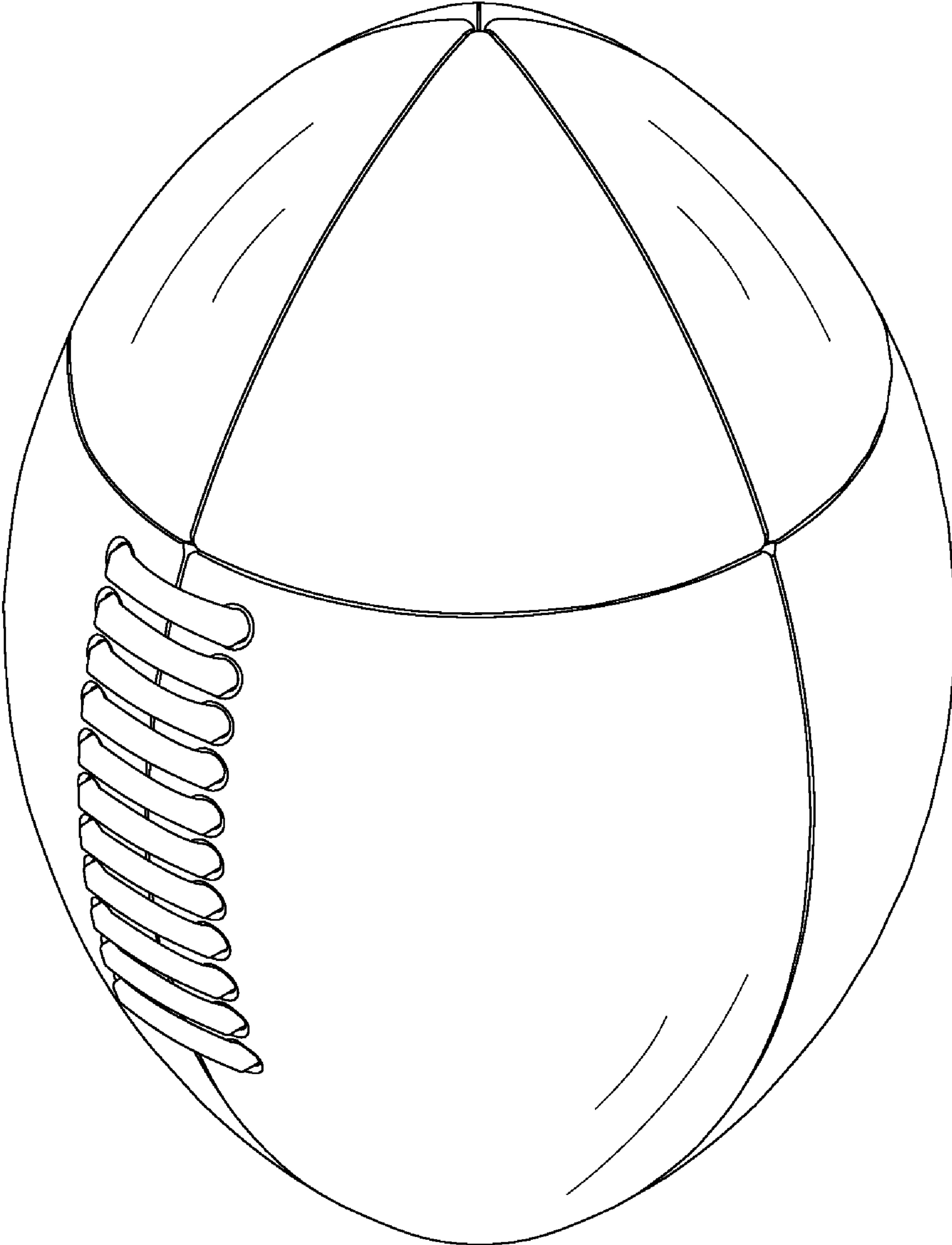


Fig 1

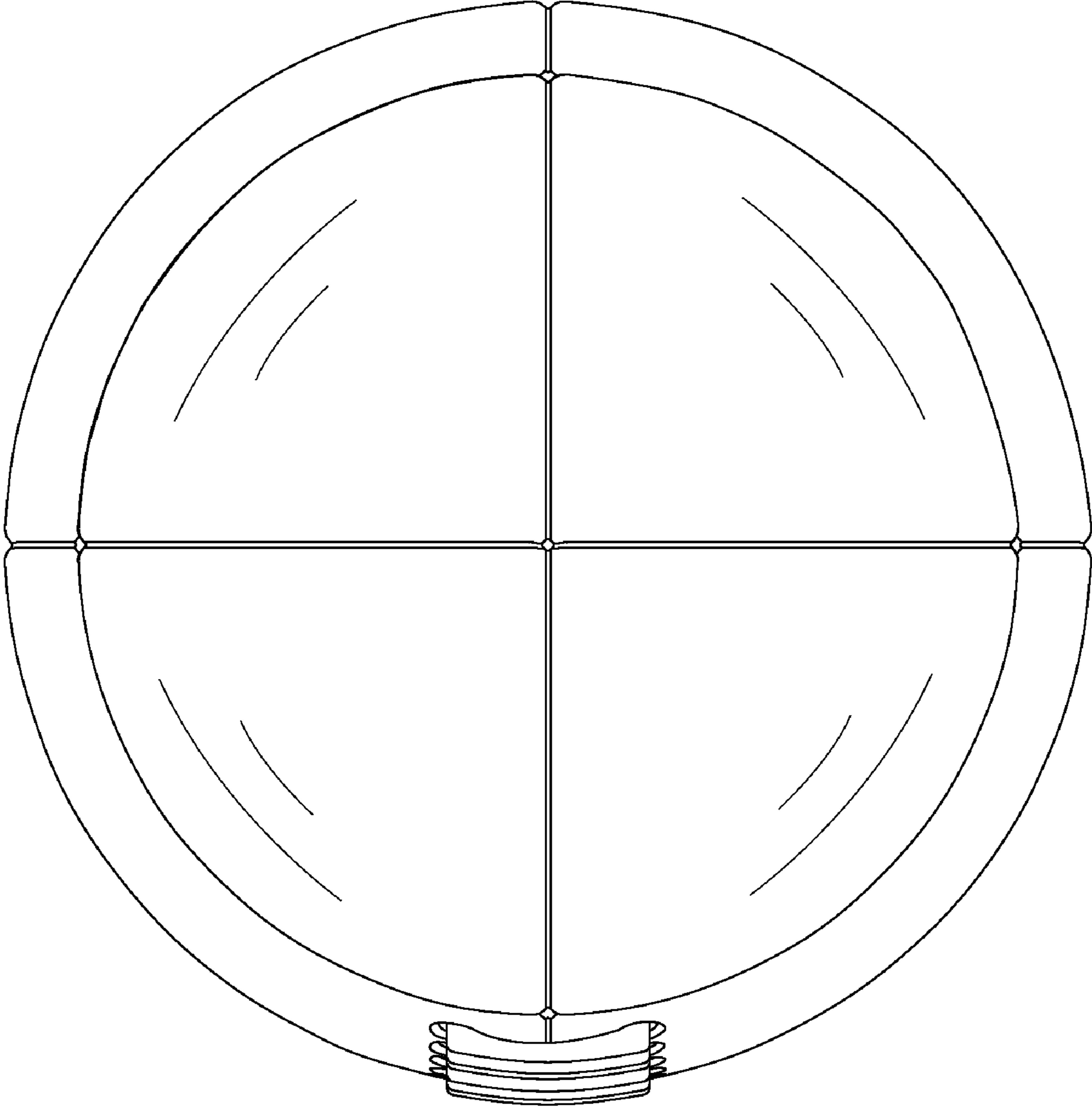


Fig 2

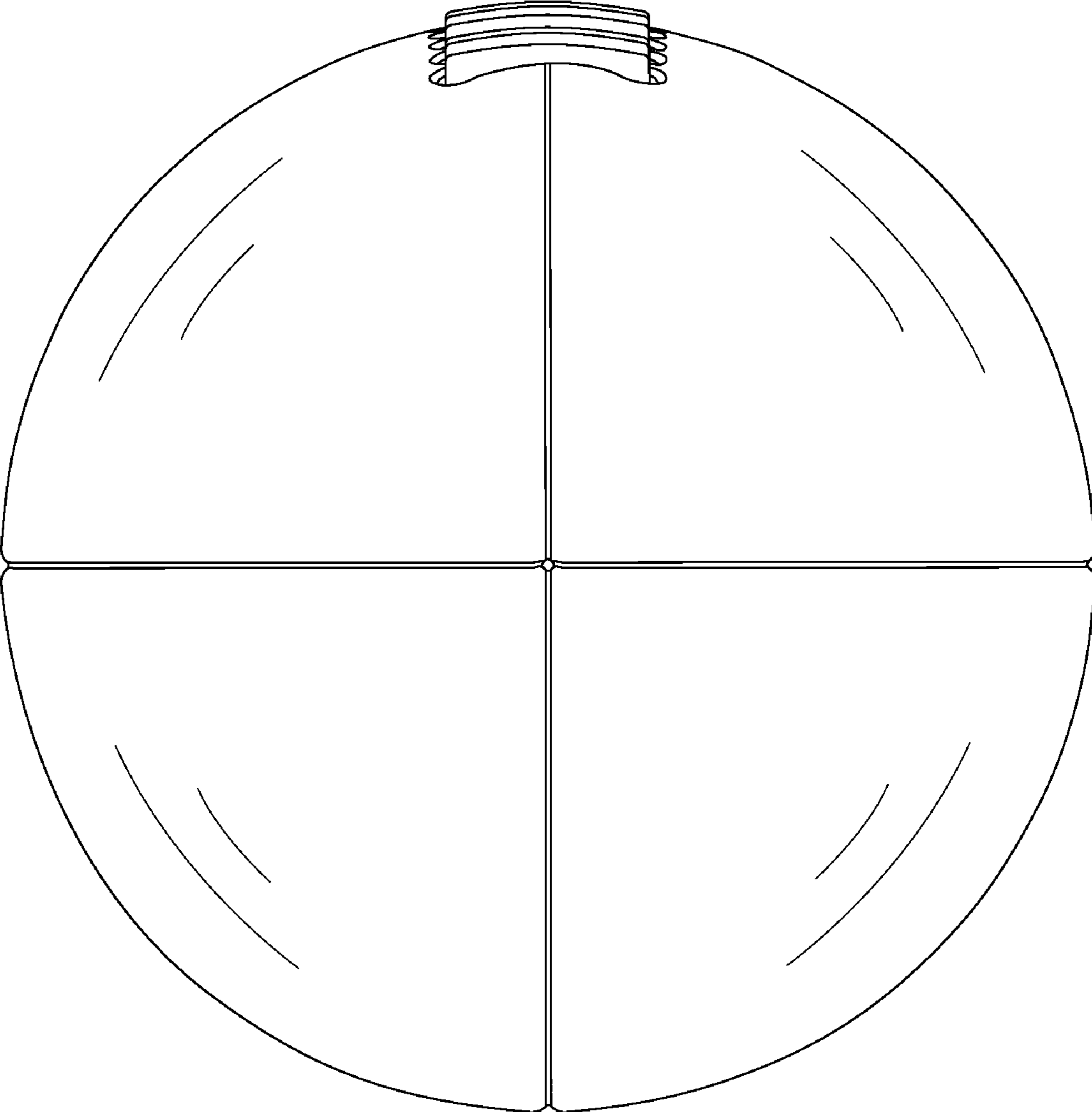


Fig 3

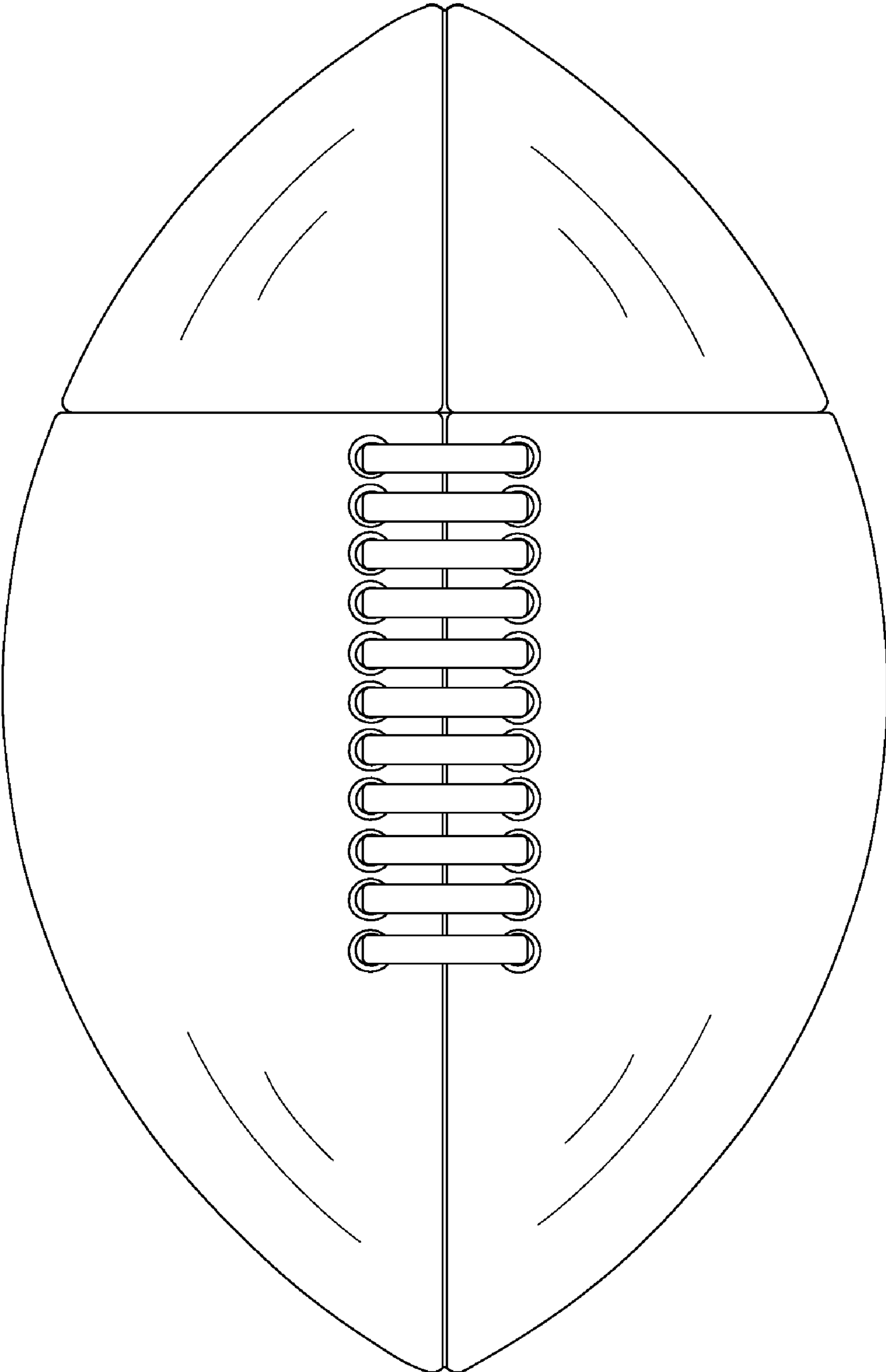


Fig 4

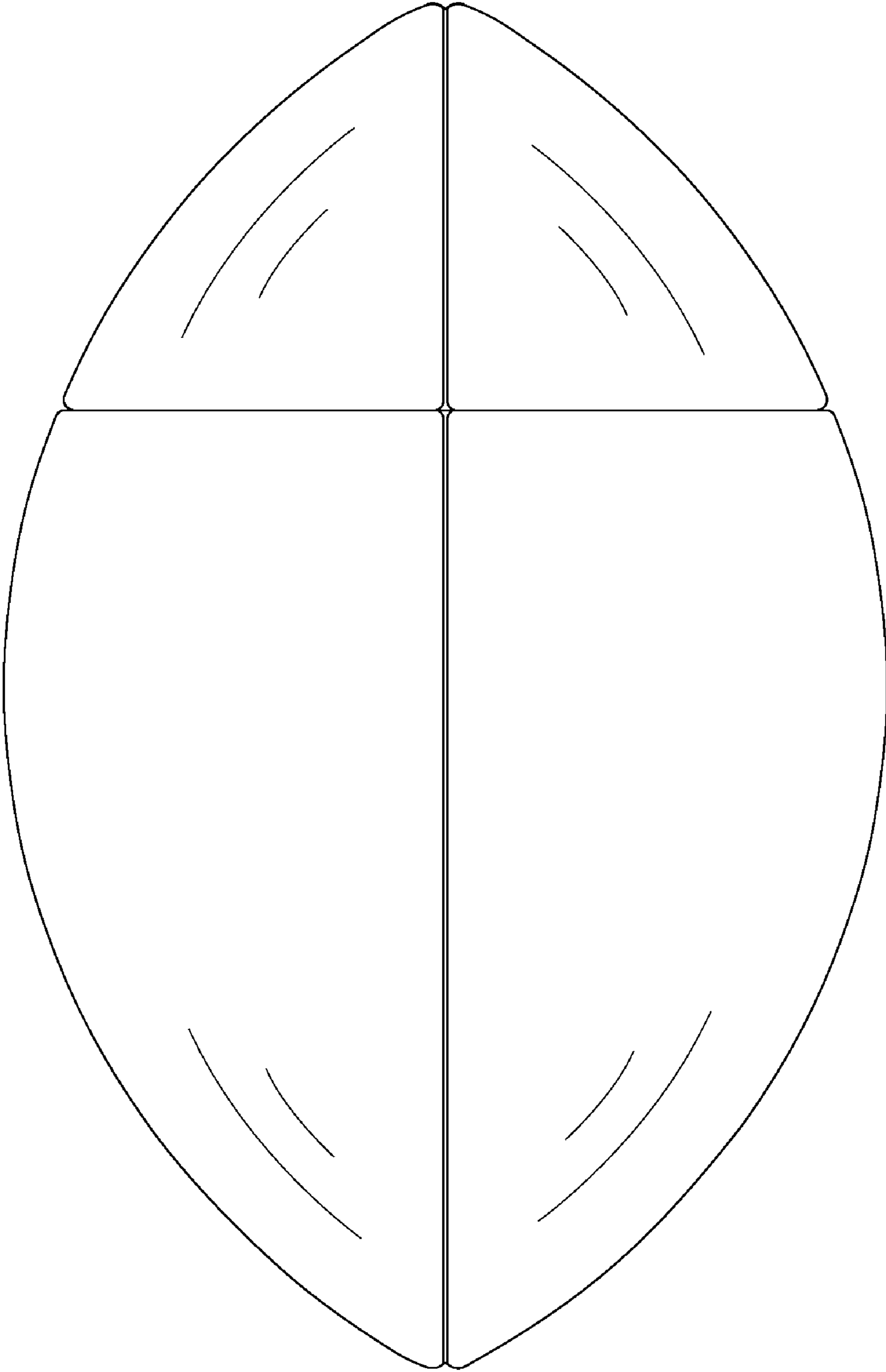


Fig 5

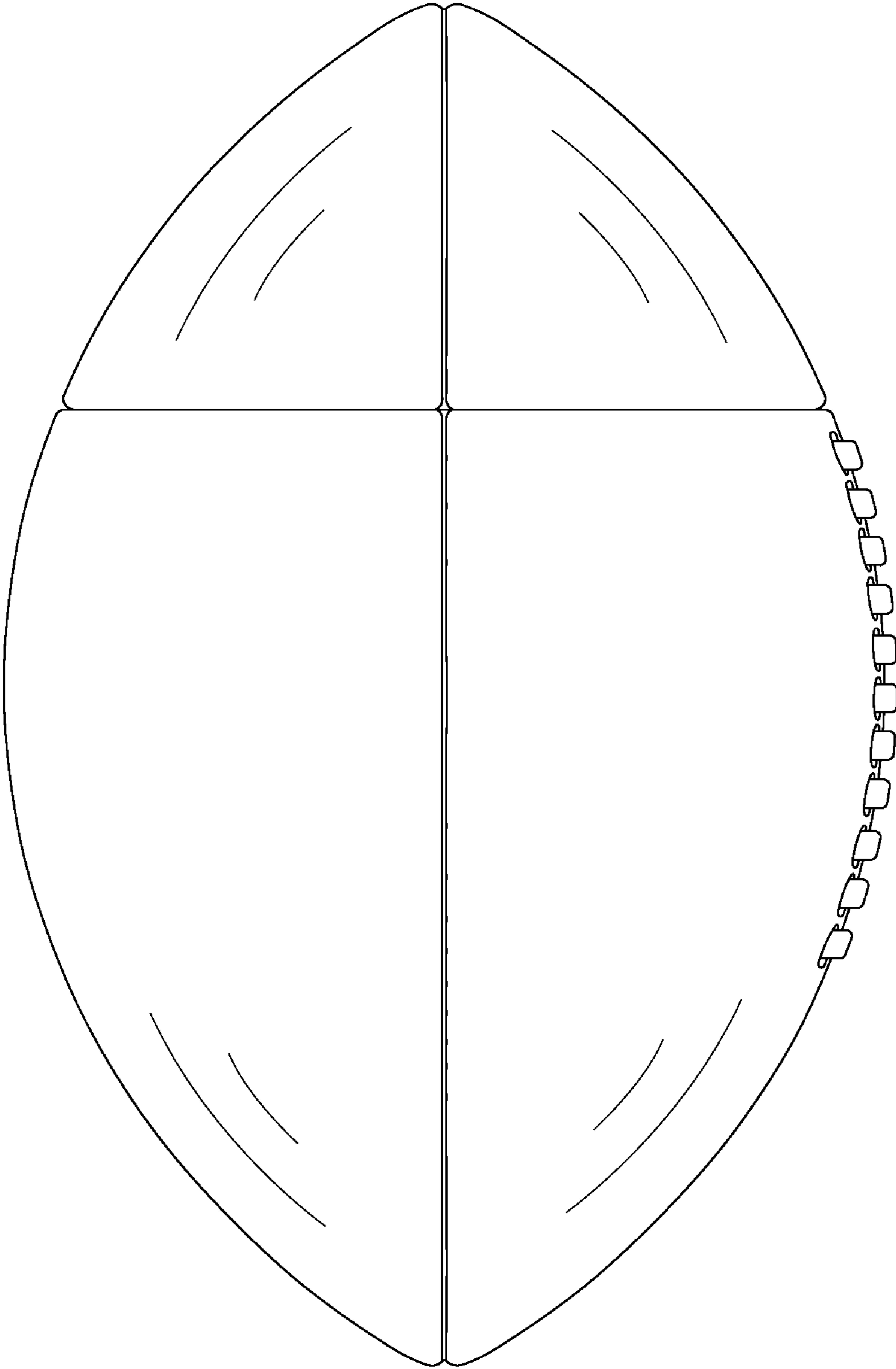


Fig 6

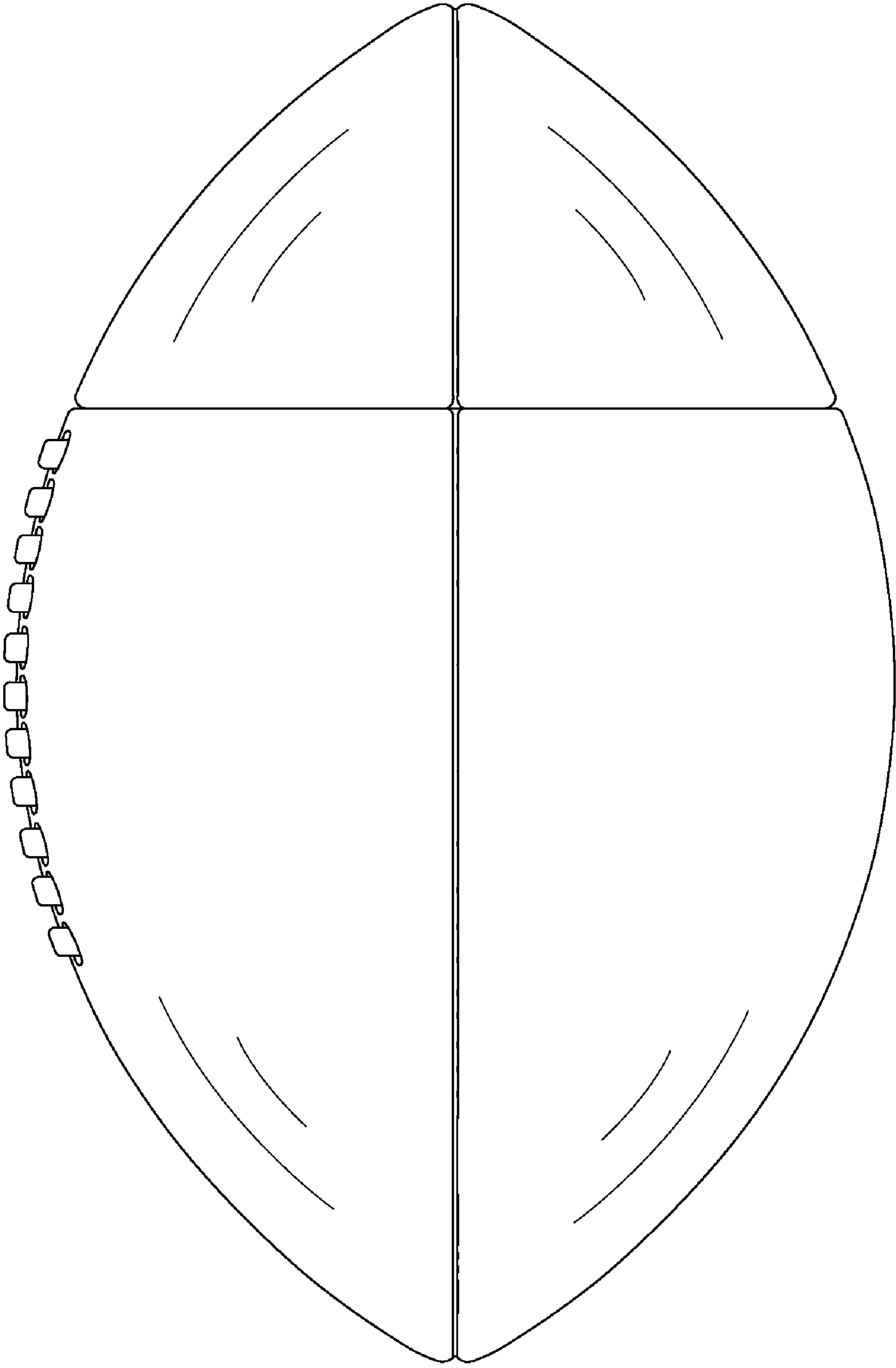


Fig 7