



US00D623903S

(12) **United States Design Patent**  
**Heinze**

(10) **Patent No.:** **US D623,903 S**

(45) **Date of Patent:** **\*\* Sep. 21, 2010**

(54) **LIQUID BUTTER DISPENSER**

(75) Inventor: **Karl Heinze**, West Chicago, IL (US)

(73) Assignee: **Prince Castle LLC**, Carol Stream, IL (US)

(\*\*) Term: **14 Years**

(21) Appl. No.: **29/362,303**

(22) Filed: **May 24, 2010**

(51) **LOC (9) Cl.** ..... **07-06**

(52) **U.S. Cl.** ..... **D7/589**

(58) **Field of Classification Search** ..... D7/589,  
D7/590; 222/137, 145.1, 145.3, 162, 324,  
222/341, 441, 448, 472, 514  
See application file for complete search history.

(56) **References Cited**

**U.S. PATENT DOCUMENTS**

3,260,419	A *	7/1966	Weimer et al.	.....	222/309
5,454,487	A *	10/1995	Vassiliou	.....	222/83.5
5,462,203	A *	10/1995	Stern	.....	222/137
5,645,195	A *	7/1997	Belshaw et al.	.....	222/153.09
5,934,573	A *	8/1999	Weterrings et al.	.....	239/650
D484,751	S *	1/2004	Veltrop et al.	.....	D7/590

**OTHER PUBLICATIONS**

406-AN Narrow Ketchup Dispenser Specification, Prince Castle, LLC.

406-A Dual Ketchup Dispenser Specification, Prince Castle, LLC.; publication date Aug. 2004.

398-CN Mustard Dispenser Specification, Prince Castle, LLC.

\* cited by examiner

*Primary Examiner*—Terry A Wallace

(74) *Attorney, Agent, or Firm*—Kelly & Krause, L.P.; Joseph P. Krause

(57) **CLAIM**

The ornamental design for a liquid butter dispenser, as shown and described.

**DESCRIPTION**

FIG. 1 is a front perspective view of a liquid butter dispenser, showing my new design;

FIG. 2 is a rear perspective view thereof;

FIG. 3 is a top view thereof;

FIG. 4 is an end view thereof;

FIG. 5 is a right side view thereof;

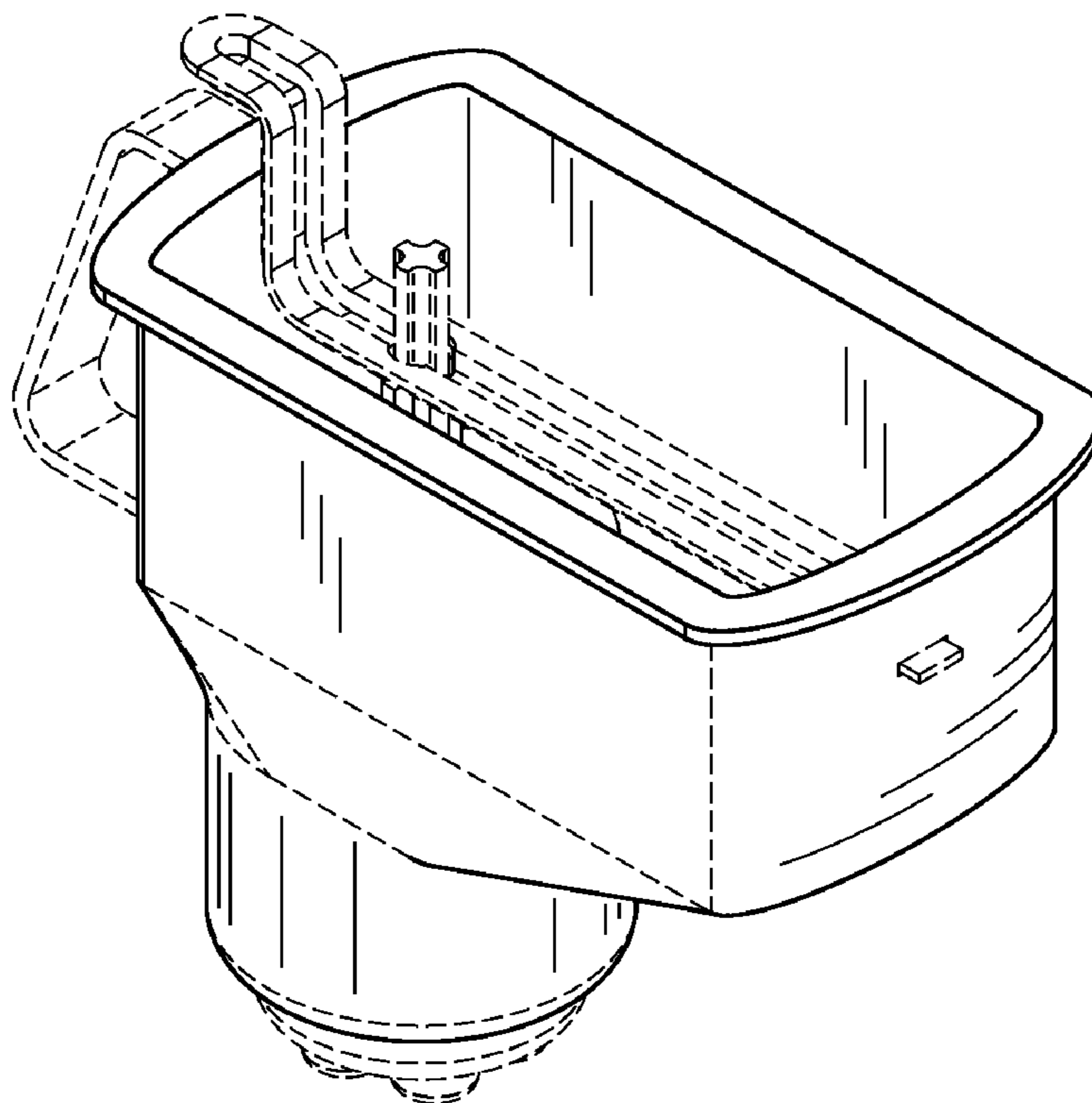
FIG. 6 is a front view thereof;

FIG. 7 is a left side view thereof; and,

FIG. 8 is a bottom view thereof.

The broken lines represent unclaimed boundaries of the design. The vertical shading lines are for illustrative purposes only and form no part of the claimed design.

**1 Claim, 3 Drawing Sheets**



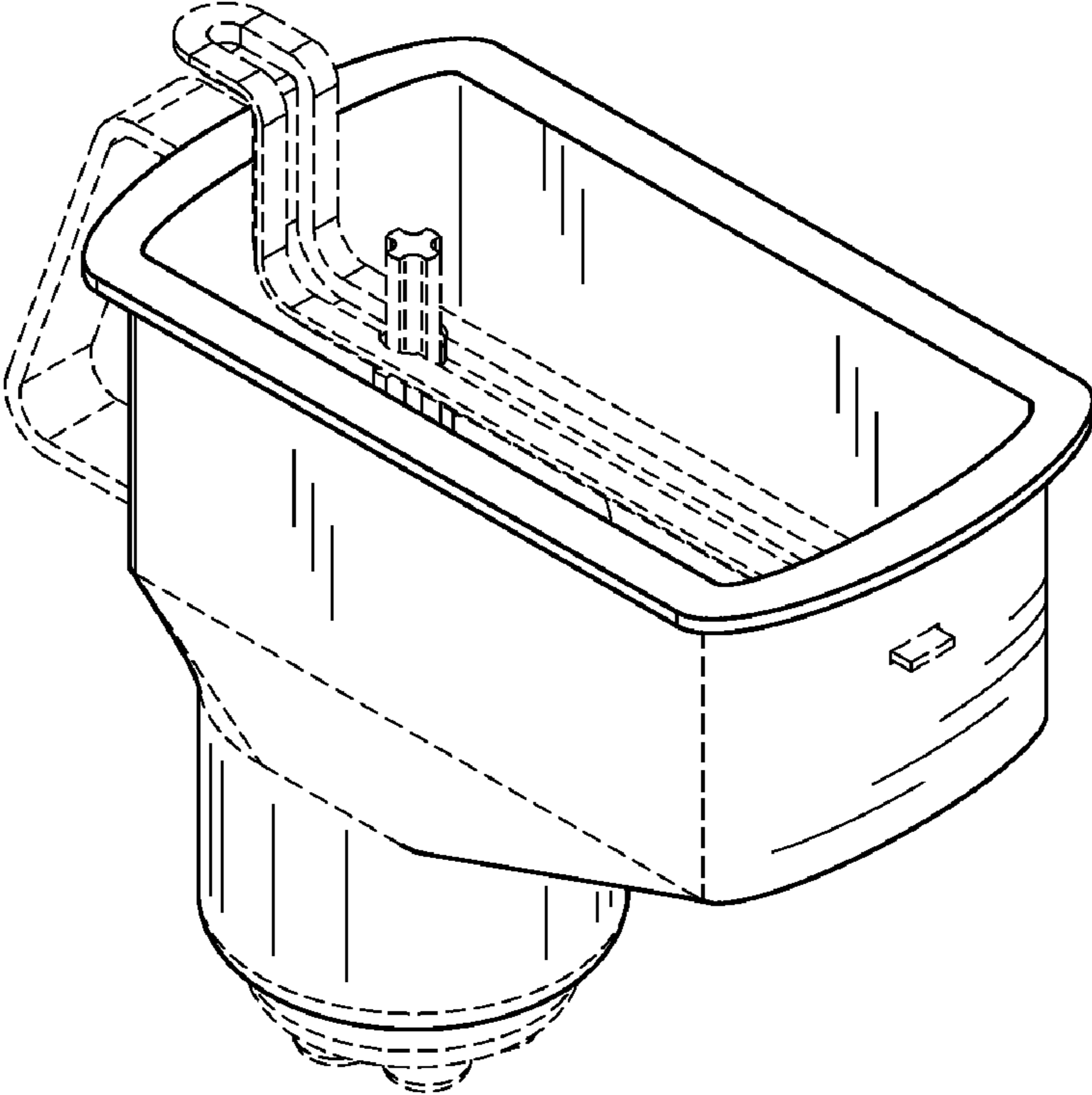


FIG. 1

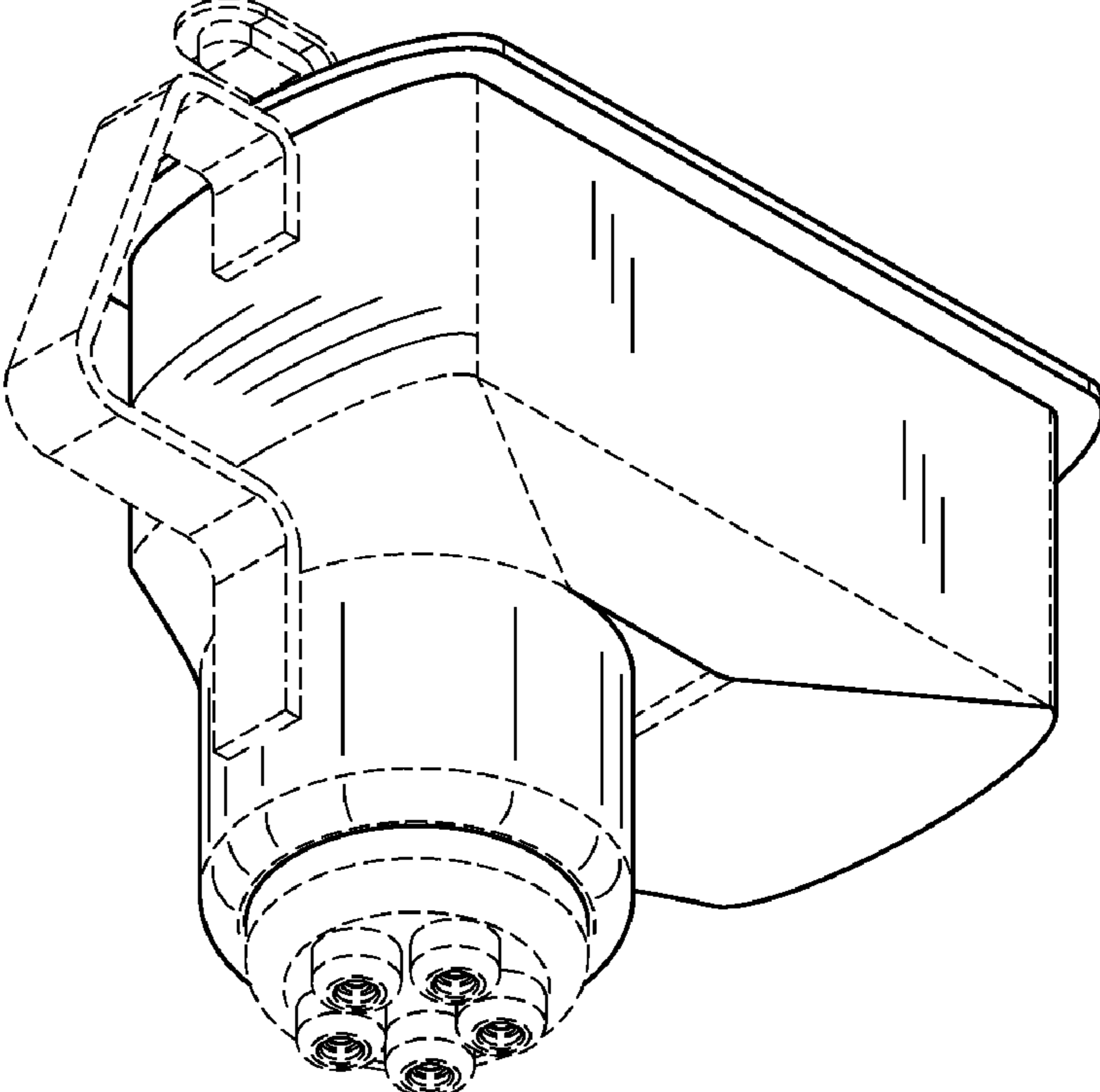


FIG. 2

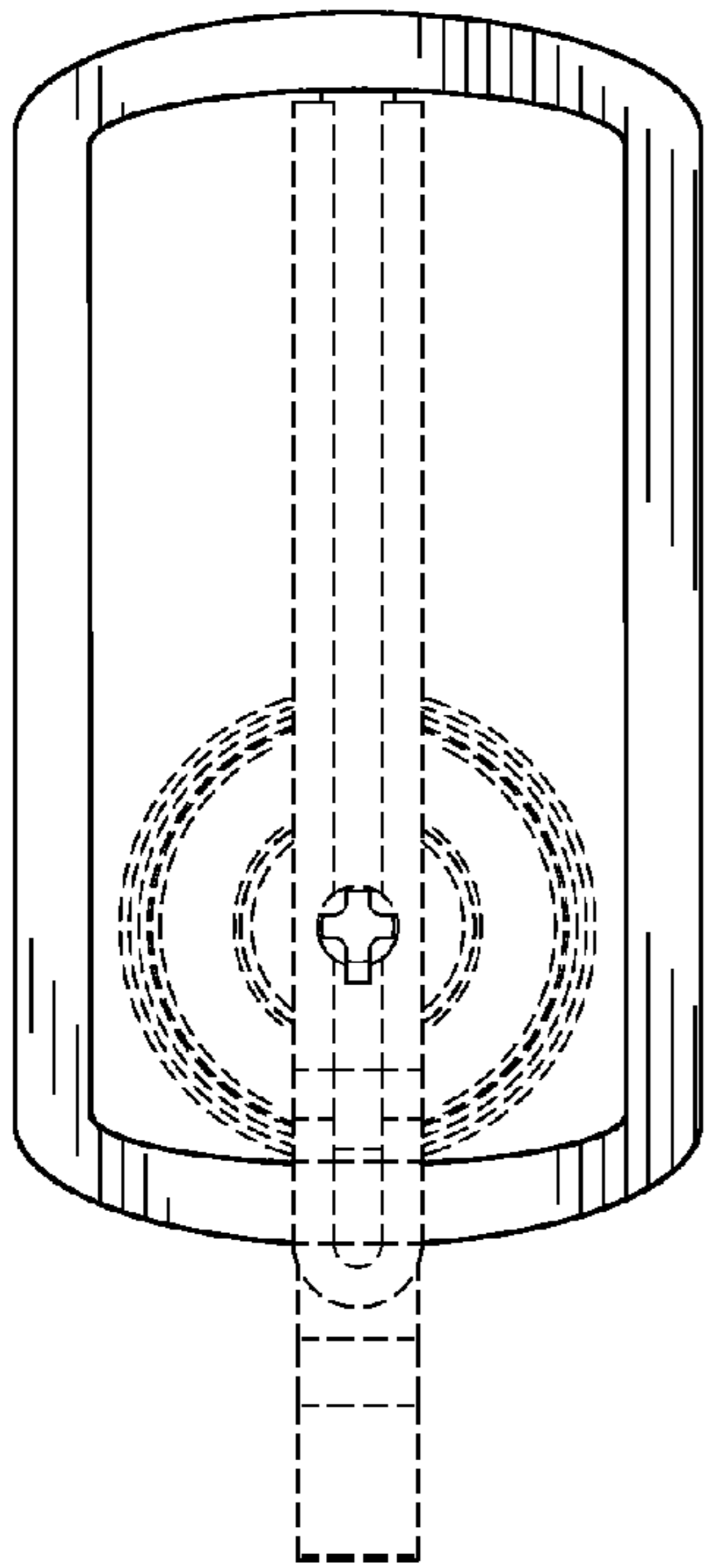


FIG. 3

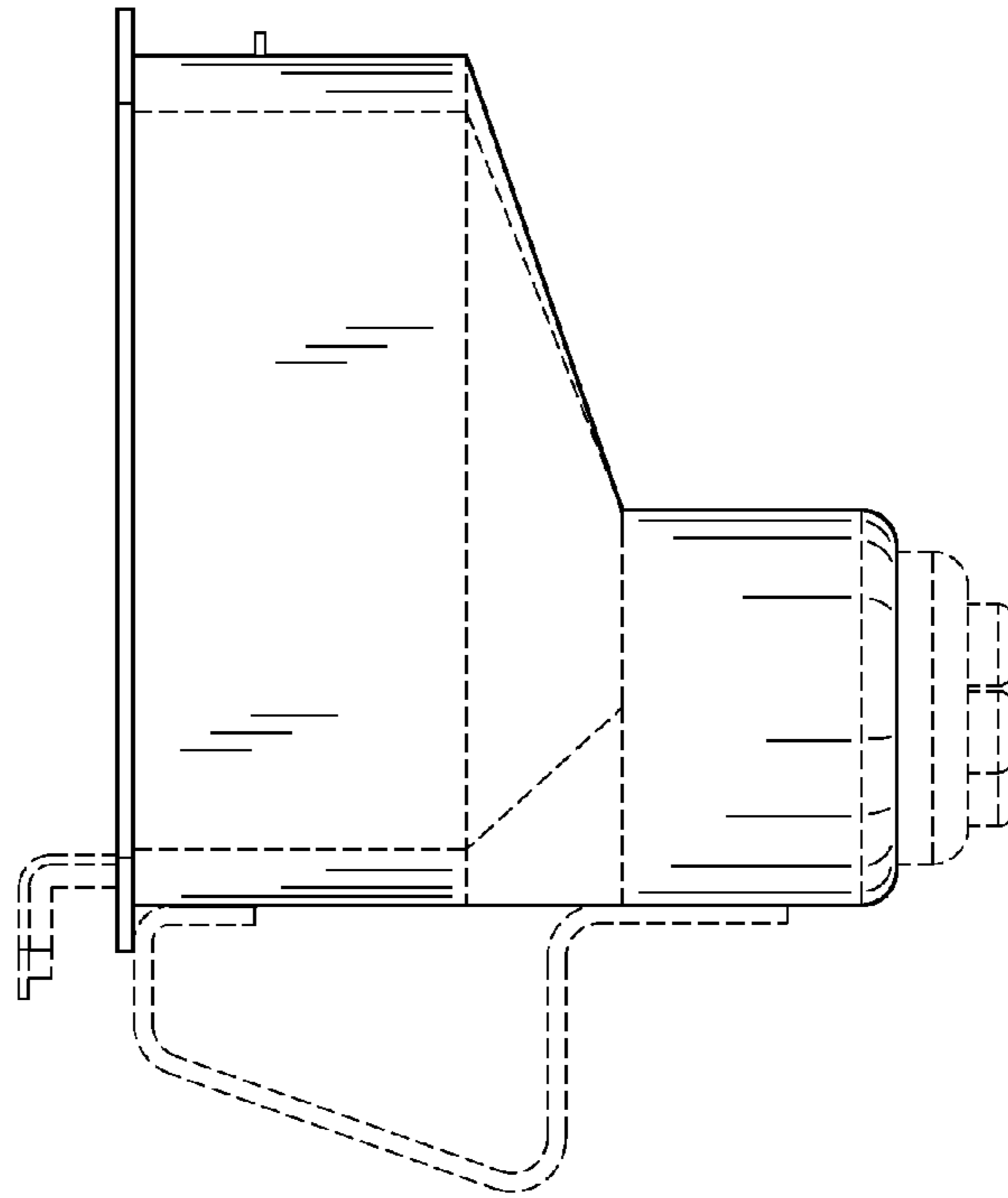


FIG. 5

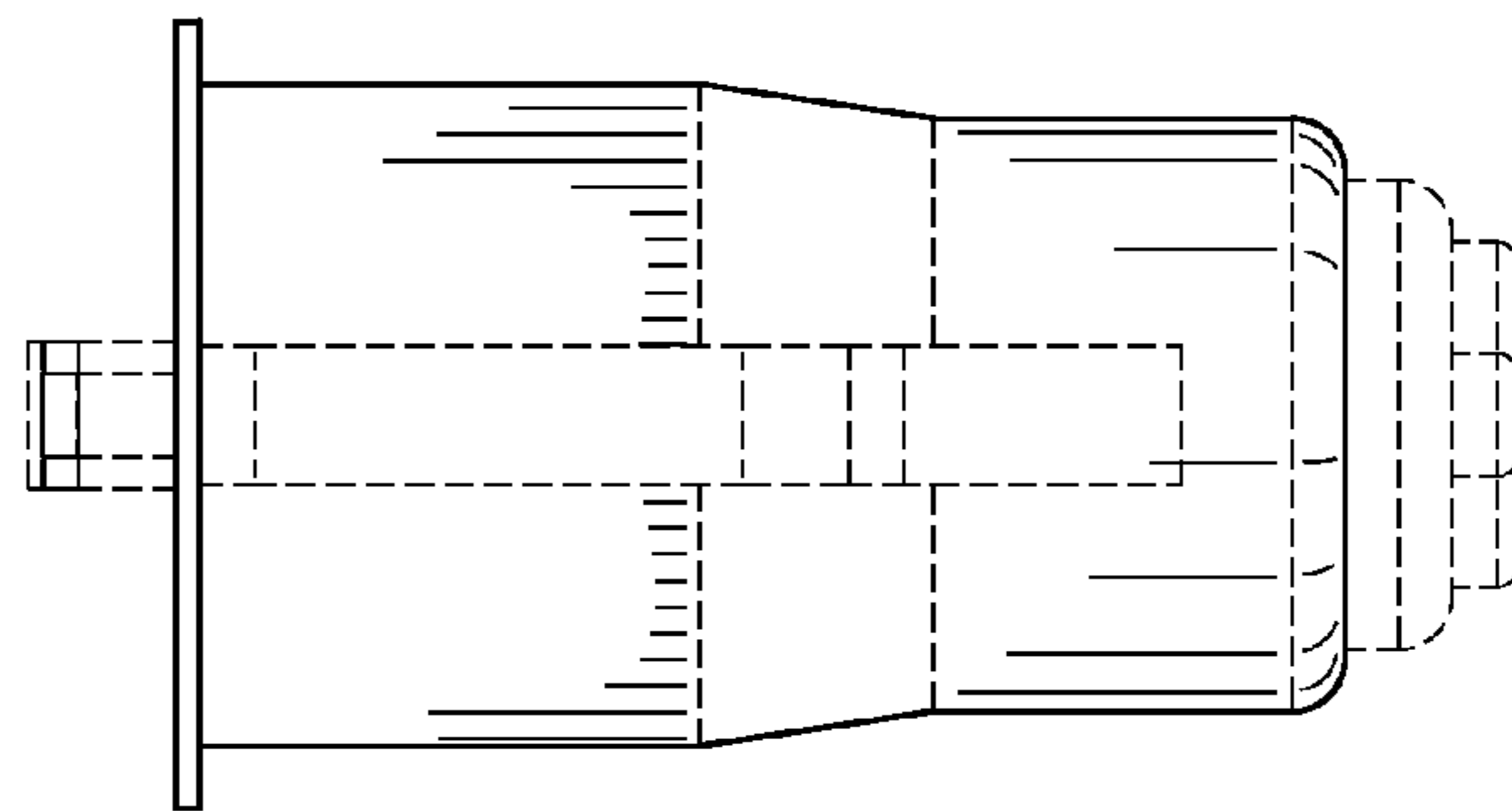


FIG. 4

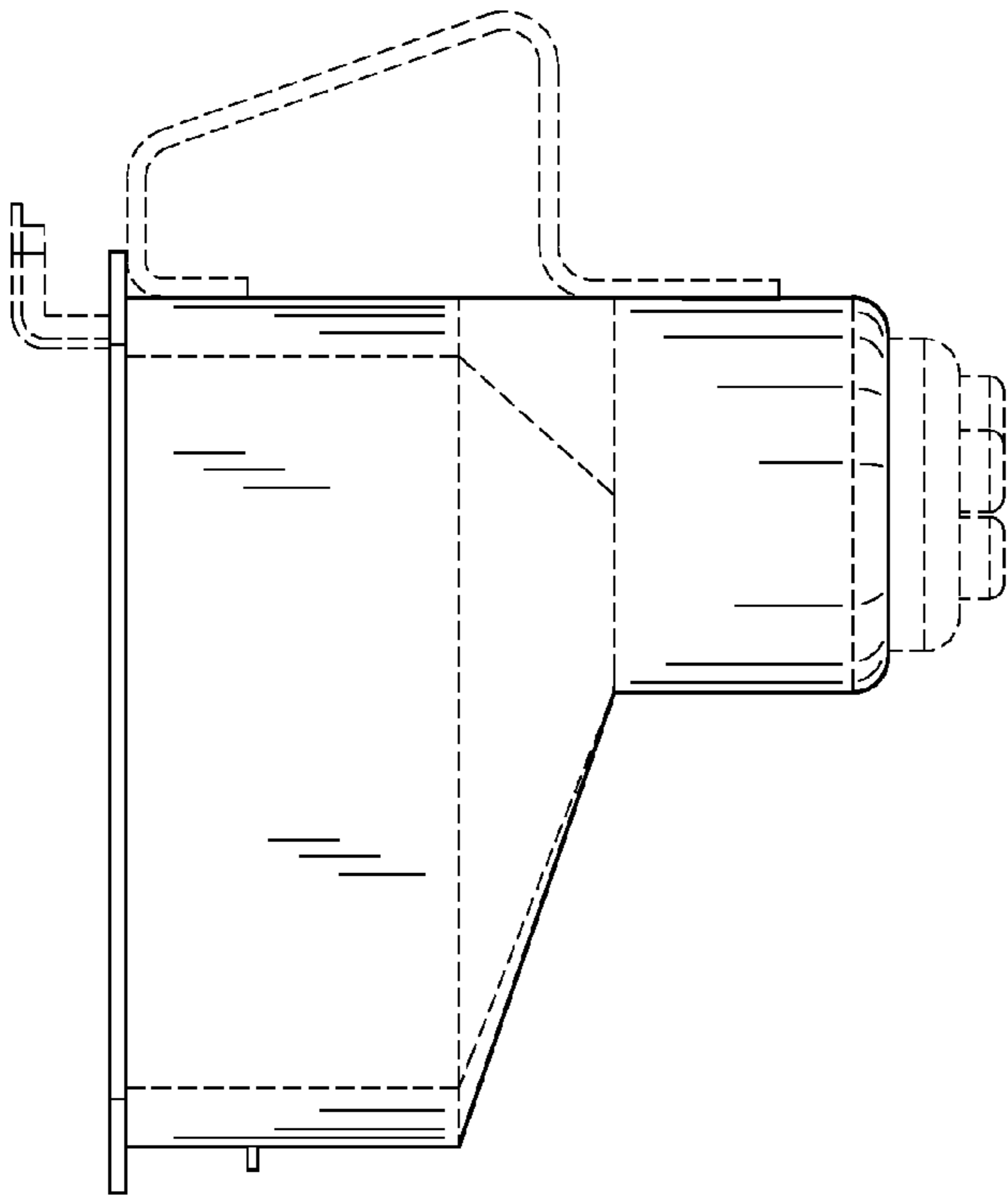


FIG. 7

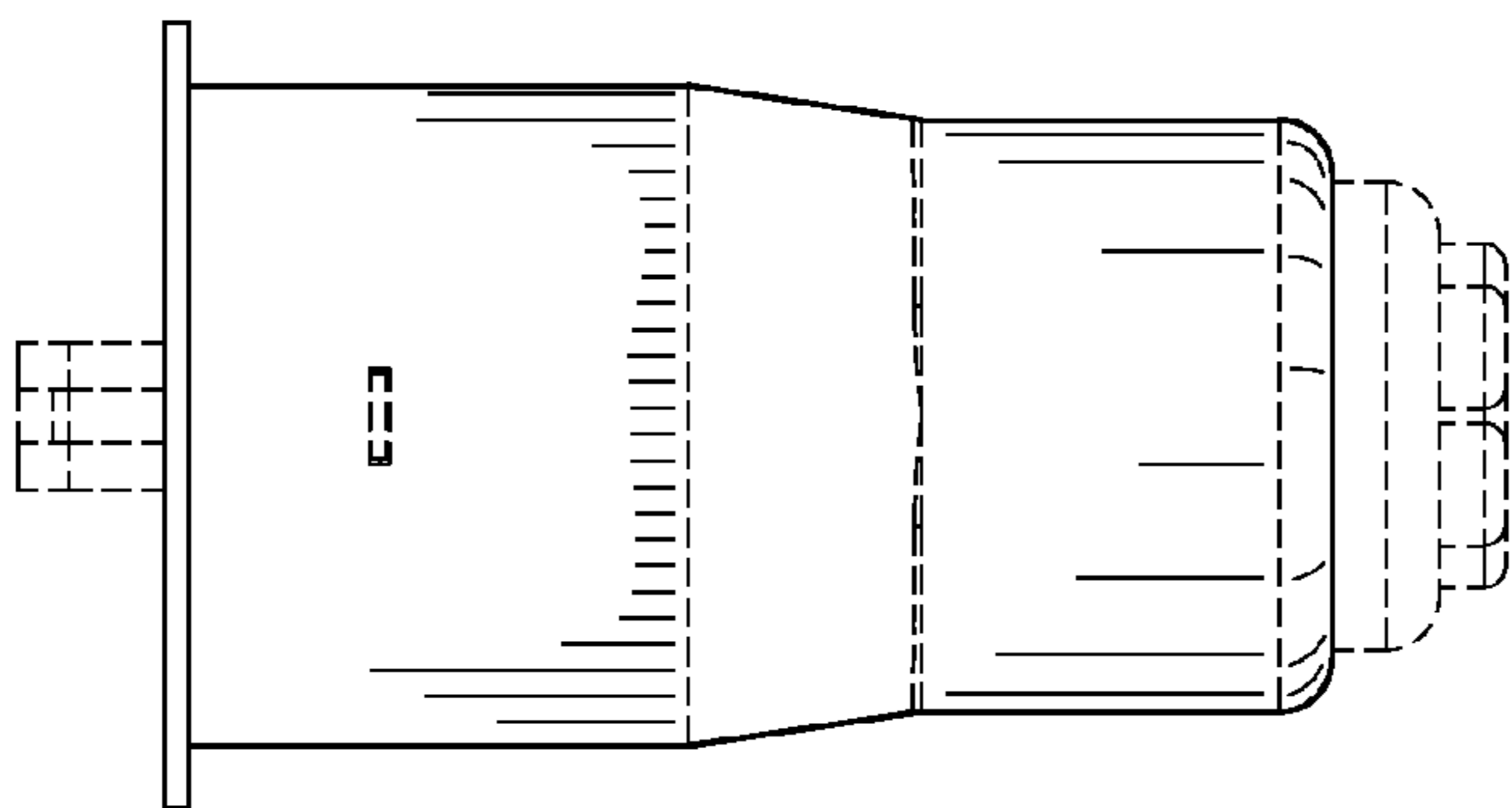


FIG. 6

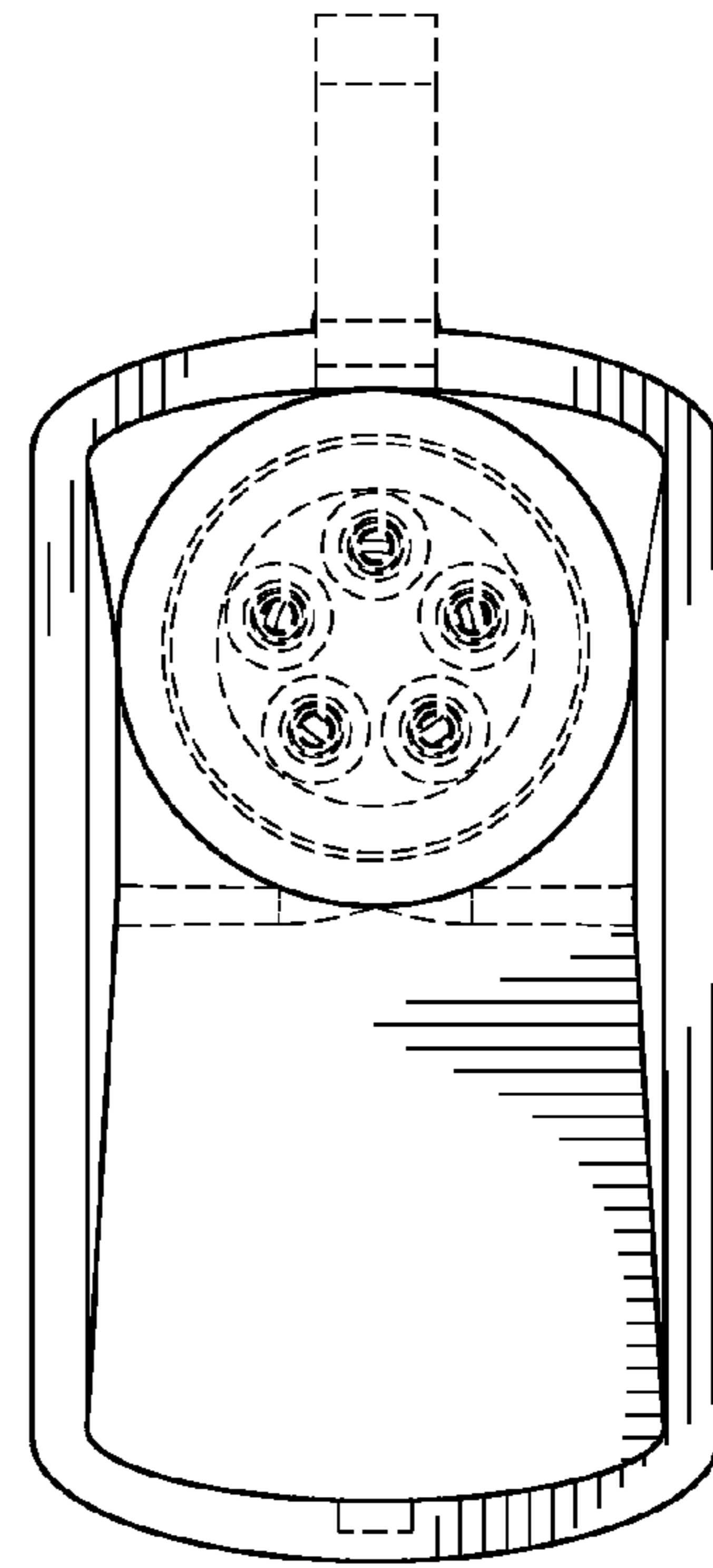


FIG. 8