



US00D623902S

(12) **United States Design Patent**  
**Henderson et al.**

(10) **Patent No.:** **US D623,902 S**

(45) **Date of Patent:** **\*\* Sep. 21, 2010**

(54) **TRAY WITH PLATE, FORK AND SPOON**

(75) Inventors: **Scott Henderson**, Brooklyn, NY (US);  
**Ellen Diamant**, New York, NY (US)

(73) Assignee: **Skip Hop, Inc.**, New York, NY (US)

(\*\*) Term: **14 Years**

(21) Appl. No.: **29/343,509**

(22) Filed: **Sep. 14, 2009**

(51) **LOC (9) Cl.** ..... **07-01**

(52) **U.S. Cl.** ..... **D7/553.2; D7/653**

(58) **Field of Classification Search** ..... D7/550.1,  
D7/553.1-553.8, 554.1-554.4, 555, 643-644,  
D7/653, 396.1; 220/500, 527, 553, 555-557  
See application file for complete search history.

(56) **References Cited**

**U.S. PATENT DOCUMENTS**

2,438,546	A *	3/1948	Davis	.....	220/574.2
2,700,284	A *	1/1955	Lyon, Jr.	.....	220/23.8
D176,489	S *	12/1955	Winkler	.....	D7/549
3,704,779	A *	12/1972	Nigg	.....	220/556
D376,295	S *	12/1996	Ahern et al.	.....	D7/549
D454,489	S *	3/2002	Enciso et al.	.....	D9/761
D547,127	S *	7/2007	Haughton	.....	D7/555
D576,449	S *	9/2008	Boudewijns	.....	D7/553.5
D577,265	S *	9/2008	Shane-Schuldt	.....	D7/653

\* cited by examiner

*Primary Examiner*—Ian Simmons

*Assistant Examiner*—Dana L Sipos

(74) *Attorney, Agent, or Firm*—Stites & Harbison PLLC;  
Stephen J. Weyer

(57) **CLAIM**

The ornamental design for a tray with plate, fork and spoon,  
as shown and described.

**DESCRIPTION**

FIG. 1 is a perspective view taken from the top, front, and left side of a tray with plate, fork and spoon in accordance with the present invention;

FIG. 2 is a top view showing the tray with plate, fork and spoon of FIG. 1;

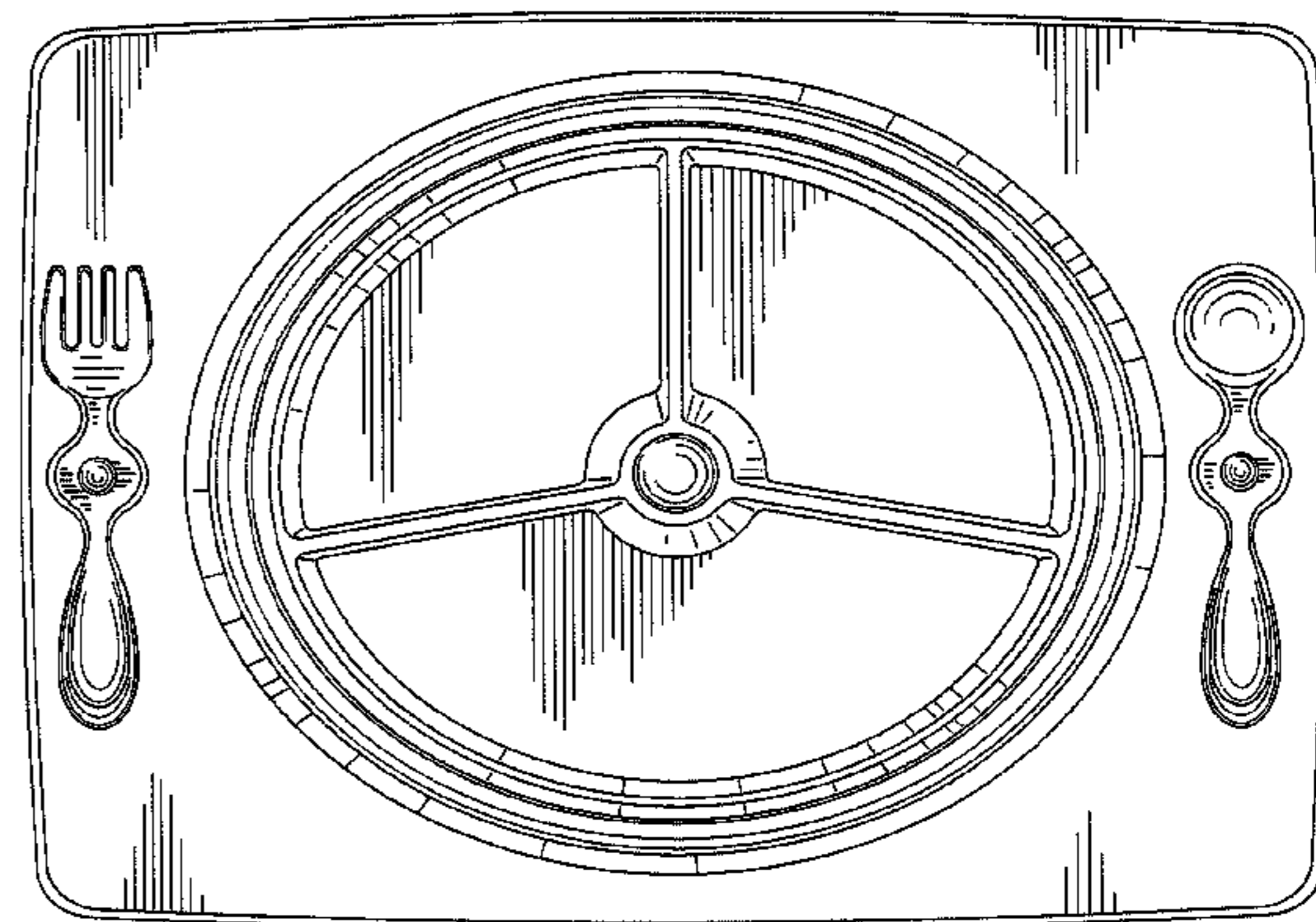
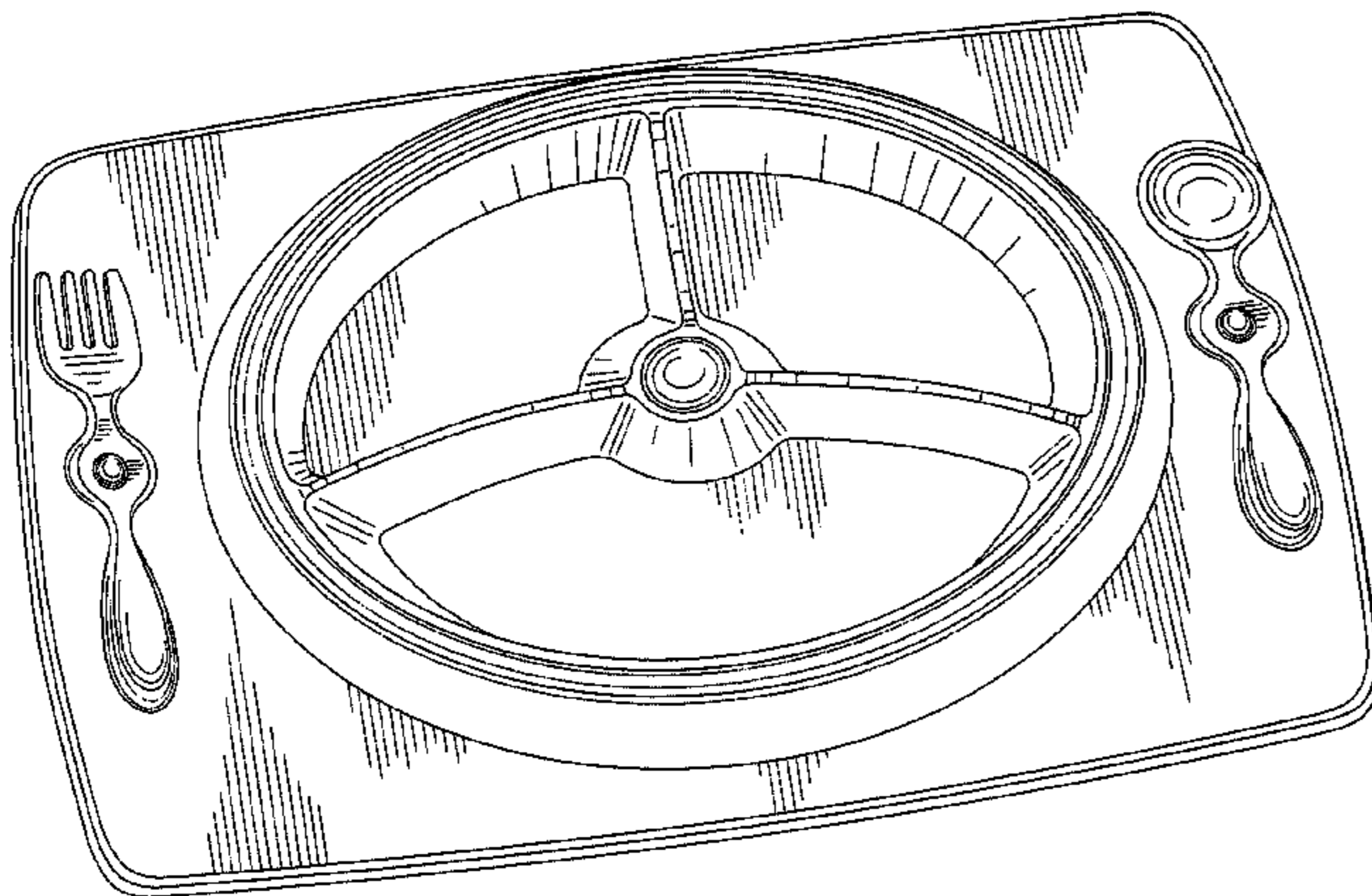
FIG. 3 is a front elevational view of the tray with plate, fork and spoon of FIG. 1;

FIG. 4 is a rear elevational view of the tray with plate, fork and spoon of FIG. 1;

FIG. 5 is a right elevational view of the tray with plate, fork and spoon of FIG. 1; and,

FIG. 6 is a left elevational view of the tray with plate, fork and spoon of FIG. 1.

**1 Claim, 4 Drawing Sheets**



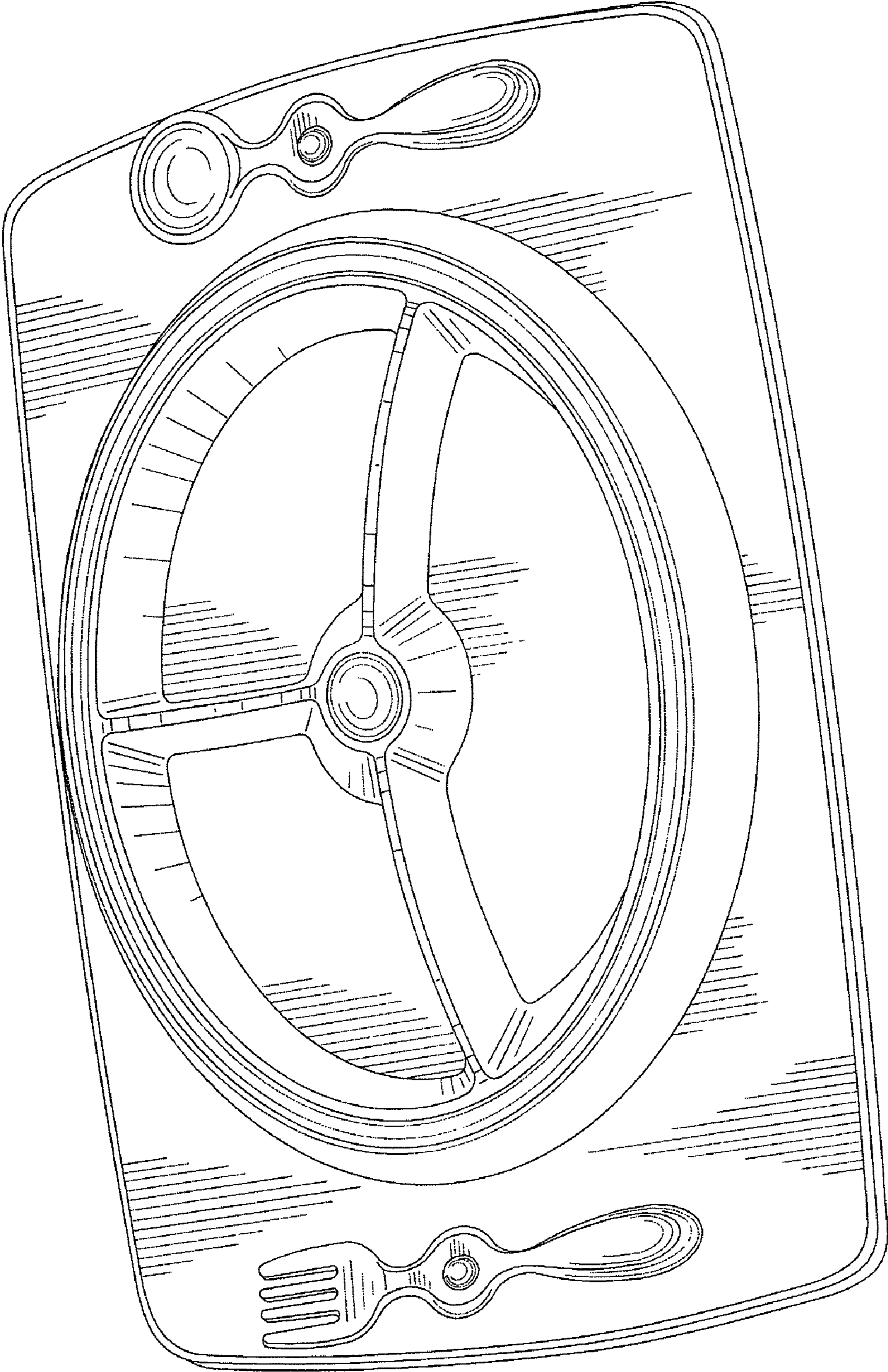


FIG. 1



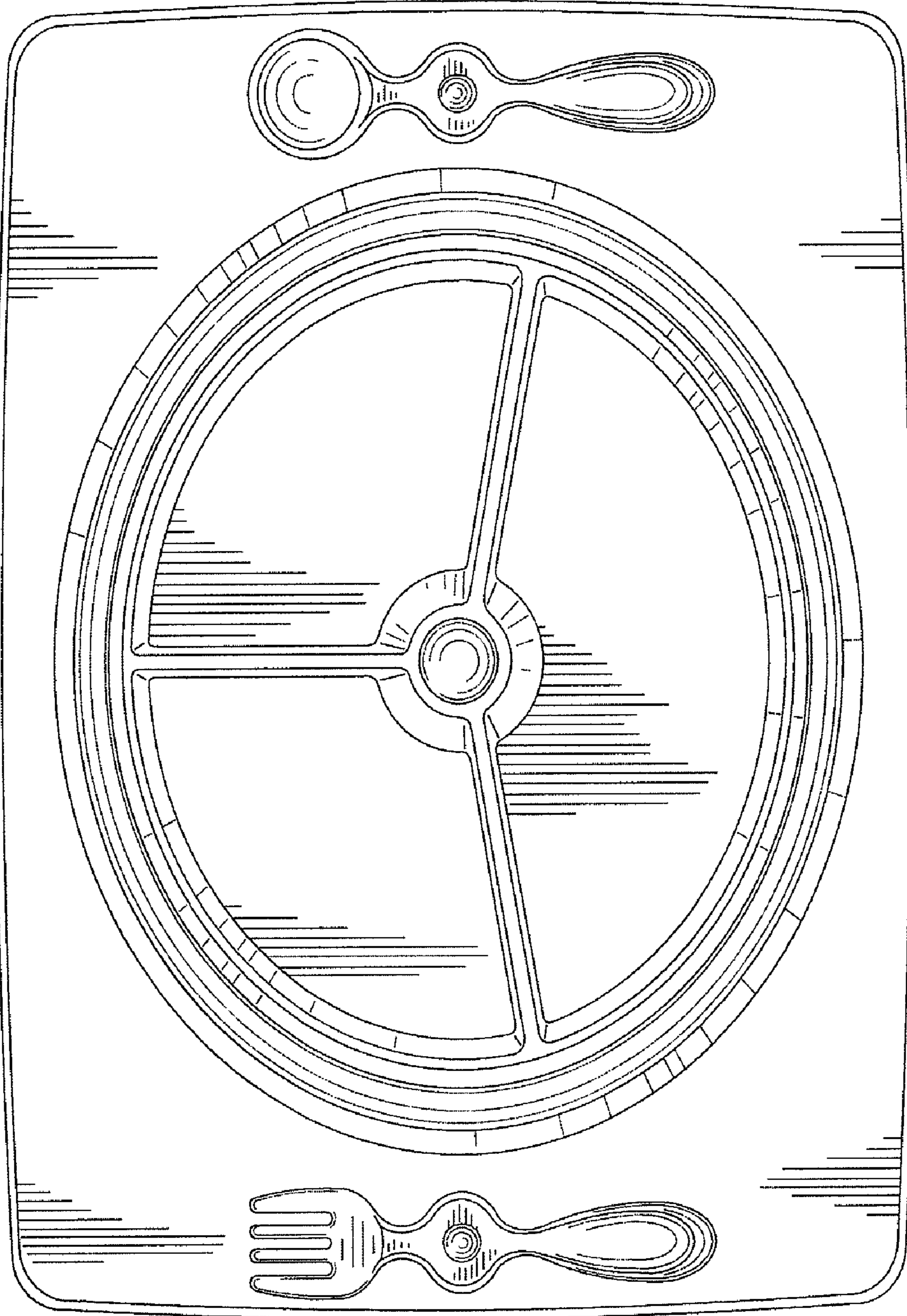


FIG. 2

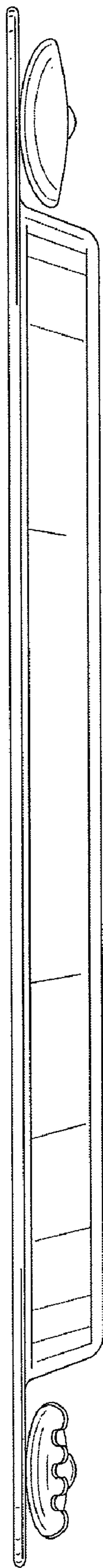


FIG. 3

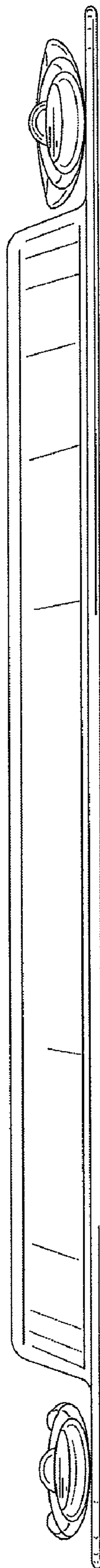


FIG. 4

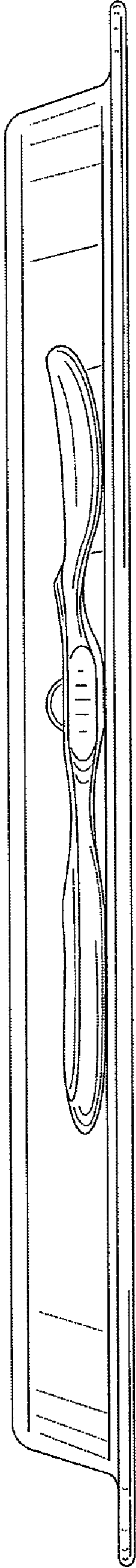


FIG. 5

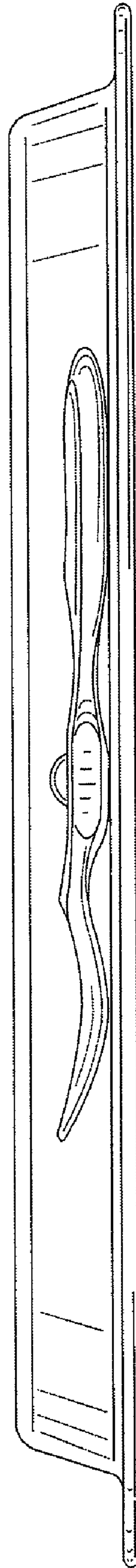


FIG. 6