



US00D623900S

(12) **United States Design Patent**
Wolhendler

(10) **Patent No.:** **US D623,900 S**

(45) **Date of Patent:** **** Sep. 21, 2010**

(54) **DRINKING CUP**

(75) Inventor: **Saul Wolhendler**, Lakewood, NJ (US)

(73) Assignee: **EMI Yoshi Inc.**, No. Brunswick, NJ (US)

(**) Term: **14 Years**

(21) Appl. No.: **29/316,033**

(22) Filed: **Aug. 19, 2009**

(51) **LOC (9) Cl.** **07-01**

(52) **U.S. Cl.** **D7/536; D7/533**

(58) **Field of Classification Search** D7/509,
D7/533, 536, 510, 511; 220/713, 703, 715,
220/592.16, 592.17, 705; 215/10
See application file for complete search history.

(56) **References Cited**

U.S. PATENT DOCUMENTS

D70,329 S *	6/1926	Johnson	D7/536
D70,369 S *	6/1926	Johnson	D7/536
D100,850 S *	8/1936	Cowan	D7/536
D220,845 S *	6/1971	Mascetti, Jr.	D7/533
D220,966 S *	6/1971	Bateman	D7/536
D222,732 S *	12/1971	Howard	D7/536
D224,623 S *	8/1972	Ketcham et al.	D7/536

D527,950 S *	9/2006	Scherer	D7/536
D561,537 S *	2/2008	Schosser	D7/536
D594,699 S *	6/2009	Spivey et al.	D7/510
D596,899 S *	7/2009	Spiller	D7/507

* cited by examiner

Primary Examiner—Marianne Pandozzi

(74) *Attorney, Agent, or Firm*—Law Firm of Watter D. Ames

(57) **CLAIM**

The ornamental design for a drinking cup, as shown and described.

DESCRIPTION

FIG. 1 is a top perspective view of a drinking cup showing my new design;

FIG. 2 is a bottom perspective view thereof;

FIG. 3 is a side elevation thereof;

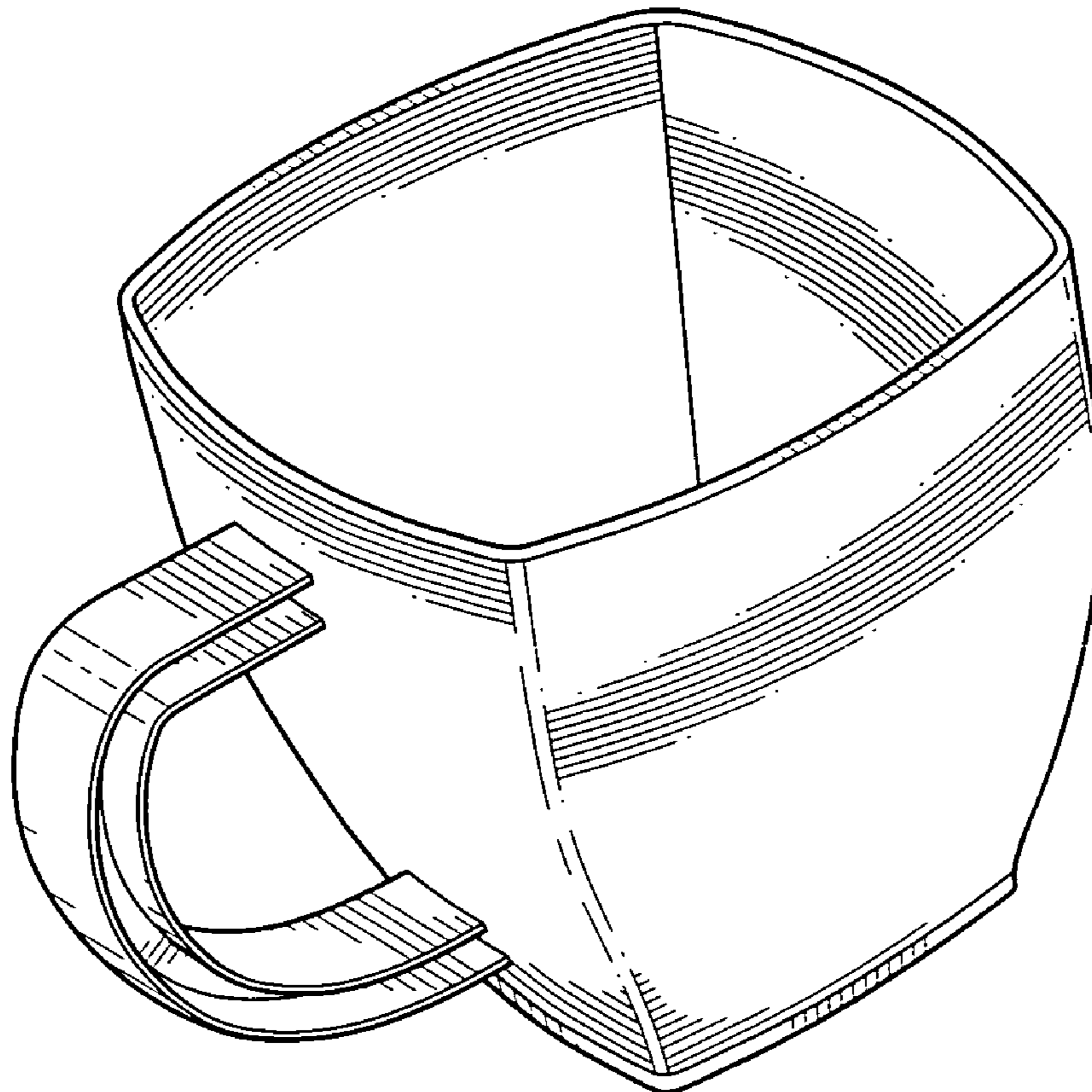
FIG. 4 is a side elevation thereof with the cup rotated 90 degrees counterclockwise from the position shown in FIG. 3;

FIG. 5 is a side elevation thereof with the cup rotated 180 degrees from the position shown in FIG. 3;

FIG. 6 is a top plan view thereof; and,

FIG. 7 is a bottom plan view thereof.

1 Claim, 4 Drawing Sheets



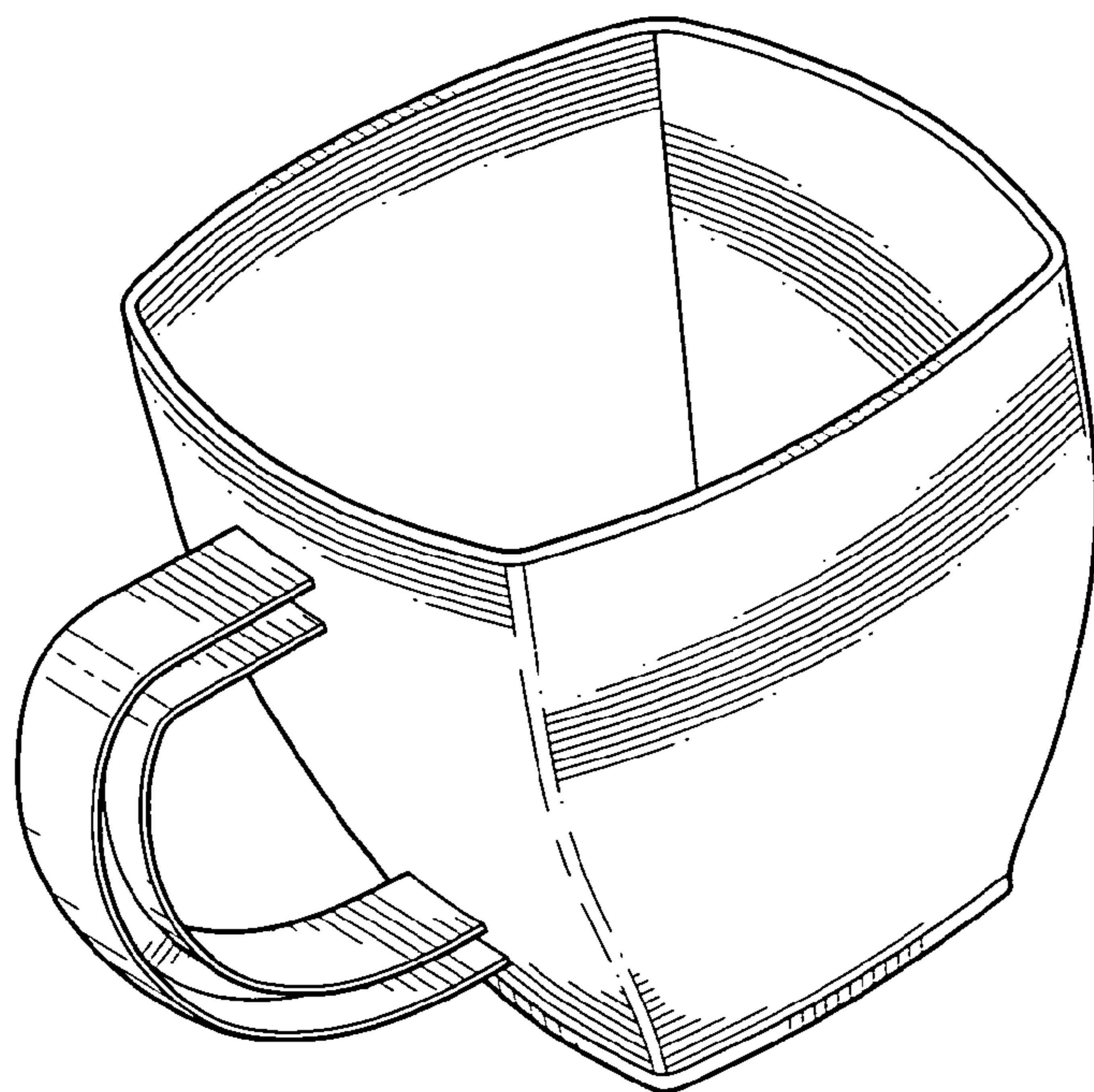


FIG. 1

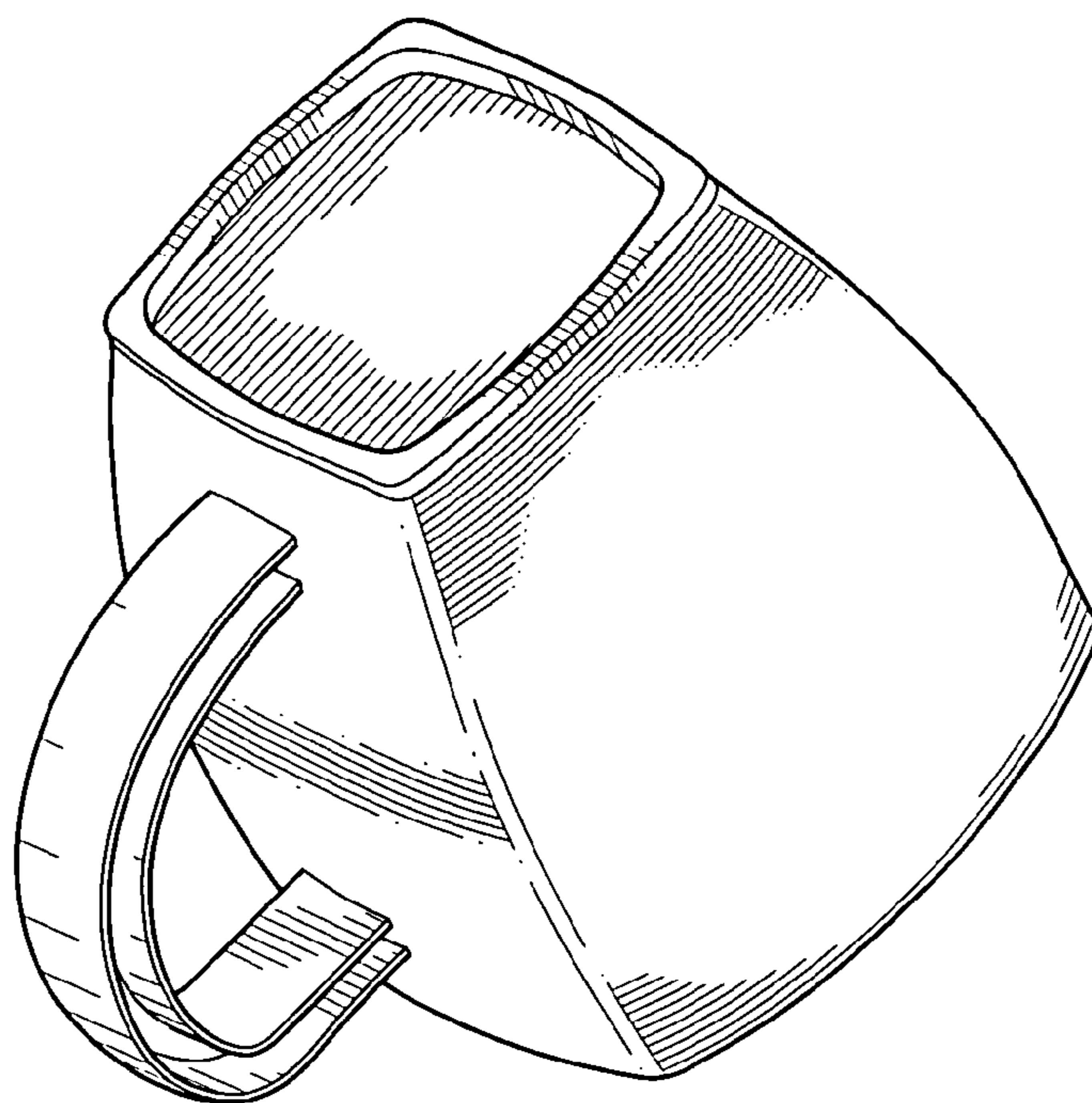


FIG. 2

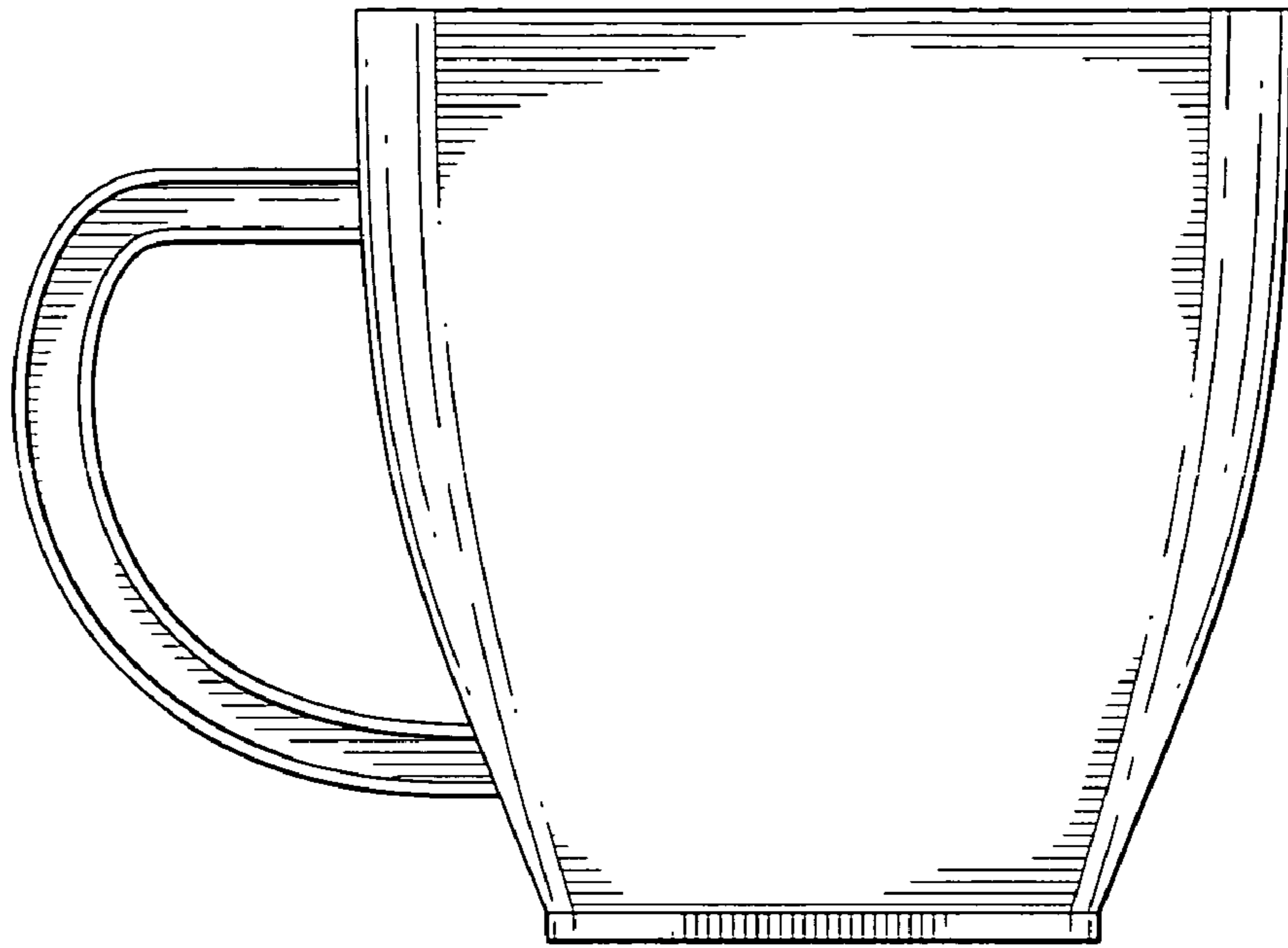


FIG. 3

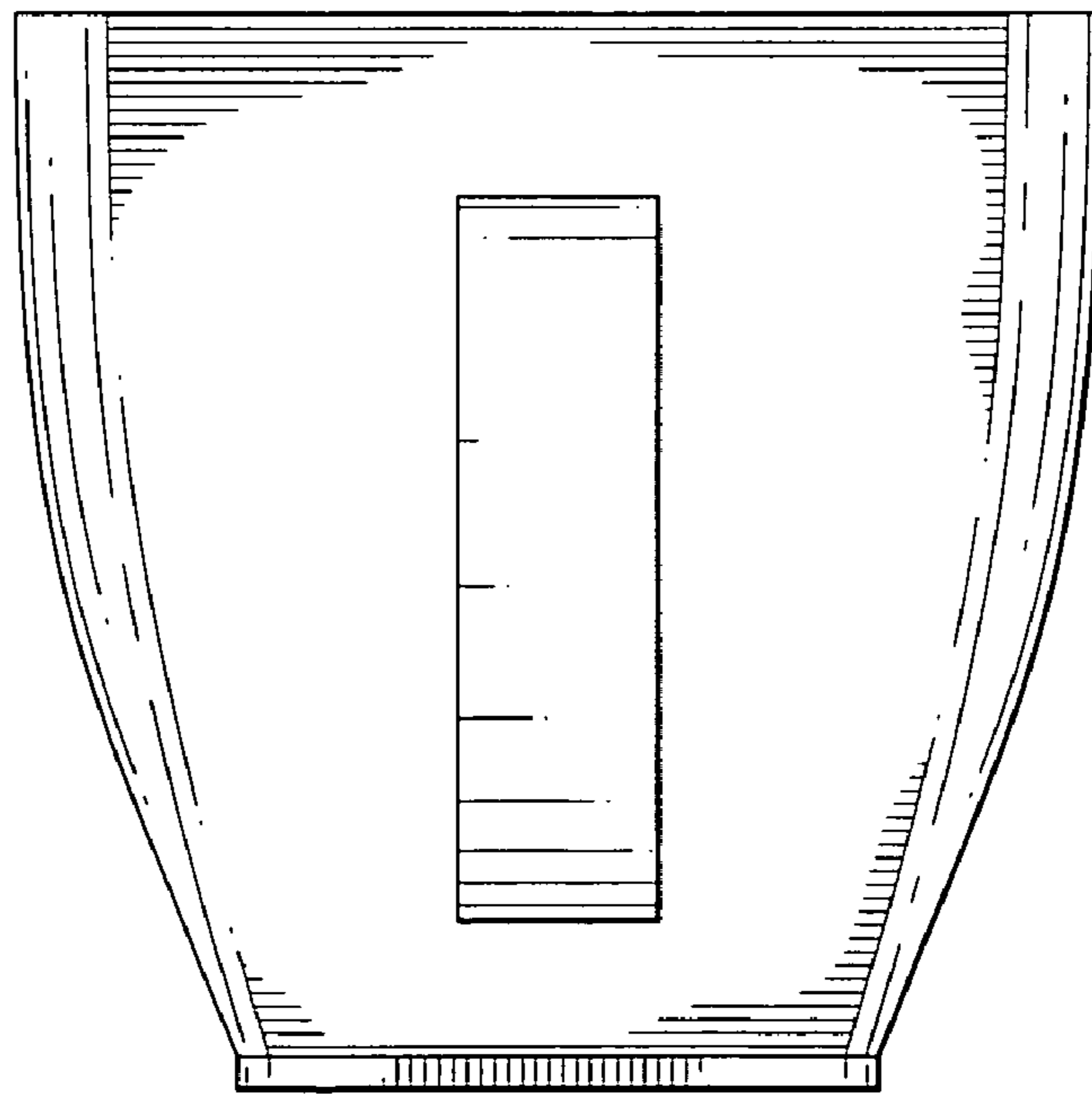


FIG. 4

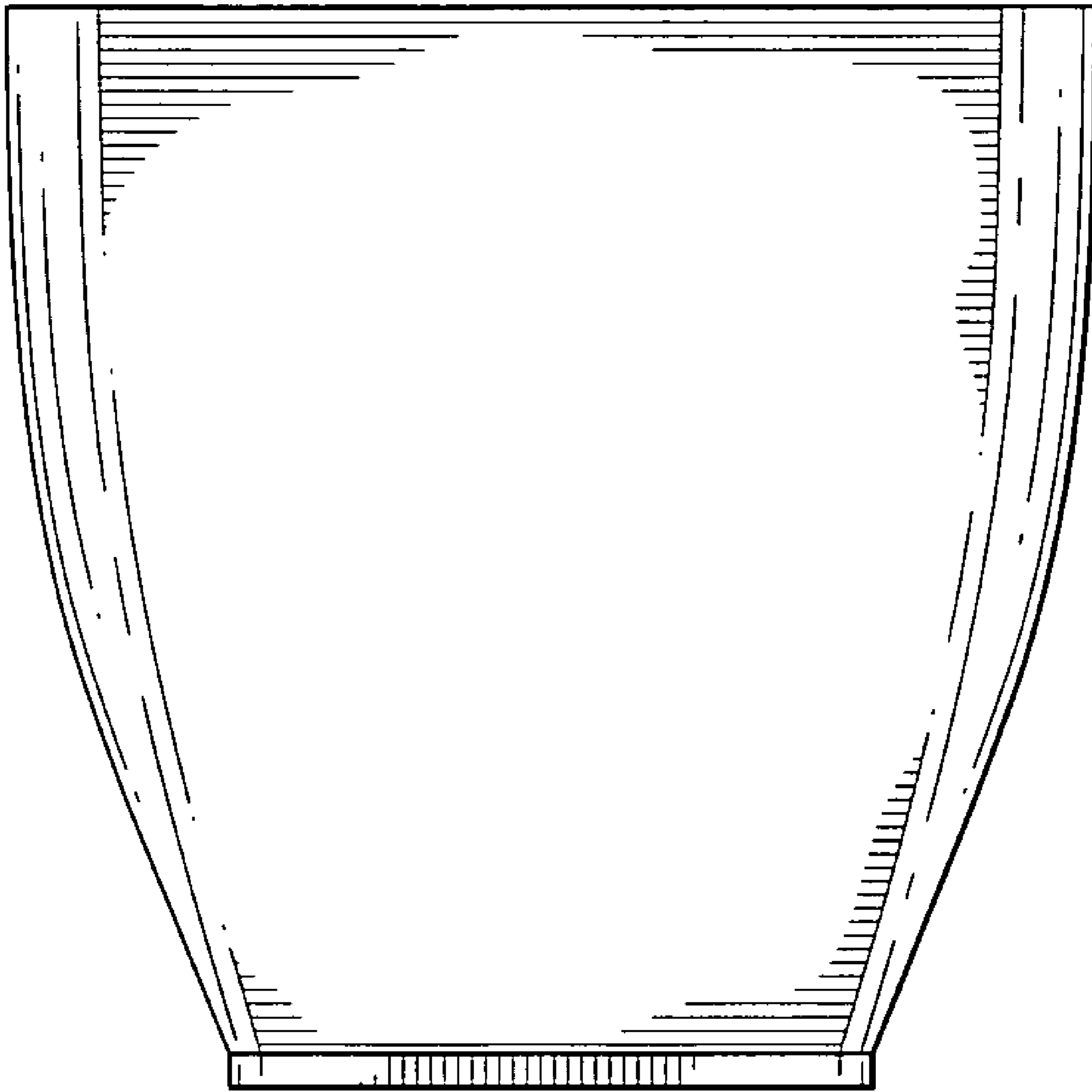


FIG. 5

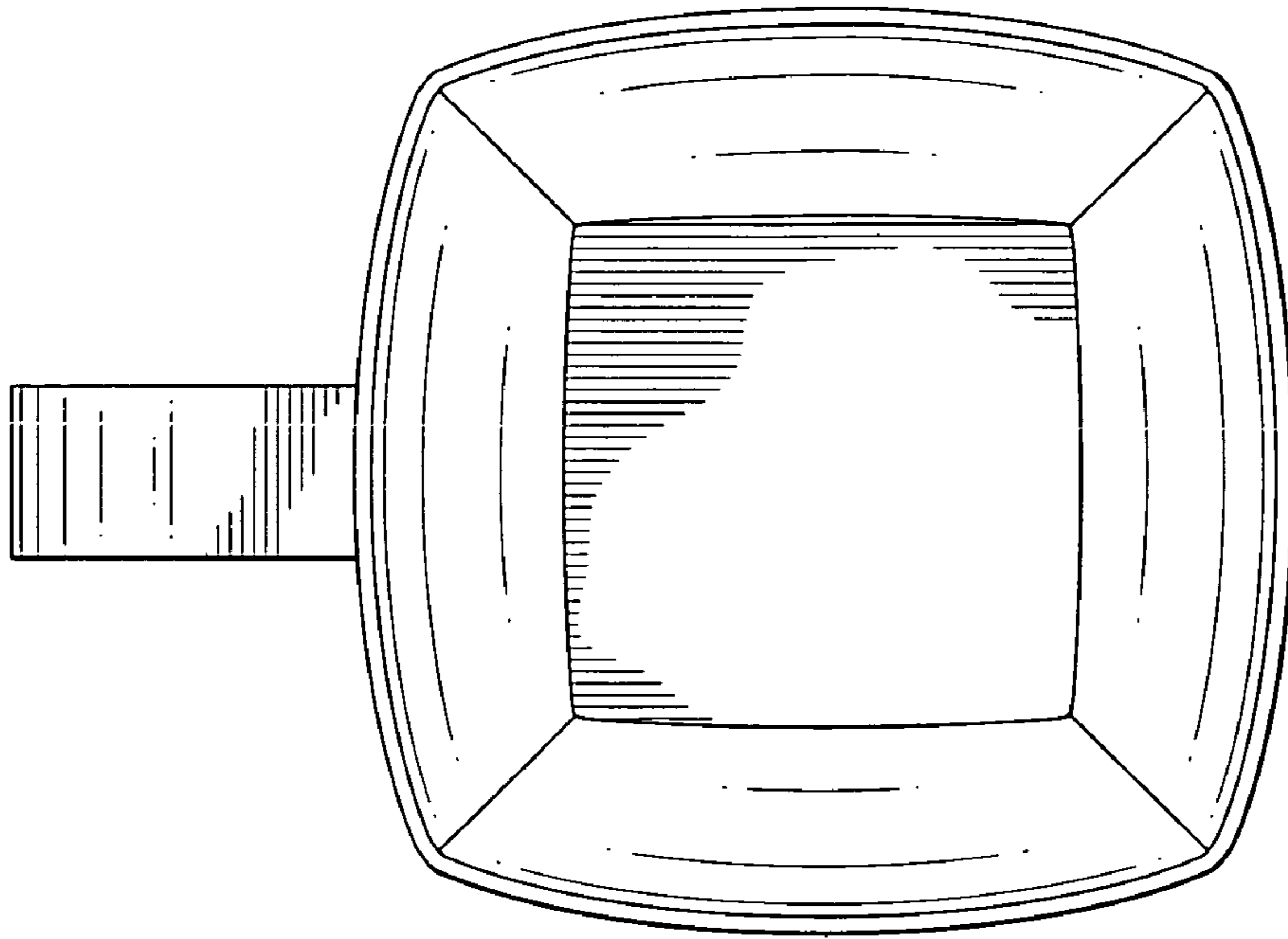


FIG. 6

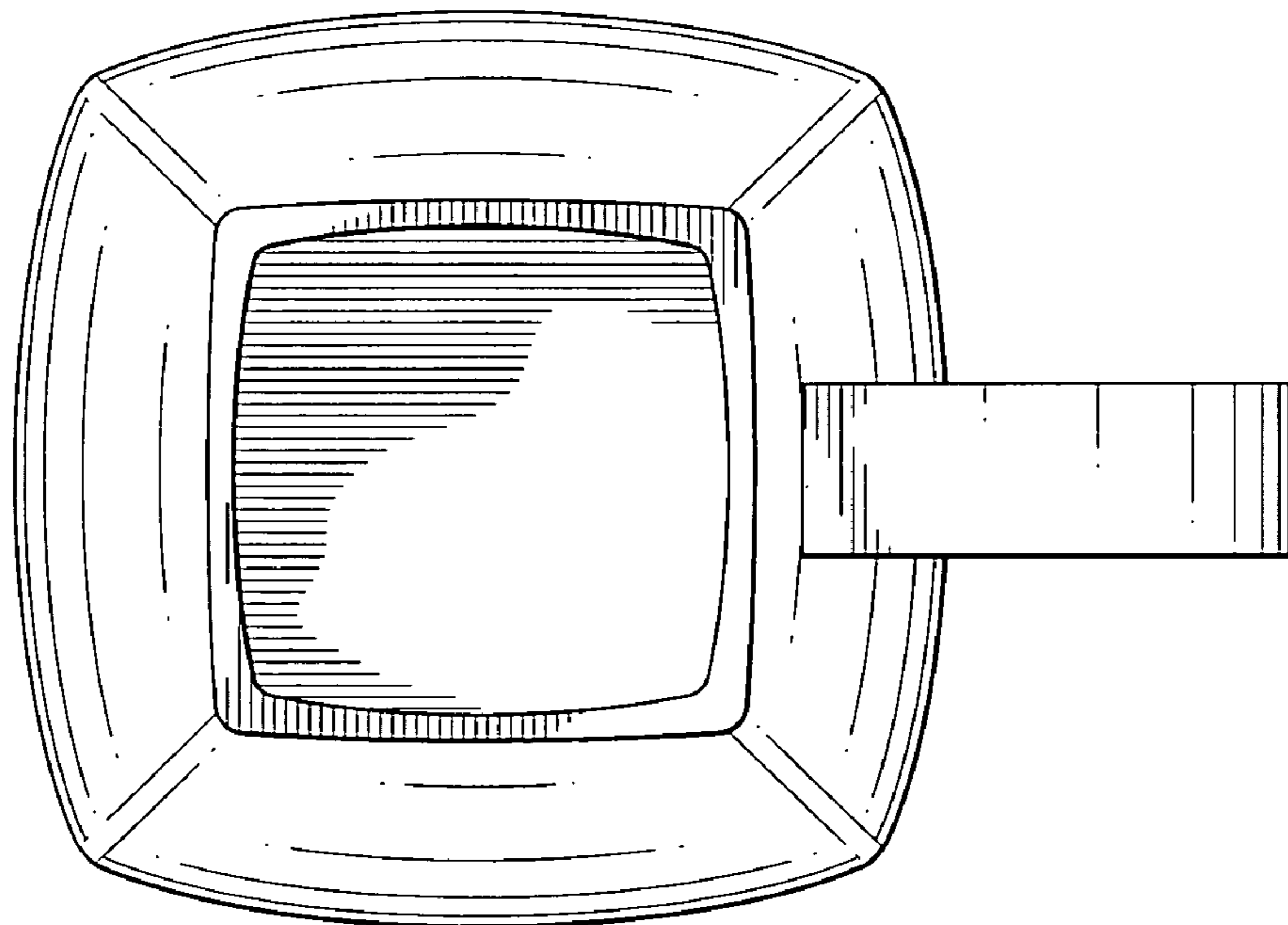


FIG. 7