



US00D623898S

(12) **United States Design Patent**
Snell

(10) **Patent No.:** **US D623,898 S**

(45) **Date of Patent:** **** Sep. 21, 2010**

(54) **TUMBLER**

(75) Inventor: **Russell Benton Snell**, Bentleyville, OH
(US)

(73) Assignee: **InterDesign, Inc.**, Solon, OH (US)

(**) Term: **14 Years**

(21) Appl. No.: **29/348,429**

(22) Filed: **Jan. 5, 2010**

(51) **LOC (9) Cl.** **07-01**

(52) **U.S. Cl.** **D7/523; D7/509**

(58) **Field of Classification Search** D7/509,
D7/533, 536, 510, 511, 591, 608, 605, 523,
D7/396.2, 396.4-396.6; 215/378, 398, 386;
220/737, 714, 630; D9/529, 521, 688, 689,
D9/523, 516, 538, 502, 503; D34/1; D11/152
See application file for complete search history.

(56) **References Cited**

U.S. PATENT DOCUMENTS

D108,746 S	*	3/1938	Hansen	D7/523
D457,782 S	*	5/2002	Snell	D7/396.6
D463,715 S		10/2002	Dretzka		
D472,427 S	*	4/2003	Dretzka	D7/523
D490,582 S	*	5/2004	Dretzka	D34/1
D502,365 S		3/2005	Dretzka		
D505,828 S	*	6/2005	Snell	D7/396.2
D543,270 S	*	5/2007	Miura et al.	D23/385
D543,327 S	*	5/2007	Snell	D34/1
D550,509 S	*	9/2007	Dretzka	D7/523
D551,905 S	*	10/2007	Snell	D7/523

D552,422 S	*	10/2007	Dretzka	D7/523
D557,073 S	*	12/2007	Snell	D7/523
D582,724 S		12/2008	Dretzka		
D594,278 S	*	6/2009	Snell	D7/523
D603,220 S	*	11/2009	Ghiorghie	D7/523

OTHER PUBLICATIONS

2007 InterDesign, Inc. product brochure, p. 2, 3, 4, 5, 6, 7, 8, 9, 10, 12, 13, 14, 15, 17 w/front & back cover.

* cited by examiner

Primary Examiner—Marianne Pandozzi

(74) *Attorney, Agent, or Firm*—D. Peter Hochberg; Sean F. Mellino; Daniel J. Smola

(57) **CLAIM**

The ornamental design for a tumbler, as shown and described.

DESCRIPTION

FIG. 1 is a perspective view of the tumbler according to the invention;

FIG. 2 is a perspective view showing the bottom portion of the tumbler as shown in FIG. 1;

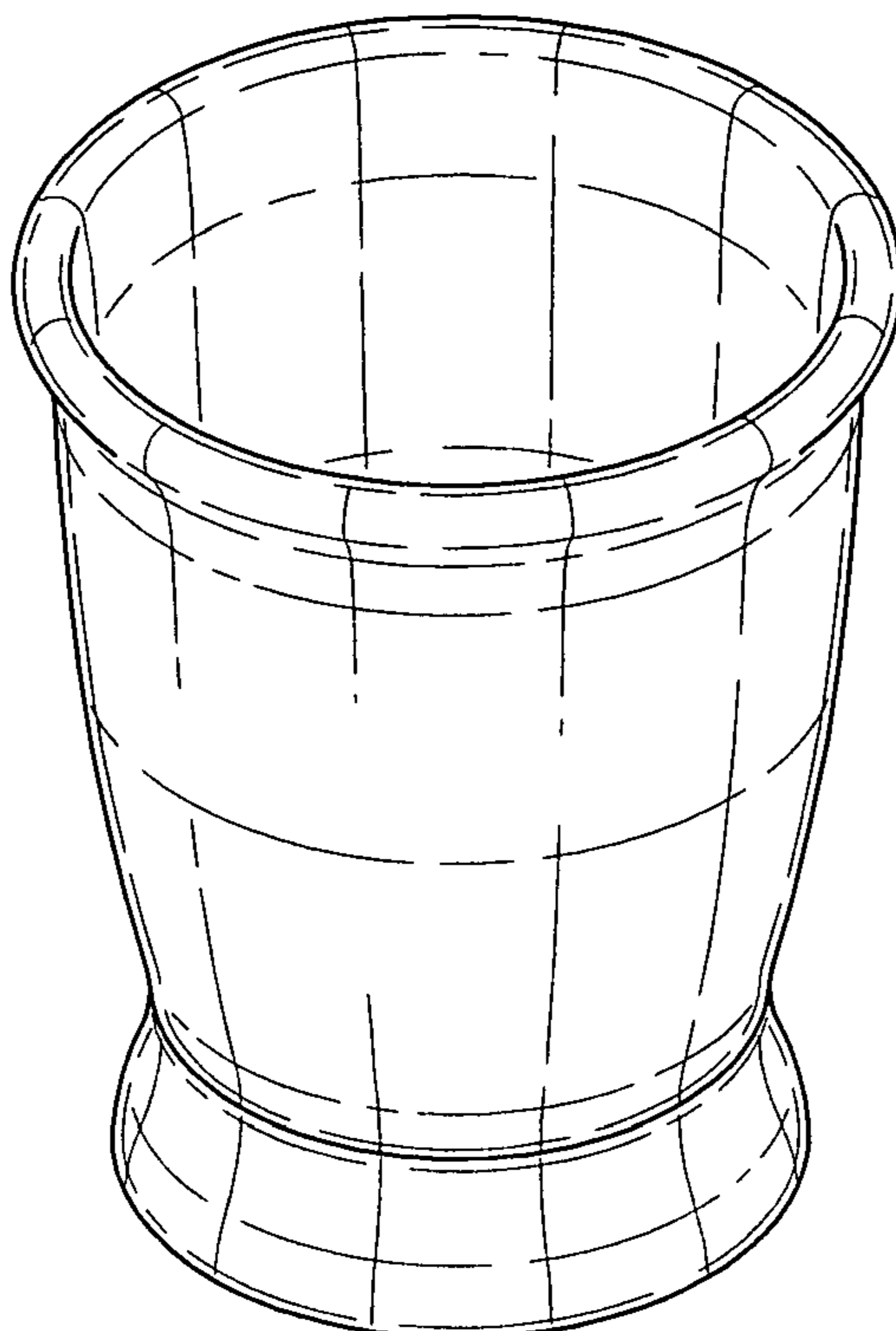
FIG. 3 is a top view of the tumbler as shown in FIG. 1;

FIG. 4 is a front view of the tumbler as shown in FIG. 1, which is identical to the rear view and side views;

FIG. 5 is a bottom view of the tumbler as shown in FIG. 1; and,

FIG. 6 is a fragmentary sectional view of the bottom portion of the tumbler with the top portion removed for ease of illustration taken along the line 6—6 as shown in FIG. 3.

1 Claim, 2 Drawing Sheets



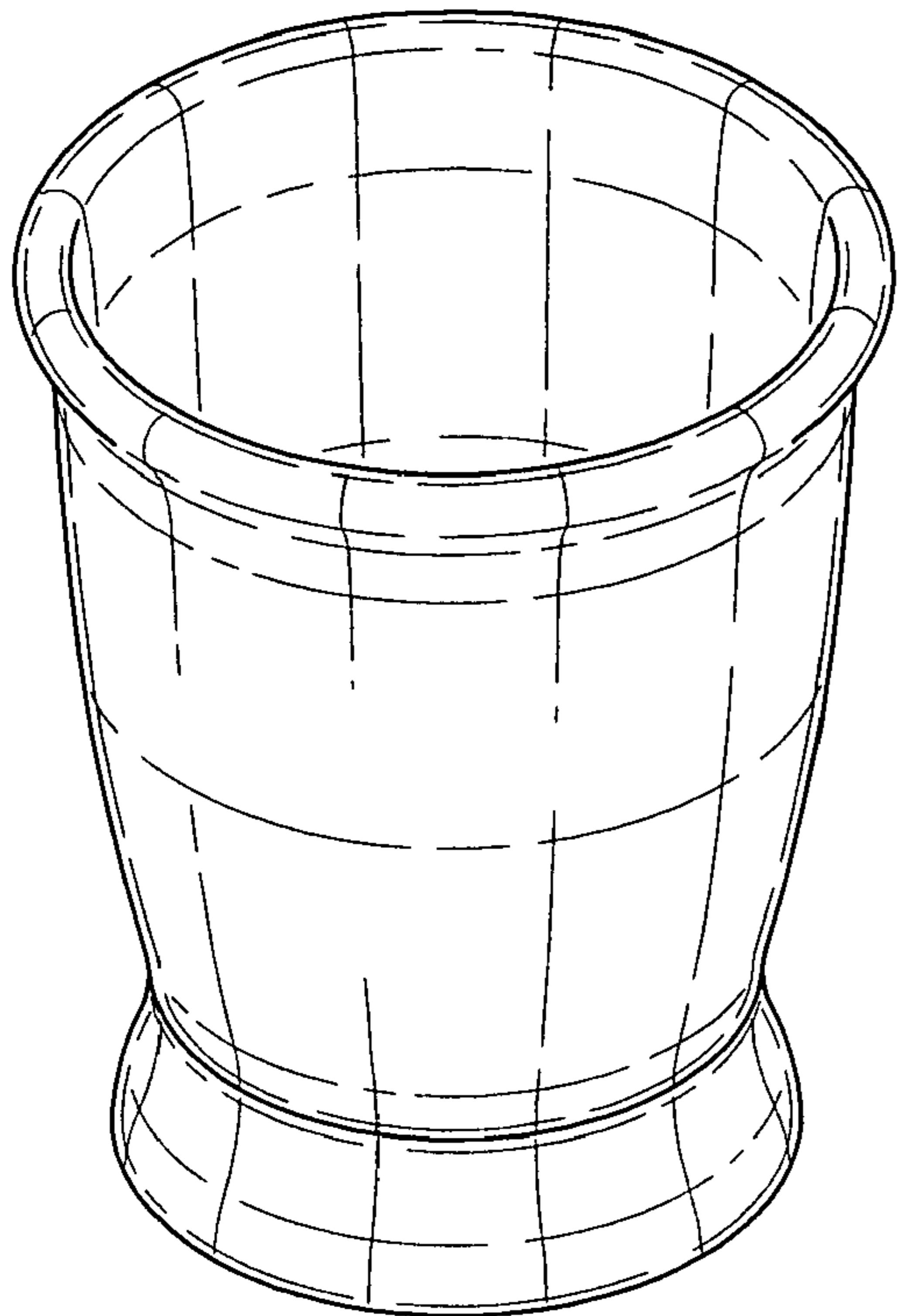


FIG-1

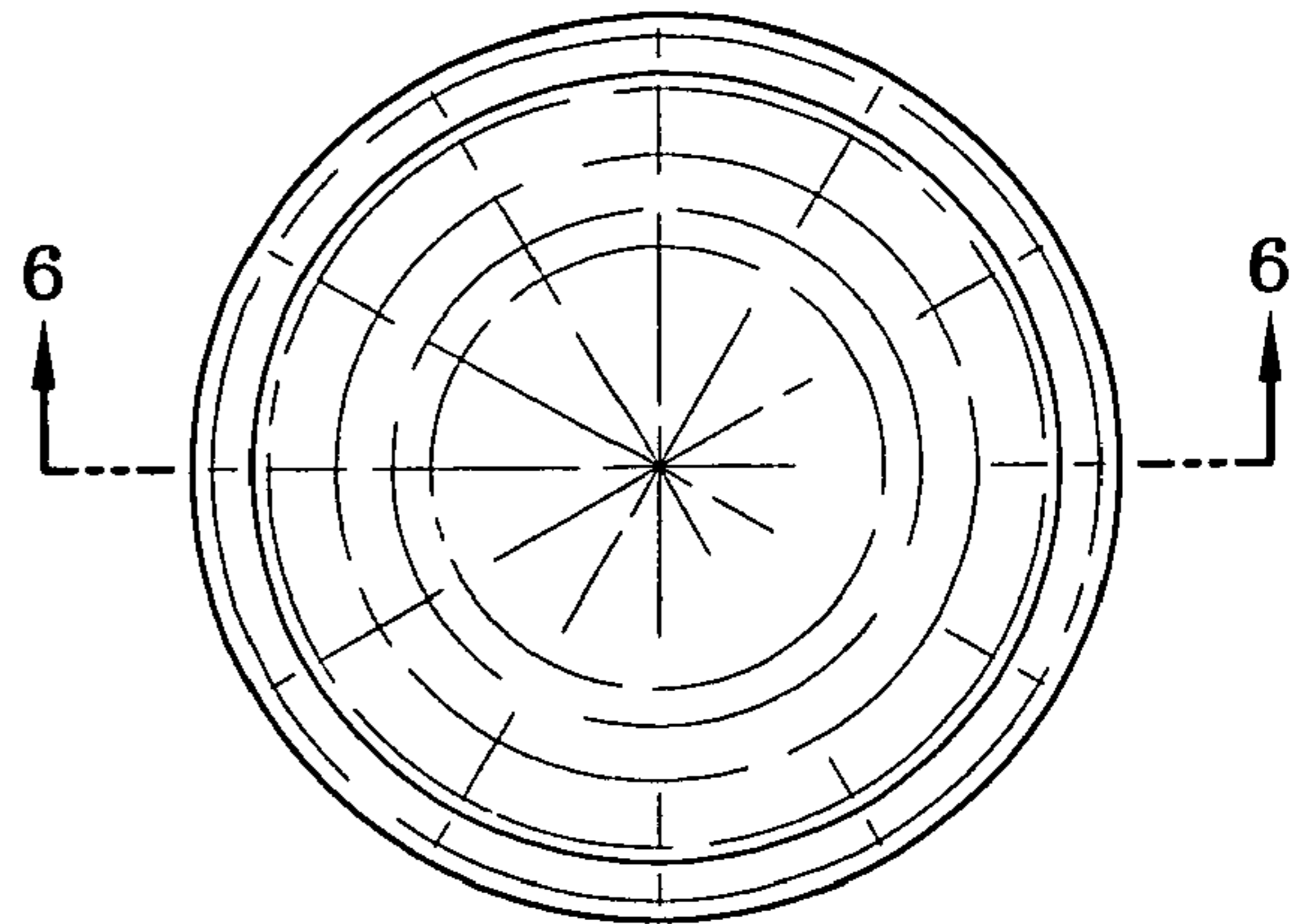


FIG-3

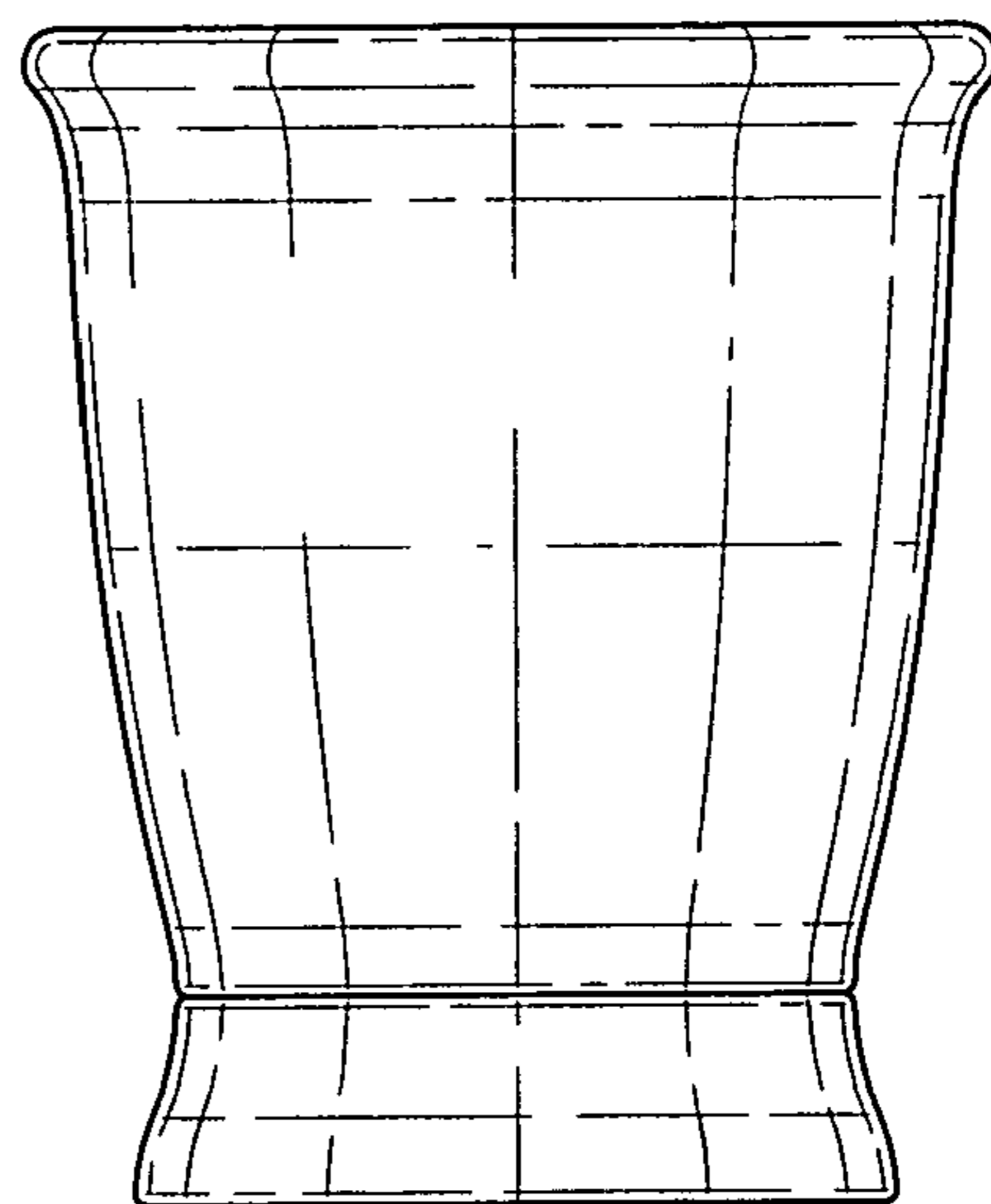


FIG-4

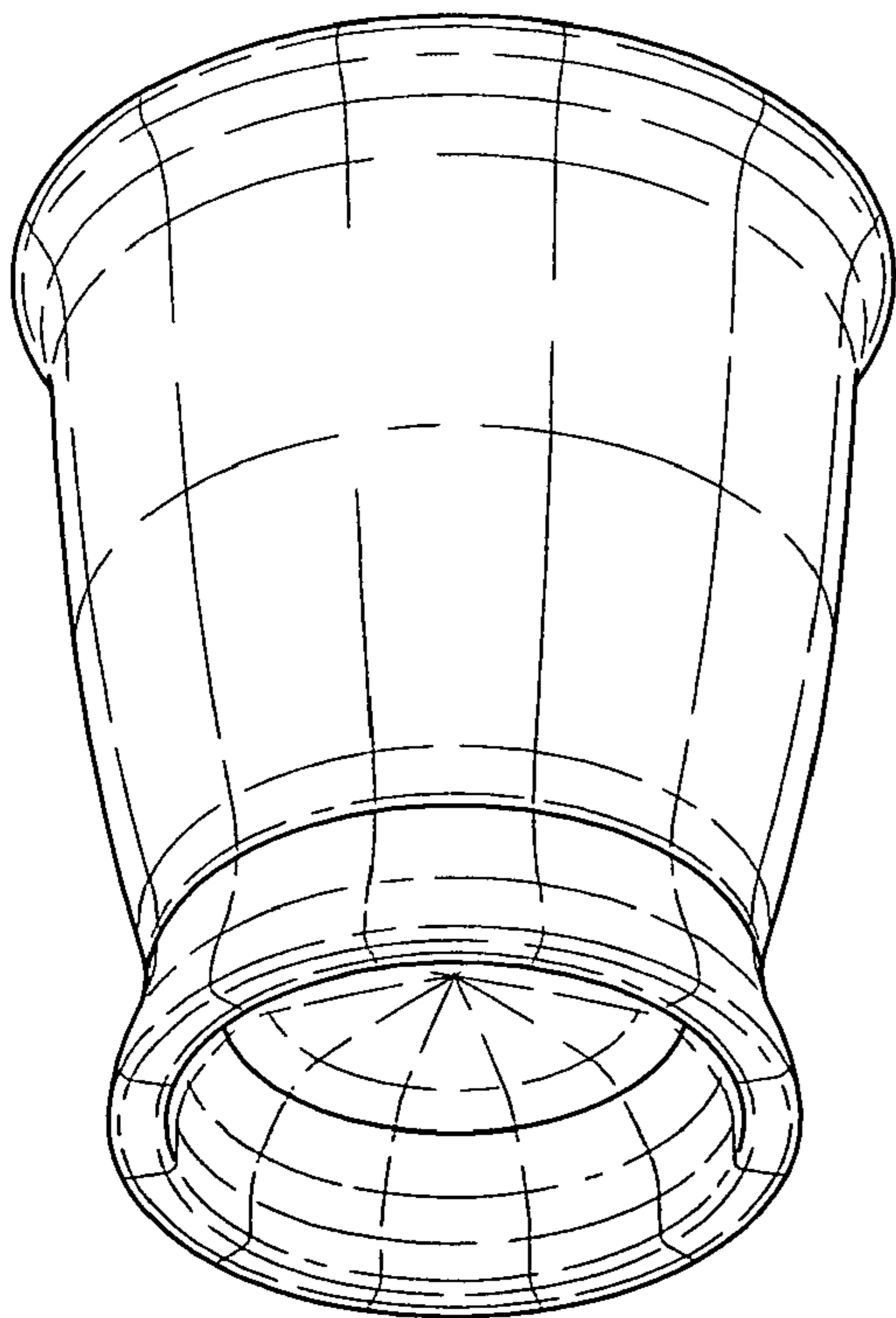


FIG-2

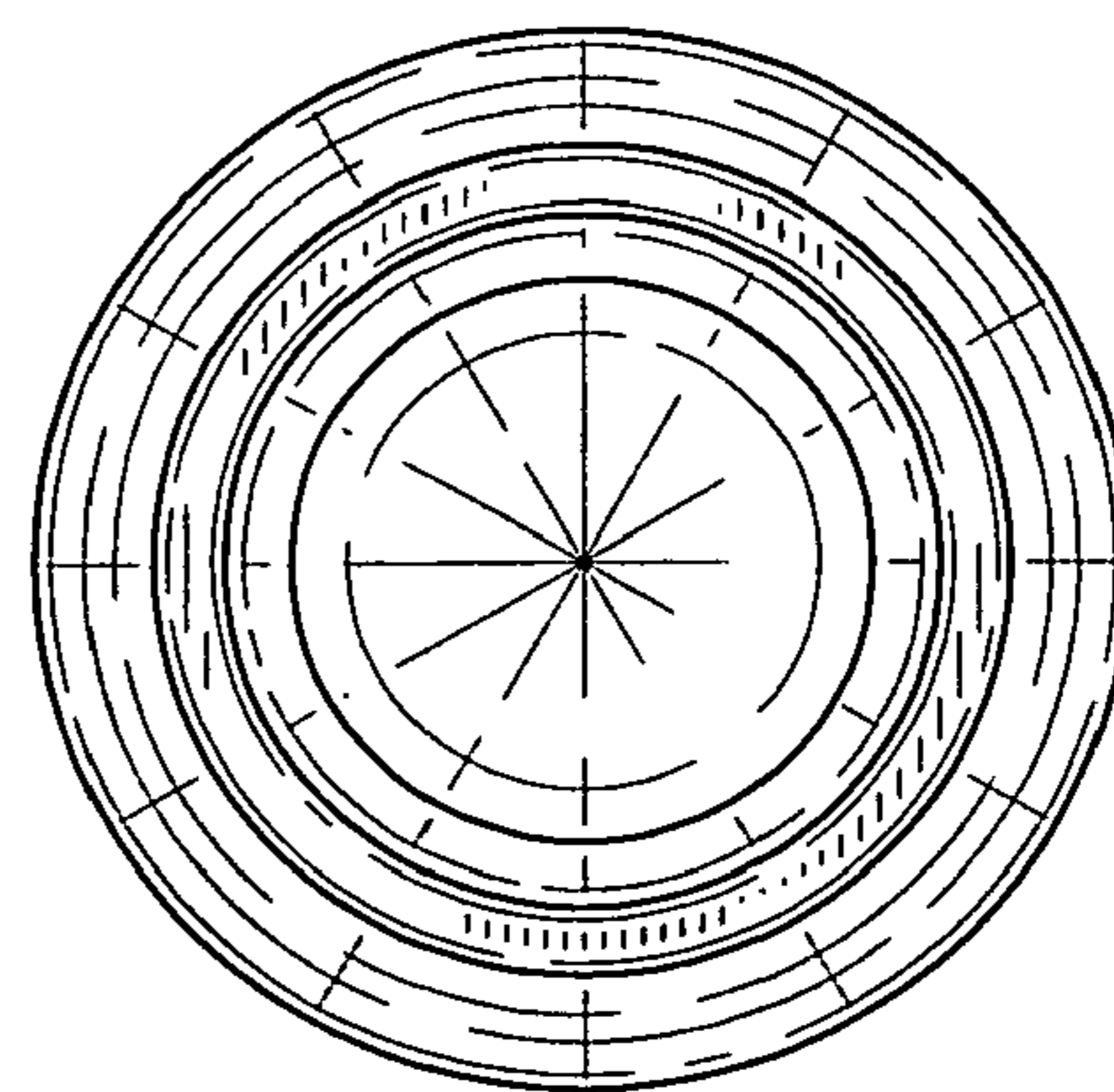


FIG-5

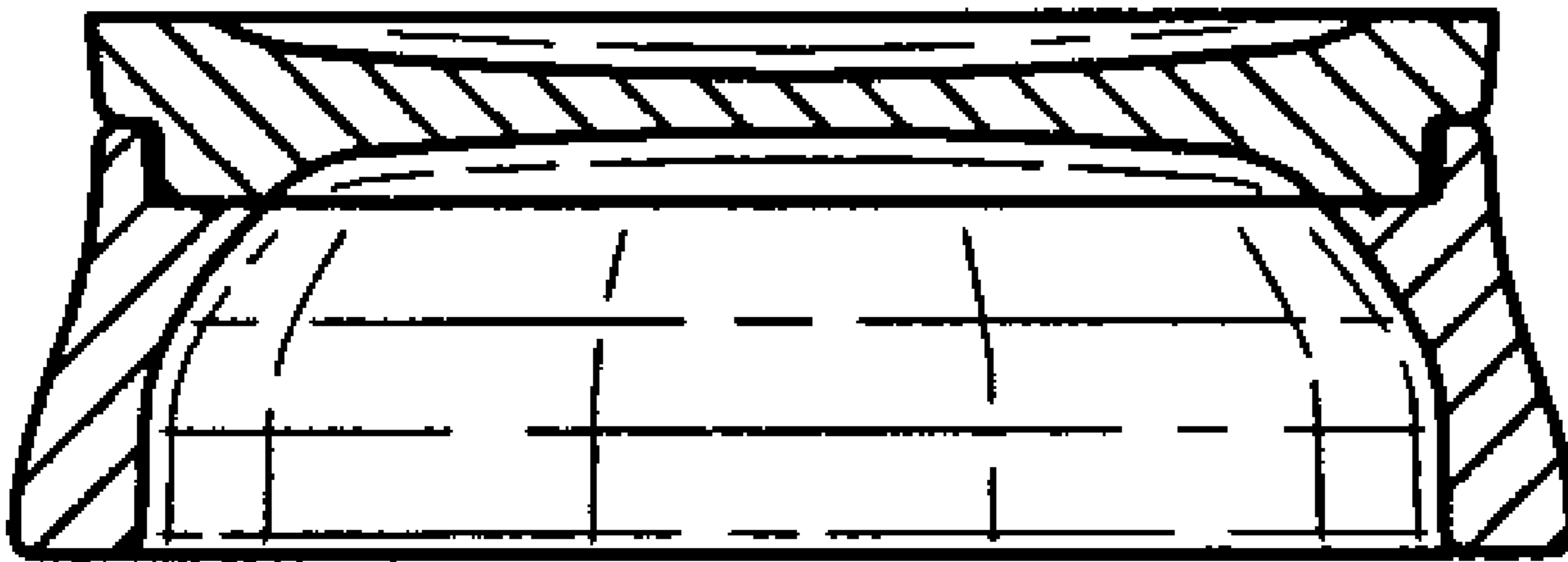


FIG - 6