



US00D623891S

(12) **United States Design Patent**  
**Huang et al.**

(10) **Patent No.:** **US D623,891 S**  
(45) **Date of Patent:** **\*\* Sep. 21, 2010**

(54) **MIXING APPARATUS BASE**

(75) Inventors: **Joseph C. Huang**, Dayton, OH (US);  
**Brian R. Kadel**, Dayton, OH (US);  
**Thomas S. Donthnier**, Vandalia, OH  
(US); **William C. Sanders**, Springboro,  
OH (US); **John C. Baron**, Tipp City, OH  
(US); **Jeffrey T. DeBord**, Worthington,  
OH (US); **Ryan R. Berger**, Columbus,  
OH (US)

D111,616 S 10/1938 Rosengren  
D116,747 S 9/1939 Meeker et al.  
2,306,245 A 12/1942 Duke  
D163,423 S 5/1951 Schimanski  
D180,952 S 9/1957 Kaempf  
2,931,232 A \* 4/1960 Martin ..... 74/16  
4,822,172 A 4/1989 Stottmann

(73) Assignee: **Premark FEG L.L.C.**, Wilmington, DE  
(US)

(Continued)

(\*\*) Term: **14 Years**

*Primary Examiner*—Stella M Reid  
*Assistant Examiner*—Ricky Pham  
(74) *Attorney, Agent, or Firm*—Thompson Hine LLP

(21) Appl. No.: **29/357,759**

(22) Filed: **Mar. 17, 2010**

(57) **CLAIM**

**Related U.S. Application Data**

The ornamental design for a mixing apparatus base, as shown and described.

(62) Division of application No. 29/341,195, filed on Jul. 31, 2009, now Pat. No. Des. 615,348, which is a division of application No. 29/334,239, filed on Mar. 23, 2009, now Pat. No. Des. 603,214.

**DESCRIPTION**

(51) **LOC (9) Cl.** ..... **31-00**  
(52) **U.S. Cl.** ..... **D7/379; D7/376**  
(58) **Field of Classification Search** ..... D7/317–318,  
D7/356, 372–386, 412–415, 665; 74/16;  
99/348, 509–511; 241/30–37.5, 101.01–101.2,  
241/166–169.1, 274–278.2, 285.1–285.3,  
241/291, 292.1; 366/64–67, 98, 129, 142,  
366/192, 197–211, 241–254, 279–292, 341–347  
See application file for complete search history.

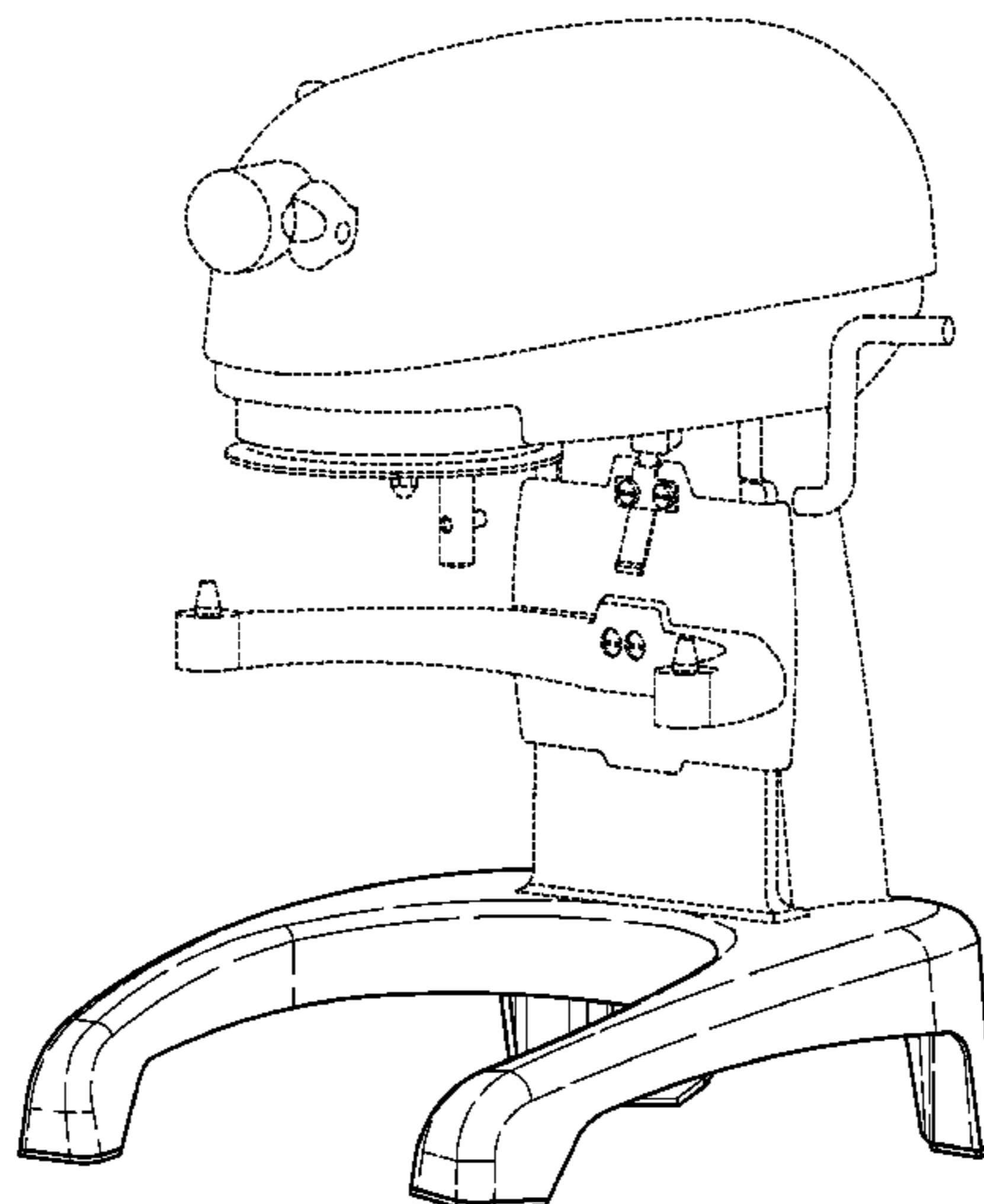
FIG. 1 is a perspective view of a mixing apparatus base;  
FIG. 2 is another perspective view of the mixing apparatus base of FIG. 1;  
FIG. 3 is a side view of the mixing apparatus base of FIG. 1;  
FIG. 4 is a front view of the mixing apparatus base of FIG. 1;  
FIG. 5 is another side view of the mixing apparatus base of FIG. 1;  
FIG. 6 is a rear view of the mixing apparatus base of FIG. 1;  
and,  
FIG. 7 is a top view of the mixing apparatus base of FIG. 1.  
The broken lines shown in the drawings are for illustrative purposes only and form no part of the claimed design.

(56) **References Cited**

**U.S. PATENT DOCUMENTS**

1,428,704 A 9/1922 Gunther  
1,562,704 A 11/1925 Kevan  
1,767,002 A 6/1930 Meeker  
2,024,282 A 12/1935 Geiger

**1 Claim, 7 Drawing Sheets**



# US D623,891 S

Page 2

## U.S. PATENT DOCUMENTS

4,893,942 A	1/1990	Stottmann	7,273,315 B2	9/2007	Huang et al.
4,900,160 A	2/1990	Brooks et al.	D564,297 S	3/2008	Short et al.
D322,009 S	12/1991	Doggett	D564,298 S	3/2008	Short et al.
D322,010 S	12/1991	Doggett	7,384,187 B2	6/2008	Blackburn et al.
5,348,393 A	9/1994	Pappas, Jr.	7,387,430 B2	6/2008	Short et al.
D362,994 S	10/1995	Ratermann et al.	7,438,463 B2	10/2008	Schnipke et al.
5,472,276 A *	12/1995	Ratermann et al. .... 366/203	D582,203 S	12/2008	Short et al.
5,533,806 A	7/1996	Veltrop et al.	D583,189 S *	12/2008	Short et al. .... D7/376
5,660,469 A *	8/1997	Seguin ..... 366/347	D583,618 S	12/2008	Blackburn et al.
D394,781 S	6/1998	Doggett	D584,916 S	1/2009	Christou
D400,759 S	11/1998	Doggett	D603,214 S *	11/2009	Huang et al. .... D7/379
5,860,738 A	1/1999	Brinkman	7,690,835 B2 *	4/2010	Schnipke et al. .... 366/207
6,068,398 A	5/2000	Lin	D615,348 S *	5/2010	Huang et al. .... D7/379
D459,145 S	6/2002	Short	2002/0093877 A1	7/2002	Brunswick et al.
D468,581 S	1/2003	Short	2002/0181322 A1	12/2002	Brunswick et al.
D482,564 S	11/2003	Short	2004/0022124 A1	2/2004	Yoshioka
D489,936 S	5/2004	Smith	2004/0120213 A1 *	6/2004	Short et al. .... 366/197
D490,271 S	5/2004	Short et al.	2004/0120215 A1	6/2004	Huang et al.
6,883,959 B2	4/2005	Donthnier et al.	2004/0120216 A1	6/2004	Donthnier et al.
6,953,278 B2	10/2005	Short et al.	2004/0208082 A1	10/2004	Huang et al.
7,014,354 B2	3/2006	Donthnier et al.	2005/0141340 A1	6/2005	Donthnier et al.
D540,113 S	4/2007	Short et al.	2006/0198240 A1	9/2006	Short et al.

\* cited by examiner

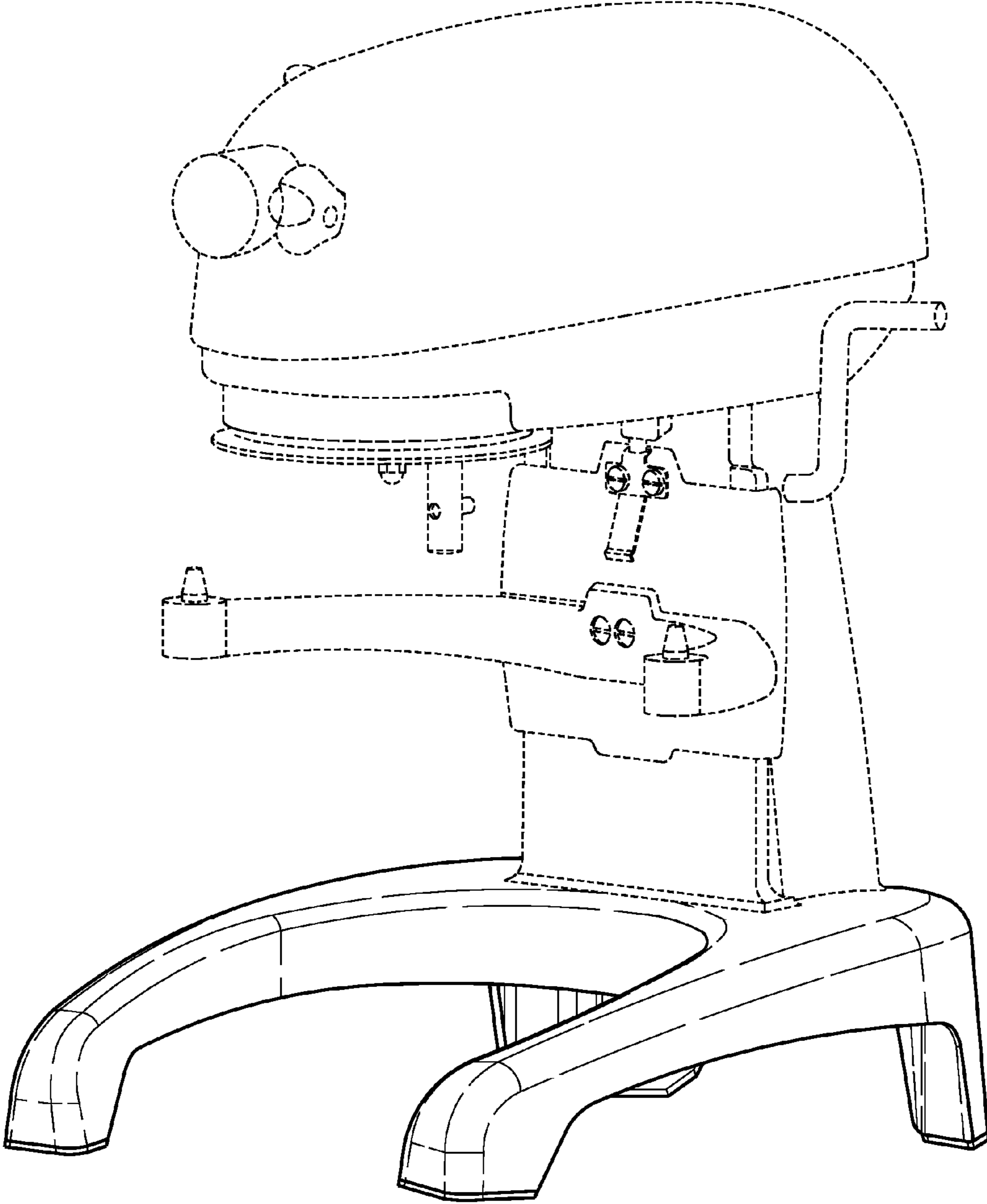


Fig. 1

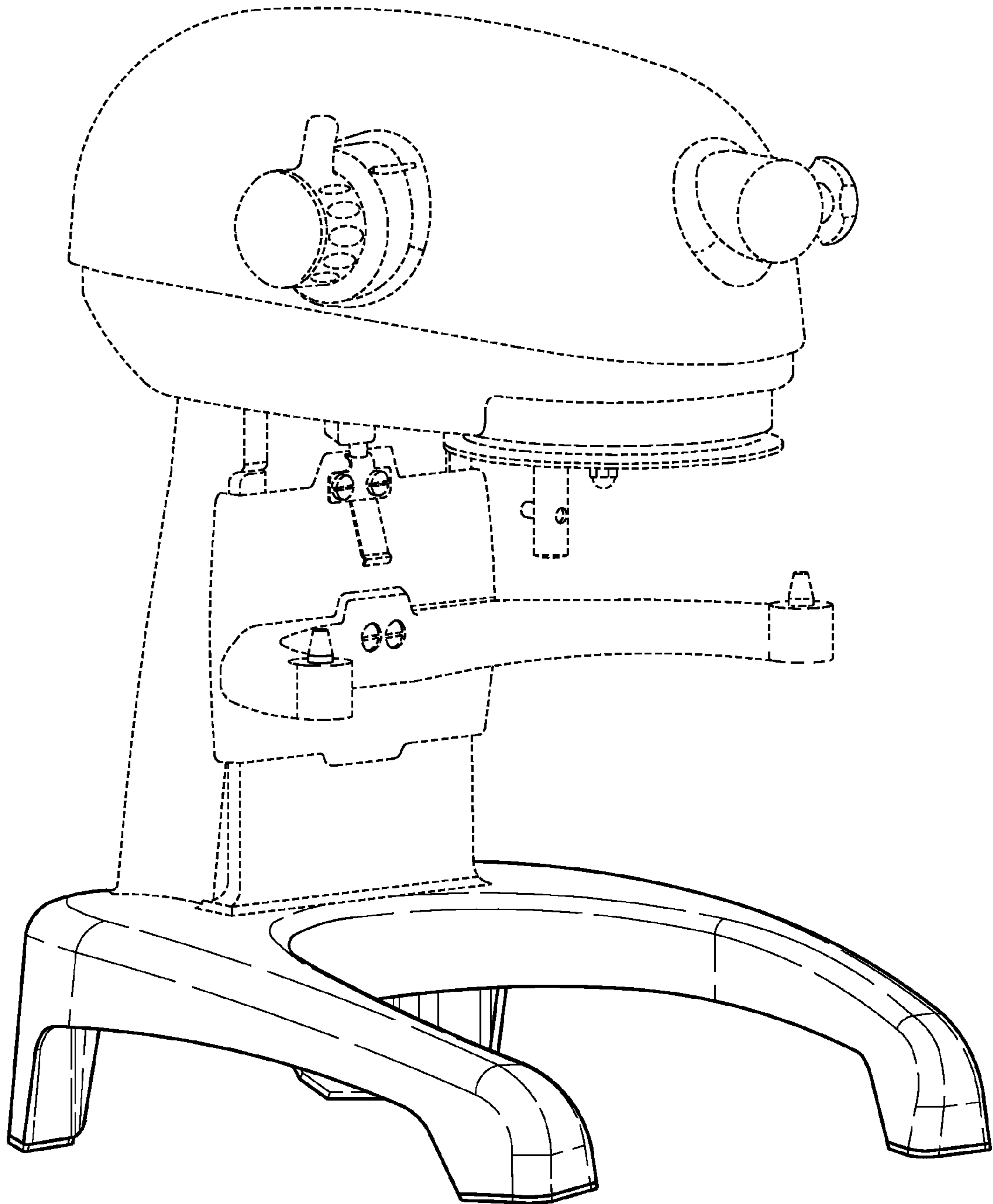
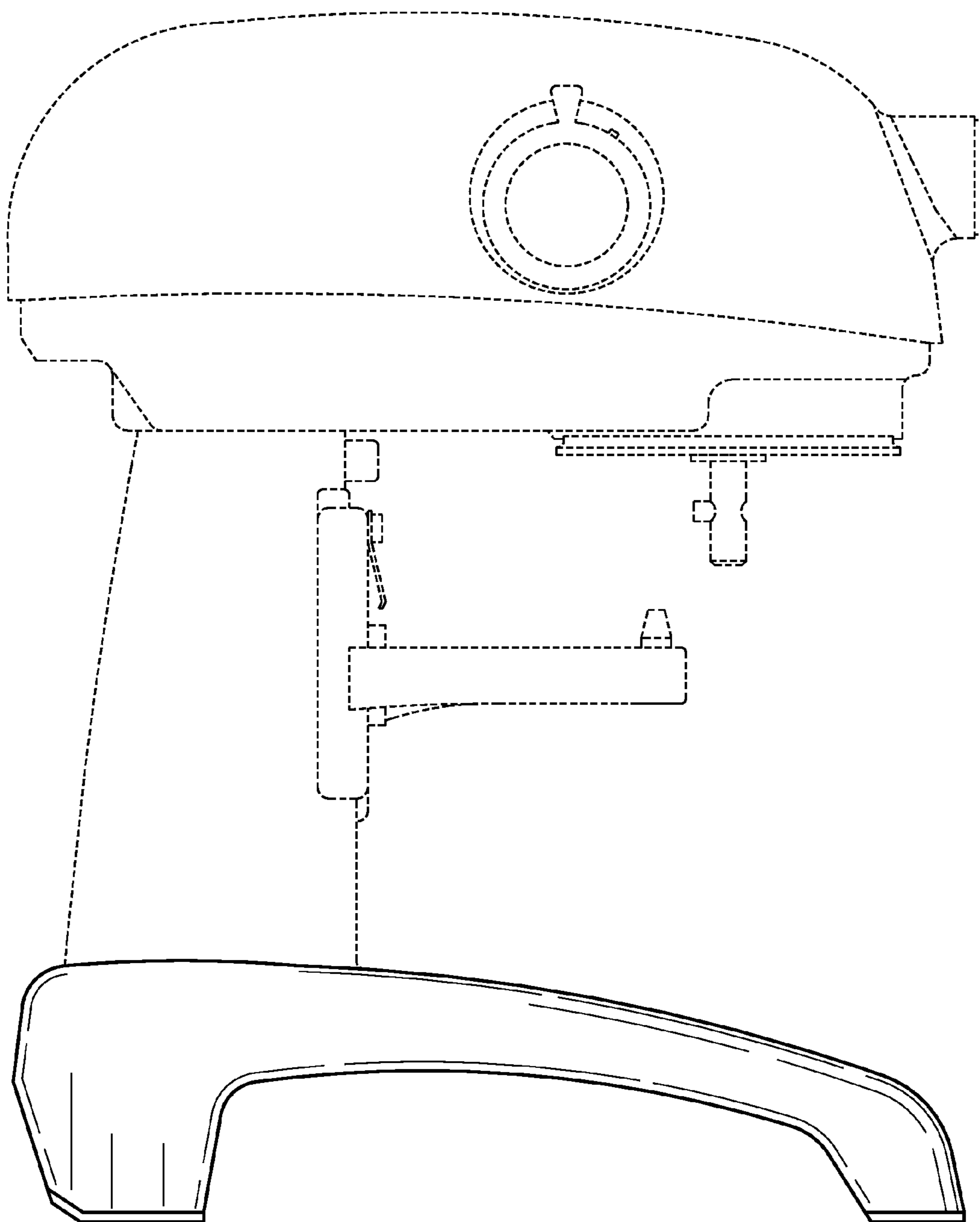
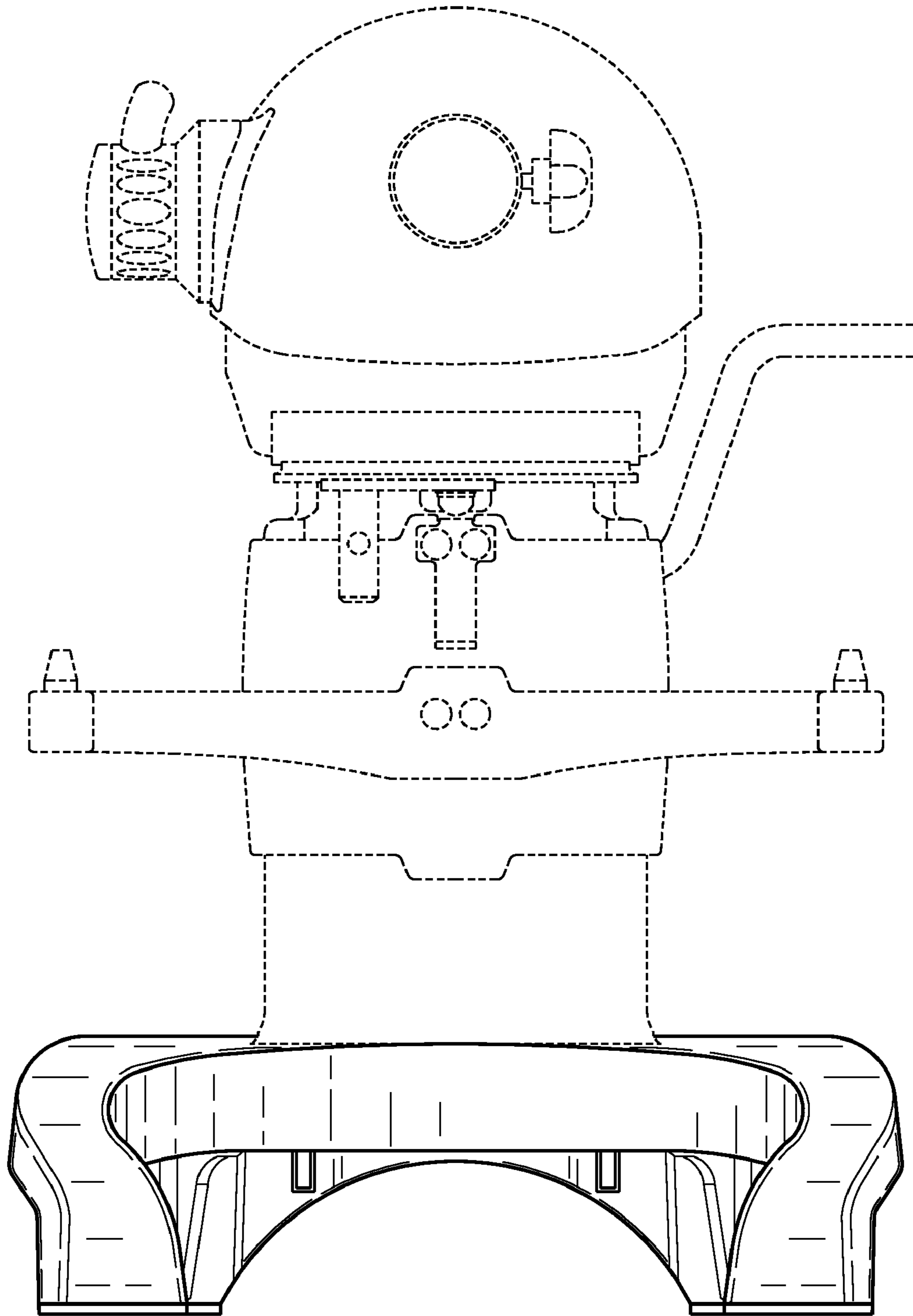


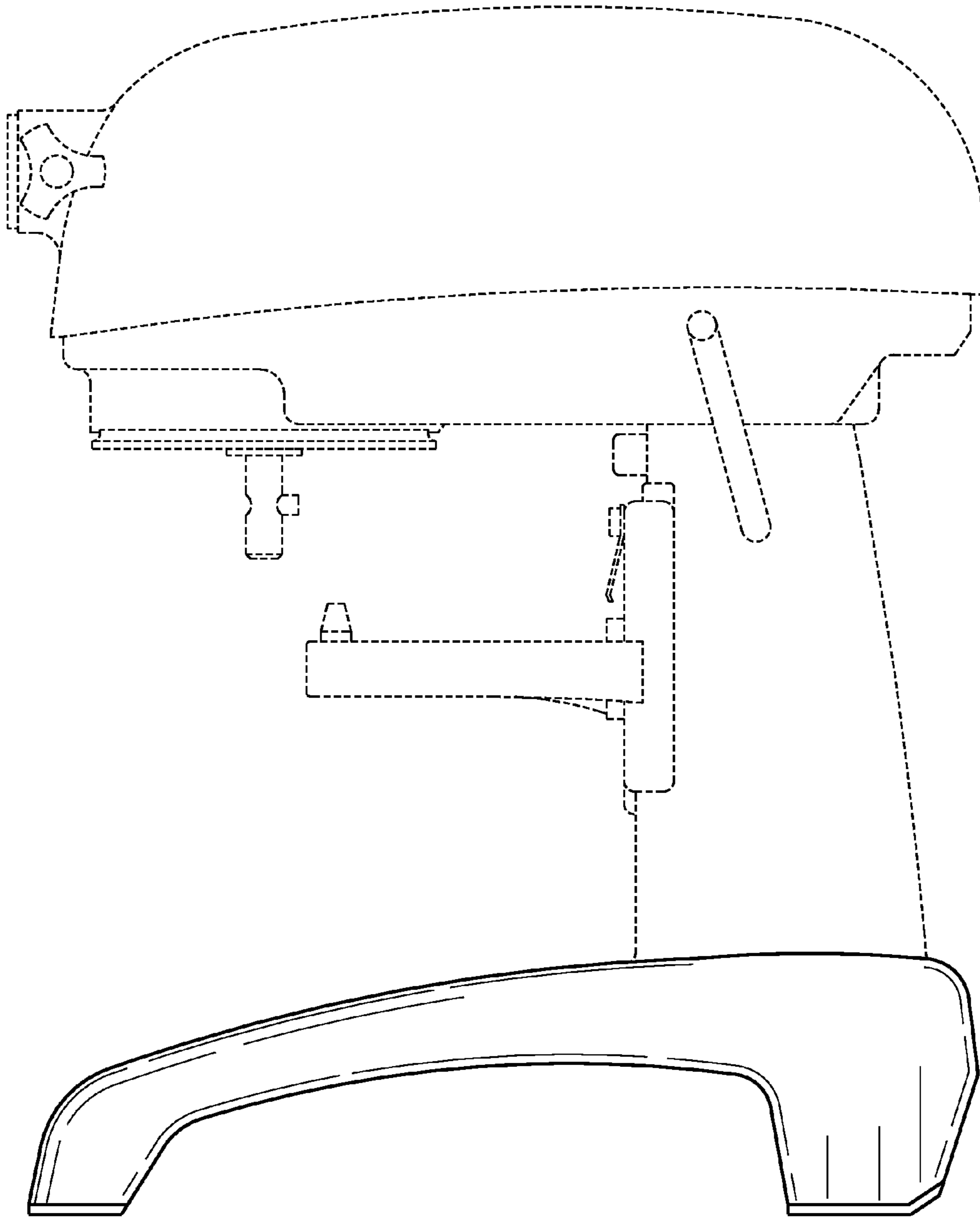
Fig. 2



*Fig. 3*



*Fig. 4*



*Fig. 5*

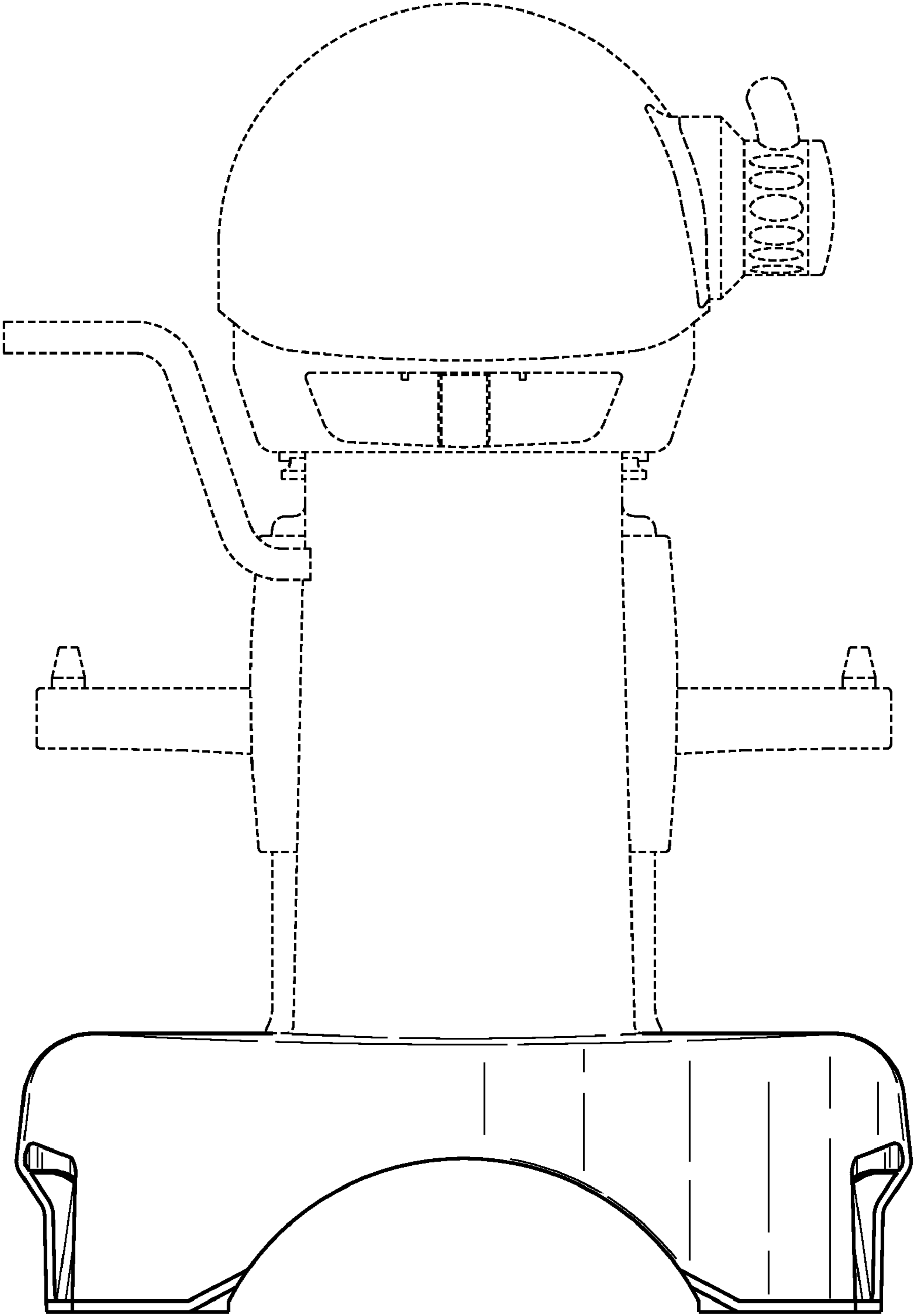
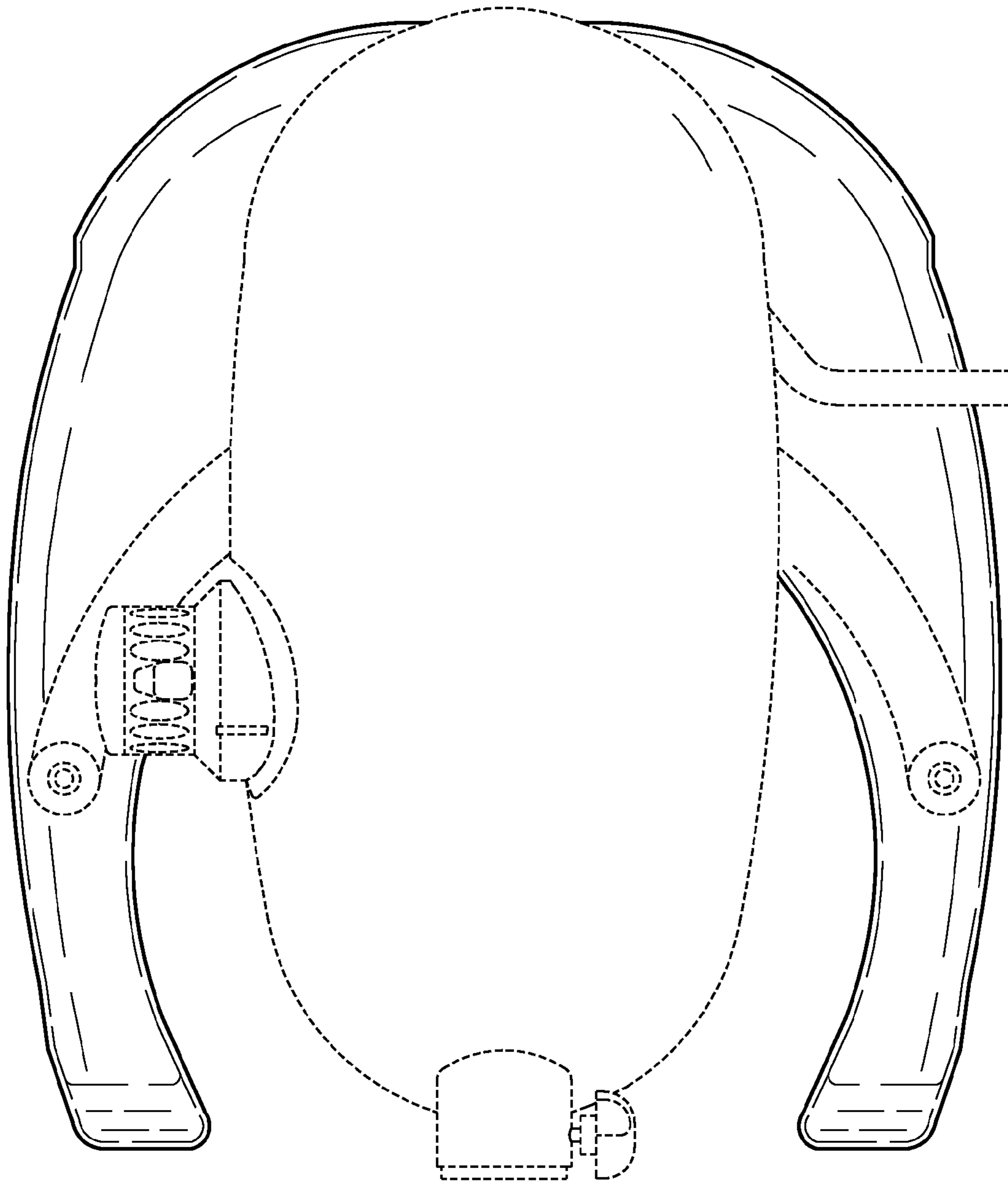


Fig. 6





*Fig. 7*