



US00D623890S

(12) **United States Design Patent**
Metaxatos et al.

(10) **Patent No.:** **US D623,890 S**

(45) **Date of Patent:** **** Sep. 21, 2010**

(54) **QUAD BLADE MIXER**

(75) Inventors: **Paul Metaxatos**, Charlestown, MA
(US); **Andrea Stavrinou**, Brighton, MA
(US); **Dann Provolo**, Barrington, RI
(US)

(73) Assignee: **Euro-Pro Operating LLC**, Newton,
MA (US)

(**) Term: **14 Years**

(21) Appl. No.: **29/340,952**

(22) Filed: **Jul. 28, 2009**

(51) **LOC (9) Cl.** **31-00**

(52) **U.S. Cl.** **D7/376**

(58) **Field of Classification Search** D7/317-318,
D7/356, 372-386, 412-415, 665; 99/348,
99/509-511; 241/30-37.5, 101.01-101.2,
241/166-169.1, 274-278.2, 285.1-285.3,
241/291, 292.1; 366/64-67, 98, 129, 142,
366/192, 197-211, 241-254, 279-292, 341-347
See application file for complete search history.

(56) **References Cited**

U.S. PATENT DOCUMENTS

D320,326 S * 10/1991 Barrault D7/384

D320,717 S * 10/1991 O'Brien D7/384
D339,716 S * 9/1993 Barrault D7/383
D366,595 S * 1/1996 Dobson et al. D7/384
D372,835 S * 8/1996 Leverrier D7/372
D390,745 S * 2/1998 Leverrier D7/381

* cited by examiner

Primary Examiner—Caron Veynar

Assistant Examiner—Ricky Pham

(74) *Attorney, Agent, or Firm*—Wolf, Greenfield & Sacks,
P.C.

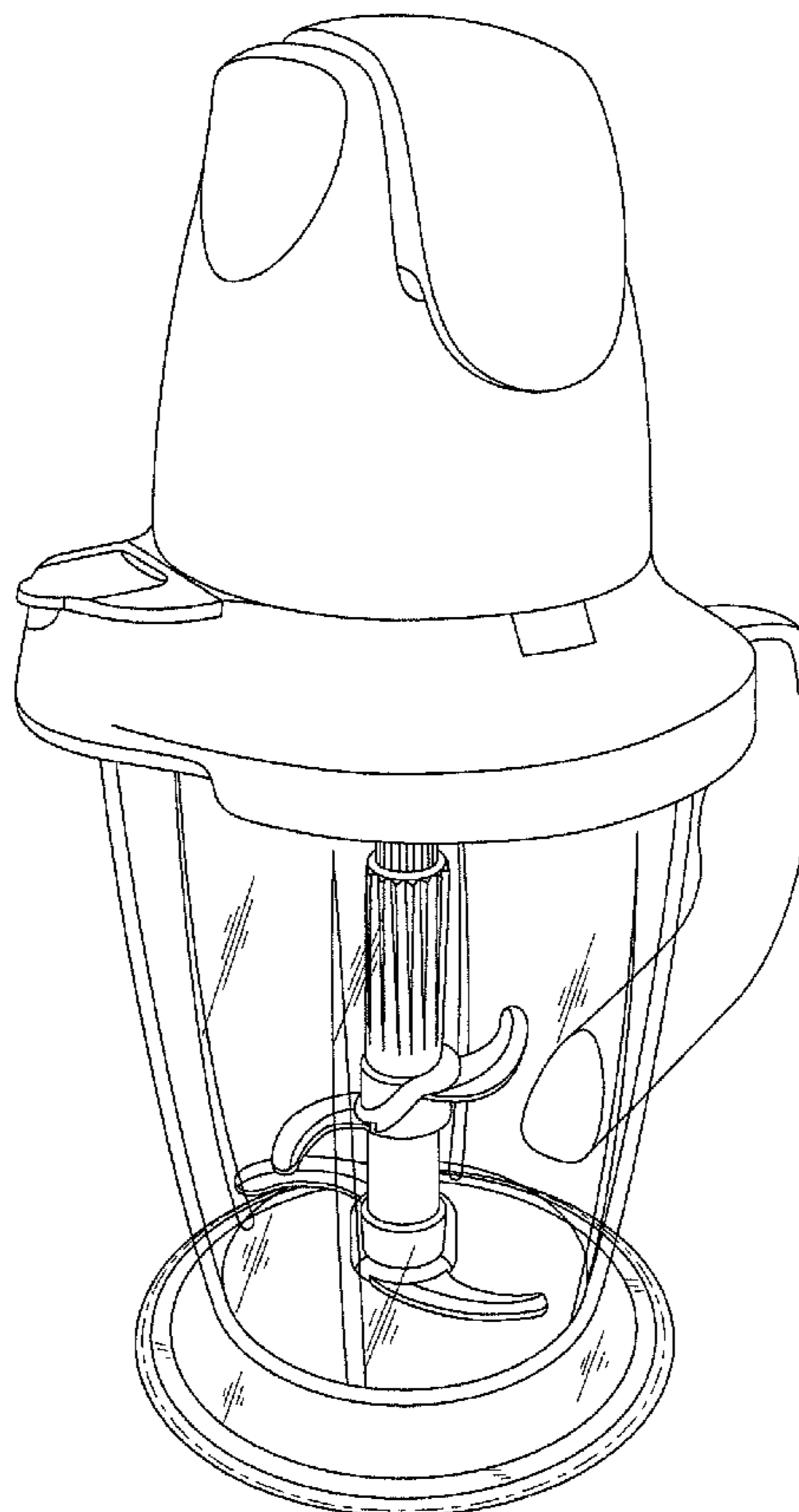
(57) **CLAIM**

The ornamental design for a quad blade mixer, as shown and described.

DESCRIPTION

FIG. 1 is a front left side perspective view of a quad blade mixer showing our new design;
FIG. 2 is a top plan view thereof;
FIG. 3 is a left side elevational view thereof;
FIG. 4 is a rear elevational view thereof;
FIG. 5 is a front elevational view thereof;
FIG. 6 is a right side elevational view thereof; and,
FIG. 7 is a bottom plan view thereof.

1 Claim, 7 Drawing Sheets



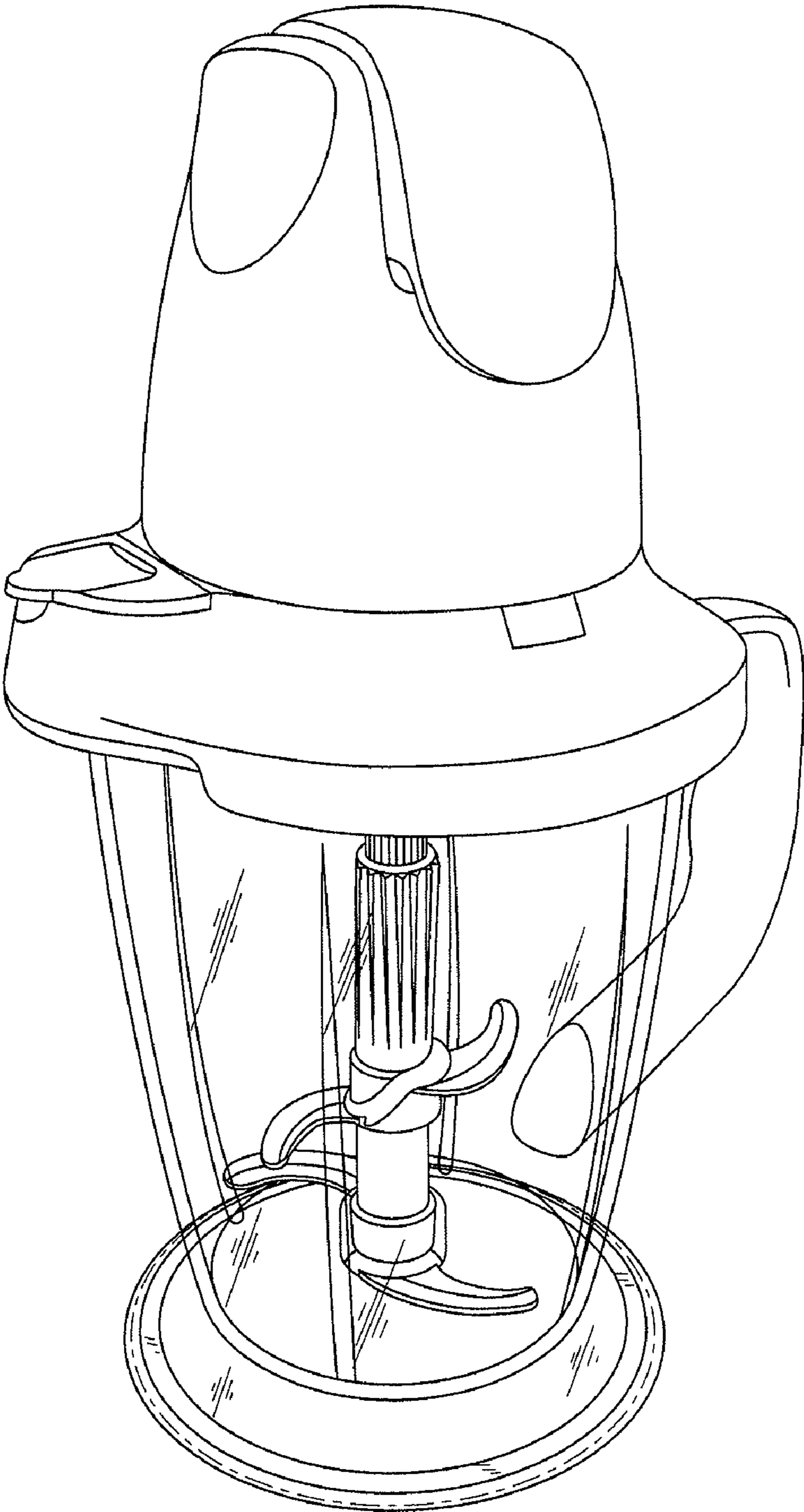


FIG. 1

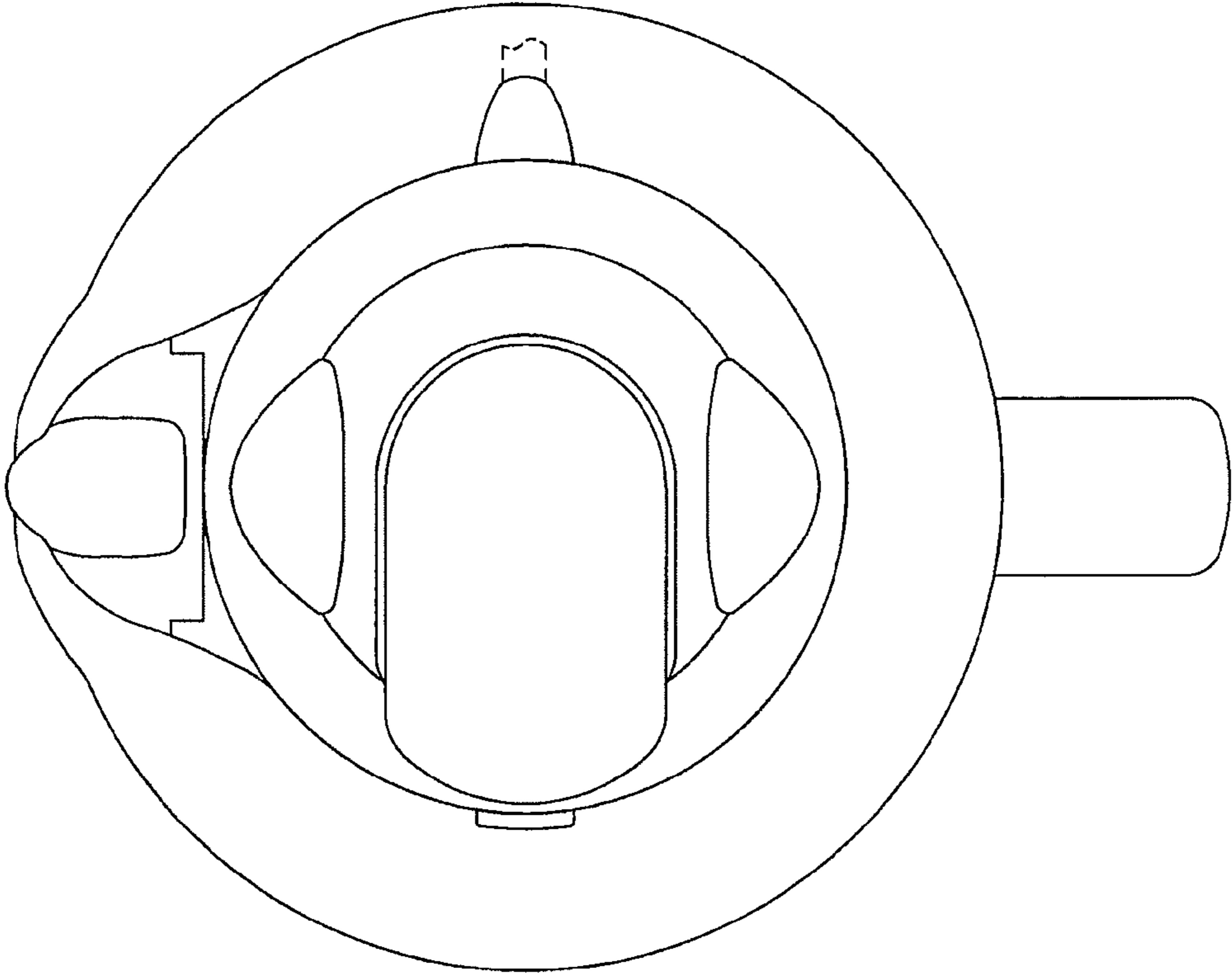


FIG.2

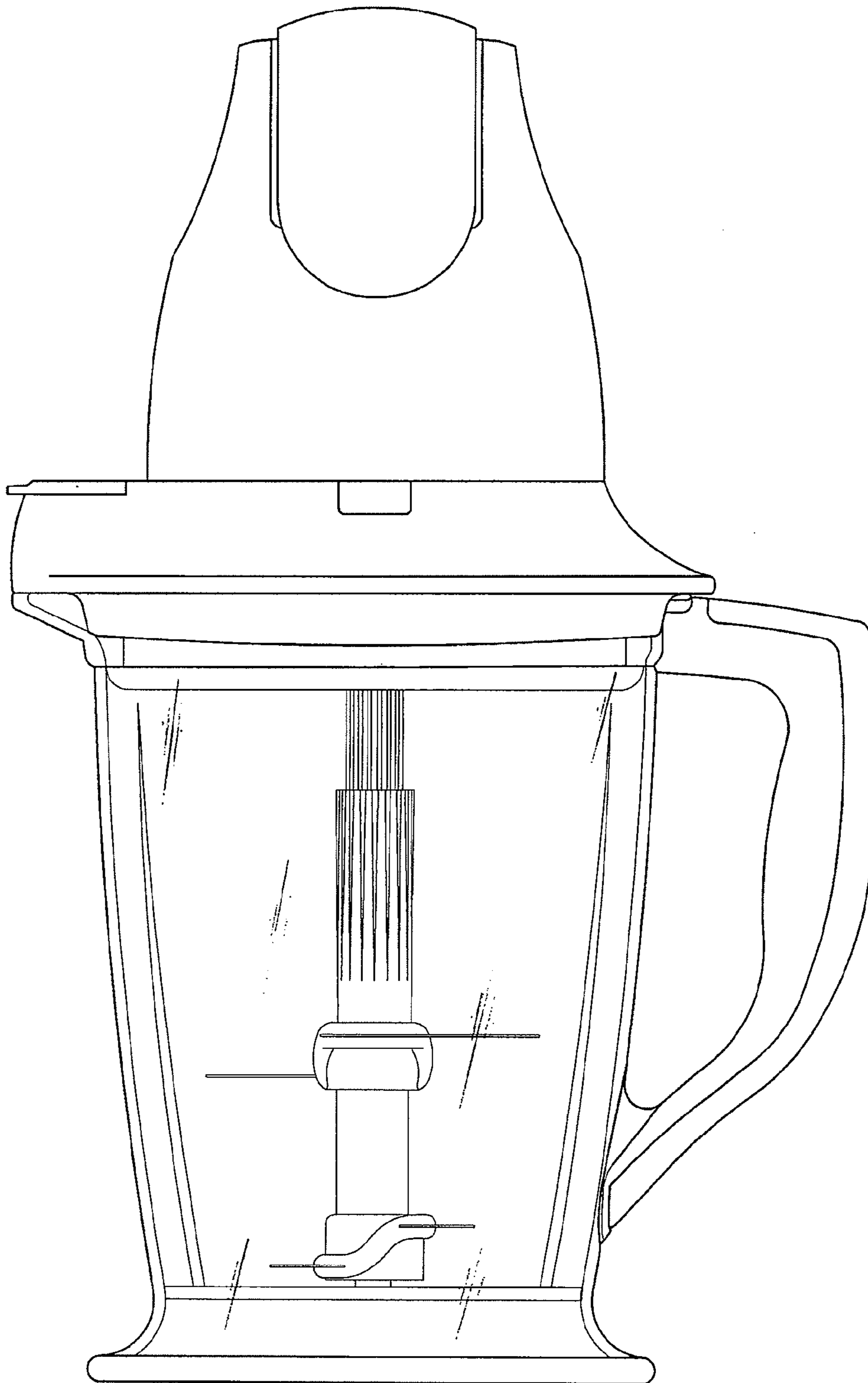


FIG.3

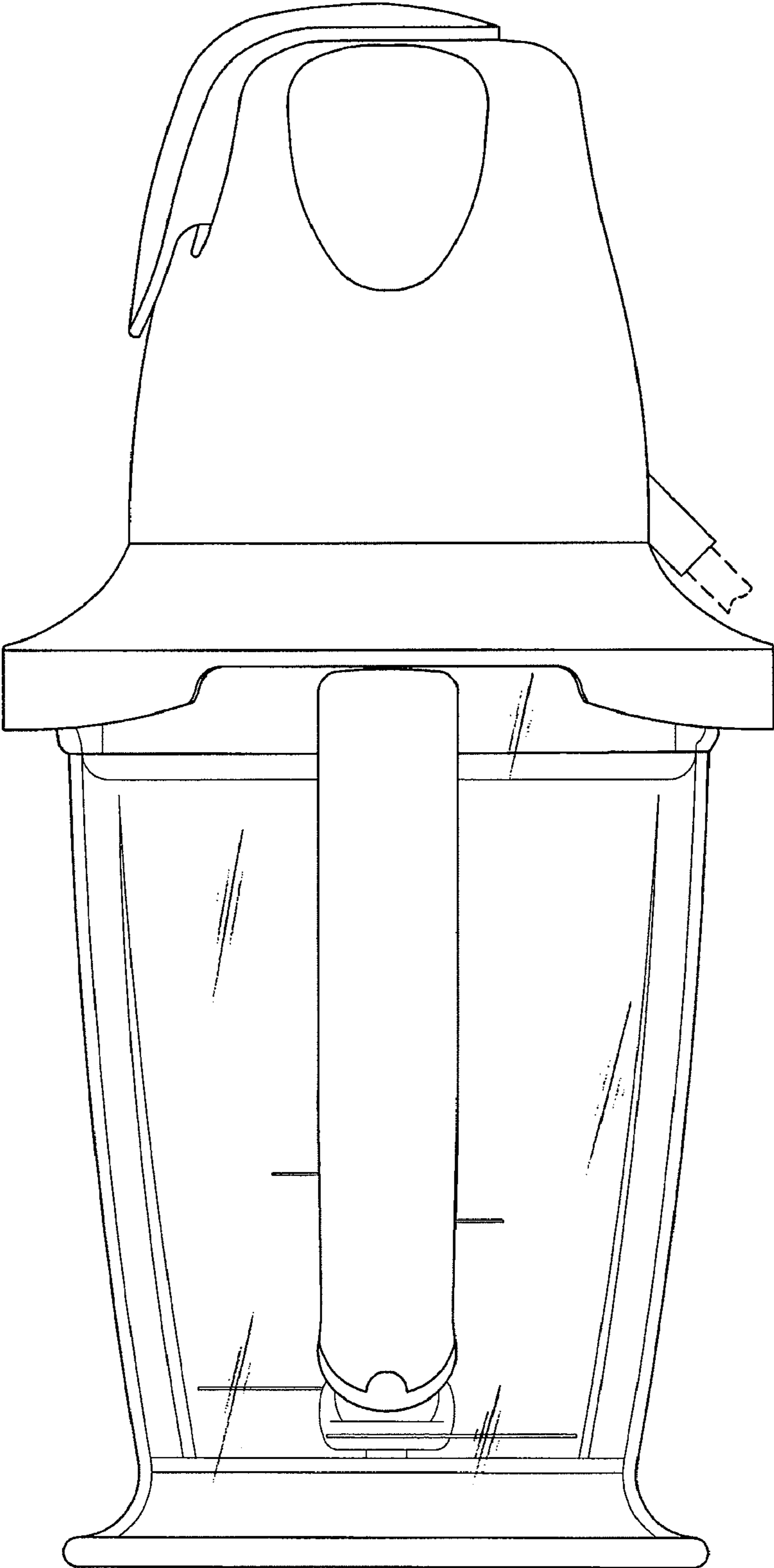


FIG.4

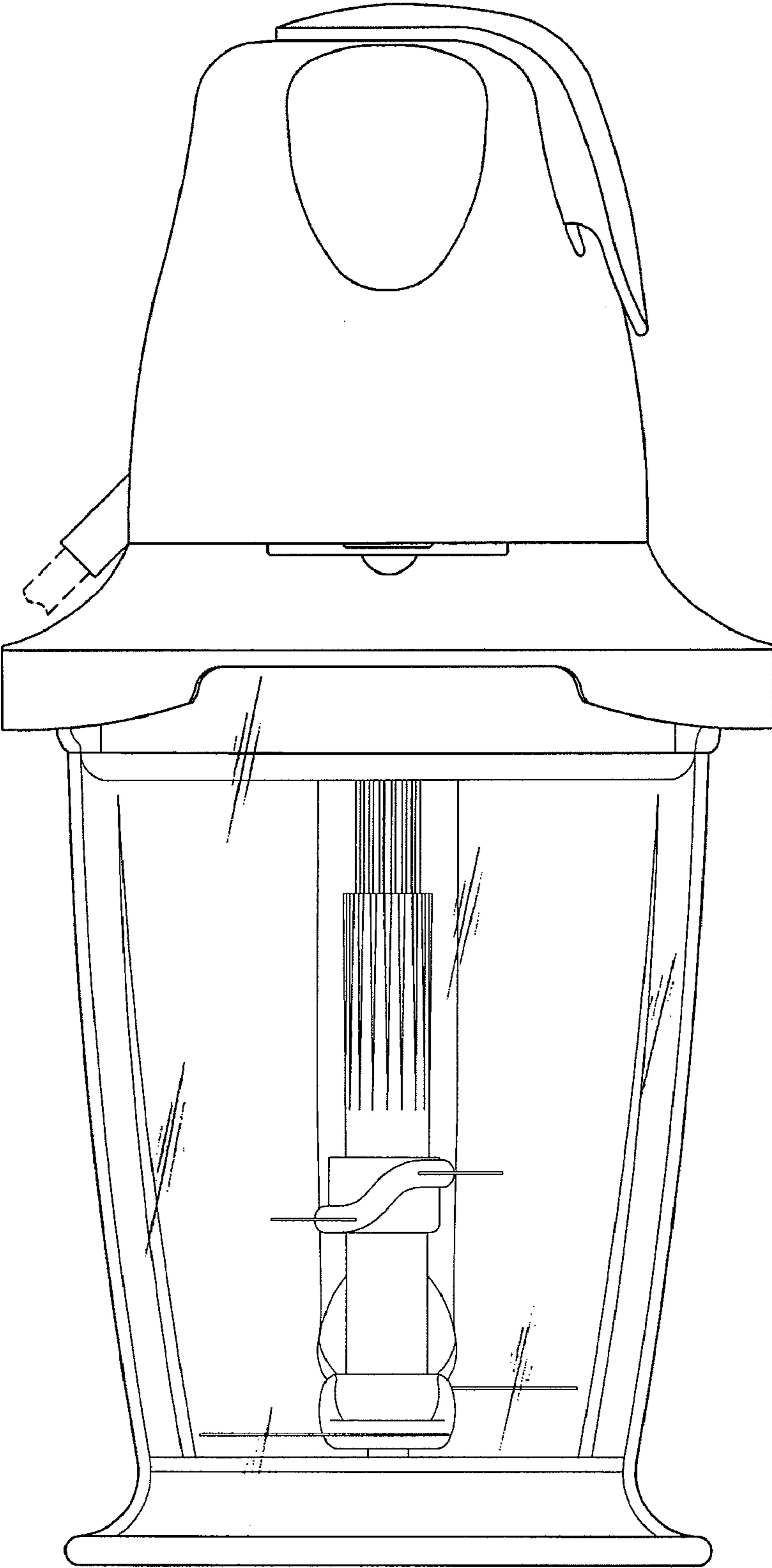


FIG.5

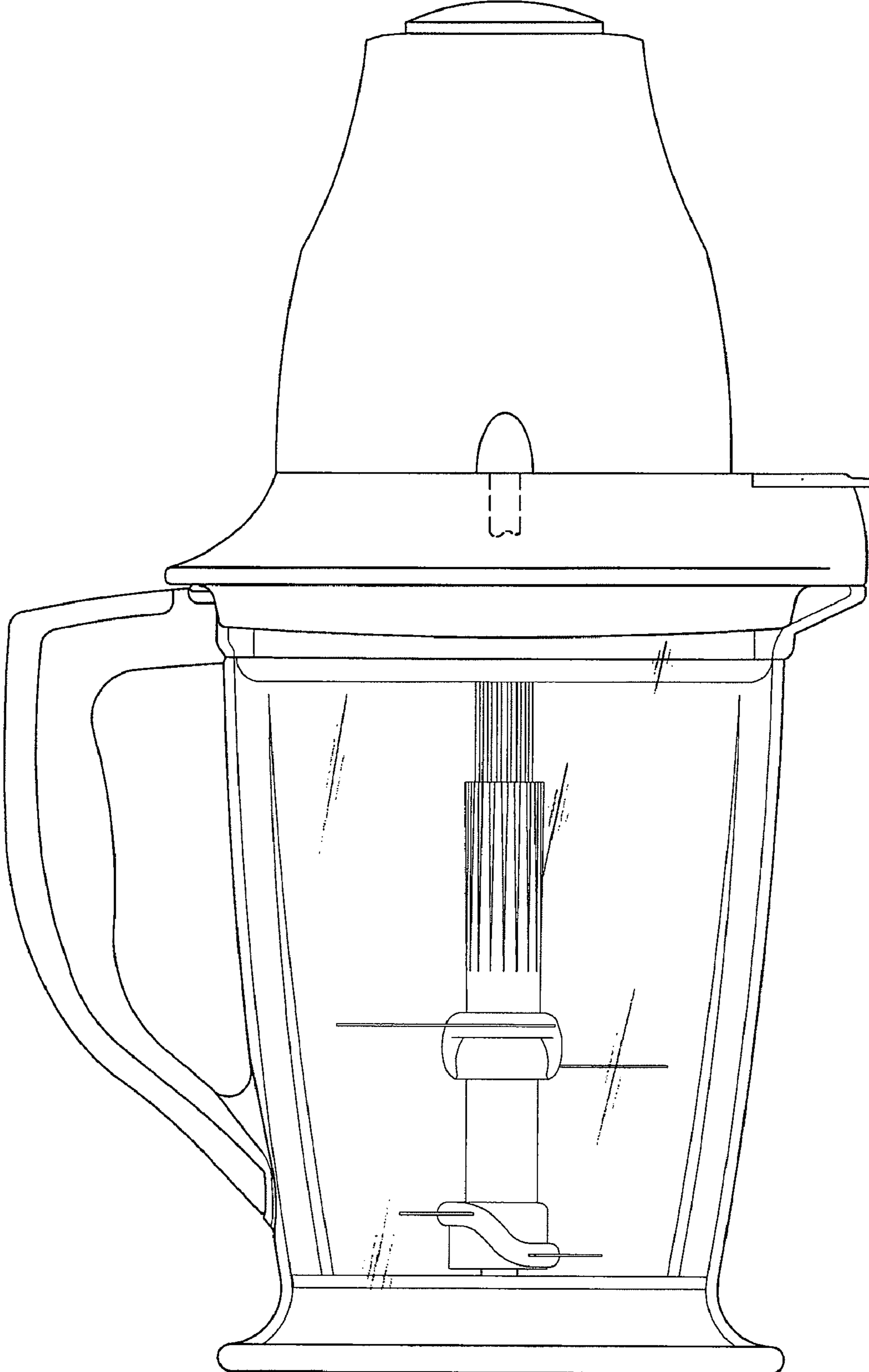


FIG. 6

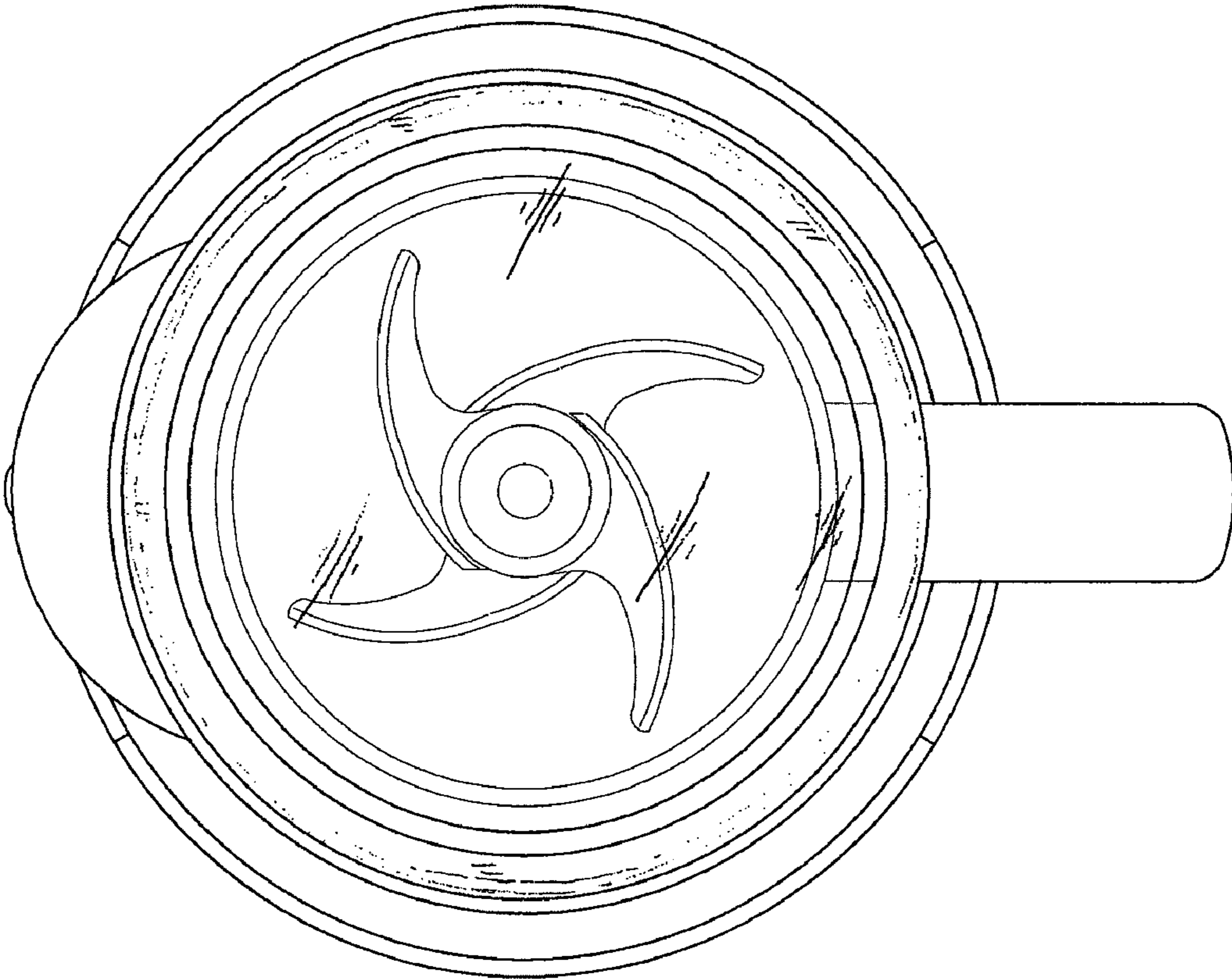


FIG.7