



US00D623889S

(12) **United States Design Patent**
Kim et al.

(10) **Patent No.:** **US D623,889 S**

(45) **Date of Patent:** **** Sep. 21, 2010**

(54) **OVEN RANGE**

D541,577 S * 5/2007 Kim D7/340

D542,079 S * 5/2007 Kim D7/340

D610,863 S * 3/2010 Kim et al. D7/340

(75) Inventors: **Su Yeon Kim**, Seoul (KR); **Kyoung Ha Lee**, Busan (KR); **Na Jung Cho**, Seoul (KR); **Kyung A Lee**, Seoul (KR)

* cited by examiner

(73) Assignee: **LG Electronics Inc.**, Seoul (KR)

Primary Examiner—Catherine R Oliver

(**) Term: **14 Years**

(74) *Attorney, Agent, or Firm*—Birch, Stewart, Kolasch & Birch, LLP

(21) Appl. No.: **29/357,160**

(57) **CLAIM**

(22) Filed: **Mar. 8, 2010**

The ornamental design for a oven range, as shown and described.

(30) **Foreign Application Priority Data**

Sep. 10, 2009 (KR) 30-2009-0040263

DESCRIPTION

(51) **LOC (9) Cl.** **07-02**

(52) **U.S. Cl.** **D7/340**

(58) **Field of Classification Search** D7/339–340,
D7/346–349, 402, 407–408; 126/273 A,
126/19 R, 39 C, 211, 273 R, 273 S, 275 R,
126/257 E; 219/552, 458, 460, 464, 538;
99/385, 402–403

See application file for complete search history.

FIG. 1 is a top, front, perspective view of a oven range showing our new design;

FIG. 2 is a front view thereof;

FIG. 3 is a rear view thereof;

FIG. 4 is a left side view thereof, the right side view being a mirror image thereof;

FIG. 5 is a top plan view thereof; and,

FIG. 6 is a bottom plan view thereof.

(56) **References Cited**

U.S. PATENT DOCUMENTS

D538,582 S * 3/2007 Kim et al. D7/340

1 Claim, 5 Drawing Sheets

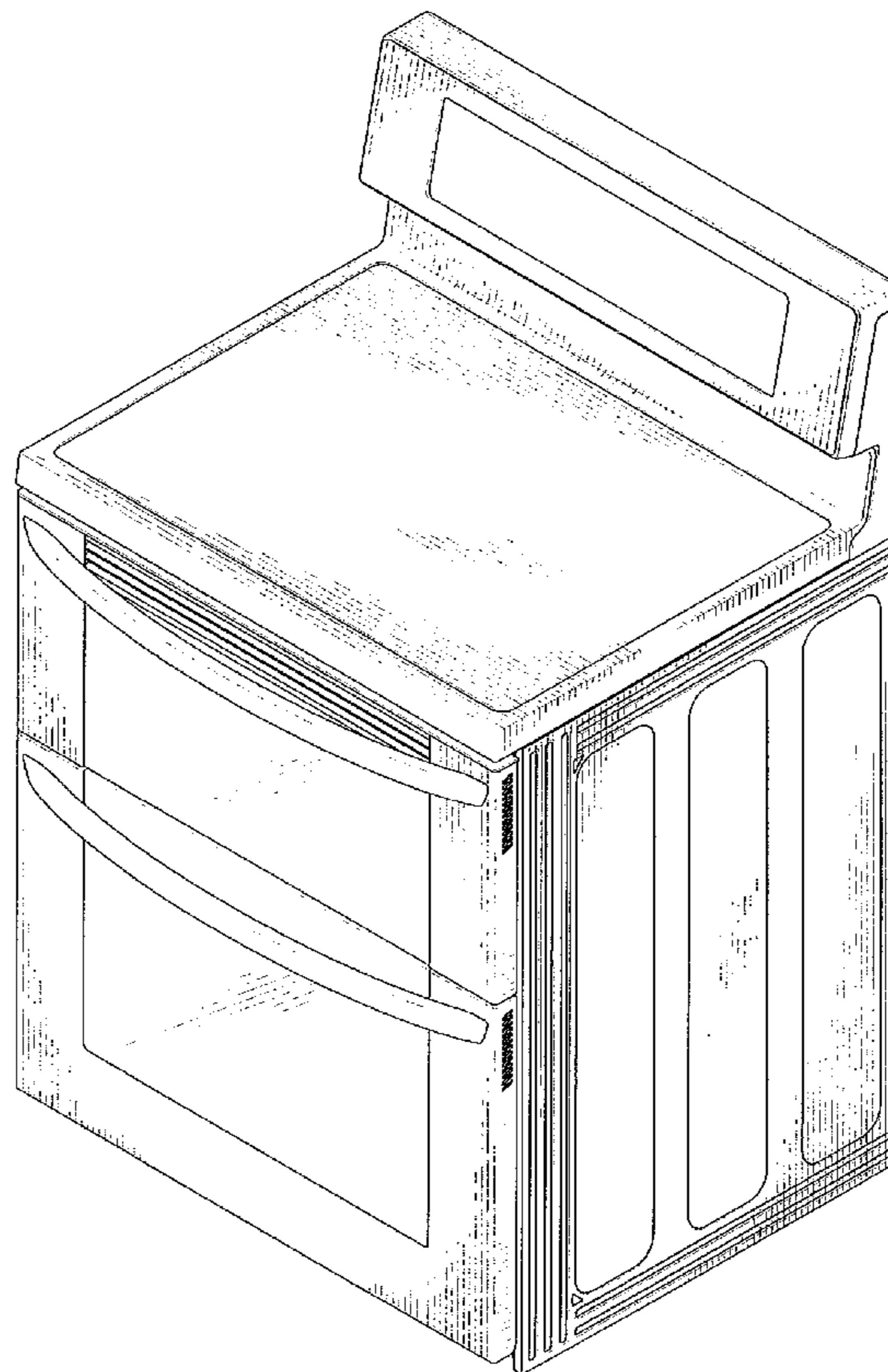


FIG. 1

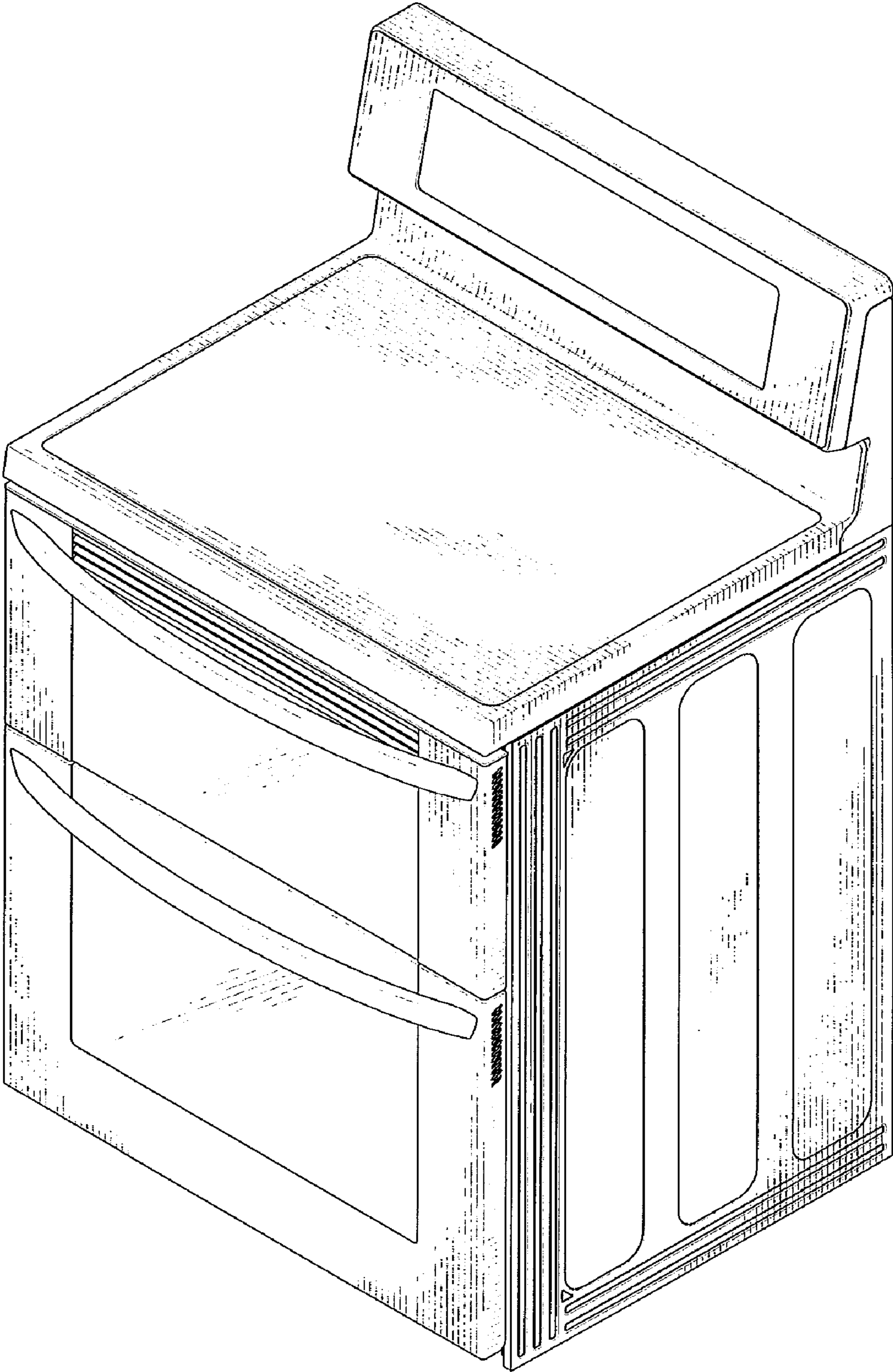


FIG. 2

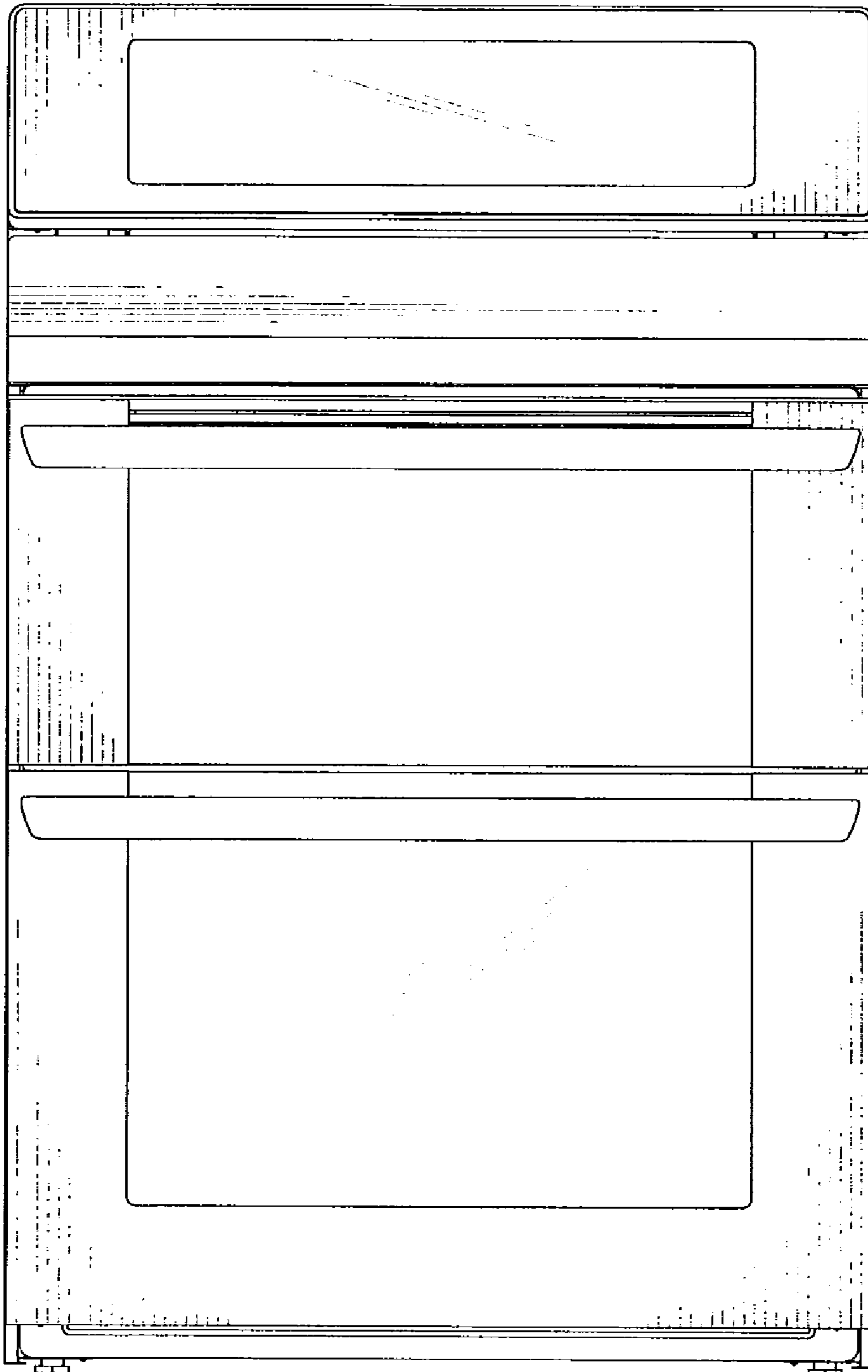


FIG. 3

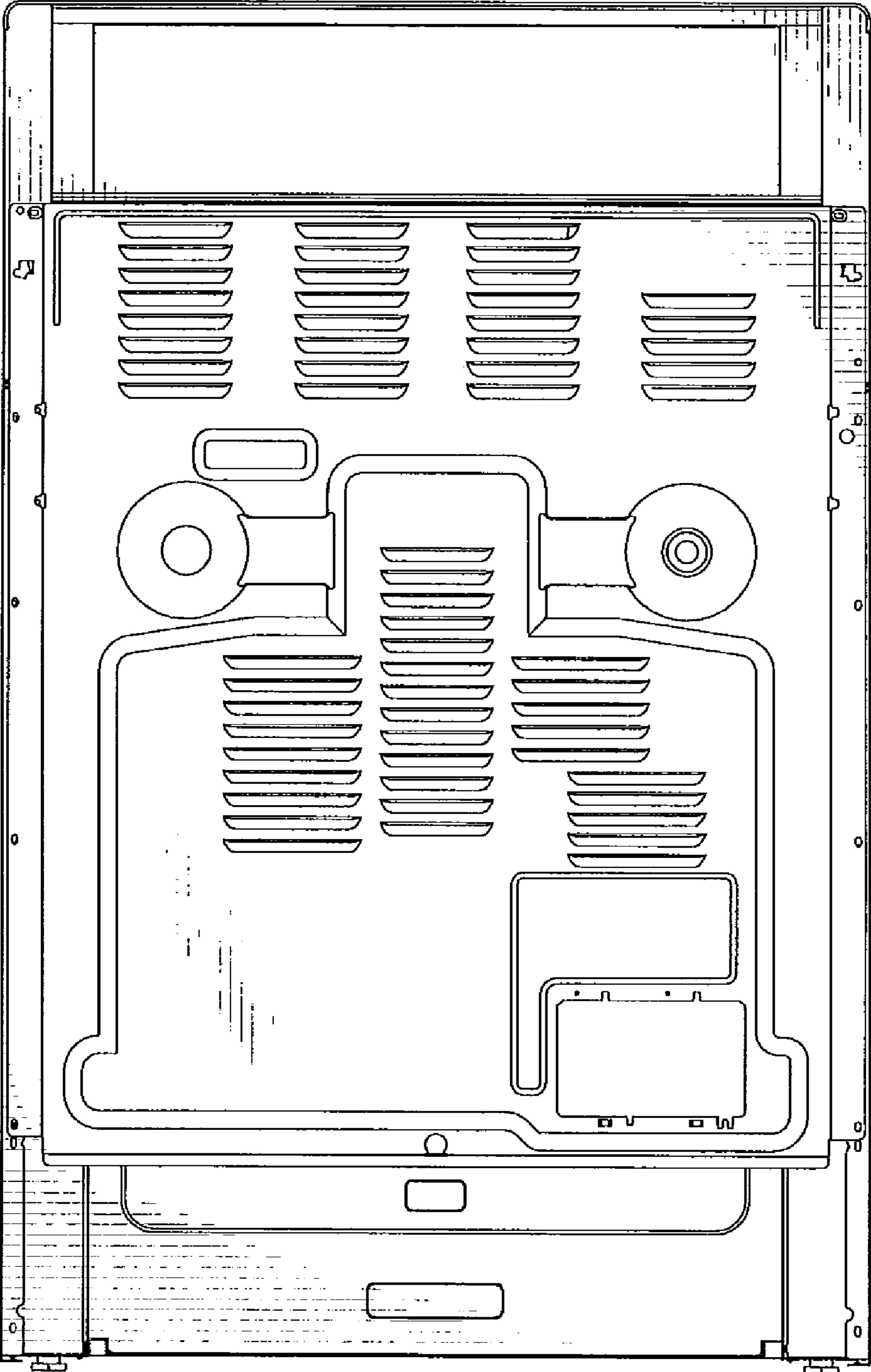


FIG. 4

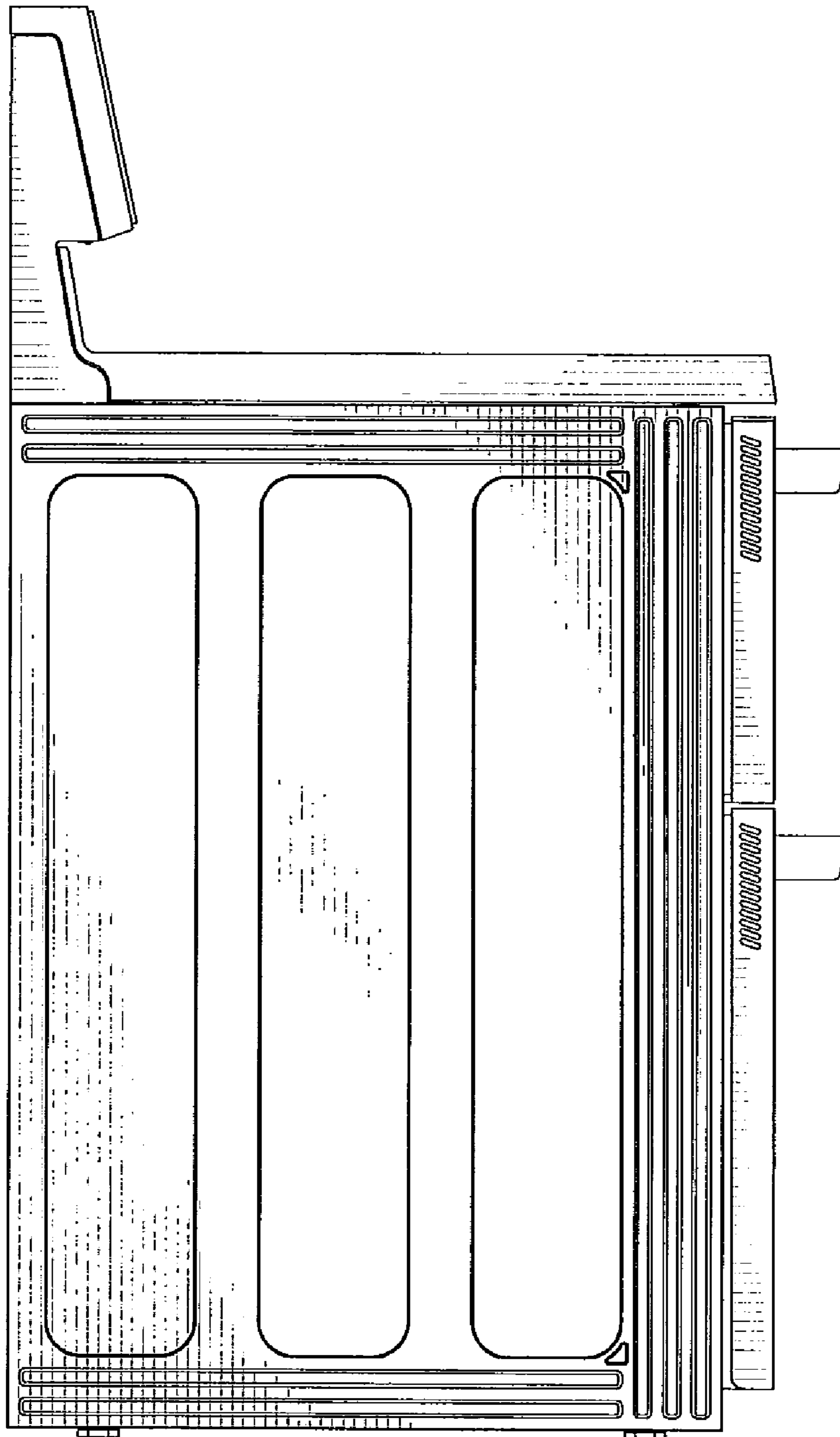


FIG. 5

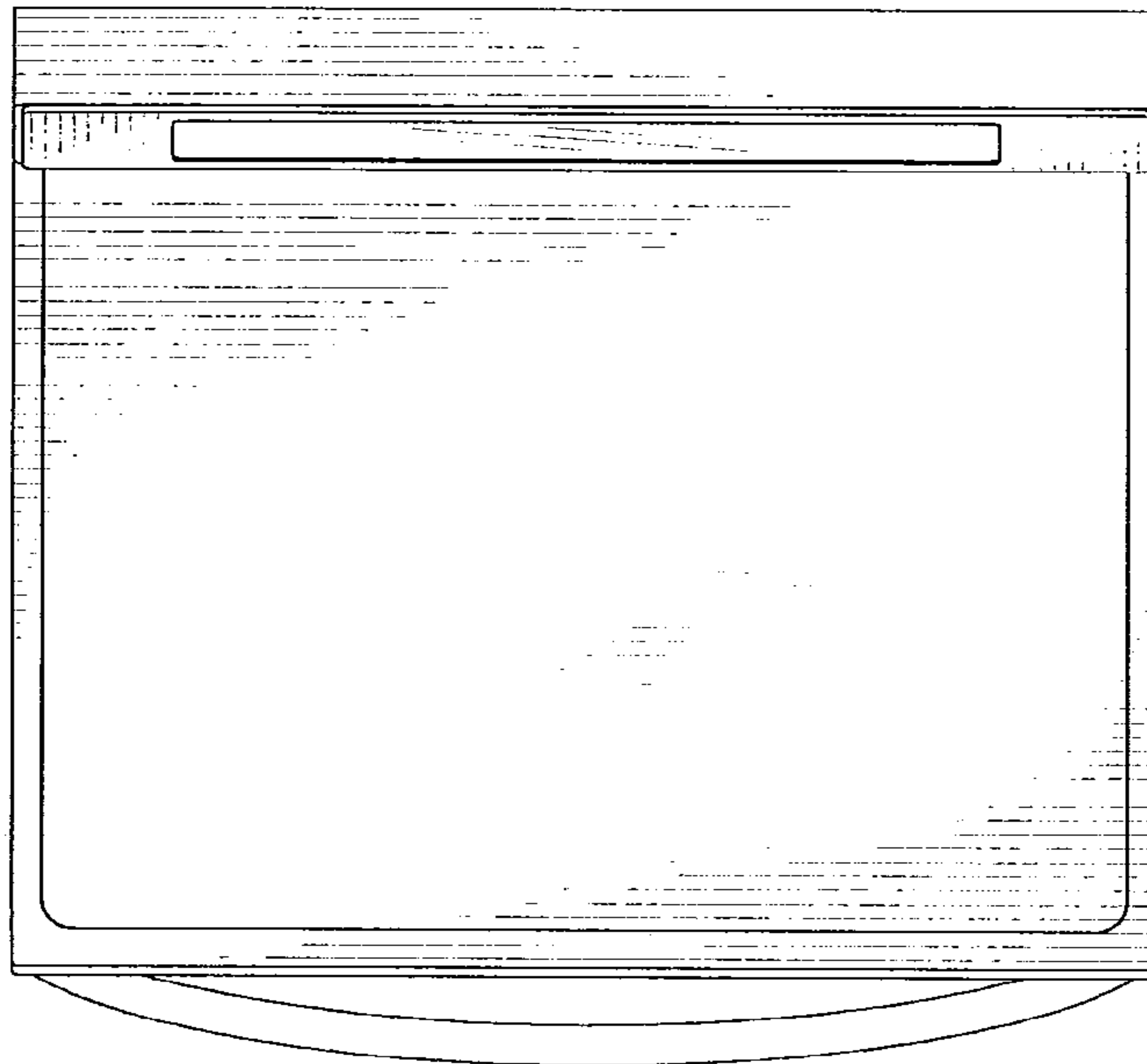


FIG. 6

