



US00D623886S

(12) **United States Design Patent**
Wadher

(10) **Patent No.:** **US D623,886 S**

(45) **Date of Patent:** **** Sep. 21, 2010**

(54) **COFFEE MAKER**

D605,454 S * 12/2009 Nicolini D7/306
D611,289 S * 3/2010 de Visser D7/309

(75) Inventor: **Mahesh J. Wadher**, Corona, CA (US)

* cited by examiner

(73) Assignee: **Infinity Hospitality Group**, Corona, CA (US)

Primary Examiner—Marianne Pandozzi

(74) *Attorney, Agent, or Firm*—Denton L. Anderson; Sheldon Mak & Anderson PC

(**) Term: **14 Years**

(57) **CLAIM**

(21) Appl. No.: **29/351,294**

The ornamental design for a coffee maker, as shown and described.

(22) Filed: **Dec. 3, 2009**

DESCRIPTION

(51) **LOC (9) Cl.** **07-01**

FIG. 1 is a perspective view of a coffee maker showing my new design;

(52) **U.S. Cl.** **D7/309; D7/306; D7/311**

FIG. 2 is a front view of the coffee maker illustrated in FIG. 1;

(58) **Field of Classification Search** D7/300,
D7/311, 306–309, 310, 397; D6/446; 222/129.1–129.4,
222/146.6; 99/300, 306, 307, 281
See application file for complete search history.

FIG. 3 is a first side view of the coffee maker illustrated in FIG. 1;

FIG. 4 is a second side view of the coffee maker illustrated in FIG. 1;

FIG. 5 is a rear view of the coffee maker illustrated in FIG. 1;

FIG. 6 is a top view of the coffee maker illustrated in FIG. 1; and,

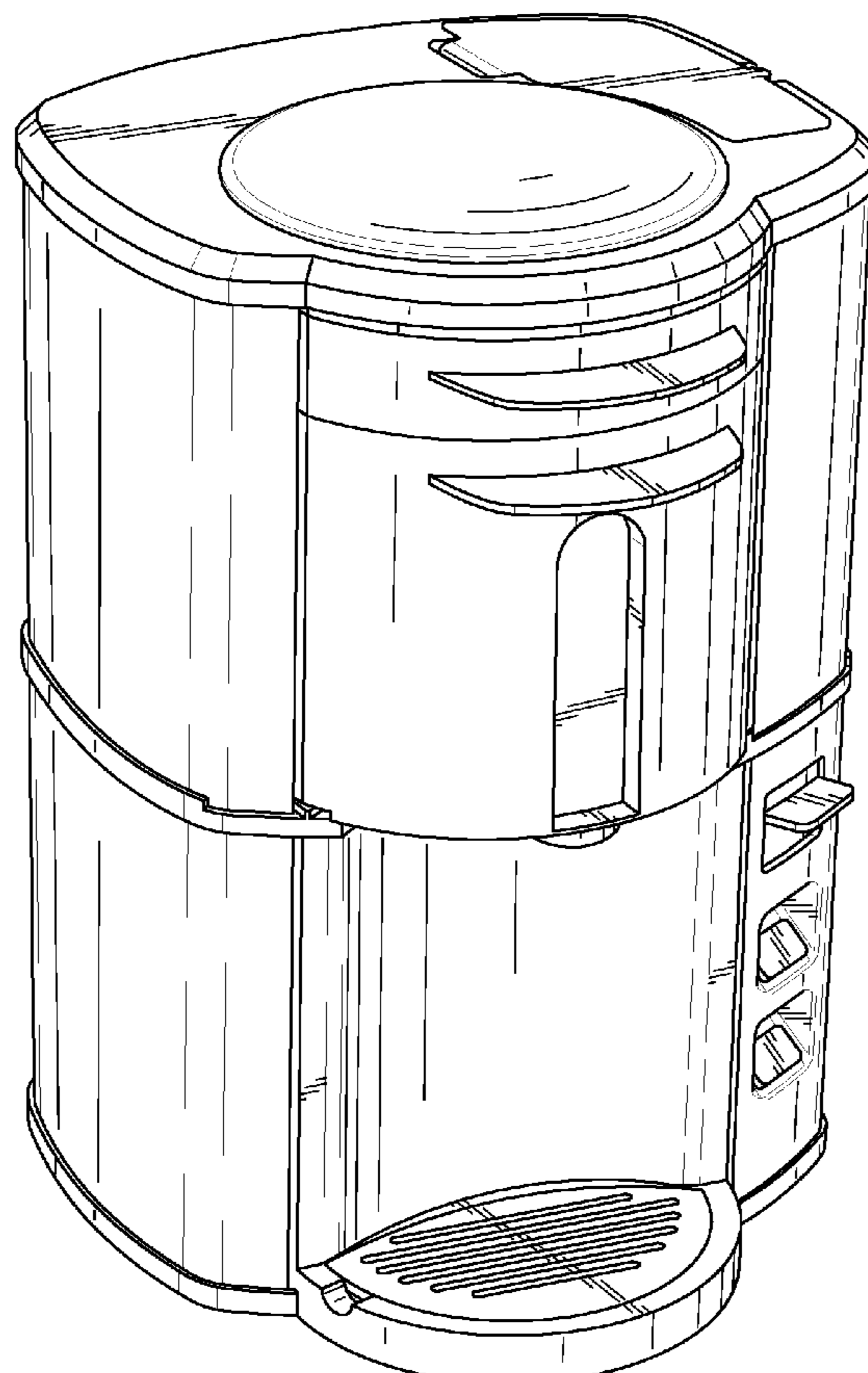
FIG. 7 is a bottom view of the coffee maker illustrated in FIG. 1.

(56) **References Cited**

U.S. PATENT DOCUMENTS

D320,138 S * 9/1991 Steinkamp D7/309
D527,567 S * 9/2006 Nakato et al. D7/306
D571,598 S * 6/2008 Moore D7/306

1 Claim, 4 Drawing Sheets



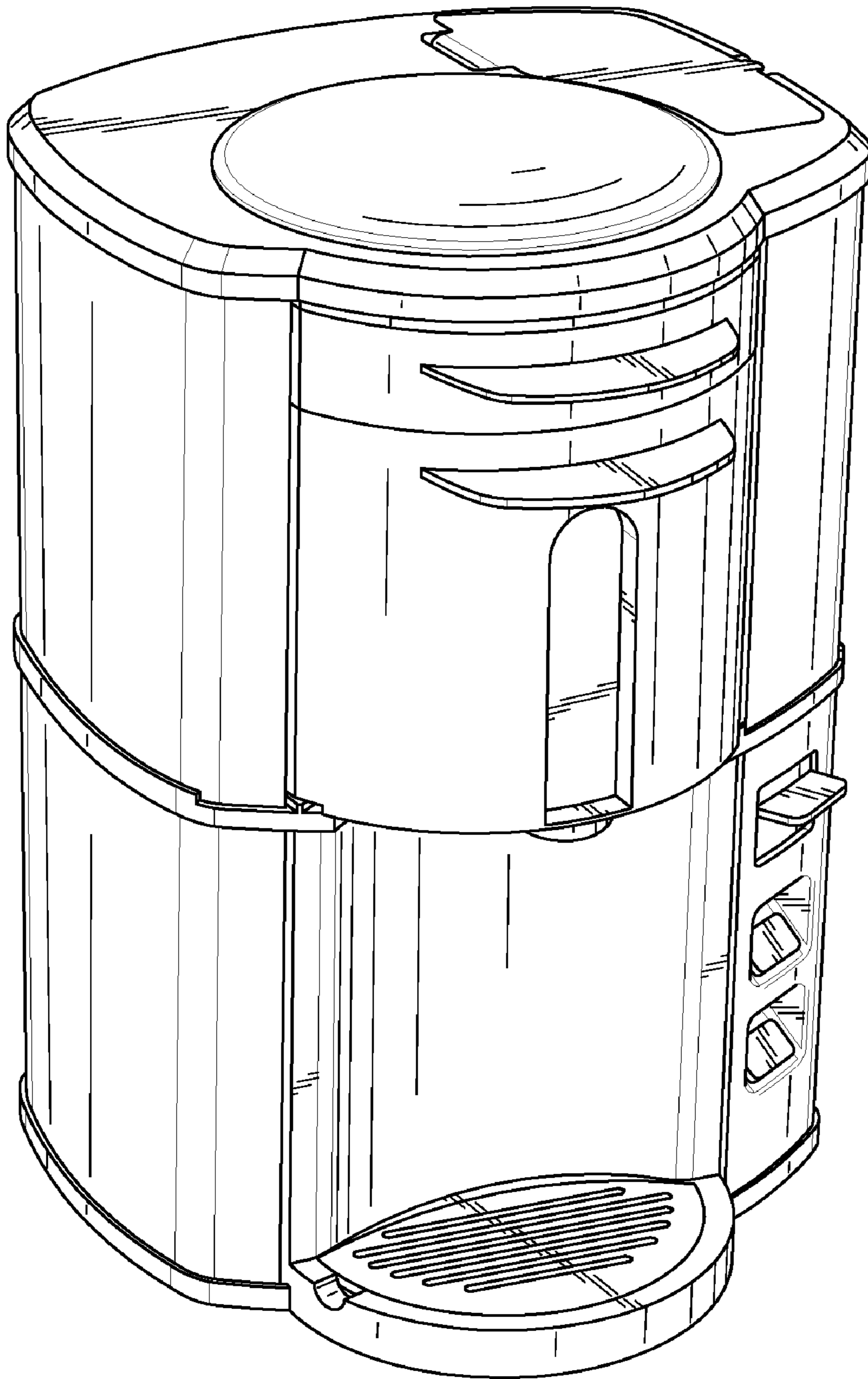


FIG. 1

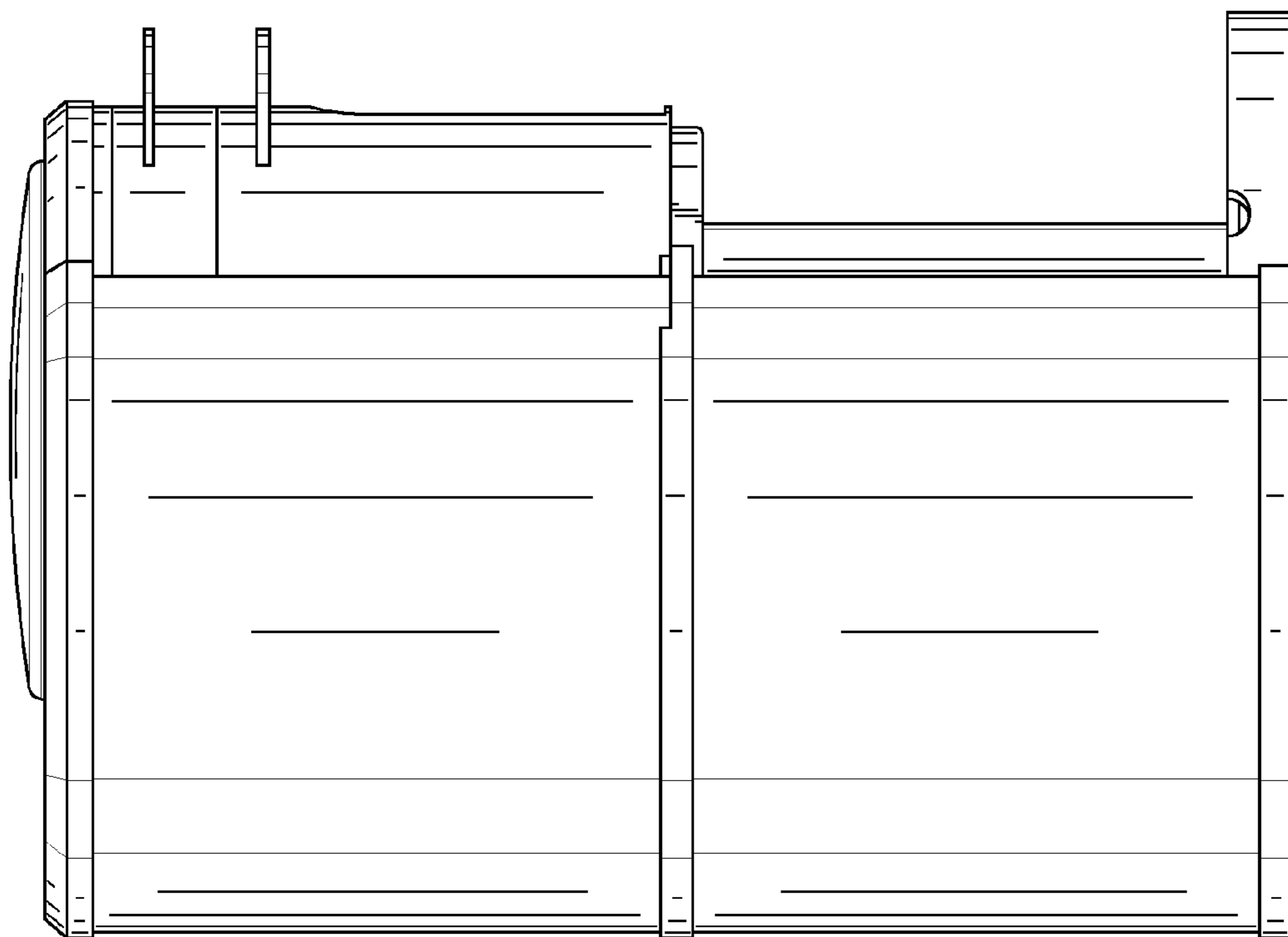


FIG. 3

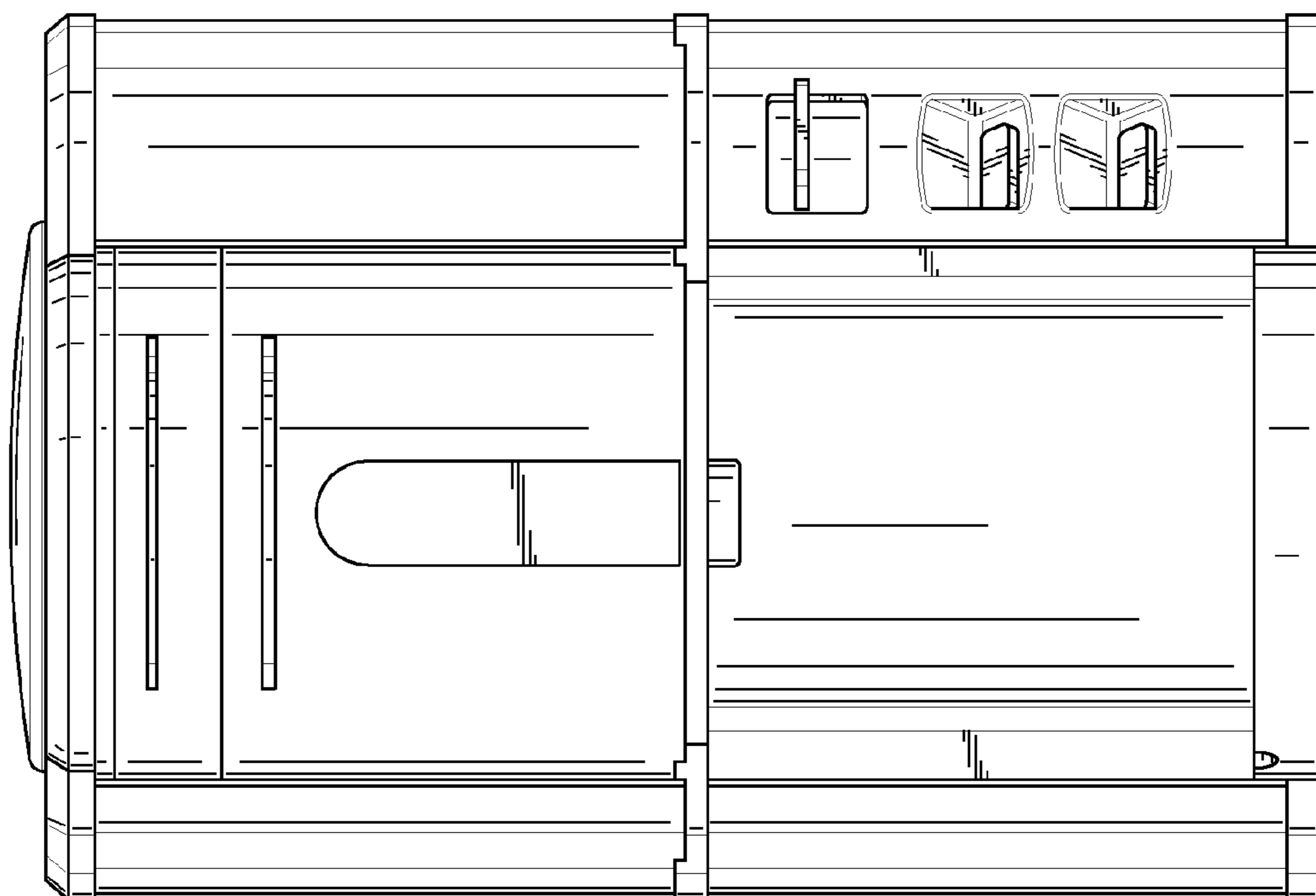


FIG. 2

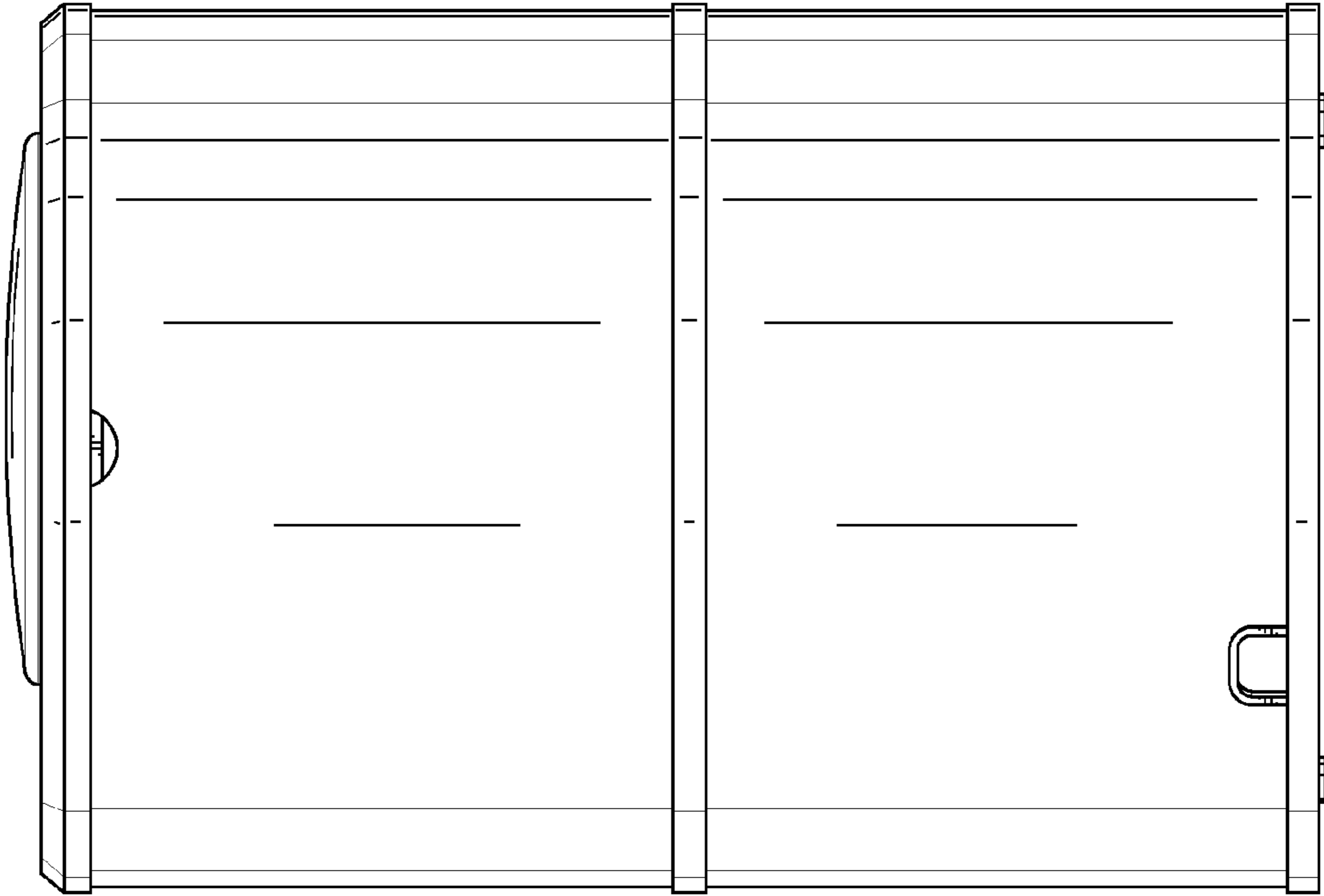


FIG. 5

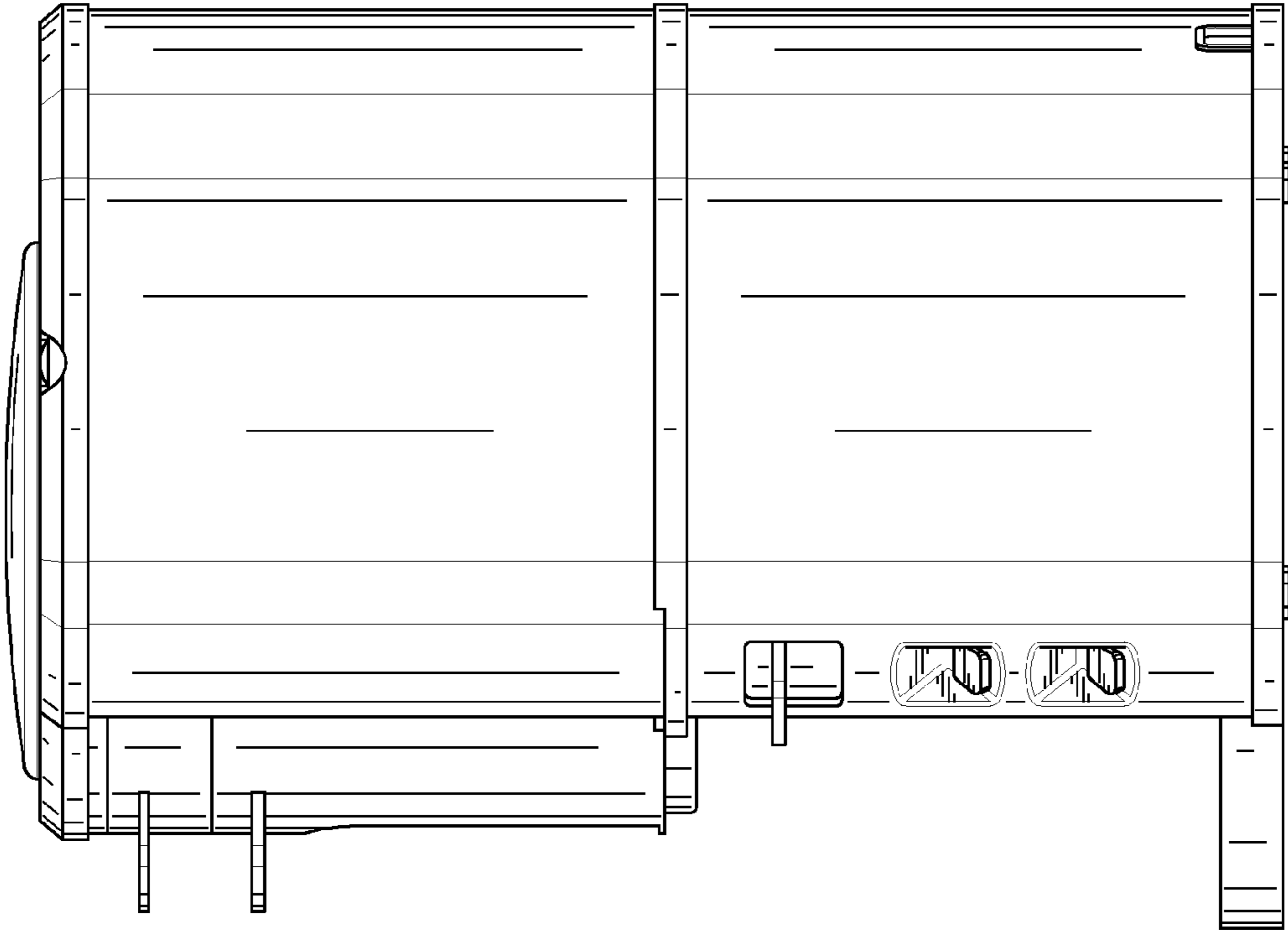


FIG. 4

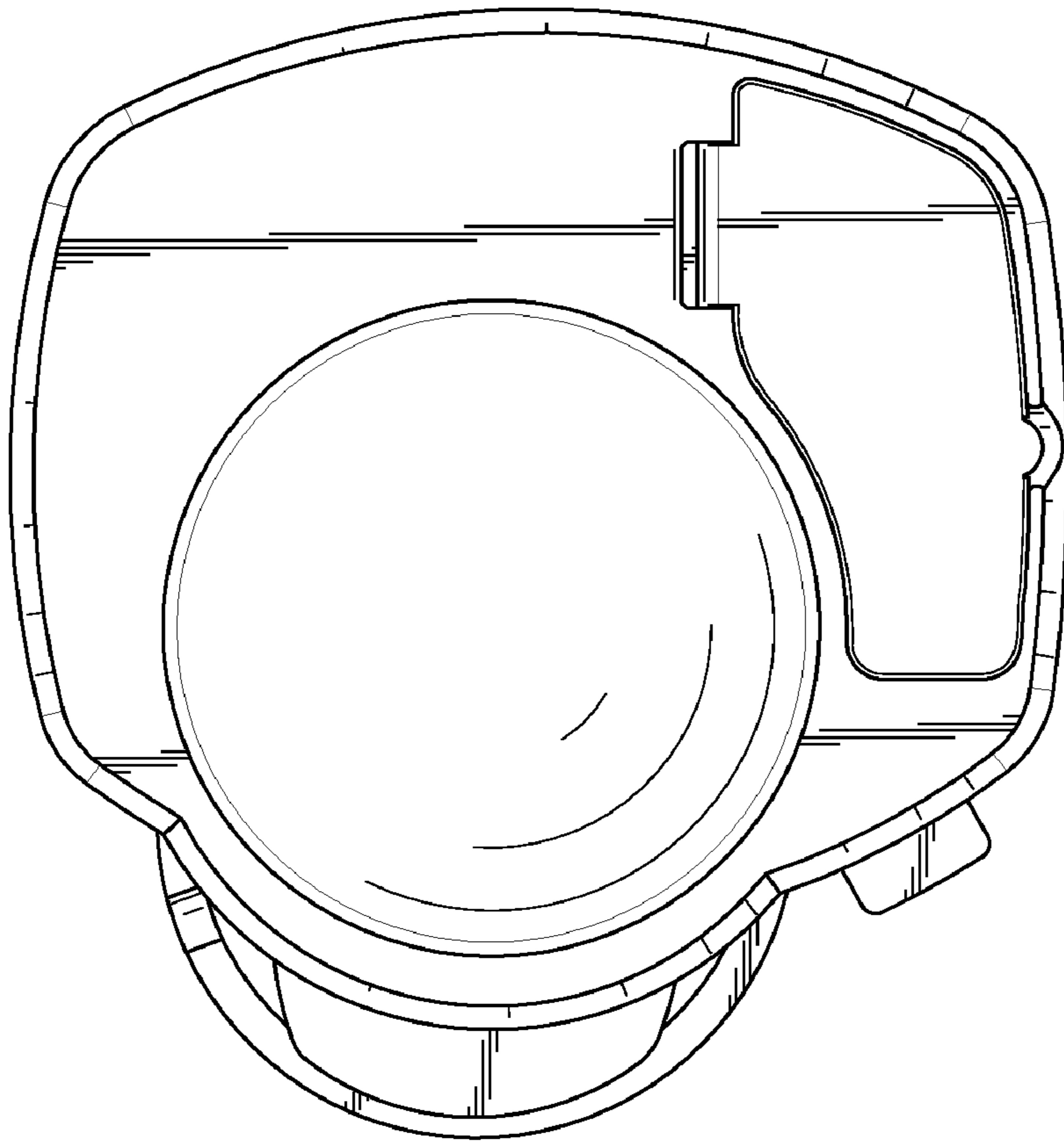


FIG. 6

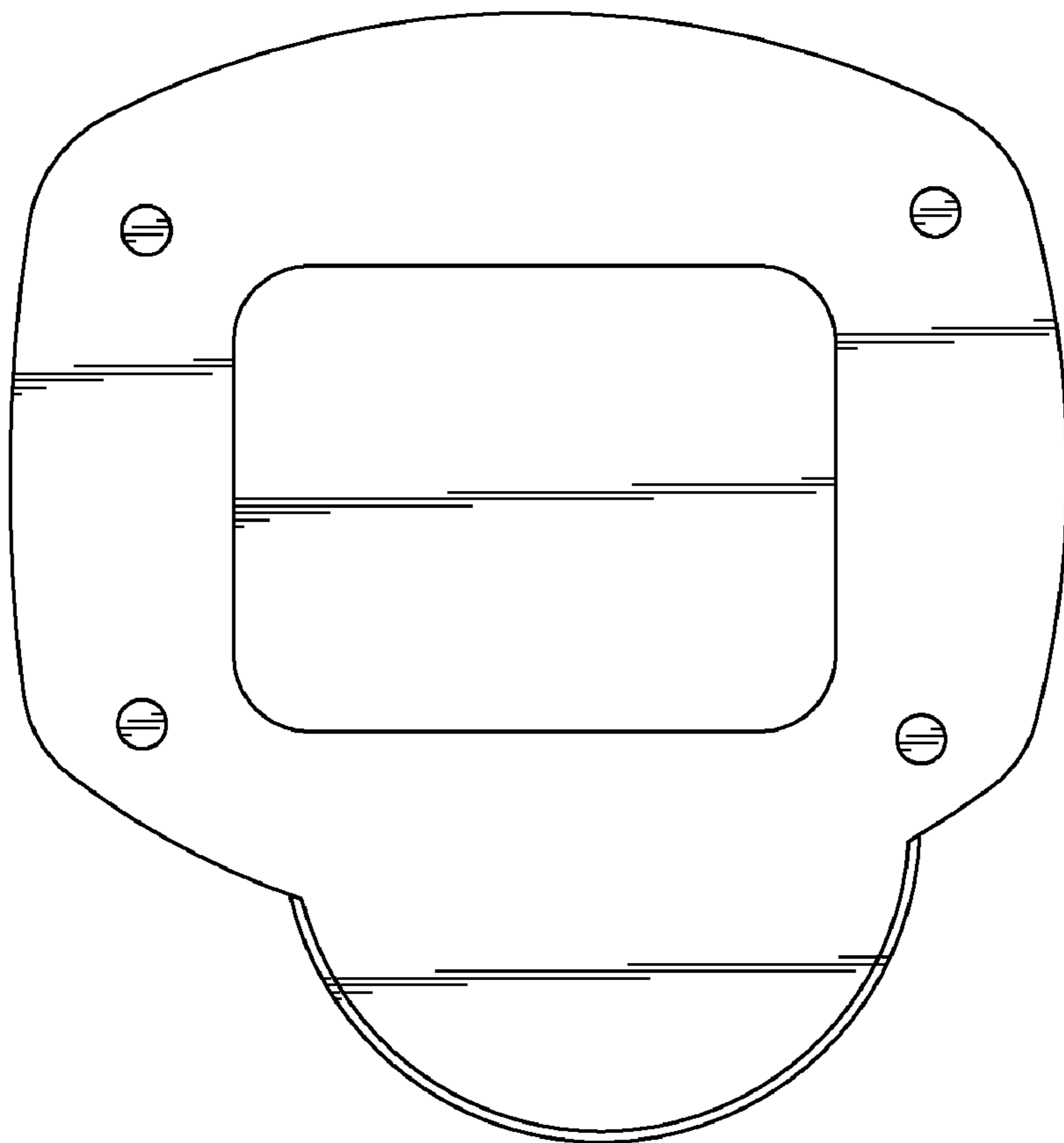


FIG. 7