

US00D623885S

(12) **United States Design Patent**  
**Wang**

(10) **Patent No.:** **US D623,885 S**

(45) **Date of Patent:** **\*\* \*Sep. 21, 2010**

(54) **WATER COOLER**

(75) Inventor: **Chun Yen Wang**, El Paso, TX (US)

(73) Assignee: **MTN Products, Inc.**, Pomona, CA (US)

(\* ) Notice: This patent is subject to a terminal disclaimer.

(\*\*) Term: **14 Years**

(21) Appl. No.: **29/338,769**

(22) Filed: **Jun. 18, 2009**

(51) **LOC (9) Cl.** ..... **07-01**

(52) **U.S. Cl.** ..... **D7/306; D7/313; D7/311**

(58) **Field of Classification Search** ..... **D7/300, D7/306-311, 312, 313; 222/185.1, 146.6**  
See application file for complete search history.

(56) **References Cited**

**U.S. PATENT DOCUMENTS**

1,241,352 A	1/1917	Doering et al.
1,248,705 A	12/1917	Pogue
1,319,376 A	4/1919	Cooper
1,337,206 A	4/1920	Doering et al.
1,933,192 A	10/1933	Taylor
1,948,644 A	2/1934	Blood et al.
1,960,604 A	5/1934	Van Fleet
1,976,007 A	10/1934	Cullen et al.
2,057,238 A	10/1936	Krug
2,072,629 A	3/1937	Fernholz
2,689,669 A	9/1954	Ericson
2,811,272 A	10/1957	Lawlor
3,033,247 A	5/1962	Beall, Jr.
3,193,143 A	7/1965	Maieli
3,207,190 A	9/1965	Silbereis et al.
3,341,073 A	9/1967	Arps et al.
3,540,402 A	11/1970	Kocher
3,606,096 A	9/1971	Campbell
3,768,501 A	10/1973	Elson et al.
3,774,658 A	11/1973	Abramoska, Jr.
3,802,606 A	4/1974	Gust
3,843,021 A	10/1974	Schieser

3,892,235 A	7/1975	Van Amerongen et al.
3,893,599 A	7/1975	Birell
3,920,149 A	11/1975	Fortino et al.
3,966,093 A	6/1976	Frahm et al.
3,973,602 A	8/1976	Kruse

(Continued)

**OTHER PUBLICATIONS**

Home Springs Photos (14 images); [http://henry-design.com/temp/mtn0503/060406\\_home\\_spring\\_photos/index.html](http://henry-design.com/temp/mtn0503/060406_home_spring_photos/index.html).

(Continued)

*Primary Examiner*—Marianne Pandozzi

(74) *Attorney, Agent, or Firm*—Michael P. Mazza, LLC

(57) **CLAIM**

The ornamental design for a water cooler, as shown and described.

**DESCRIPTION**

FIG. 1 is a perspective view of a water cooler showing my new design;

FIG. 2 is a front elevational view thereof;

FIG. 3 is a top plan view thereof;

FIG. 4 is a bottom plan view thereof;

FIG. 5 is a side elevational view thereof;

FIG. 6 is a rear elevational view thereof;

FIG. 7 is a perspective view of a water cooler showing a second embodiment of my new design;

FIG. 8 is a front elevational view thereof;

FIG. 9 is a top plan view thereof;

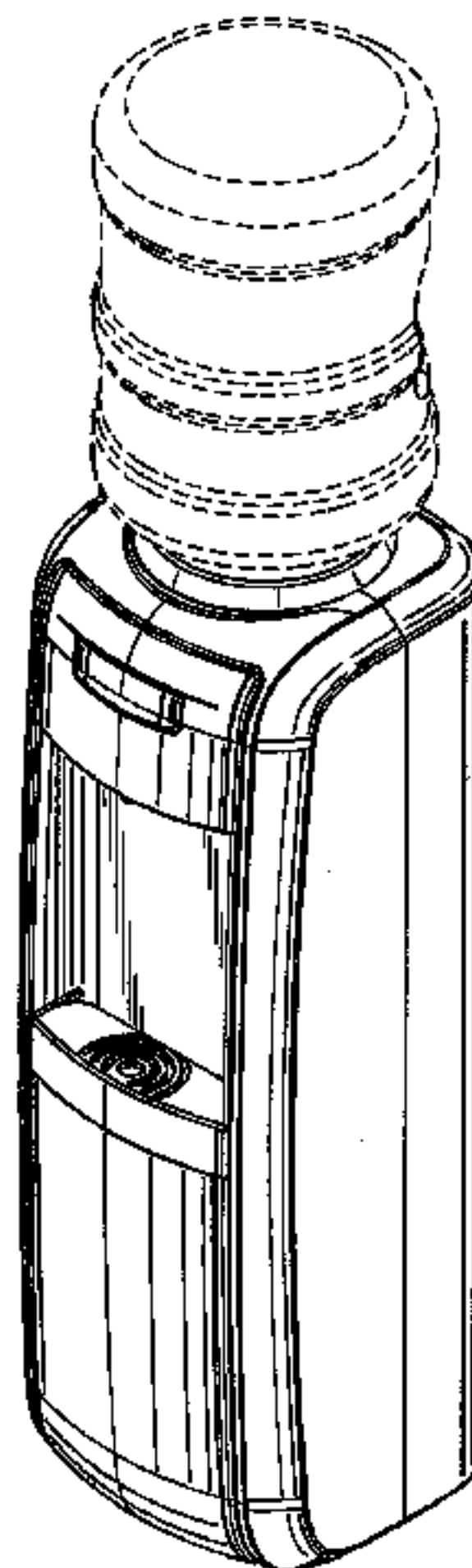
FIG. 10 is a bottom plan view thereof;

FIG. 11 is a rear elevational view thereof; and,

FIG. 12 is a side elevational view thereof.

The broken lines in the drawing are included for the purpose of illustration and form no part of the claimed design.

**1 Claim, 4 Drawing Sheets**



# US D623,885 S

## U.S. PATENT DOCUMENTS

3,974,863	A	8/1976	Frahm et al.	
3,993,218	A	11/1976	Reichenberger	
4,124,146	A	11/1978	Sealfon	
4,137,930	A	2/1979	Scholle	
4,239,130	A	12/1980	Altadonna	
4,244,467	A	1/1981	Cavazza	
4,267,945	A	5/1981	Maynard	
4,356,848	A	11/1982	Spies	
4,421,146	A	12/1983	Bond et al.	
4,444,340	A	4/1984	Bond et al.	
4,445,551	A	5/1984	Bond et al.	
4,597,423	A	7/1986	Chenet	
4,699,188	A	10/1987	Baker et al.	
4,711,380	A	12/1987	Ulm	
4,717,051	A	1/1988	Leclerc	
4,722,463	A	2/1988	Anderson	
4,793,514	A	12/1988	Sheets	
4,834,267	A	5/1989	Schroer et al.	
4,846,236	A	7/1989	Deruntz	
4,874,023	A	10/1989	Ulm	
4,898,308	A	2/1990	Rudick	
4,902,320	A	2/1990	Schroer	
4,972,976	A	11/1990	Romero	
4,991,635	A	2/1991	Ulm	
5,031,676	A	7/1991	Ulm	
D322,534	S *	12/1991	Chaney .....	D7/306
5,121,778	A	6/1992	Baker et al.	
5,133,482	A	7/1992	Burrows et al.	
5,213,309	A	5/1993	Makishima	
5,222,530	A	6/1993	Baker et al.	
5,222,531	A	6/1993	Baker et al.	
5,232,125	A	8/1993	Adams	
5,259,534	A	11/1993	Lynd	
5,273,083	A	12/1993	Burrows	
5,289,854	A	3/1994	Baker et al.	
5,289,855	A	3/1994	Baker et al.	
5,295,518	A	3/1994	Baker et al.	
5,295,519	A	3/1994	Baker et al.	
5,337,922	A	8/1994	Salkeld et al.	
D350,453	S *	9/1994	Chaney .....	D7/306
5,395,590	A	3/1995	Swaniger	

5,413,152	A	5/1995	Burrows	
5,431,205	A	7/1995	Gebhard	
5,454,409	A	10/1995	McAffer et al.	
5,464,127	A	11/1995	Burrows	
D367,797	S *	3/1996	Hauser et al. ....	D7/307
5,526,961	A	6/1996	Burrows	
5,533,651	A	7/1996	Eddy et al.	
5,647,416	A	7/1997	Desrosiers et al.	
5,653,270	A	8/1997	Burrows	
5,676,278	A	10/1997	Bever et al.	
5,711,380	A	1/1998	Chen	
D394,185	S *	5/1998	Eddy et al. ....	D7/392
D399,088	S *	10/1998	Chaney .....	D7/307
5,848,735	A *	12/1998	Eddy et al. ....	222/185.1
5,927,557	A *	7/1999	Busick et al. ....	222/185.1
5,957,316	A	9/1999	Hidding et al.	
6,029,860	A	2/2000	Donselman	
D432,847	S *	10/2000	Smith .....	D7/306
6,167,921	B1	1/2001	Busick et al.	
D498,969	S *	11/2004	Nicol .....	D7/306
6,912,867	B2 *	7/2005	Busick .....	62/338
D554,930	S *	11/2007	Lavy .....	D7/307
D571,141	S *	6/2008	Roosmalen et al. ....	D7/307
D582,194	S *	12/2008	Wang .....	D7/313
D585,690	S *	2/2009	Dammkoehler .....	D7/307
D604,554	S *	11/2009	Lippert et al. ....	D7/306

## OTHER PUBLICATIONS

Ebac Eddy Water Cooler; [http://www.freenet.ltd.uk/ebac\\_eddy.asp](http://www.freenet.ltd.uk/ebac_eddy.asp).  
 Ebac Eddy Water Cooler for the Home: Discount Store UK.; Ebac Eddy is a Refreshing New Way to Enjoy a Healthy Lifestyle; [http://www.freenet.ltd.uk/ebac\\_eddy.asp](http://www.freenet.ltd.uk/ebac_eddy.asp).  
 Watercoolers—Ebac Limited—Group Website. Manufacturer of dehumidifiers and water . . . ; Ebac Group; Watercoolers; <http://www.ebacgroup.com/?pae=21>.  
 Latest News—Ebac Limited—Group Website. Manufacturer of dehumidifiers and water c . . . ; Ebac Group; Latest News; Ebac enters point of use market; <http://www.ebacgroup.com/?page=36&art=22>.  
 Home Spring Photos (14 images); [http://henry-design.com/temp/mtn0503/060406\\_home\\_spring\\_photos/index.html](http://henry-design.com/temp/mtn0503/060406_home_spring_photos/index.html).

\* cited by examiner

Fig. 1

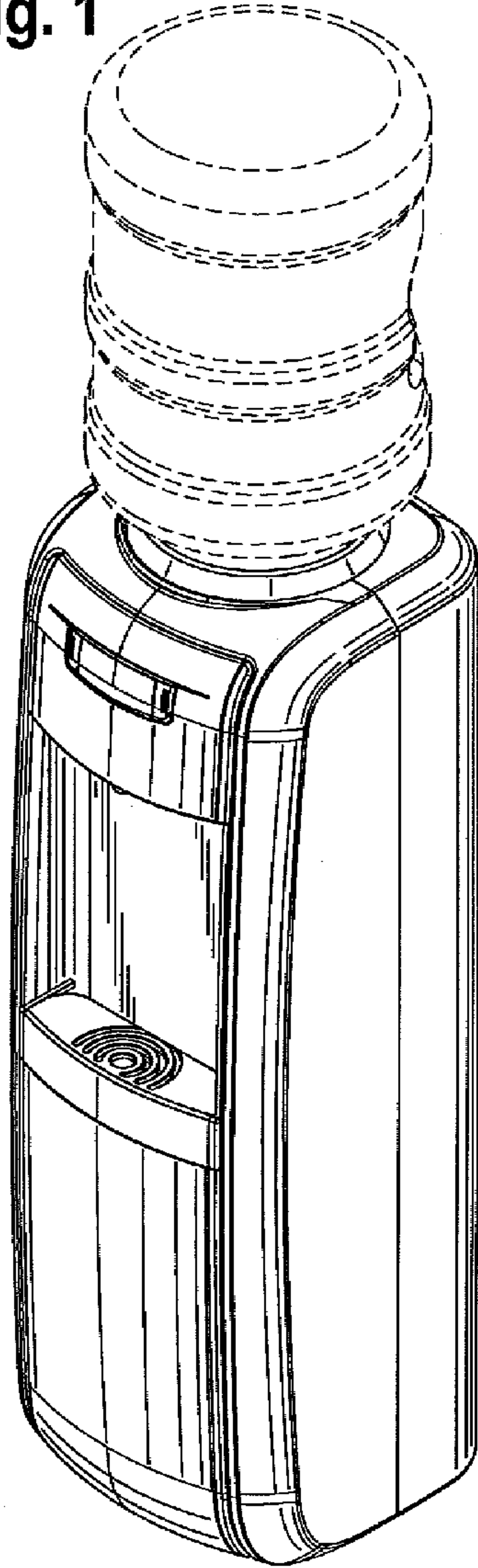


Fig. 2

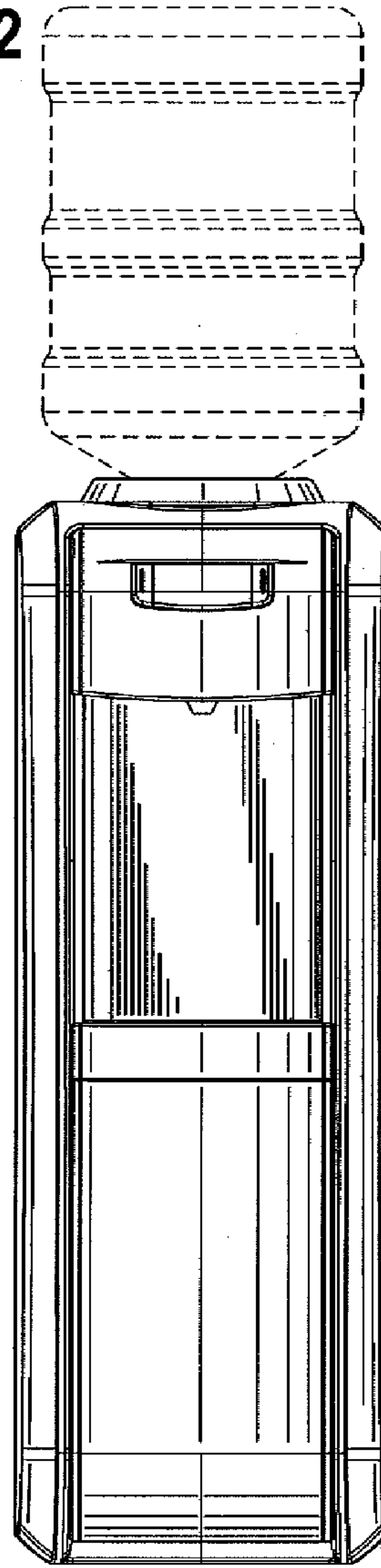


Fig. 3

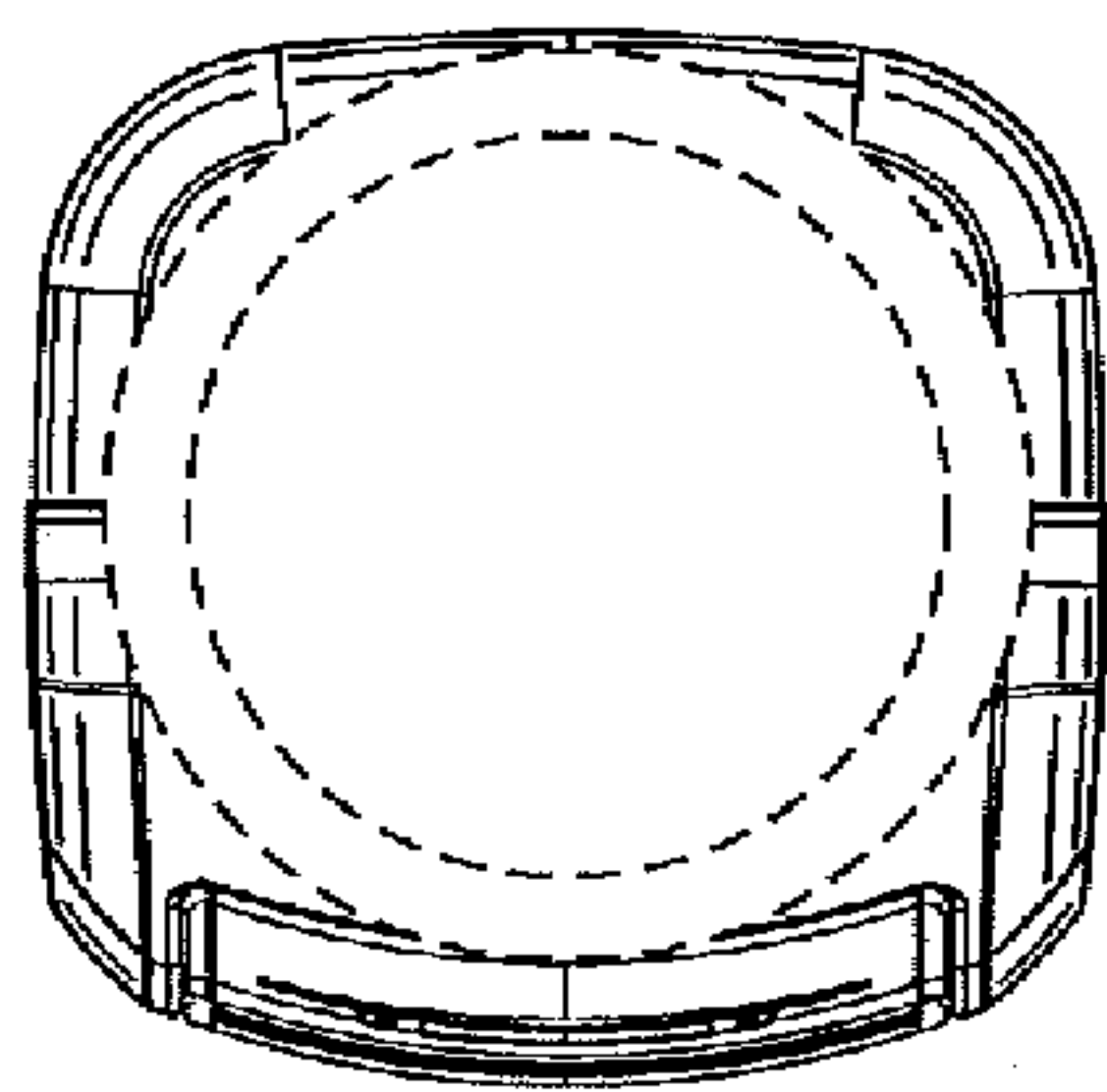
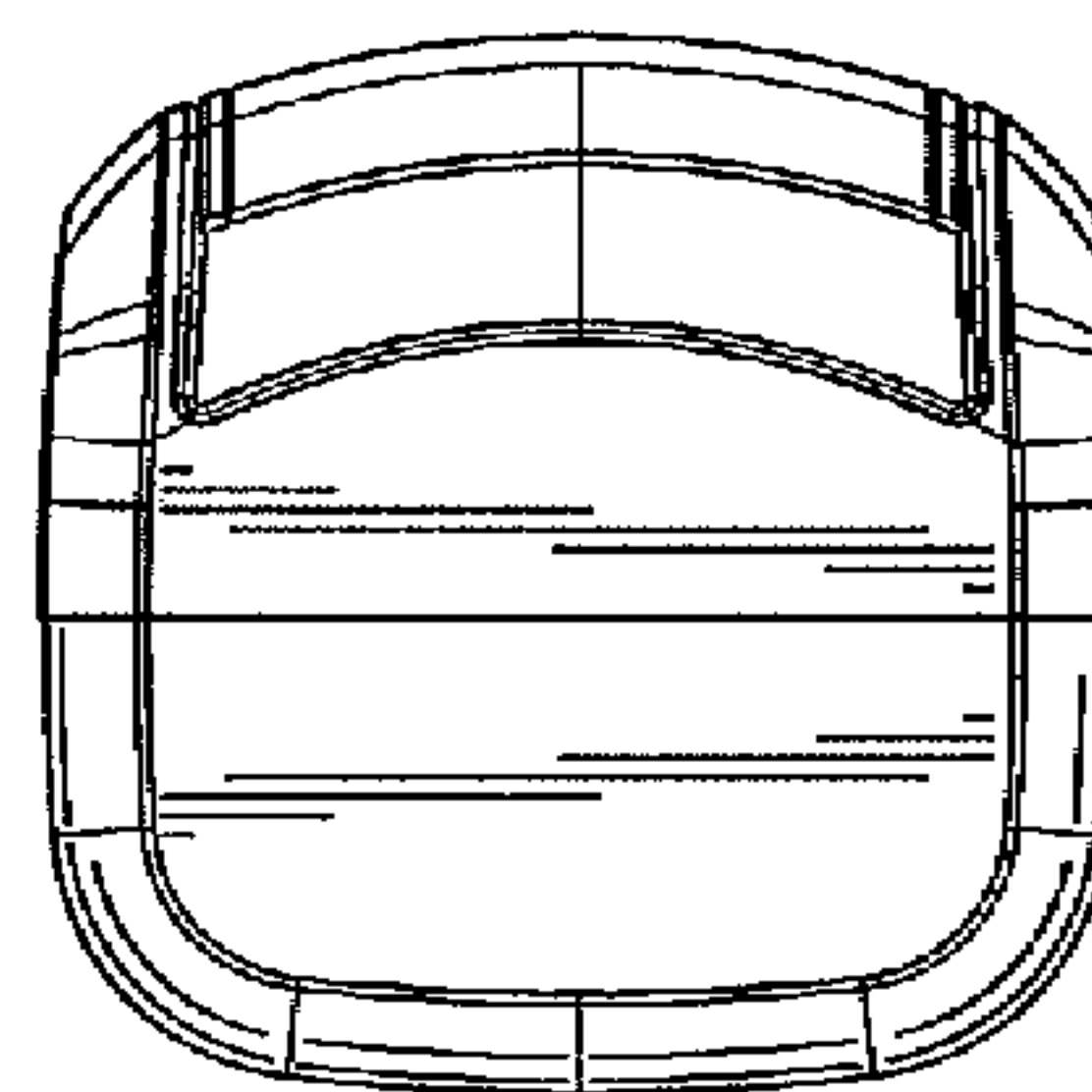
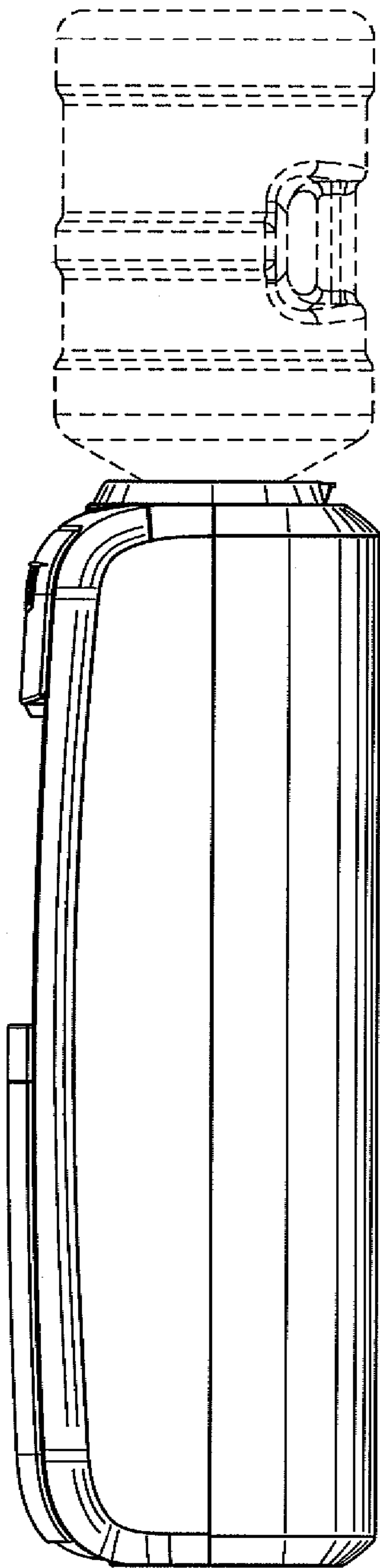


Fig. 4





**Fig. 5**



**Fig. 6**

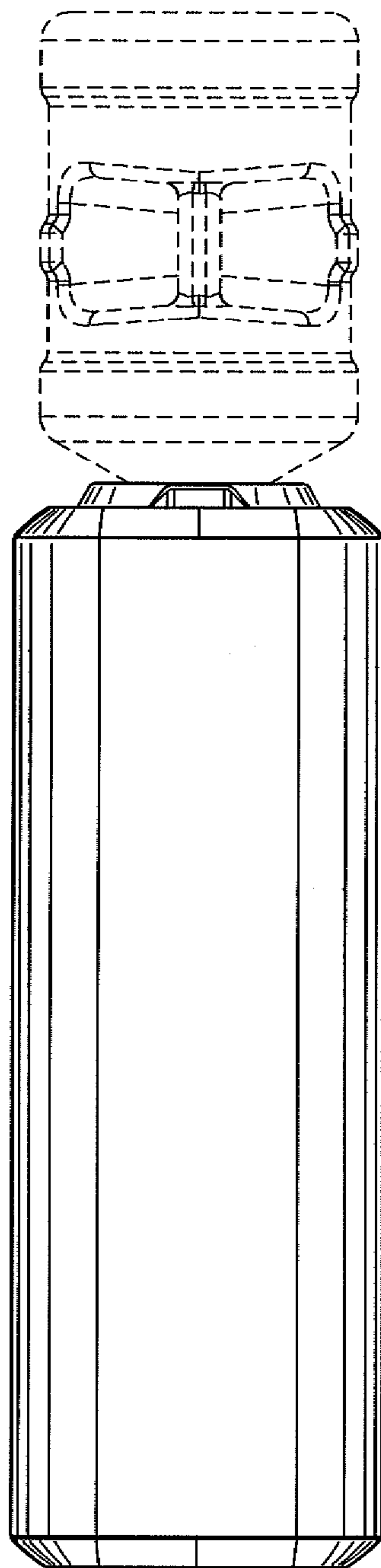


Fig. 7

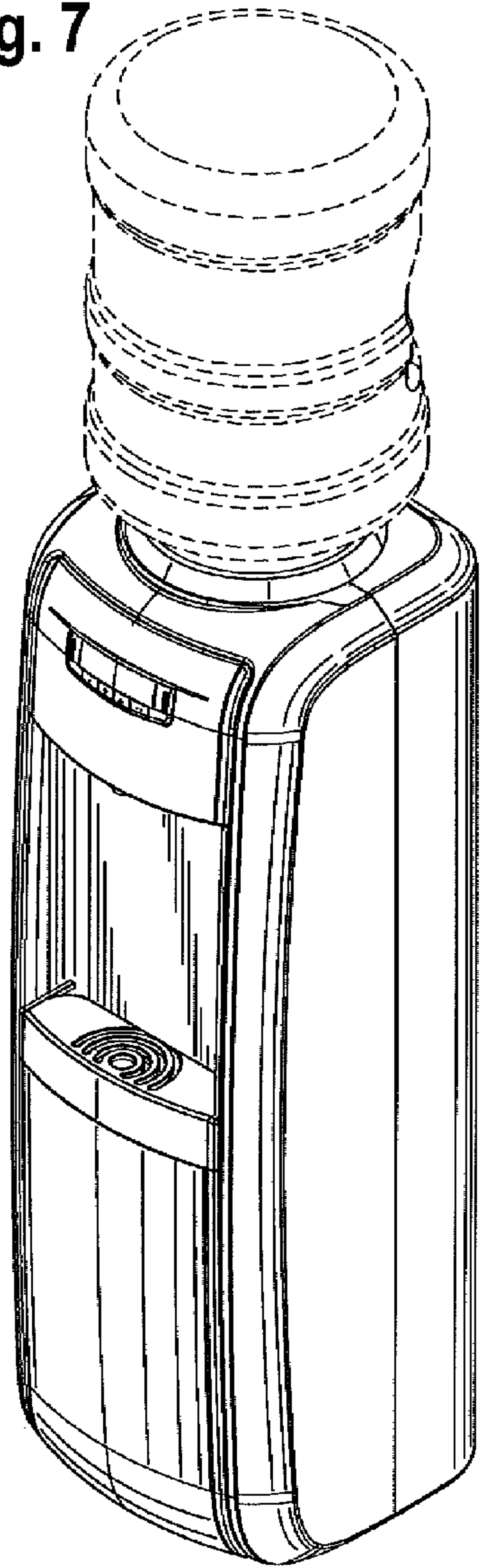


Fig. 8

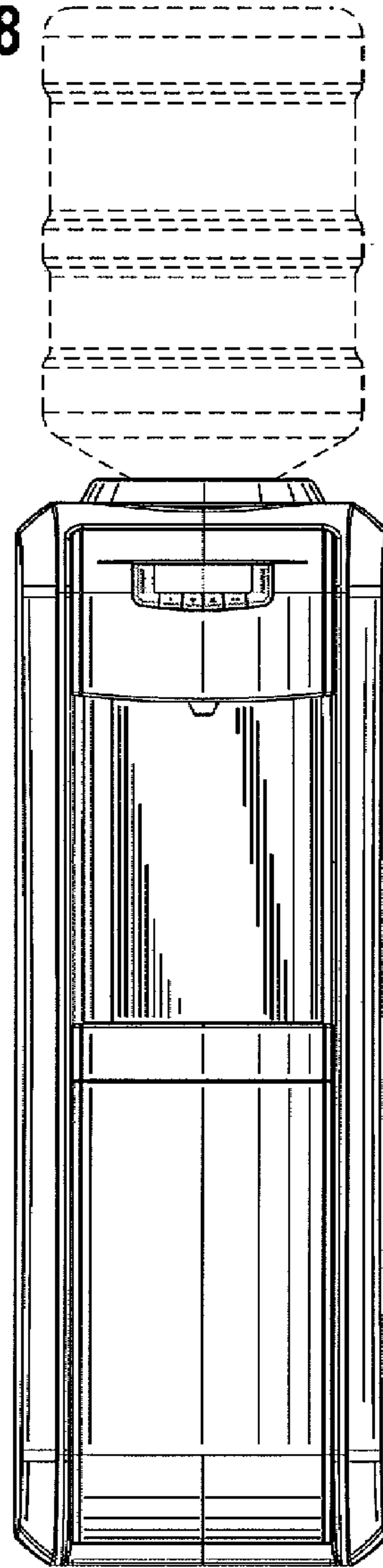


Fig. 9

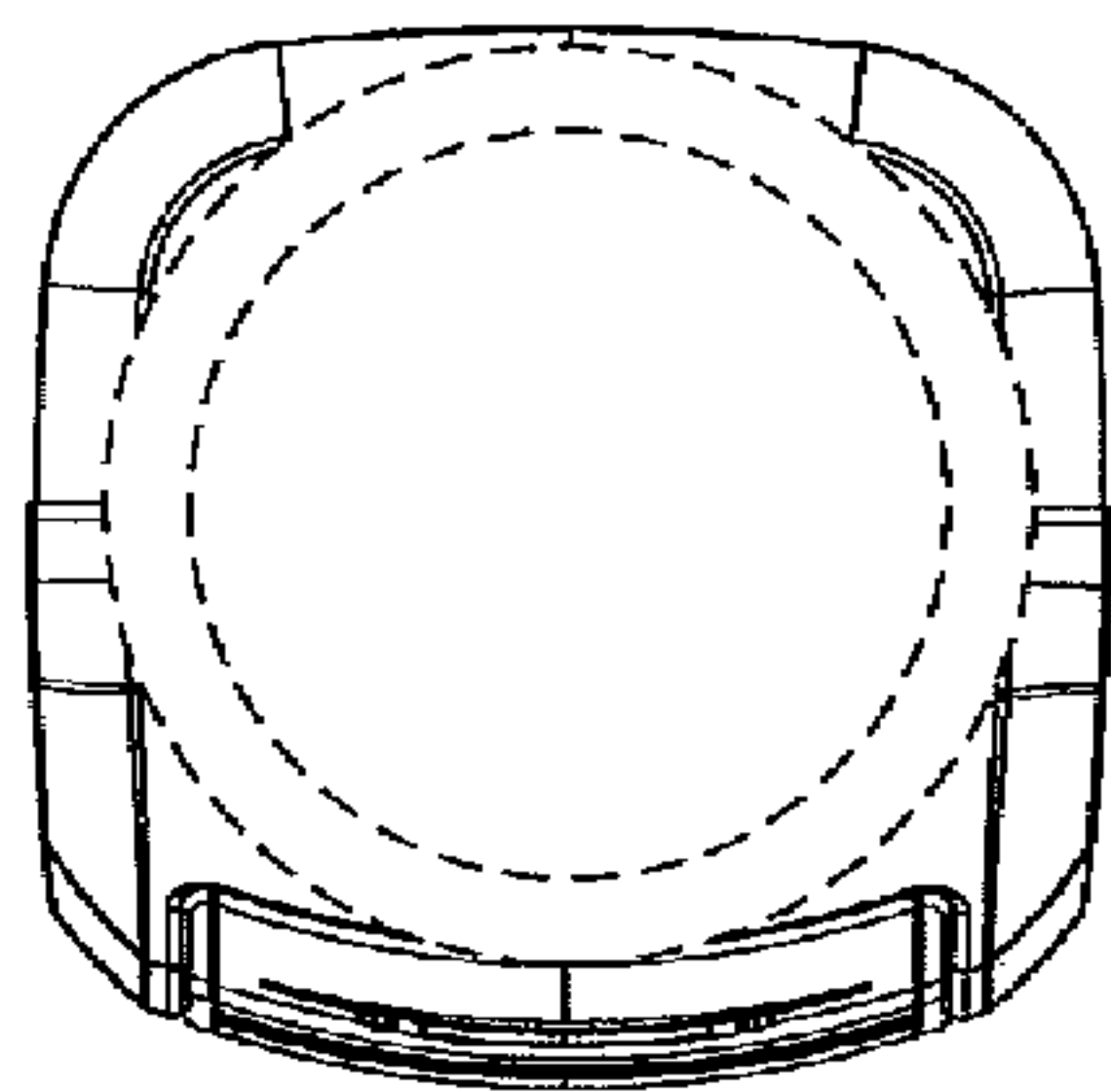
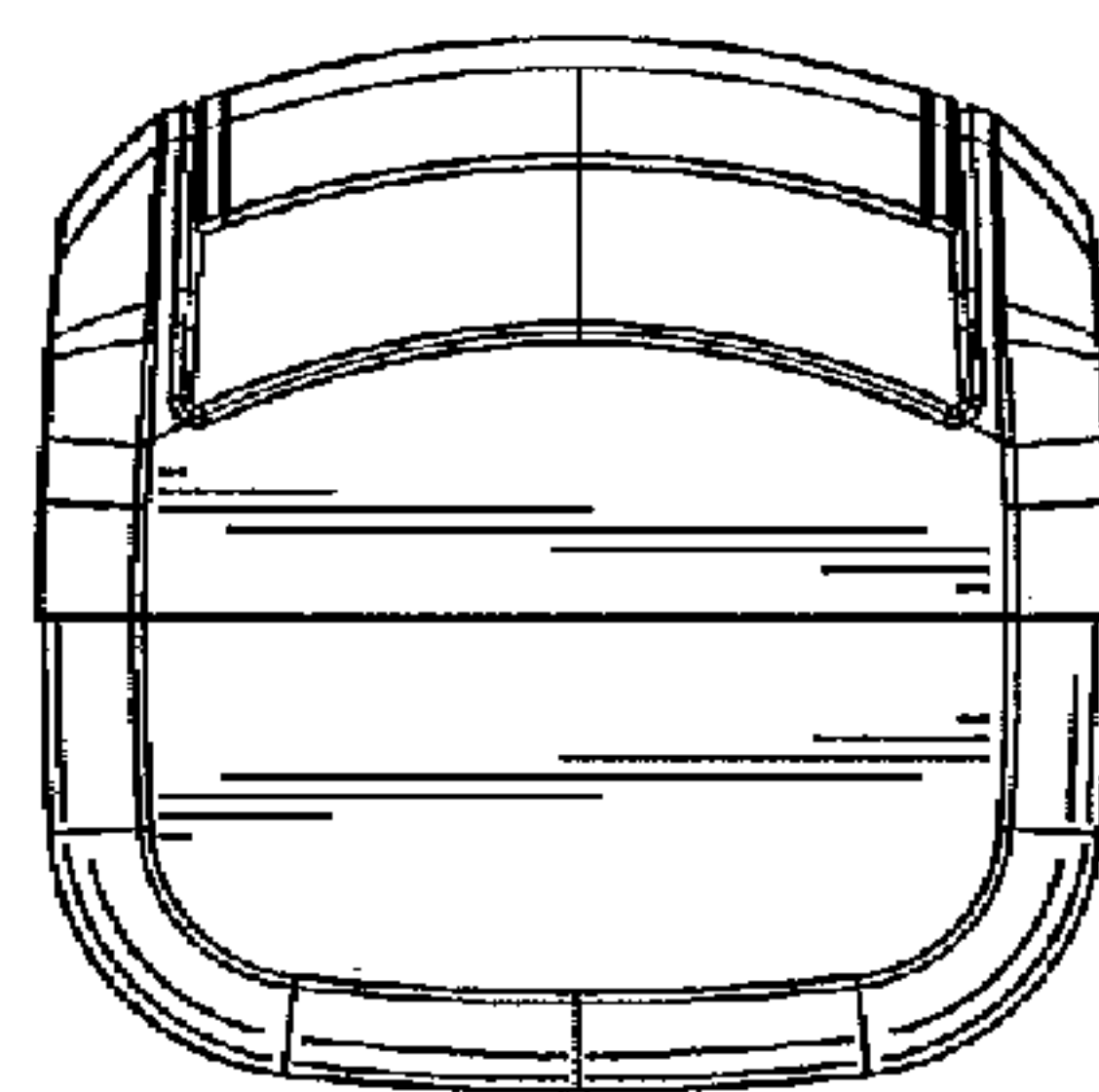
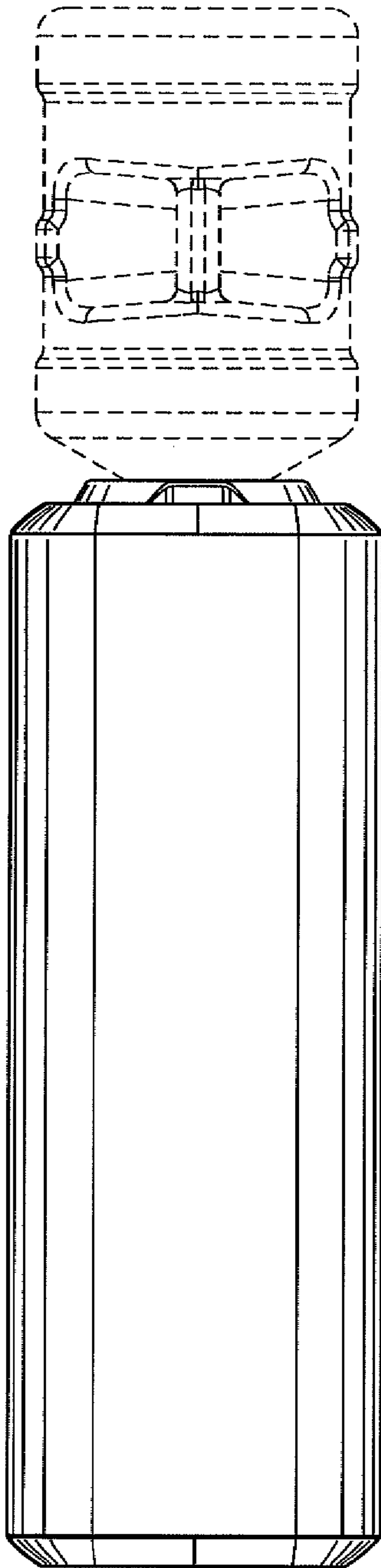


Fig. 10



**Fig. 11**



**Fig. 12**

