



US00D623884S

(12) **United States Design Patent**
Reilly et al.

(10) **Patent No.:** **US D623,884 S**

(45) **Date of Patent:** **** Sep. 21, 2010**

(54) **FITTED BED COMFORTER**

(76) Inventors: **Paul C. Reilly**, 32 Menzies Drive, Sunbury (AU) 3429; **Karen J. Reilly**, 32 Menzies Drive, Sunbury (AU) 3429; **Michael D. Reilly**, 32 Menzies Drive, Sunbury (AU) 3429; **David Reilly**, 32 Menzies Drive, Sunbury (AU) 3429

(**) Term: **14 Years**

(21) Appl. No.: **29/359,099**

(22) Filed: **Apr. 6, 2010**

(51) **LOC (9) Cl.** **06-09**

(52) **U.S. Cl.** **D6/603**

(58) **Field of Classification Search** D6/595,
D6/596, 601, 602, 603, 605; 5/482, 485,
5/488-491, 494-502, 907, 657.5

See application file for complete search history.

(56) **References Cited**

U.S. PATENT DOCUMENTS

2,695,414	A	11/1954	Ford et al.	
3,654,646	A *	4/1972	McMahon, Jr.	5/497
3,824,640	A *	7/1974	Golden	5/485
D317,841	S *	7/1991	Mendyk	D6/602
5,189,744	A	3/1993	Roberts	
5,465,440	A	11/1995	Heptner	

6,041,456	A	3/2000	Pharr	
6,877,177	B1 *	4/2005	Marcangelo	5/657.5
7,441,288	B2 *	10/2008	Johnson et al.	5/485
D587,952	S *	3/2009	Skipper	D6/603
D593,788	S *	6/2009	Thompson	D6/602

* cited by examiner

Primary Examiner—Janice E Seeger

(74) *Attorney, Agent, or Firm*—Crossley Patent Law; Mark A. Crossley

(57) **CLAIM**

The ornamental design for a fitted bed comforter, as shown and described.

DESCRIPTION

FIG. 1 is a bottom plan view of a fitted bed comforter showing our new design;

FIG. 2 is a top plan view thereof;

FIG. 3 is a right elevation view thereof, the opposite side being a mirror image of the shown;

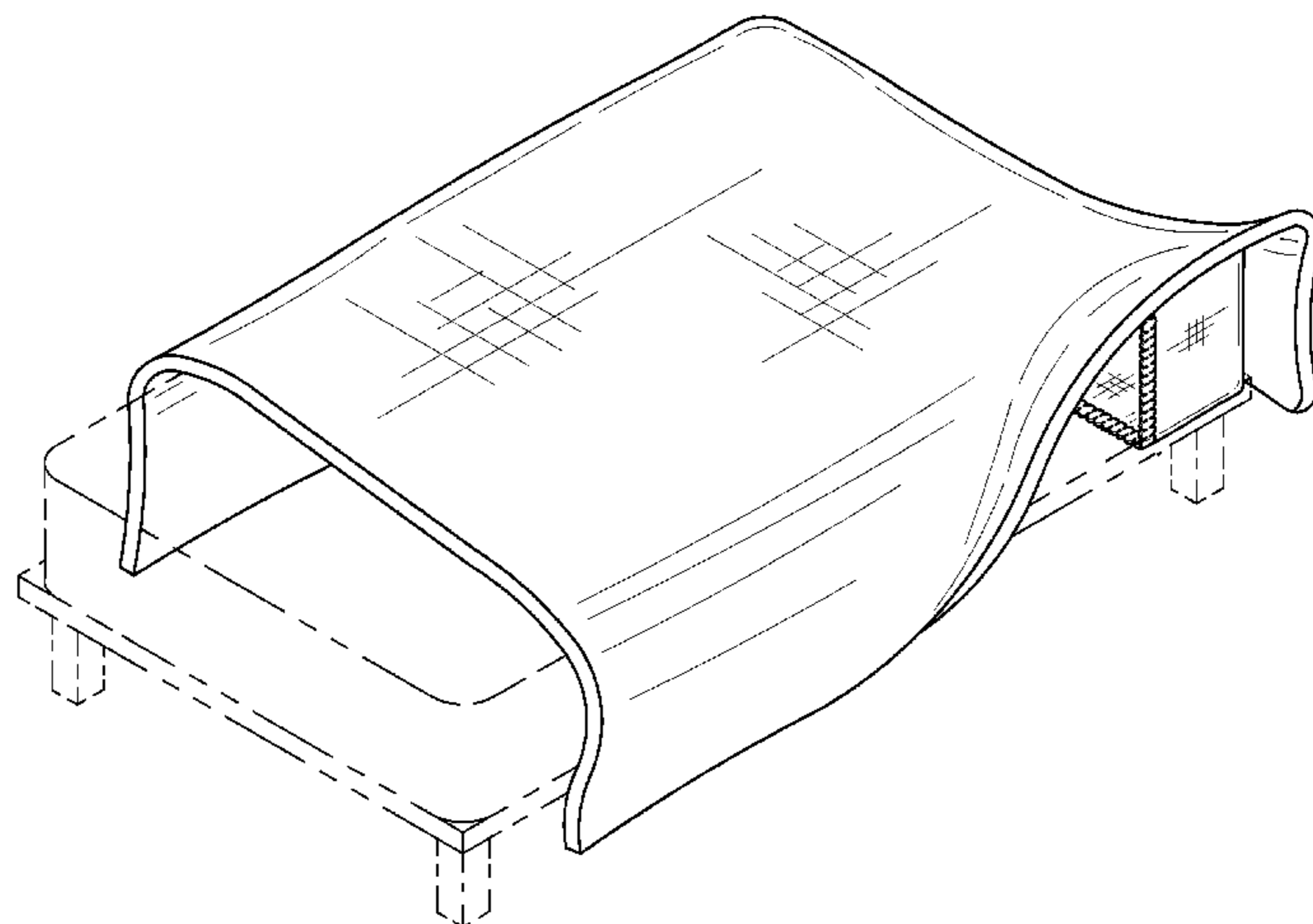
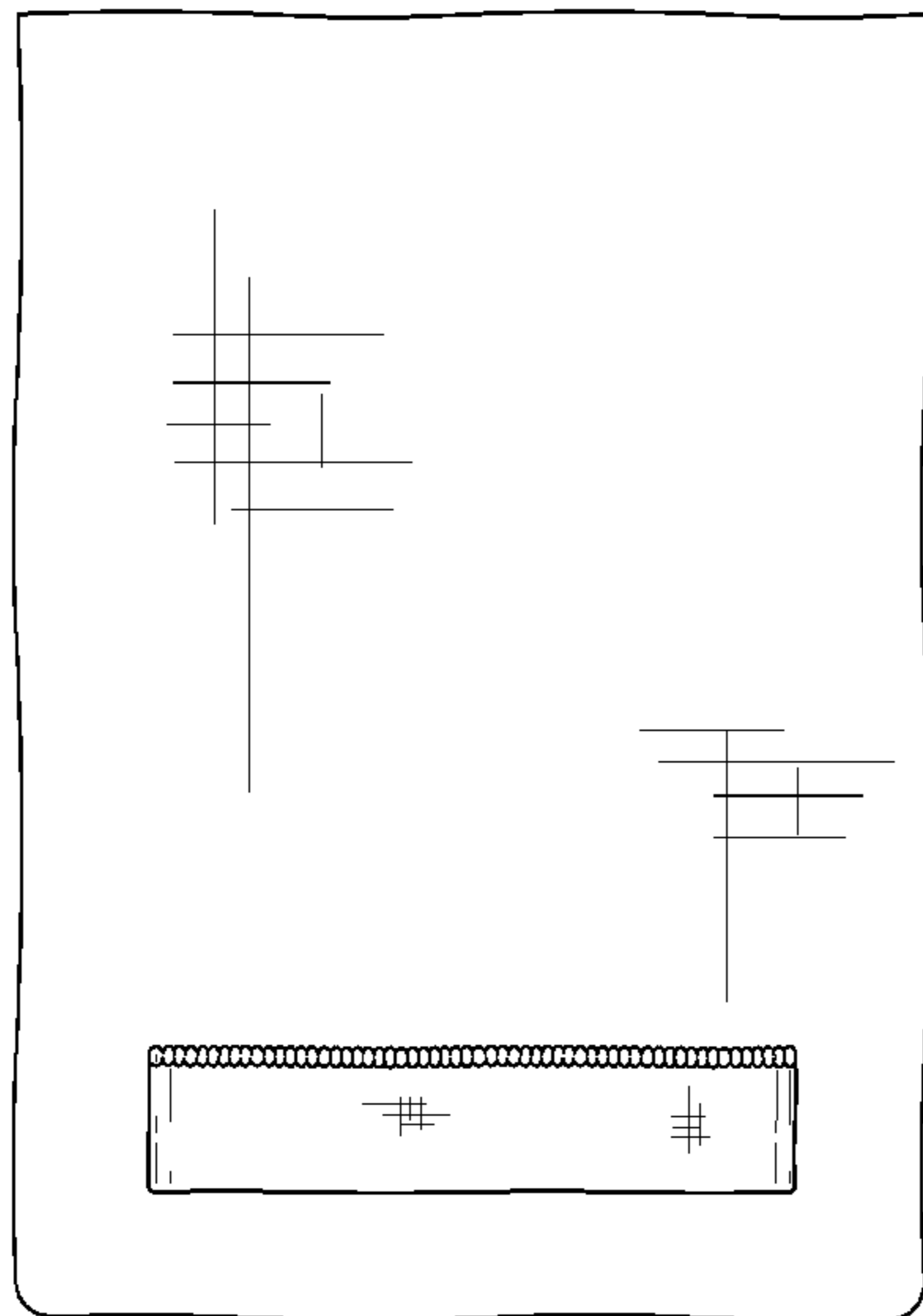
FIG. 4 is a front elevation view thereof;

FIG. 5 is a rear elevation view thereof; and,

FIG. 6 is an isometric view thereof.

The broken lines in the drawings depict environmental subject matter only and form no part of the claimed design.

1 Claim, 4 Drawing Sheets



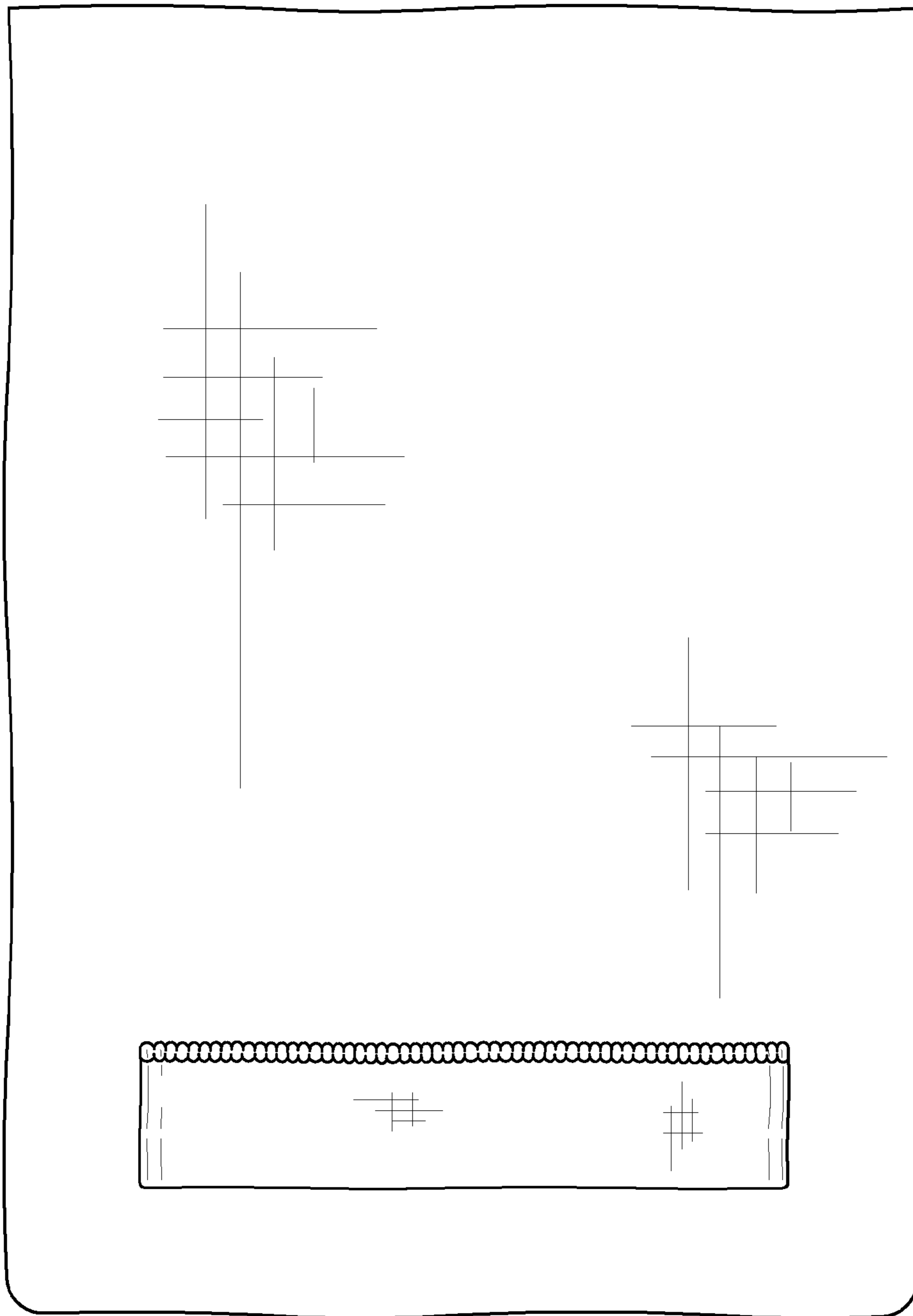


FIG. 1

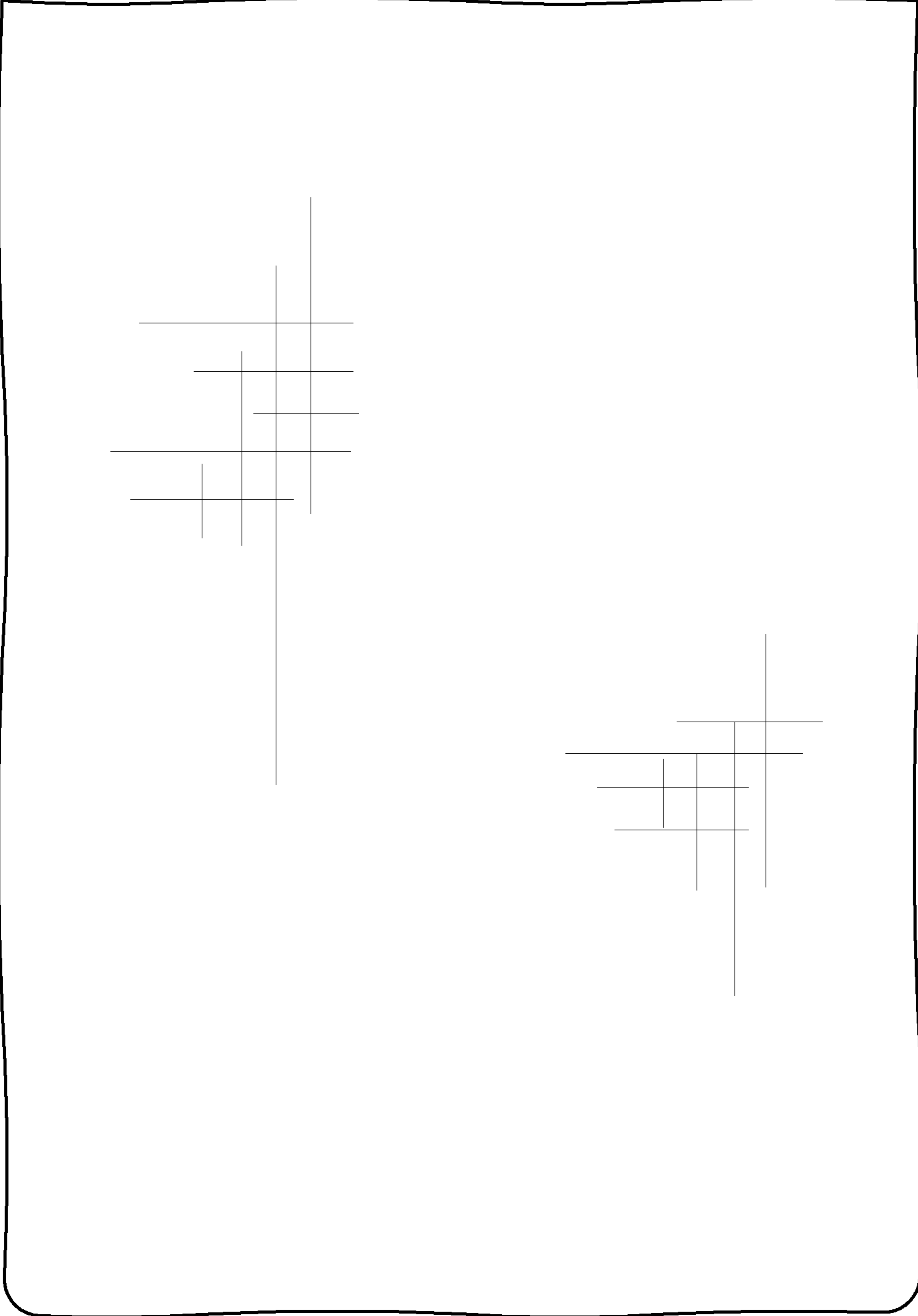


FIG. 2

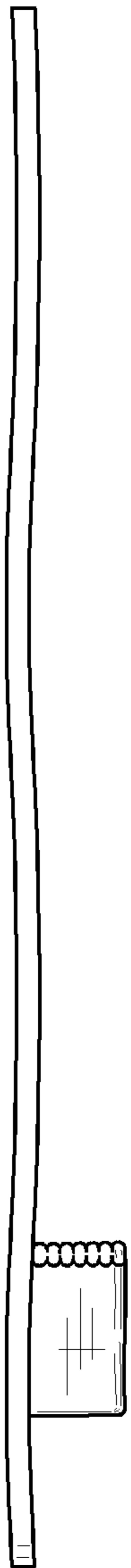


FIG. 3

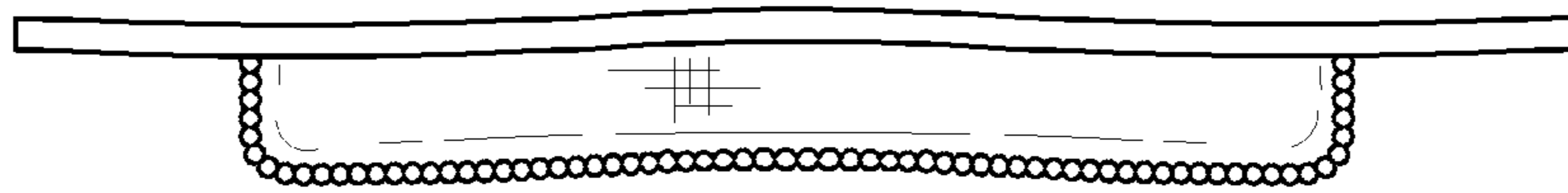


FIG. 4

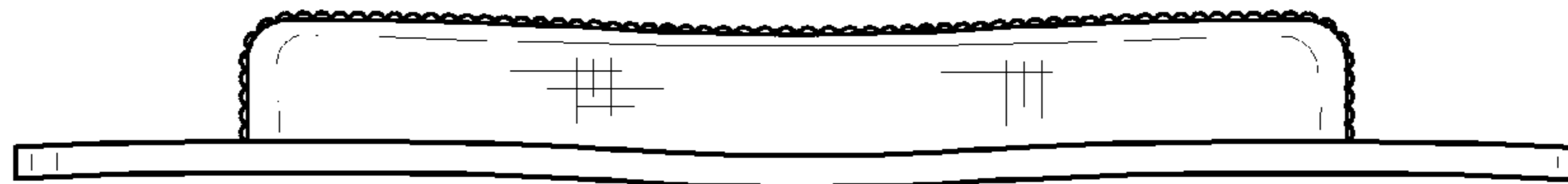


FIG. 5

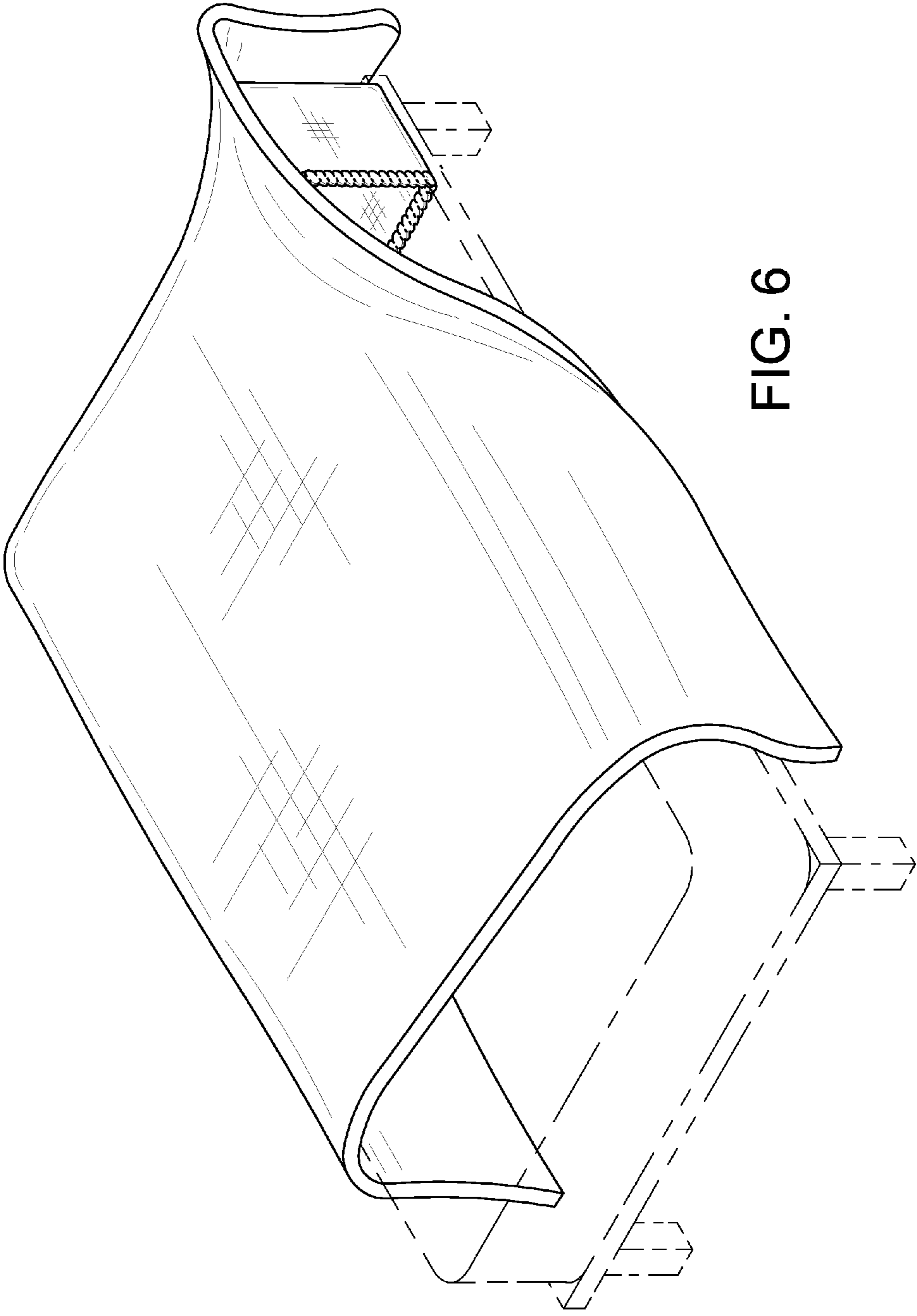


FIG. 6