



US00D623879S

(12) **United States Design Patent**  
**Kubryk**

(10) **Patent No.:** **US D623,879 S**

(45) **Date of Patent:** **\*\* Sep. 21, 2010**

(54) **TASK CHAIR**

D611,739 S \* 3/2010 Kubryk ..... D6/500

\* cited by examiner

(76) Inventor: **Isaac Kubryk**, 18251 Highway 88,  
Lockeford, CA (US) 95237

*Primary Examiner*—Mimosa De

(\*\*) Term: **14 Years**

(74) *Attorney, Agent, or Firm*—Audrey A. Millemann;  
Weintraub Genshlea Chediak

(21) Appl. No.: **29/349,116**

(57) **CLAIM**

(22) Filed: **Mar. 9, 2010**

The ornamental design for a task chair, as shown and described.

(51) **LOC (9) Cl.** ..... **06-01**

(52) **U.S. Cl.** ..... **D6/500**

(58) **Field of Classification Search** ..... D6/334–336,  
D6/356, 364, 365, 366, 367, 379, 380, 500–502;  
297/411.2, 411.28, 452.21, 452.26, 452.29,  
297/452.32, 452.35, 452.48

See application file for complete search history.

**DESCRIPTION**

FIG. 1 is a perspective view of a task chair, looking toward the right front corner, showing my new design;

FIG. 2 is a front view thereof;

FIG. 3 is a back view thereof;

FIG. 4 is a right side view thereof;

FIG. 5 is a top view thereof; and,

FIG. 6 is a bottom view thereof.

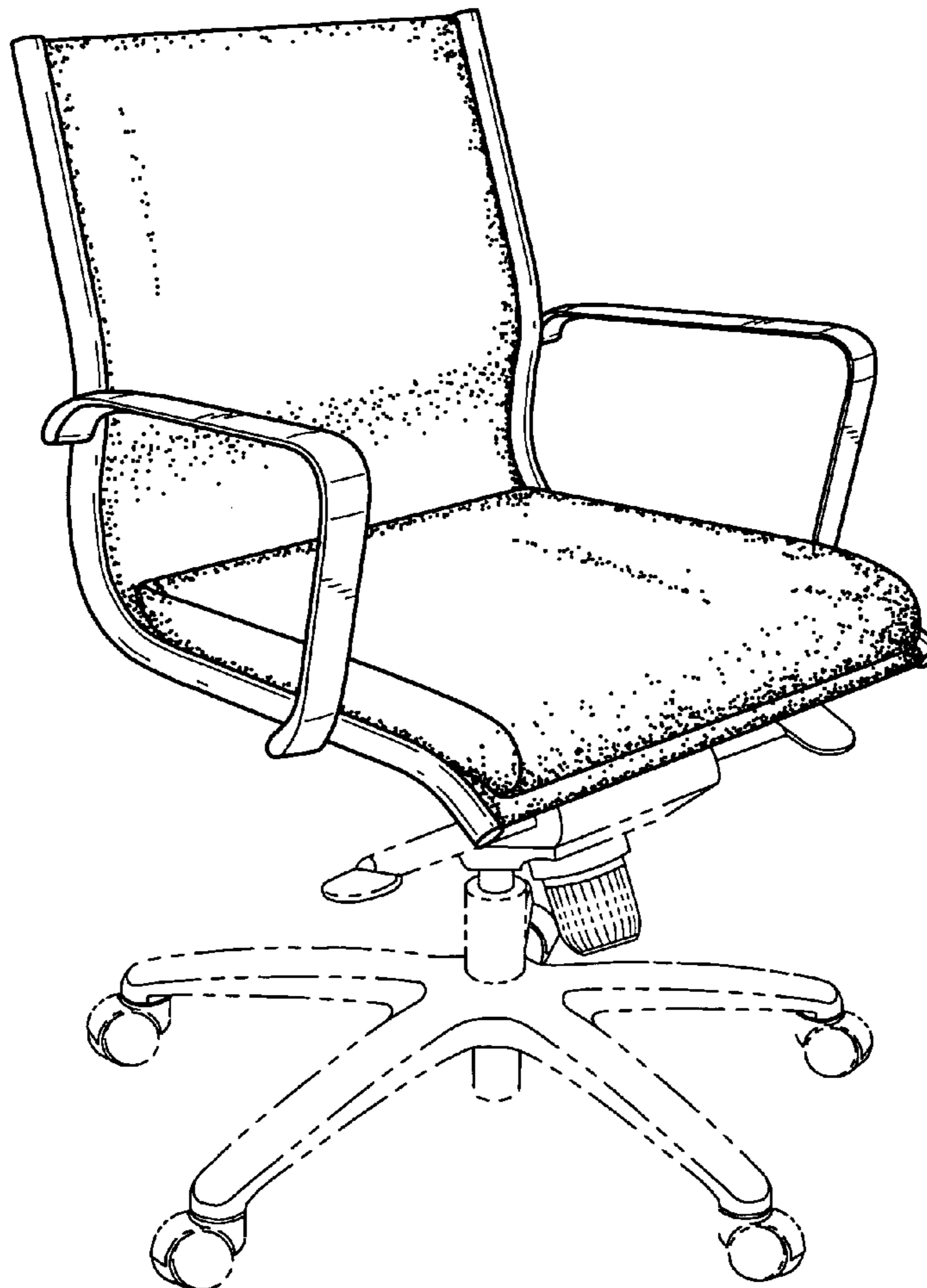
The broken lines shown in the drawing are for illustrative purposes only and form no part of the claimed design.

(56) **References Cited**

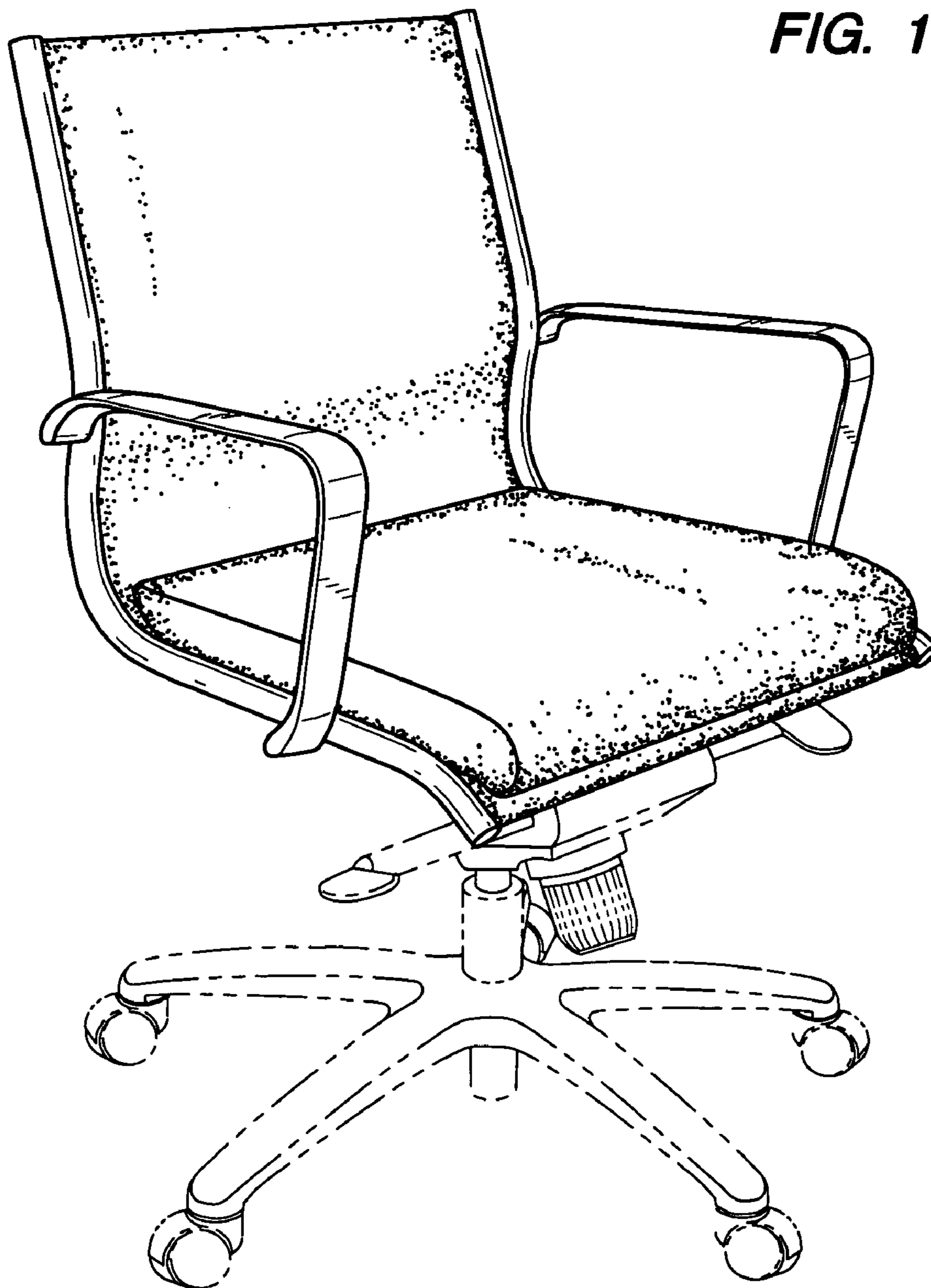
**U.S. PATENT DOCUMENTS**

- D328,395 S \* 8/1992 Neuser ..... D6/366
- D491,394 S \* 6/2004 Lee ..... D6/500
- D607,672 S \* 1/2010 Kubryk ..... D6/500
- D611,738 S \* 3/2010 Kubryk ..... D6/500

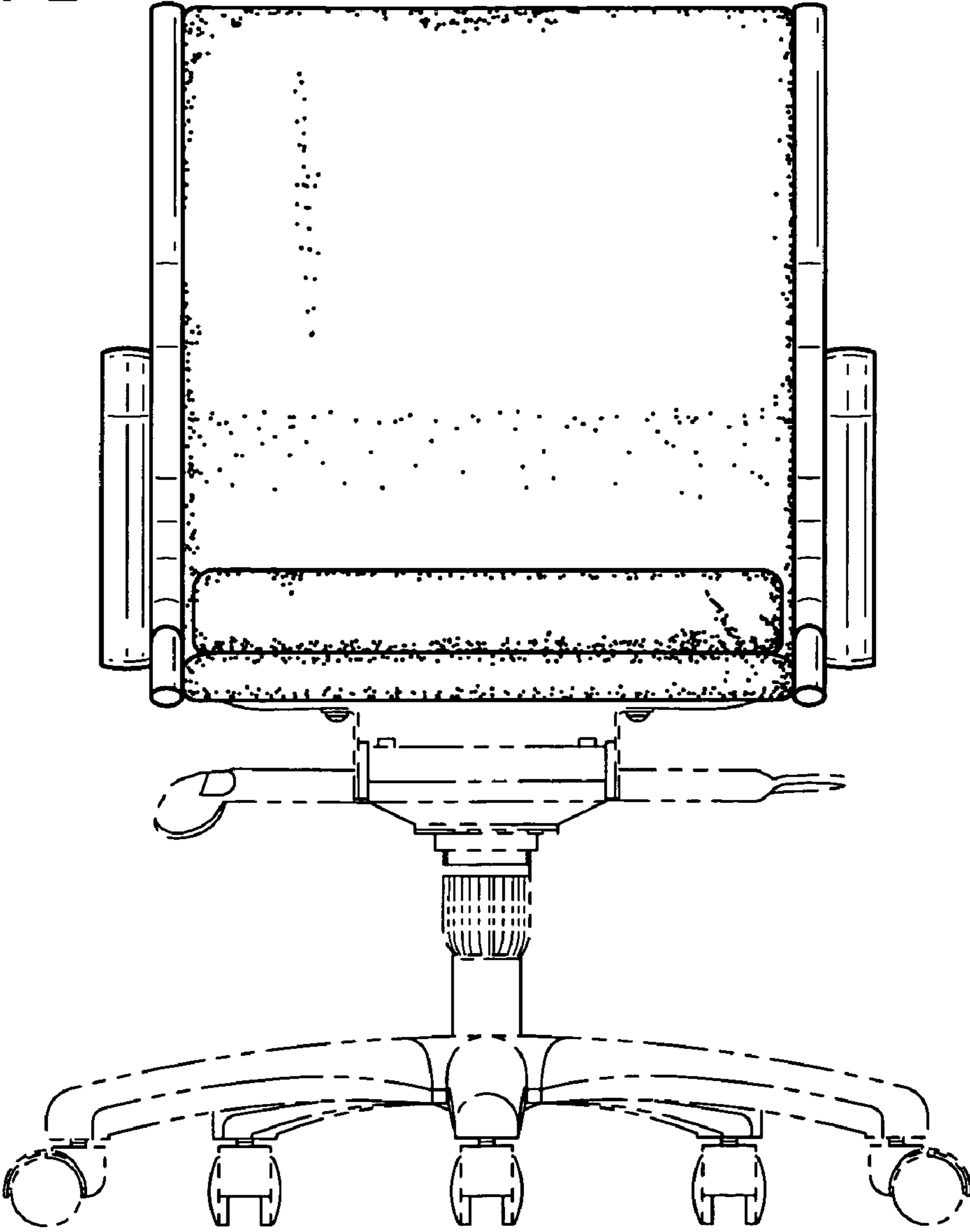
**1 Claim, 5 Drawing Sheets**



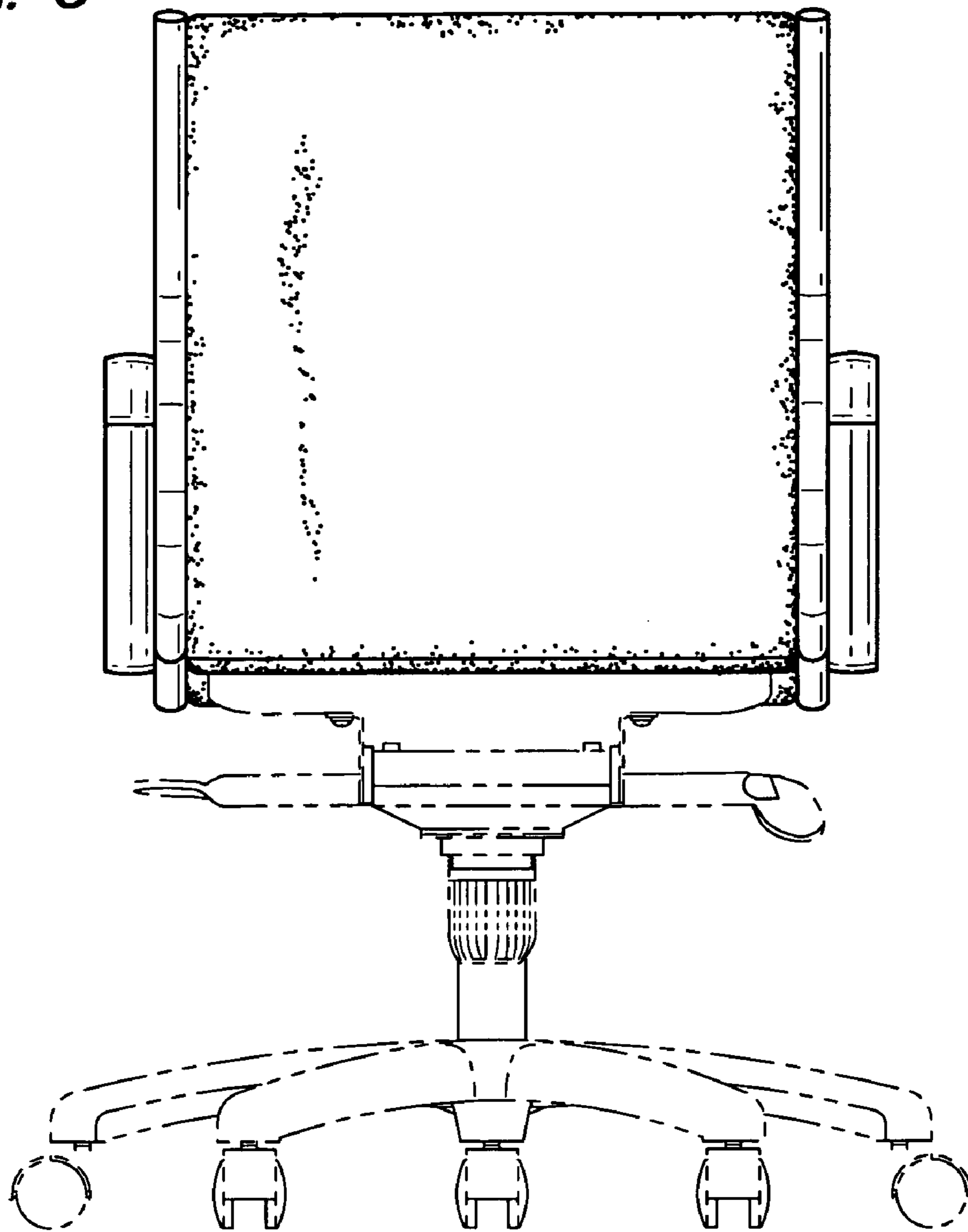
**FIG. 1**



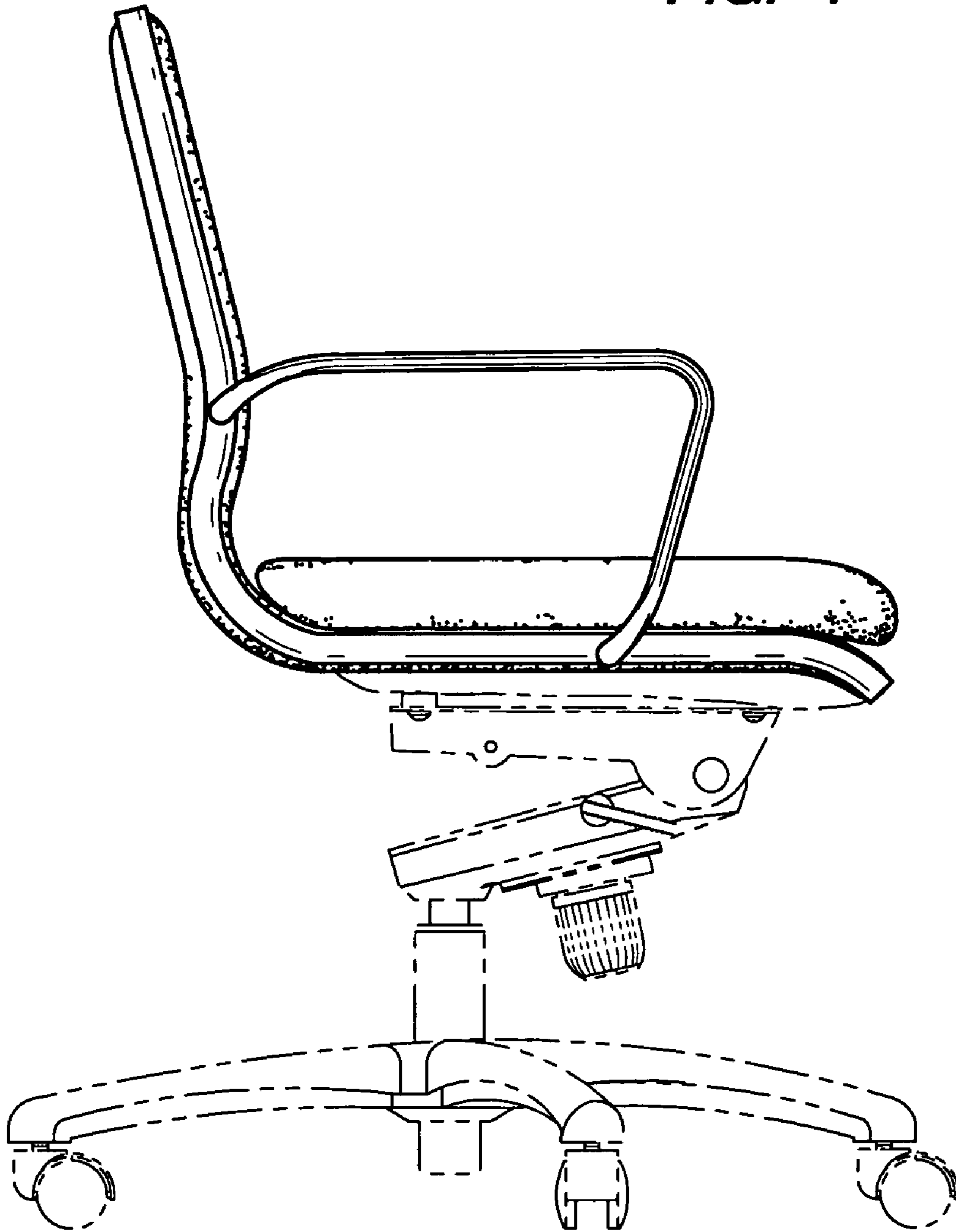
**FIG. 2**

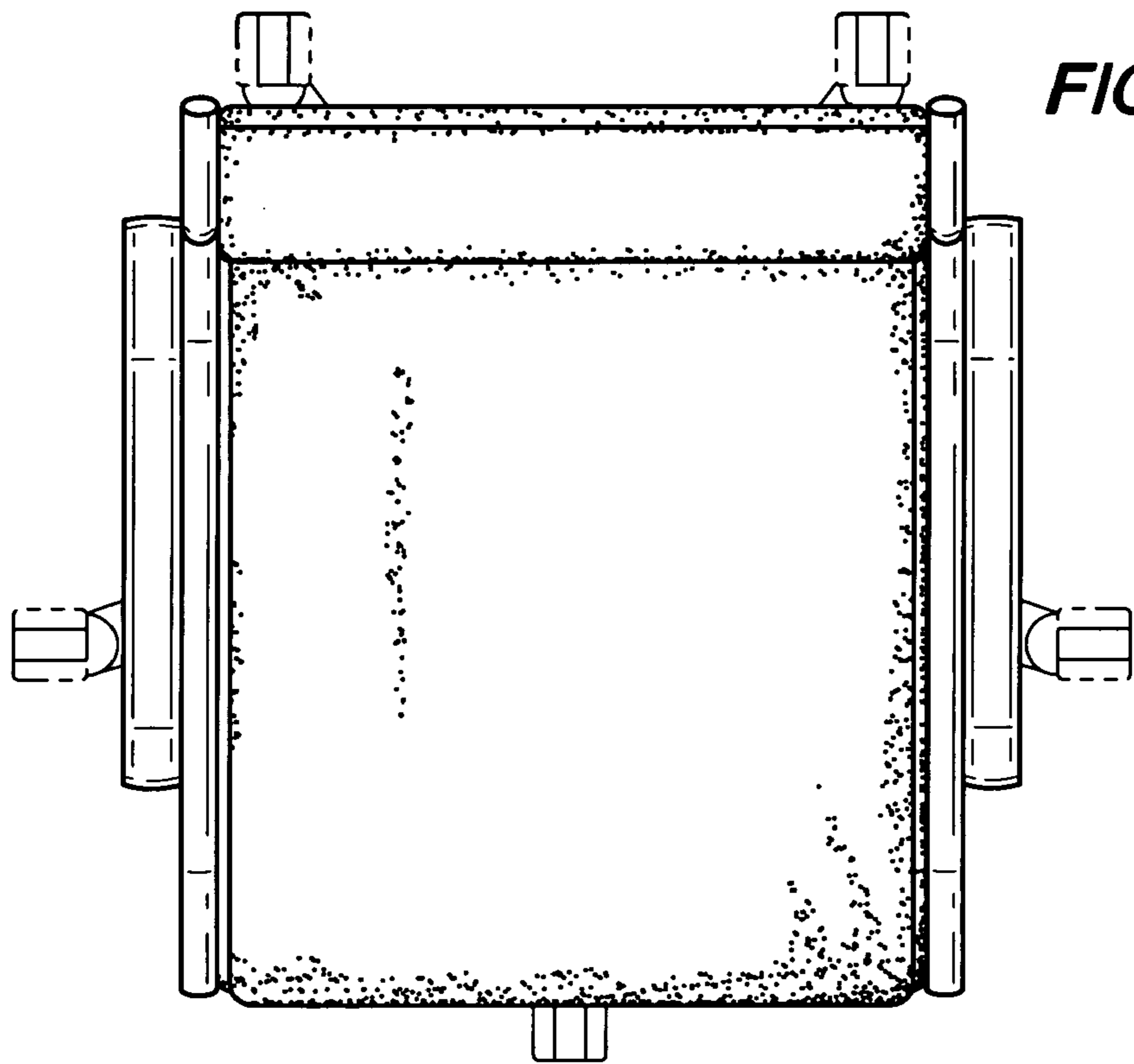


**FIG. 3**

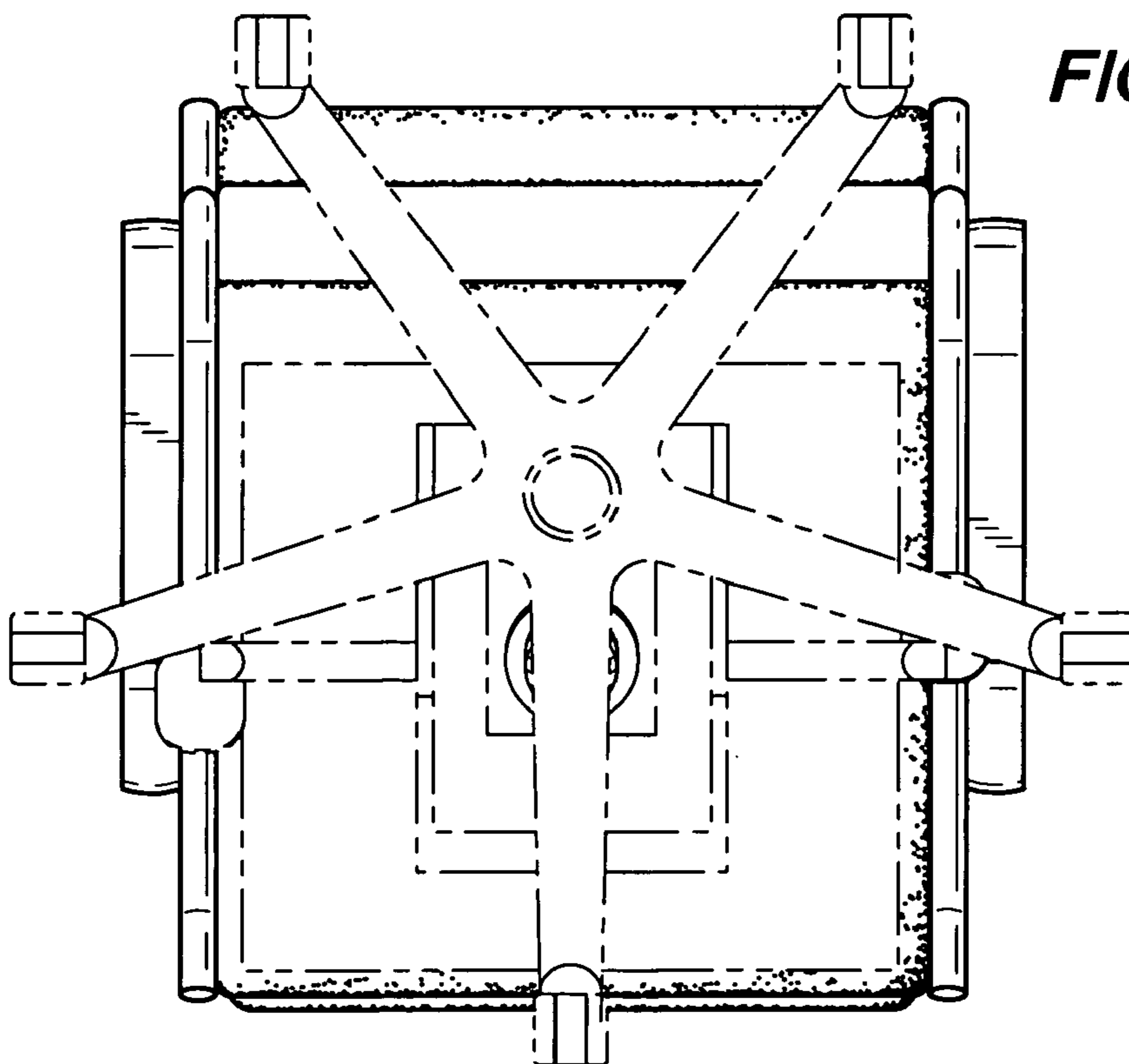


**FIG. 4**





**FIG. 5**



**FIG. 6**