



US00D623878S

(12) **United States Design Patent**
Jacobsen et al.

(10) **Patent No.:** **US D623,878 S**
(45) **Date of Patent:** **** Sep. 21, 2010**

(54) **TABLE ACCESSORY**

(75) Inventors: **Michael Jacobsen**, Middelfart (DK);
Lars Bruntse, Middelfart (DK); **Henrik
Olsson**, Middelfart (DK); **Poul
Christiansen**, Copenhagen S (DK);
Boris Berlin, Copenhagen S (DK)

(73) Assignee: **Howe A/S**, Middelfart (DK)

(**) Term: **14 Years**

(21) Appl. No.: **29/316,591**

(22) Filed: **Oct. 8, 2009**

(30) **Foreign Application Priority Data**

Apr. 27, 2009 (CN) 2009 3 0184657

(51) **LOC (9) Cl.** **06-06**

(52) **U.S. Cl.** **D6/491; D6/495**

(58) **Field of Classification Search** D6/480-489,
D6/495-499, 511, 429-431; 108/150, 153.1,
108/155, 156, 157.1, 161, 115, 118, 119,
108/120, 125, 126, 129, 130, 131, 124; 248/188,
248/188.1, 188.8

See application file for complete search history.

(56) **References Cited**

U.S. PATENT DOCUMENTS

5,205,223	A *	4/1993	Ball et al.	108/124
D507,902	S *	8/2005	Cioncada	D6/480
D574,164	S *	8/2008	Lambert et al.	D6/429
2008/0196635	A1 *	8/2008	Piretti	108/118
2009/0114130	A1 *	5/2009	Chirea et al.	108/124
2010/0071600	A1 *	3/2010	Lin	108/115

OTHER PUBLICATIONS

Howe A/S, Tempest Table, "Howe Tempest Newsletter," May 22, 2009, published by Howe A/S and distributed to dealers and architects on date of publication (May 2009).

Howe A/S, Prior design of Tempest Table, photos and images, design first presented to the market in 1974 by Howe A/S.

Wiesner Hager, N Table, Press Release, Nov. 2007, published online and available at: http://www.wiesner-hager.com/en/products/table-systems/n_table-293.html.

Wilkhahn, Timetable table, Press Release, Jun. 20, 2006, published online and available at: http://www.wilkhahn.com/loadframes.html?/0_meta/_redot/3099.htm.

* cited by examiner

Primary Examiner—Janice E Seeger

(74) *Attorney, Agent, or Firm*—Fross Zelnick Lehrman & Zissu, P.C.; Charles T. J. Weigell, Esq.

(57) **CLAIM**

The ornamental design for a table accessory, as shown and described.

DESCRIPTION

FIG. 1 is a front perspective view of a table accessory showing my new design;

FIG. 2 is a front view of the table accessory shown in FIG. 1;

FIG. 3 is a right side view of the table accessory shown in FIG. 1;

FIG. 4 is a left side view of the table accessory shown in FIG. 1;

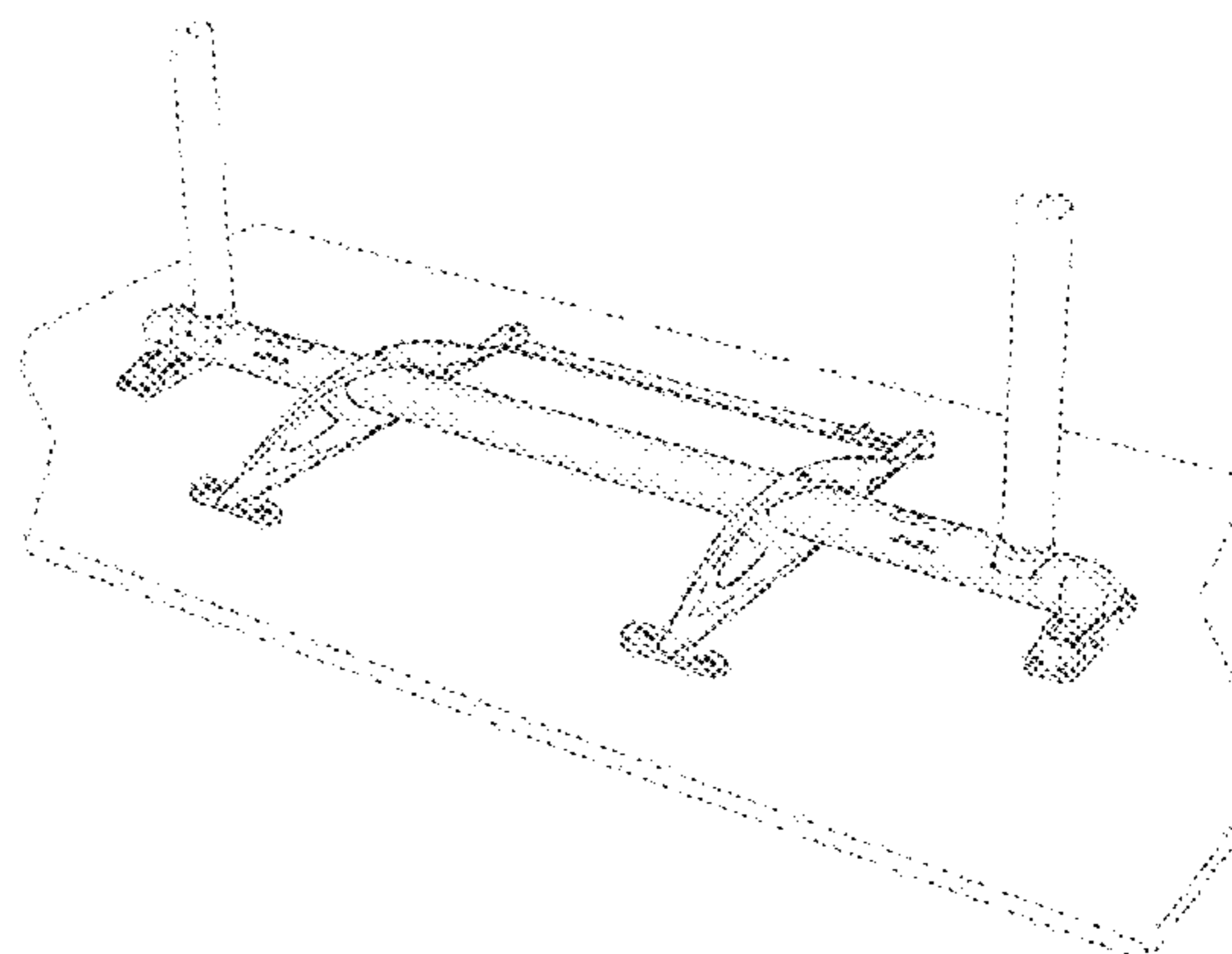
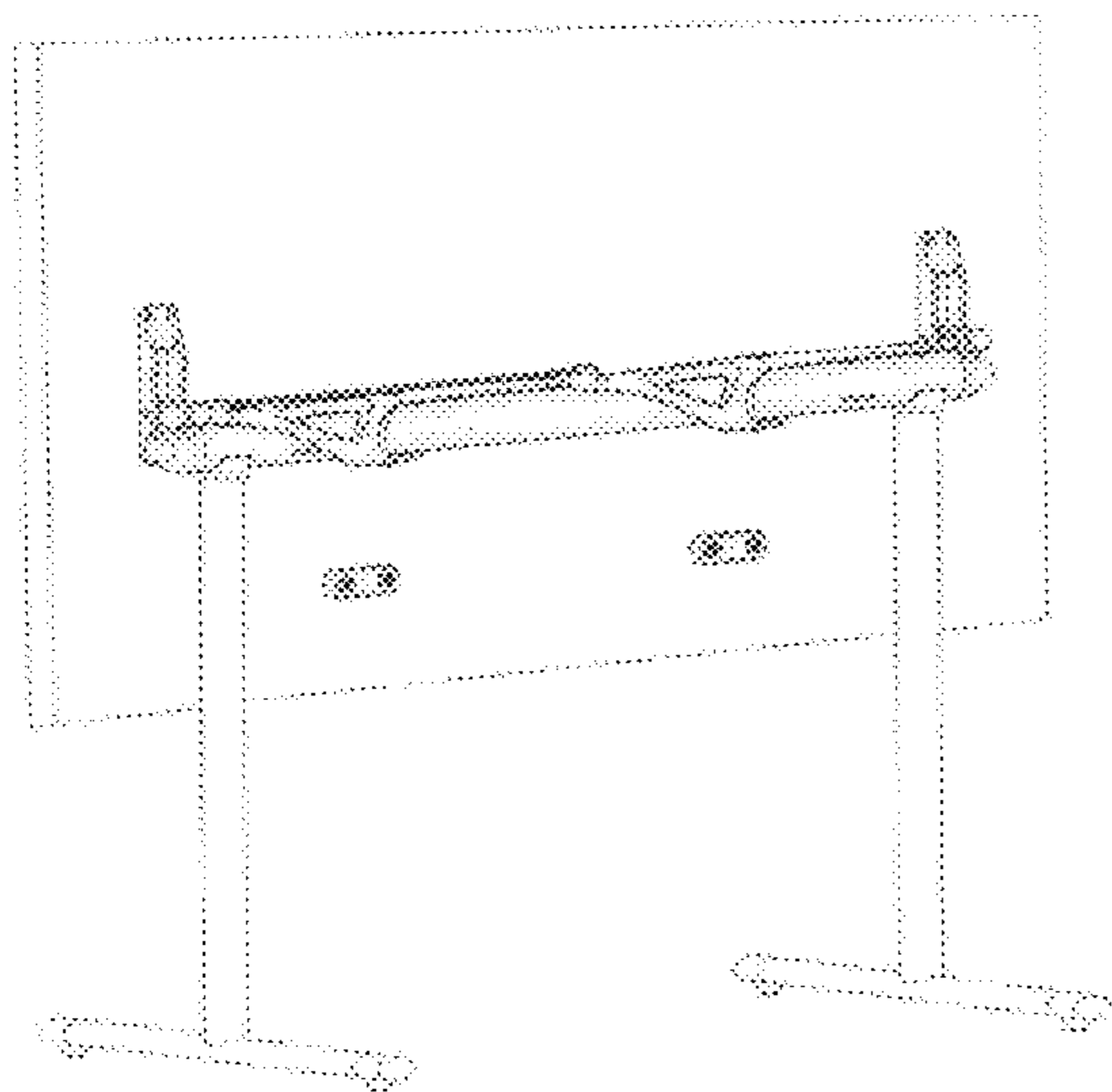
FIG. 5 is a top view of the table accessory shown in FIG. 1;

FIG. 6 is a bottom view of the table accessory shown in FIG. 1; and,

FIG. 7 is a bottom perspective view of the table accessory shown in FIG. 1.

The broken lines are for environmental purposes only and form no part of the claimed design.

1 Claim, 6 Drawing Sheets



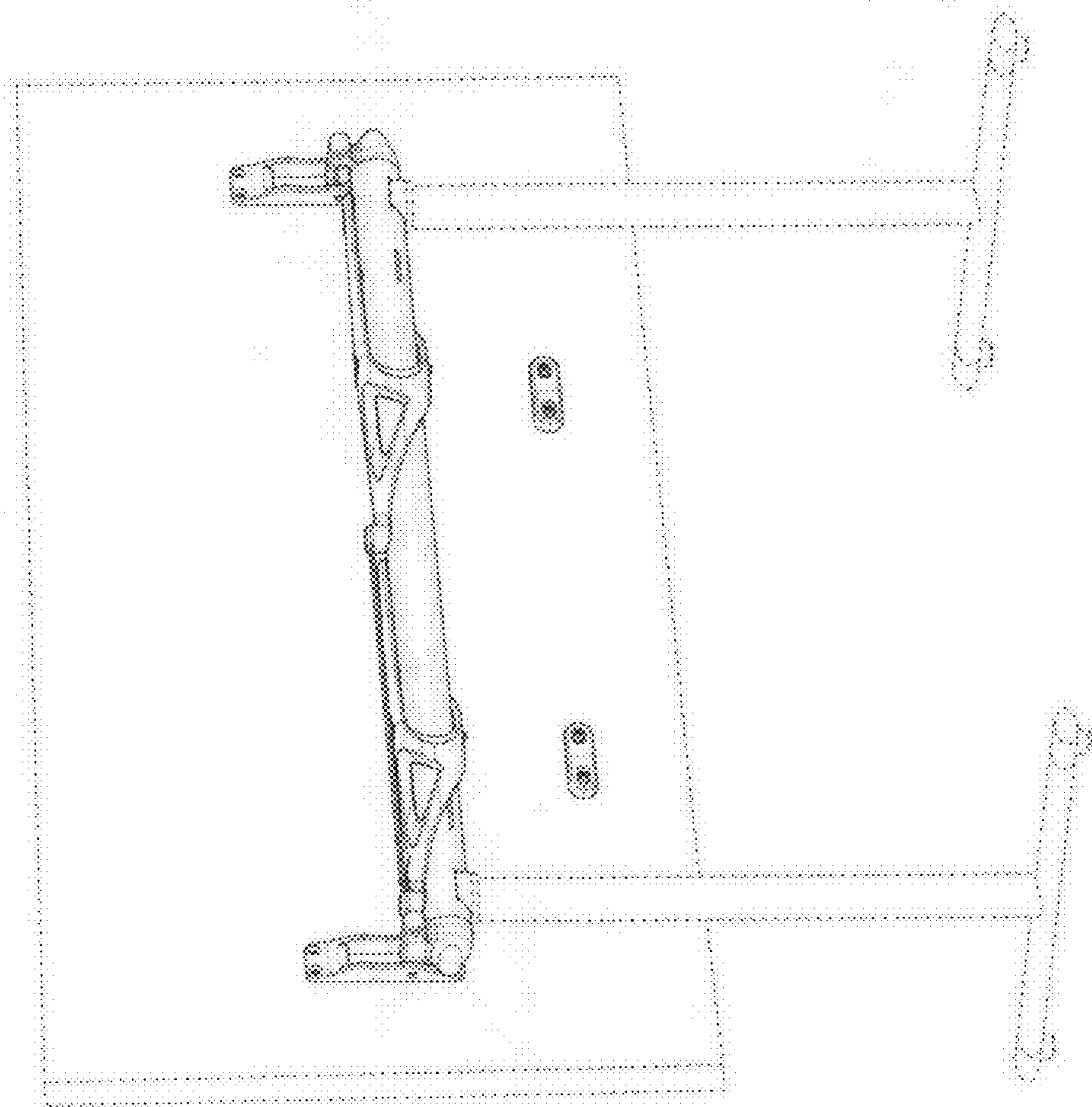


FIG. 1

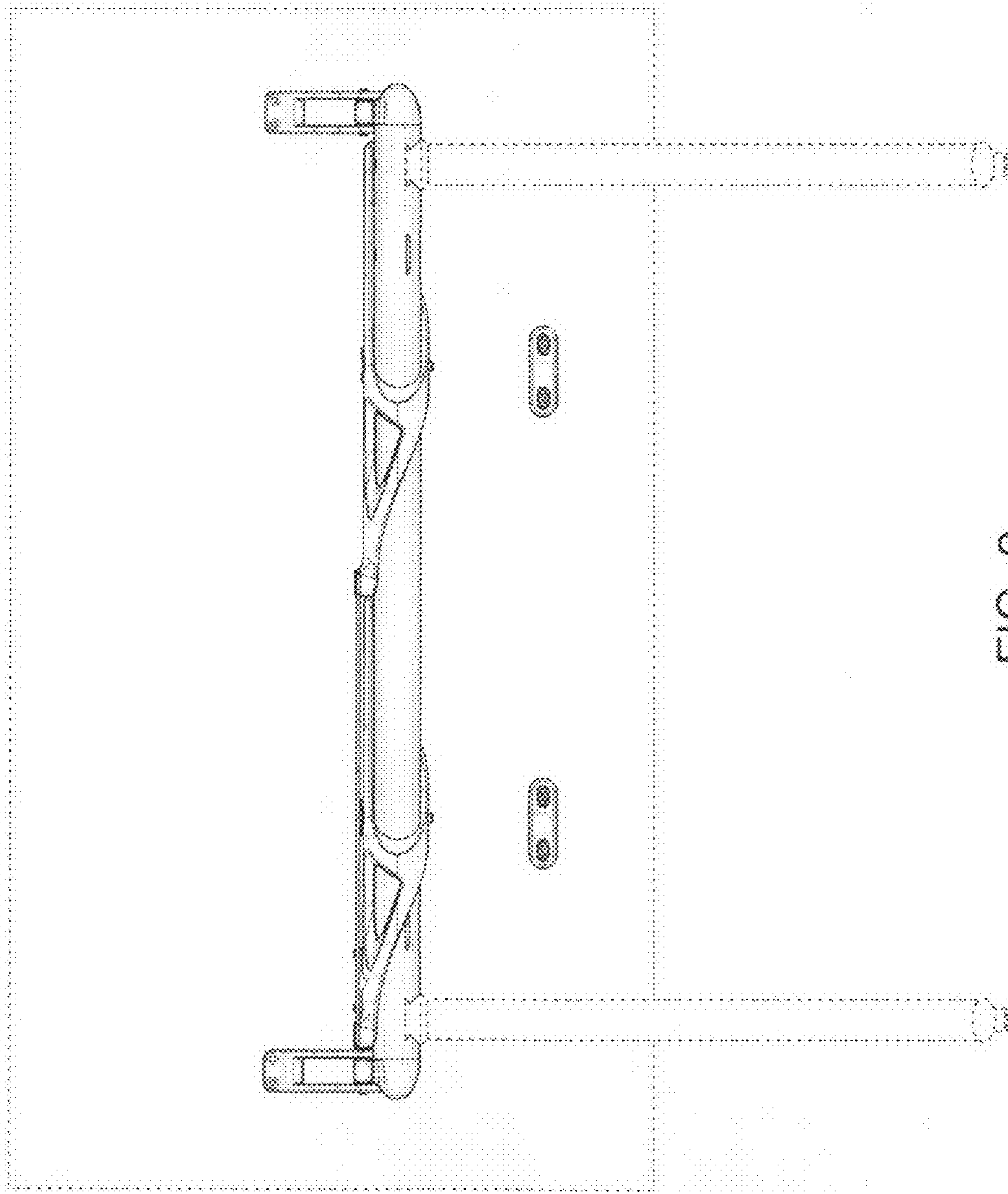


FIG. 2

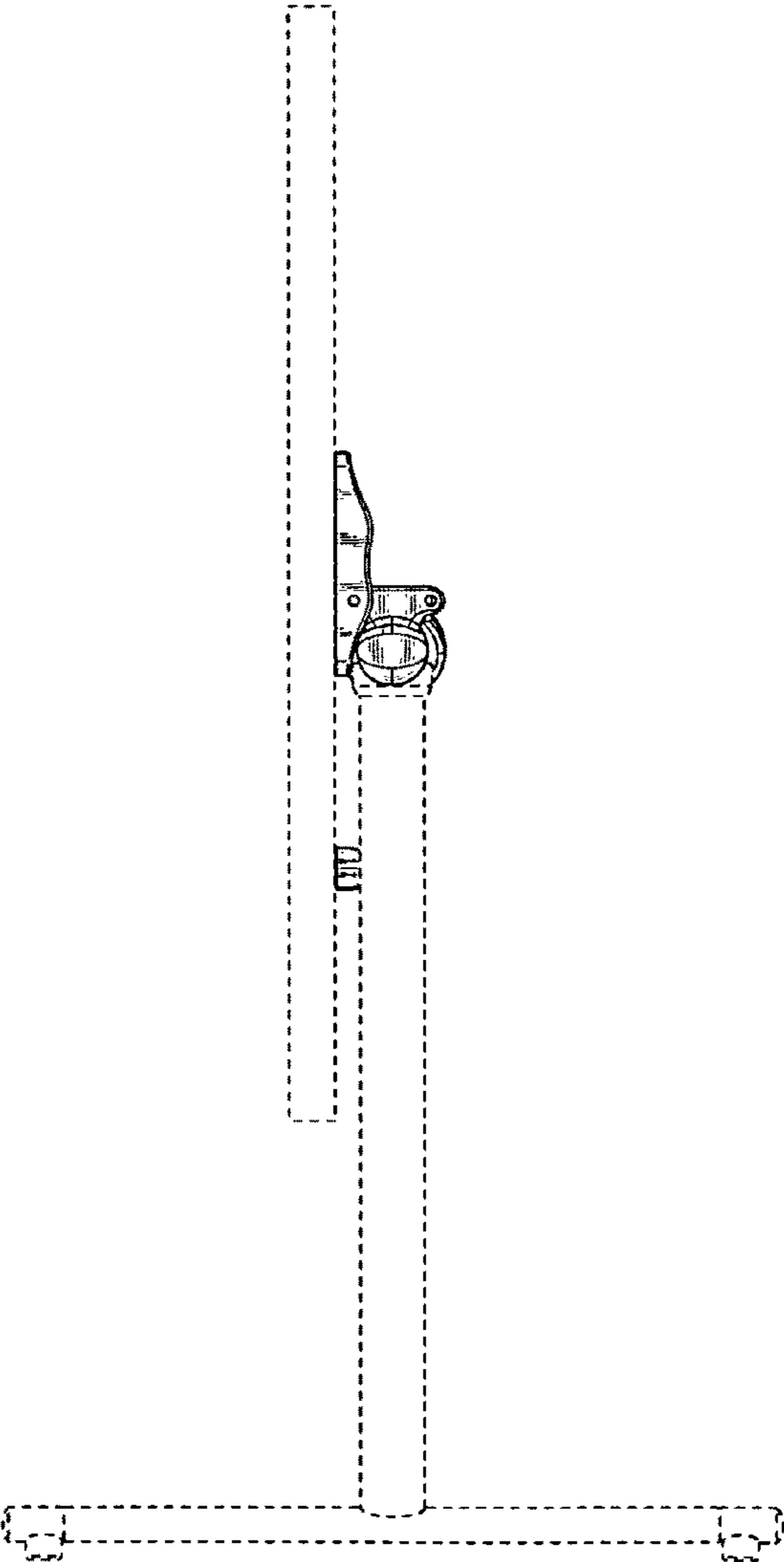


FIG. 3

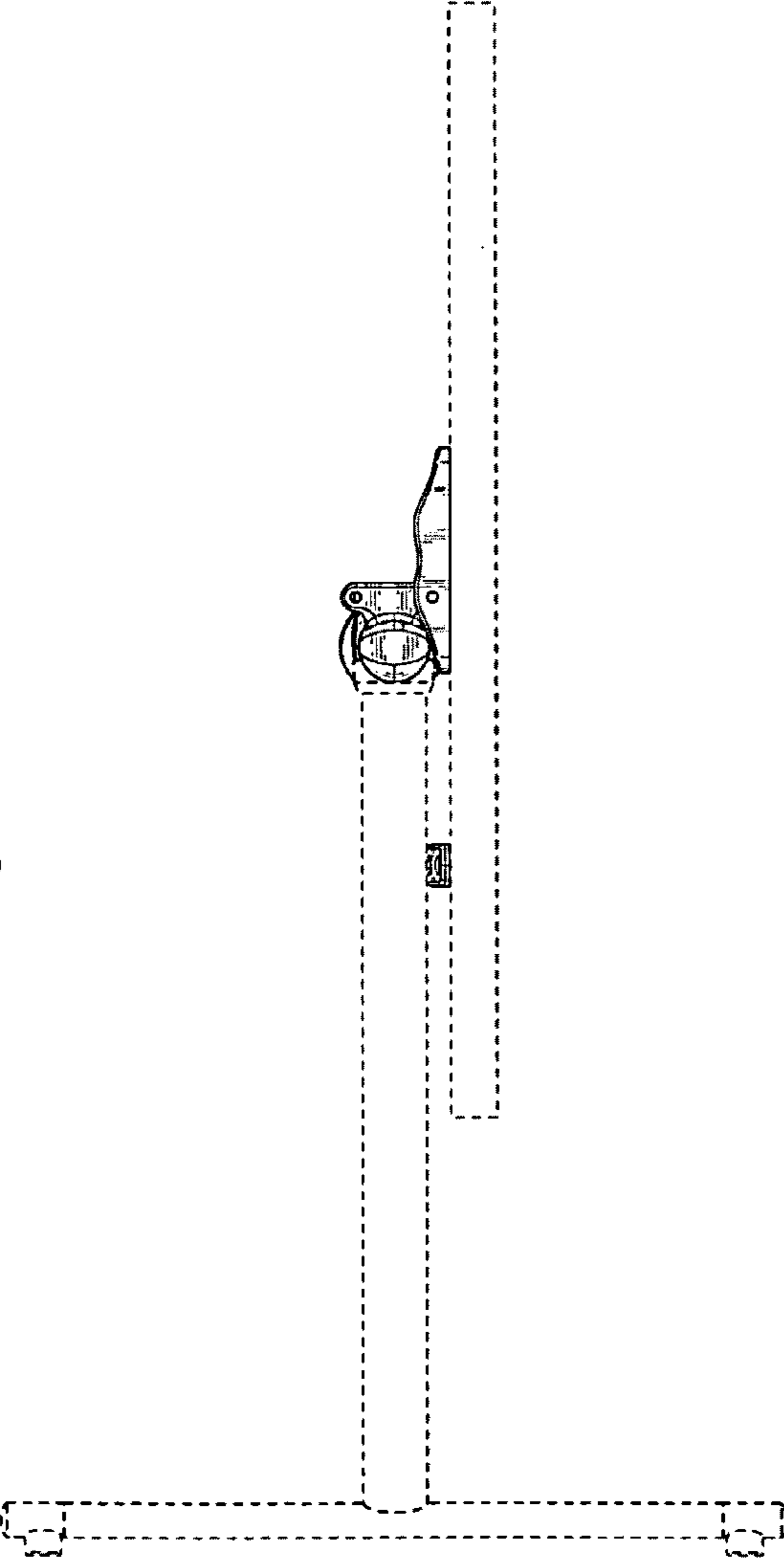


FIG. 4

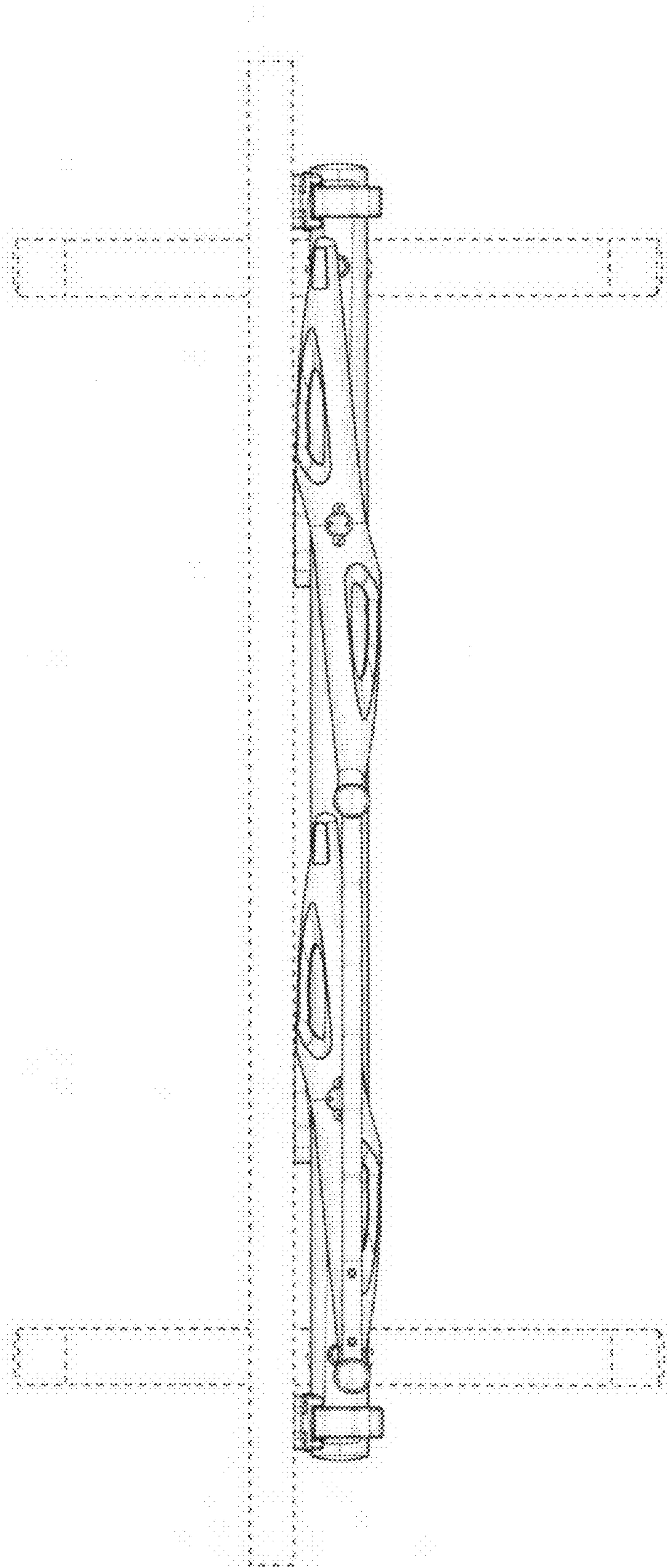


FIG. 5

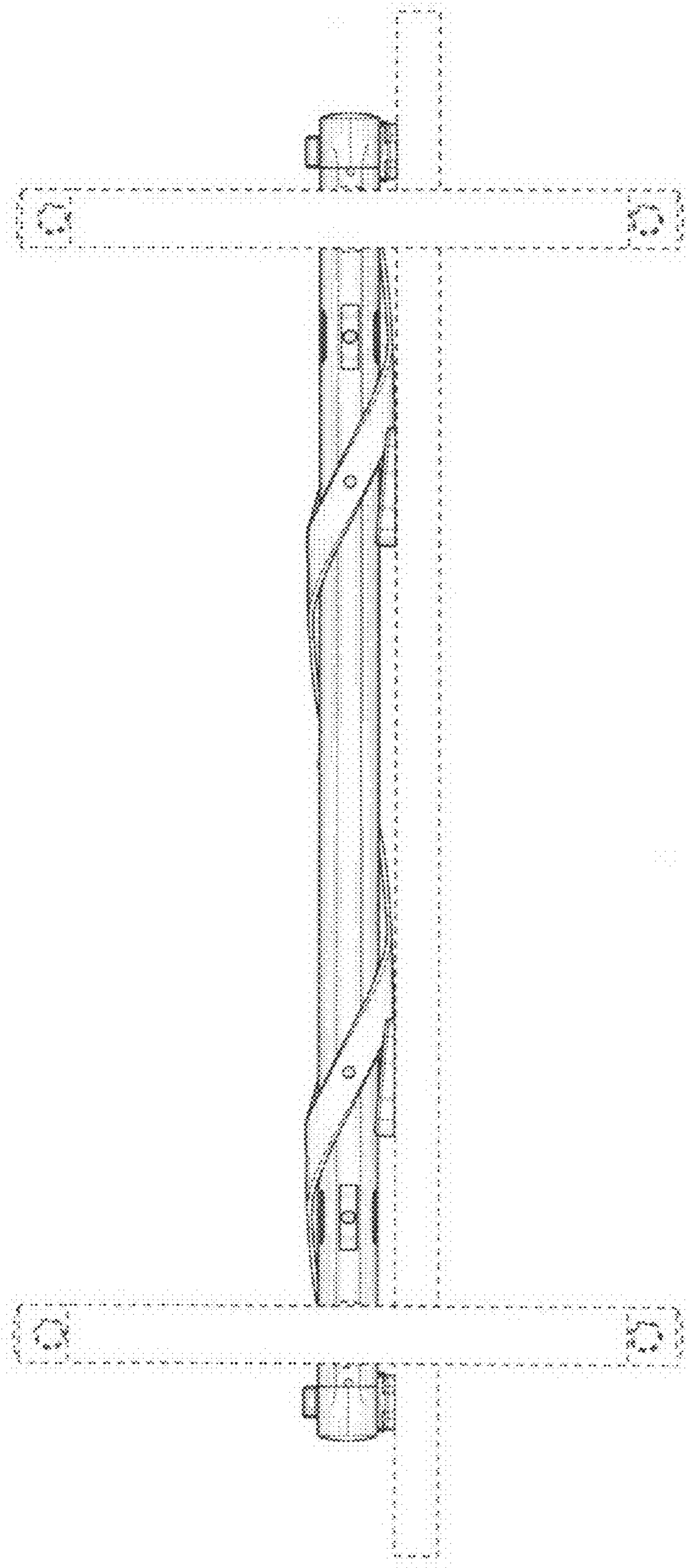


FIG. 6

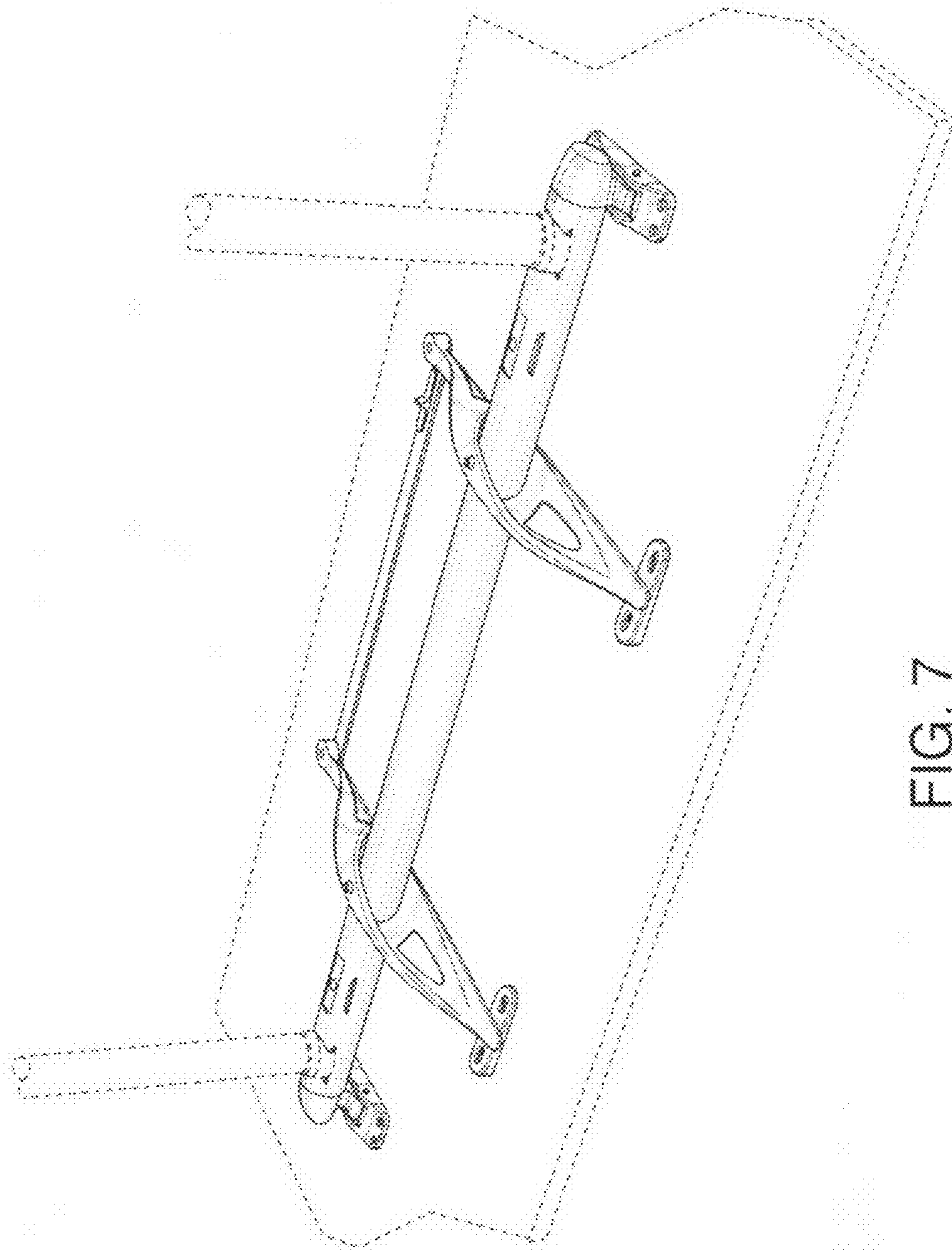


FIG. 7