



US00D623876S

(12) **United States Design Patent**
Zambelli

(10) **Patent No.:** **US D623,876 S**
(45) **Date of Patent:** **** Sep. 21, 2010**

- (54) **AUDIO VIDEO SHELVING UNIT**
- (75) Inventor: **Michael P. Zambelli**, Basking Ridge, NJ (US)
- (73) Assignee: **Bell'O International Corp.**, Morganville, NJ (US)
- (**) Term: **14 Years**
- (21) Appl. No.: **29/342,062**
- (22) Filed: **Aug. 18, 2009**

- (51) **LOC (9) Cl.** **06-04**
- (52) **U.S. Cl.** **D6/470; D6/446**
- (58) **Field of Classification Search** D6/432-448, D6/470, 477-479, 480; 312/7.2, 9.1, 109, 312/114, 117, 138.1, 204, 224, 237, 257.1, 312/278, 279

See application file for complete search history.

(56) **References Cited**

U.S. PATENT DOCUMENTS

- D25,732 S * 6/1896 Warren D6/446
- D364,053 S * 11/1995 Hayashi et al. D6/470
- D371,017 S * 6/1996 Walters et al. D6/436
- D454,731 S 3/2002 Niitsu et al.
- D458,053 S 6/2002 Luong
- D472,073 S 3/2003 de Carolis
- D472,074 S 3/2003 de Carolis
- D472,075 S 3/2003 de Carolis
- D489,548 S 5/2004 Malizia et al.
- D491,748 S 6/2004 deCarolis
- D491,749 S 6/2004 Malizia et al.
- D491,750 S 6/2004 Bertoncini et al.
- D491,753 S 6/2004 deCarolis
- D492,860 S 7/2004 Bertoncini et al.
- D493,982 S 8/2004 deCarolis
- D496,807 S 10/2004 deCarolis
- D497,060 S 10/2004 Chang et al.
- D497,061 S 10/2004 Decarolis
- D498,614 S * 11/2004 Kalaouze D6/470
- D499,582 S * 12/2004 McDiarmid D6/470
- D505,573 S 5/2005 Malizia

- D506,329 S 6/2005 Sexton
- D507,433 S 7/2005 Portnoy
- D507,900 S 8/2005 Sexton
- D508,172 S 8/2005 Malizia et al.
- D515,337 S 2/2006 deCarolis
- D515,849 S 2/2006 Niu
- D516,838 S 3/2006 Portnoy
- D516,840 S 3/2006 deCarolis
- D516,847 S 3/2006 Stenhouse et al.
- D519,757 S 5/2006 Portnoy
- D524,080 S 7/2006 Stenhouse et al.
- D525,052 S 7/2006 Malizia et al.
- D525,054 S 7/2006 Stenhouse et al.
- D527,208 S 8/2006 Malizia et al.

(Continued)

OTHER PUBLICATIONS

Bell'O's 2005-2006 Product Catalog.

Primary Examiner—Mimosa De

(74) *Attorney, Agent, or Firm*—Lerner, David, Littenberg, Krumholz & Mentlik, LLP

(57) **CLAIM**

The ornamental design for audio video shelving unit, as shown and described.

DESCRIPTION

FIG. 1 is a front perspective view of my design for an audio video shelving unit;

FIG. 2 is a front elevational view thereof;

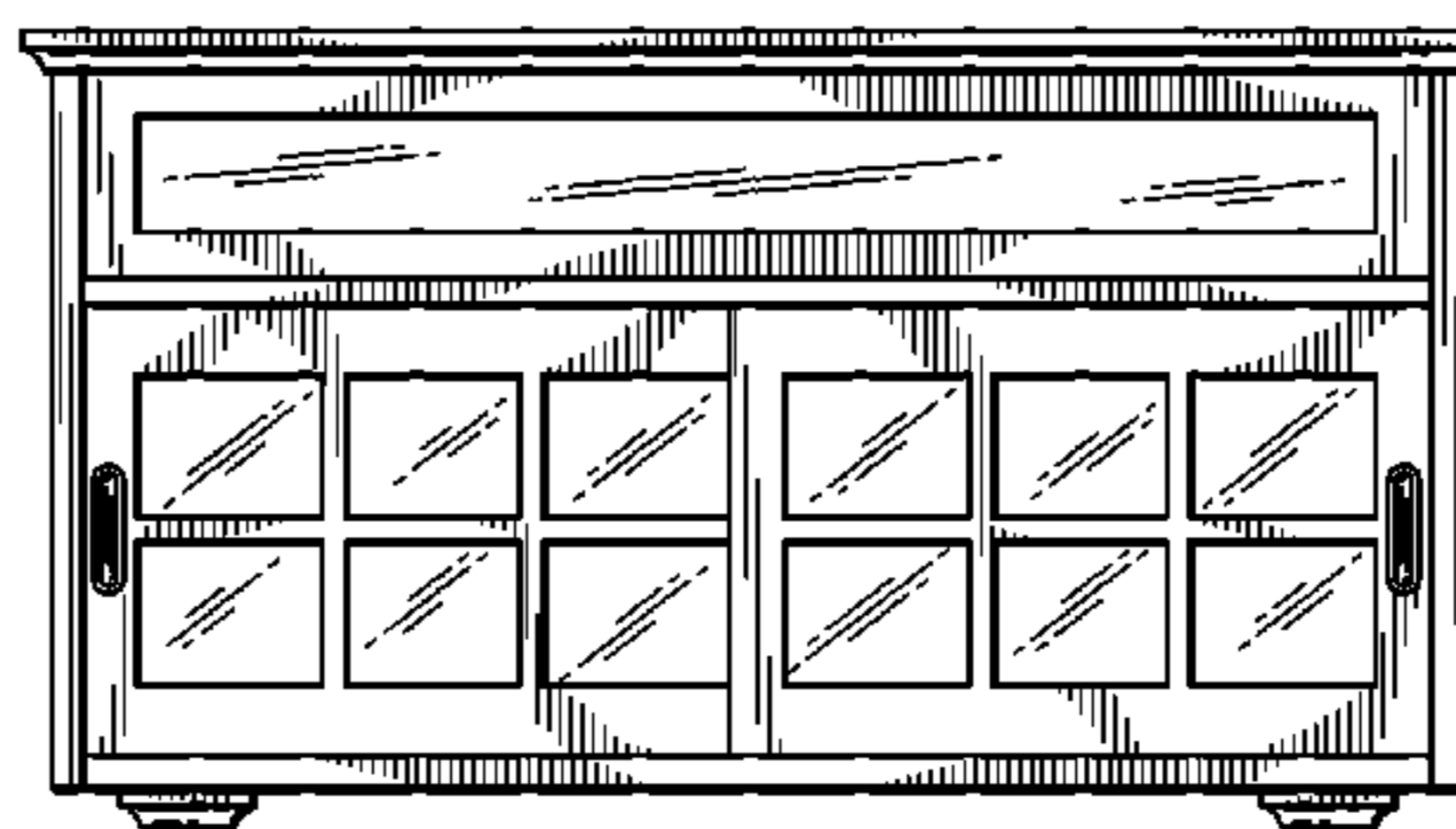
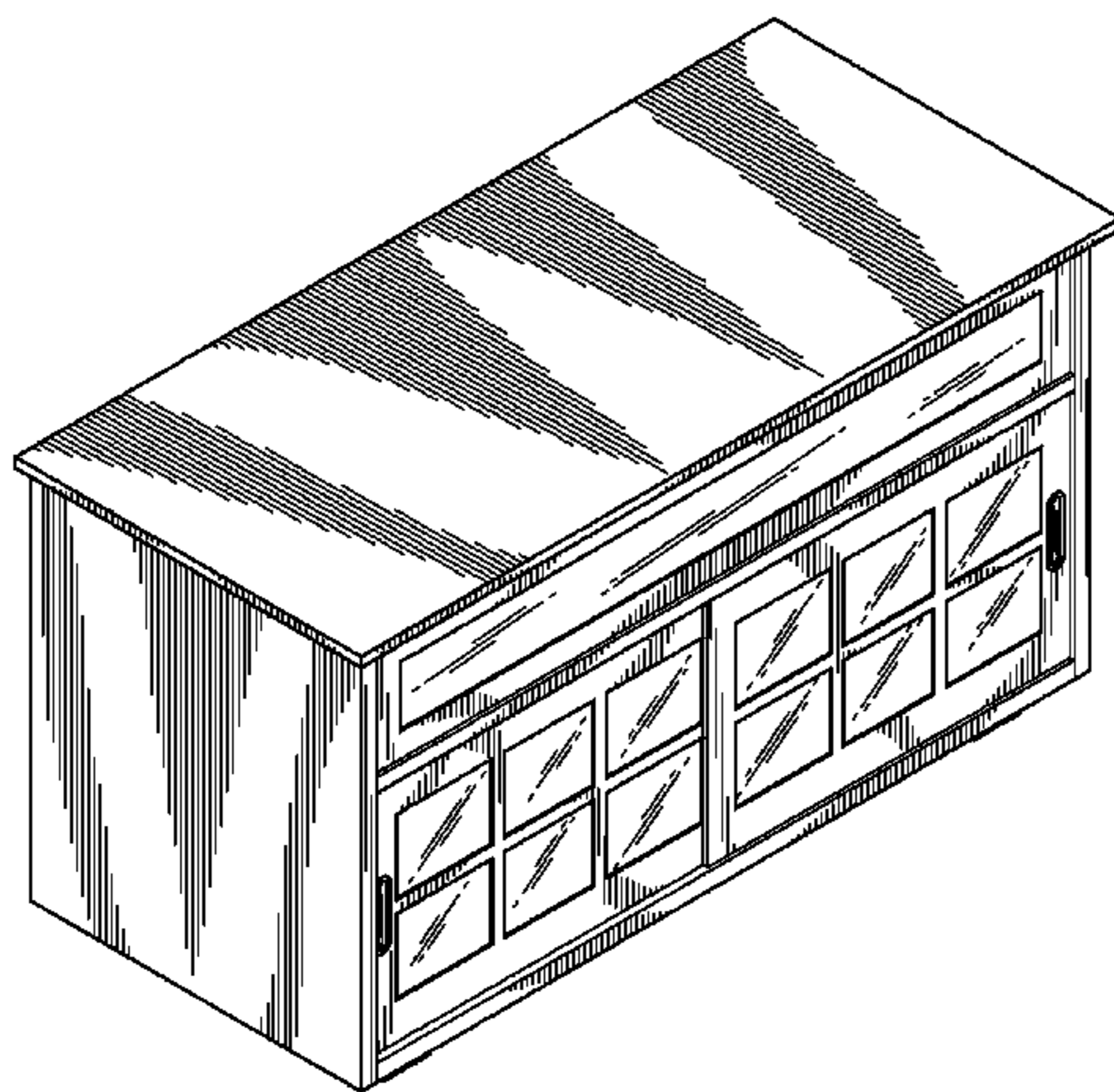
FIG. 3 is a rear elevational view thereof;

FIG. 4 is a top plan view thereof; and,

FIG. 5 is a right side view thereof (the left side being a mirror image of the right side view).

The broken lines shown on the drawings are included for the purpose of illustration and form no part of the claimed design.

1 Claim, 5 Drawing Sheets



US D623,876 S

Page 2

U.S. PATENT DOCUMENTS

D528,827 S	*	9/2006	Becker	D6/470	D564,789 S	3/2008	deCarolis	
D535,497 S		1/2007	Portnoy		D564,796 S	3/2008	Zambelli	
D537,656 S		3/2007	Stenhouse et al.		D586,585 S	*	2/2009	Hynes
D543,729 S		6/2007	Weatherly		D587,483 S		3/2009	Zambelli
D549,991 S		9/2007	Stravitz		D587,496 S		3/2009	Weitz
D554,393 S		11/2007	Yalif		D587,497 S		3/2009	Zambelli
D555,397 S		11/2007	Yalif		D589,280 S		3/2009	Zambelli
D559,583 S		1/2008	Zambelli		D590,636 S		4/2009	Ou Yang et al.
D559,584 S		1/2008	Zambelli		D590,637 S		4/2009	Portnoy
D560,077 S		1/2008	Zambelli		D592,428 S		5/2009	Zambelli
D562,593 S		2/2008	Zambelli		D594,248 S		6/2009	Zambelli
D564,260 S		3/2008	deCarolis		D595,978 S		7/2009	Portnoy et al.
D564,261 S		3/2008	Sculler		D599,584 S		9/2009	Zambelli

* cited by examiner

FIG. 1

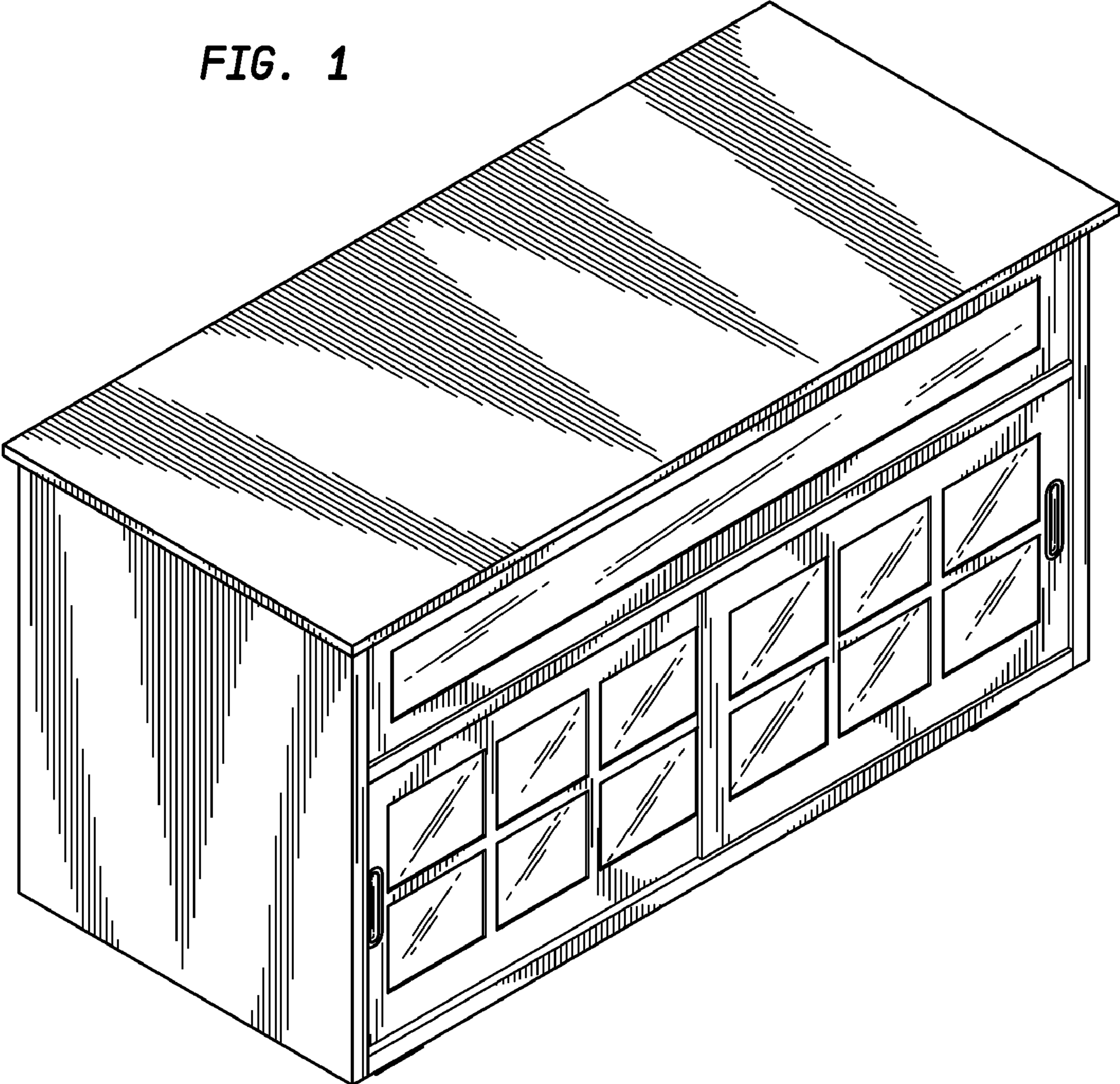


FIG. 2

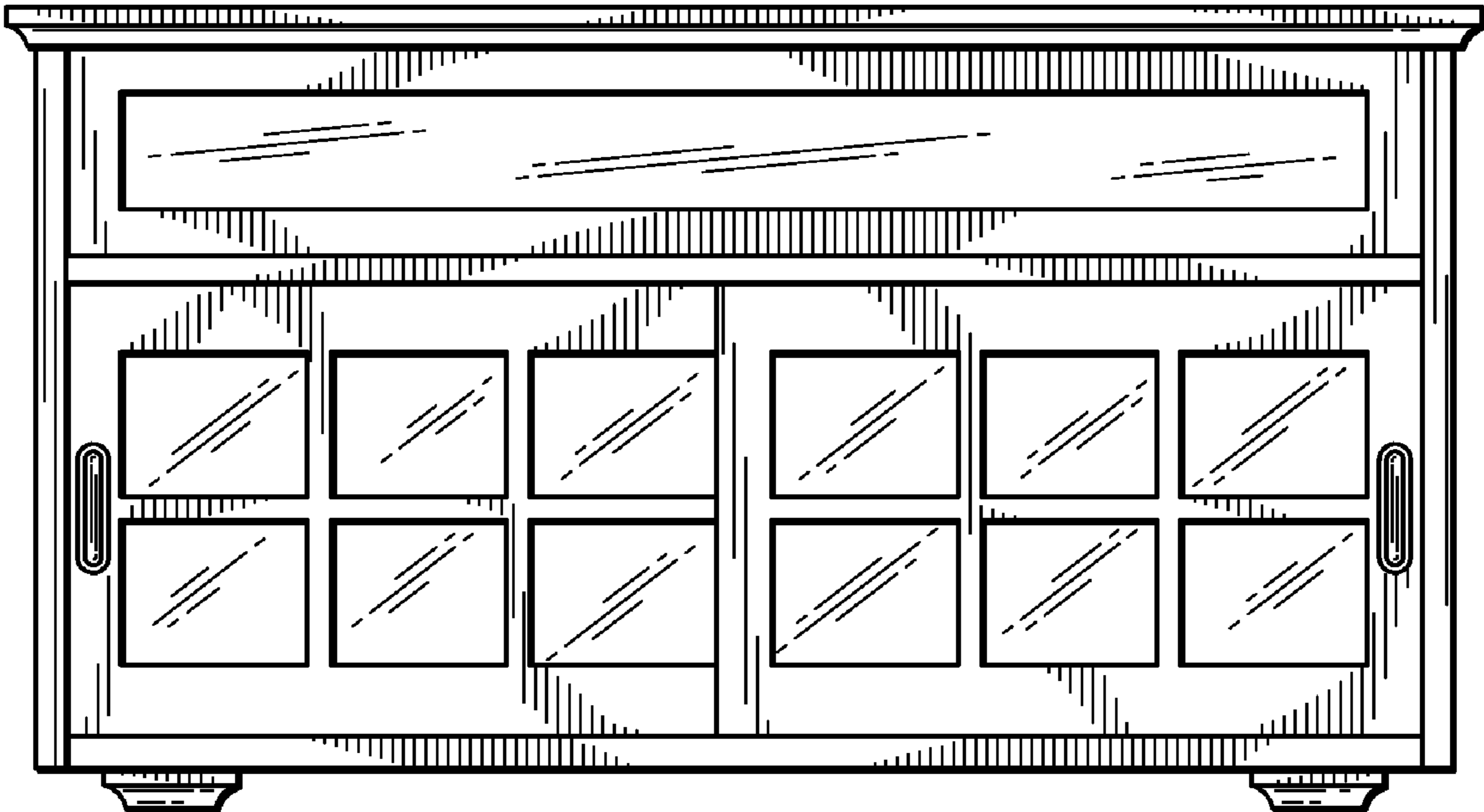


FIG. 3

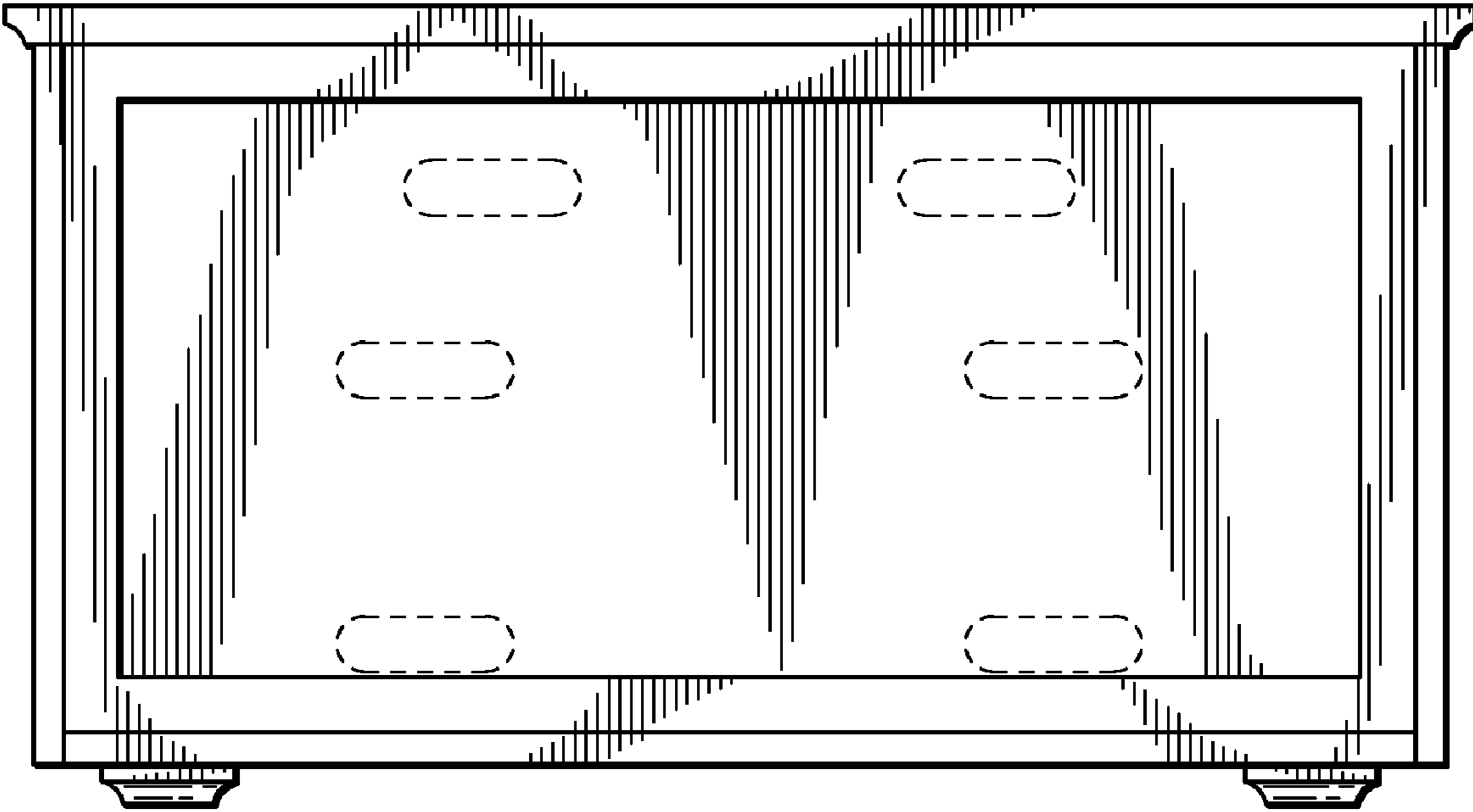


FIG. 4

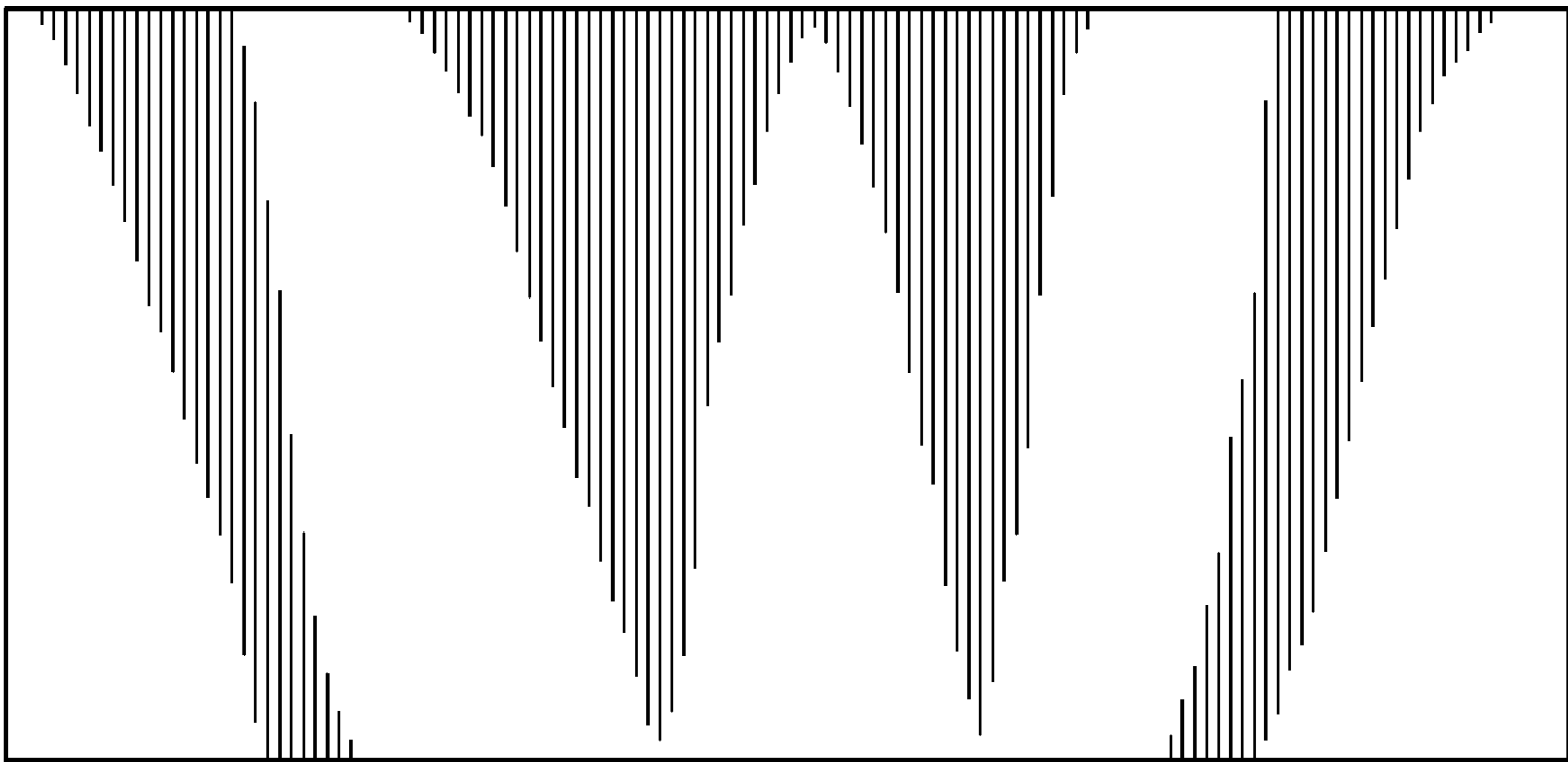


FIG. 5

