



US00D623874S

(12) **United States Design Patent**  
**Jones**

(10) **Patent No.:** **US D623,874 S**  
(45) **Date of Patent:** **\*\* Sep. 21, 2010**

(54) **LID FOR A QUARTER PALLET DISPLAY**

(75) Inventor: **Ross Wayne Jones**, Chillicothe, MO (US)

(73) Assignee: **Midwest Quality Gloves, Inc.**, Chillicothe, MO (US)

(\*\*) Term: **14 Years**

(21) Appl. No.: **29/340,375**

(22) Filed: **Jul. 17, 2009**

(51) **LOC (9) Cl.** ..... **06-04**

(52) **U.S. Cl.** ..... **D6/449**

(58) **Field of Classification Search** ..... D6/396, D6/406.3, 406.6, 414, 449, 457-461, 466-468, D6/470, 473-475, 495, 509-511; D34/38; 248/346.01, 346.02; 53/399; 150/154; 206/461, 206/499, 386, 597, 598, 600, 804; 108/57.28, 108/55.5, 901; 220/1.5, 4.31, 4.27, 4.28, 220/254.3; 211/126.1, 126.2

See application file for complete search history.

(56) **References Cited**

**U.S. PATENT DOCUMENTS**

- 3,330,228 A \* 7/1967 Donnelly ..... 108/57.27
- 3,371,816 A \* 3/1968 Ricci ..... 220/4.28
- 3,699,902 A \* 10/1972 Allgeyer et al. .... 108/57.26
- 3,707,929 A \* 1/1973 Lauffer ..... 108/57.15
- 3,797,691 A \* 3/1974 Williams, Jr. .... 220/1.5

- 4,550,830 A \* 11/1985 Shuert ..... 206/386
- 4,606,278 A \* 8/1986 Shuert ..... 108/57.27
- 4,871,063 A \* 10/1989 Kumbier ..... 206/386
- D334,304 S \* 3/1993 Gilman ..... D6/449
- 5,356,014 A \* 10/1994 Berner ..... 206/600
- D376,497 S \* 12/1996 Elrod et al. .... D6/449
- D519,121 S \* 4/2006 Zamanian ..... D14/447
- 7,128,209 B2 \* 10/2006 Bringard et al. .... 206/386

\* cited by examiner

*Primary Examiner*—Caron Veynar

*Assistant Examiner*—Abraham Bahta

(74) *Attorney, Agent, or Firm*—Erickson, Kernell, Derousseau & Kleypas, LLC

(57) **CLAIM**

The ornamental design for a lid for a quarter pallet display, as shown and described.

**DESCRIPTION**

FIG. 1 is a top view of the lid in accordance with the present invention;

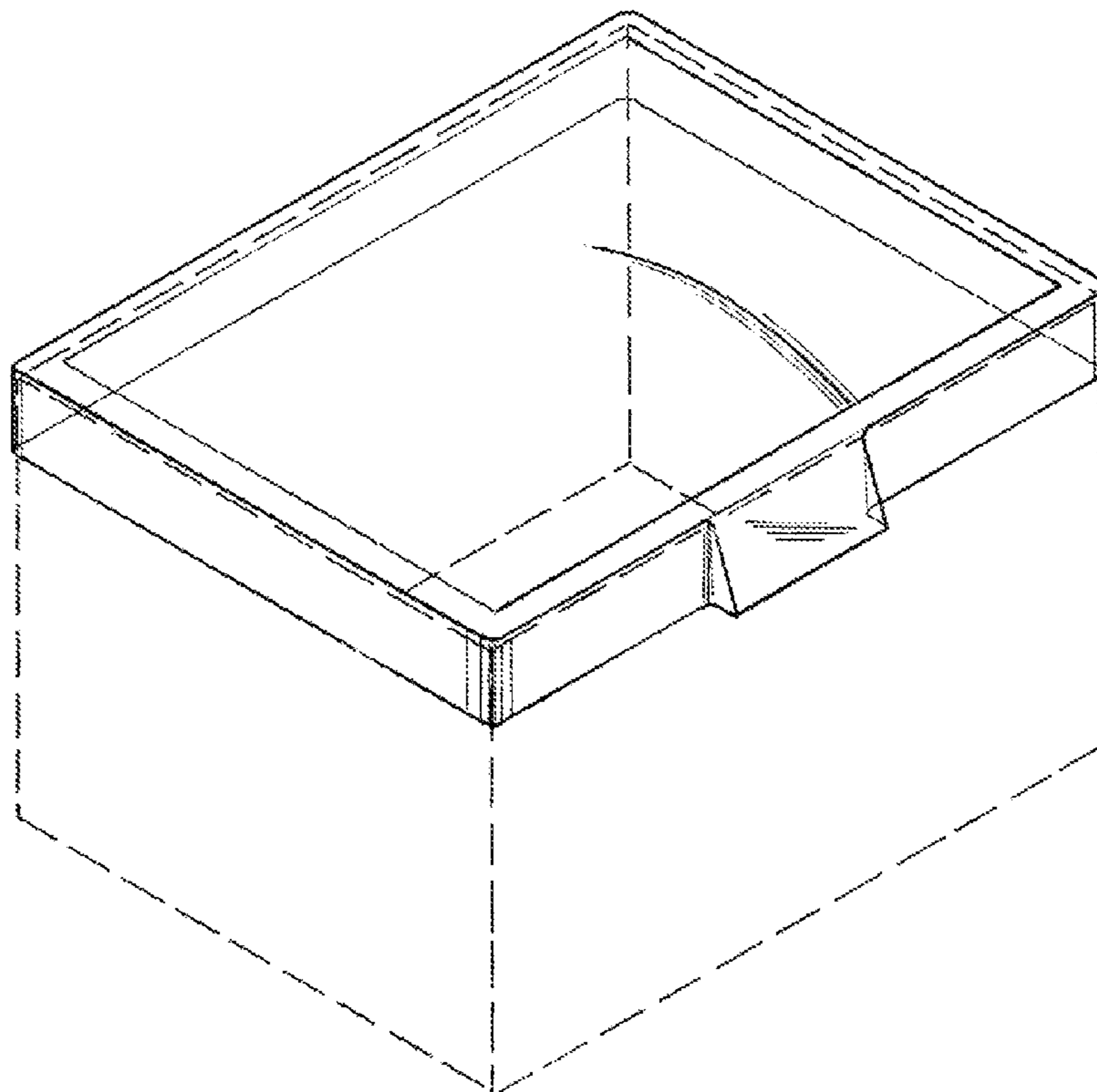
FIG. 2 is a front end view of the lid of FIG. 1;

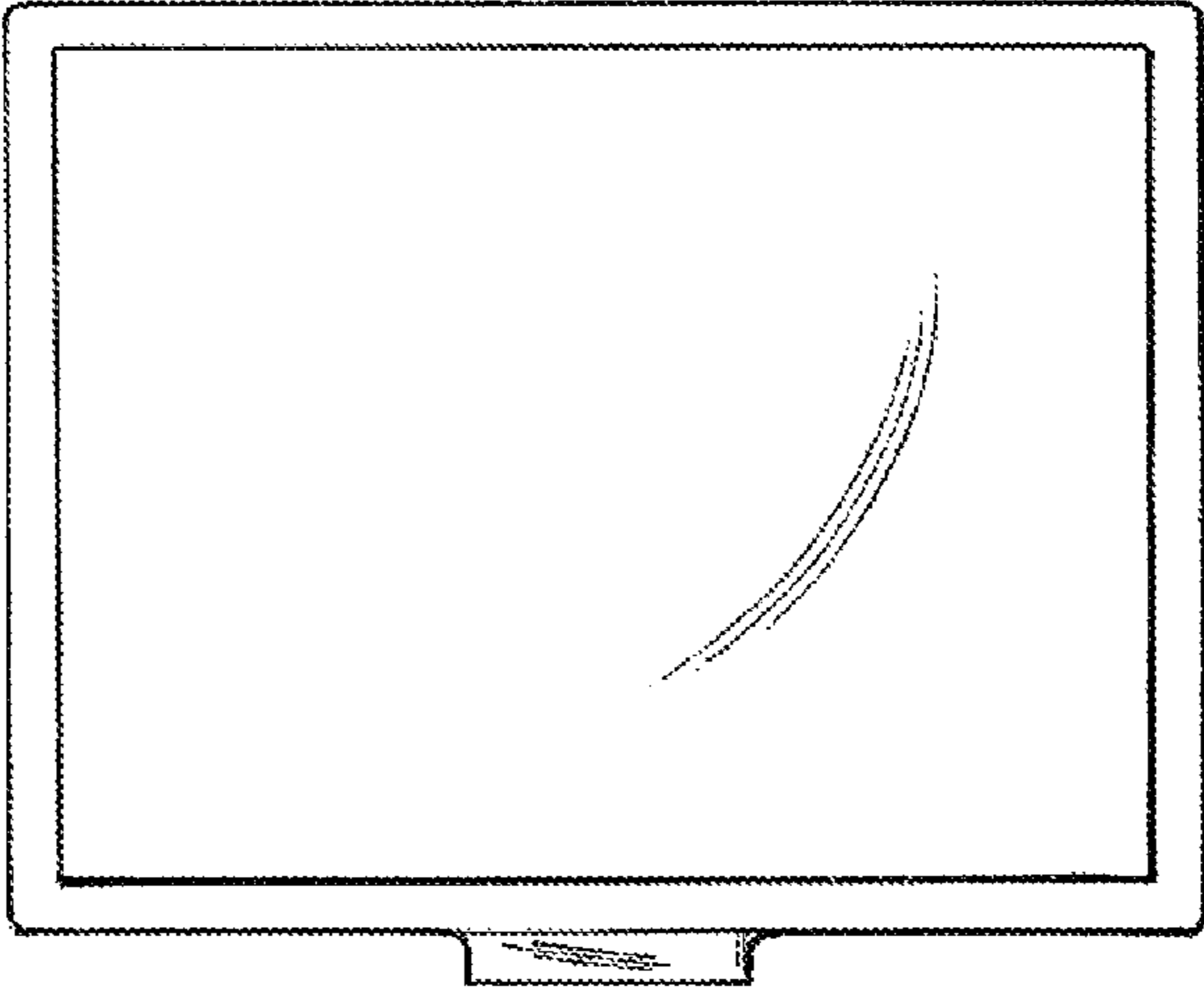
FIG. 3 is a side view of the lid of FIG. 1; and,

FIG. 4 is a perspective view of the lid of FIG. 1 shown covering a quarter pallet display.

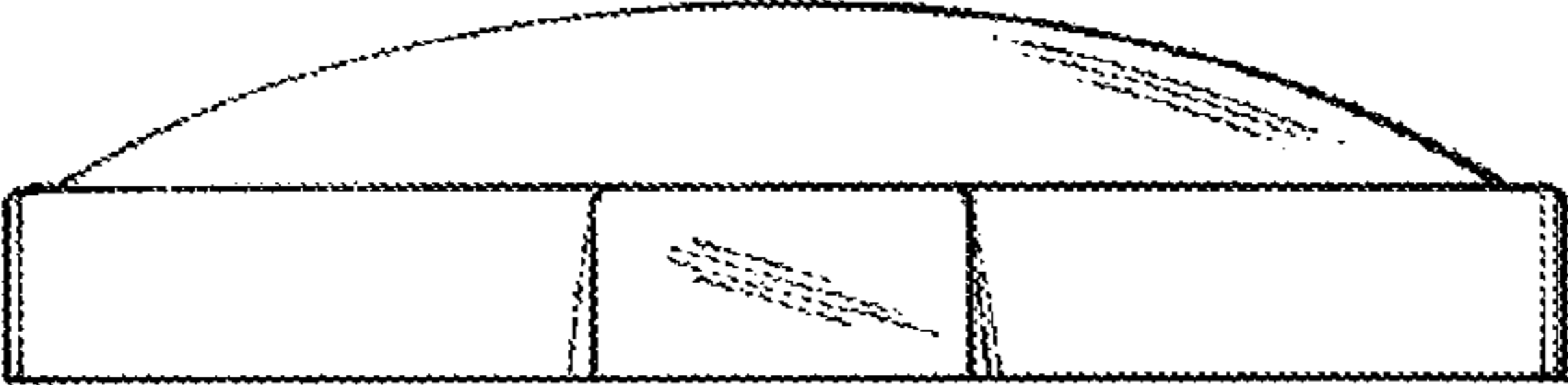
The broken lines in the Figures are for illustrative purposes of the environmental structure only and form no part of the claimed design.

**1 Claim, 1 Drawing Sheet**





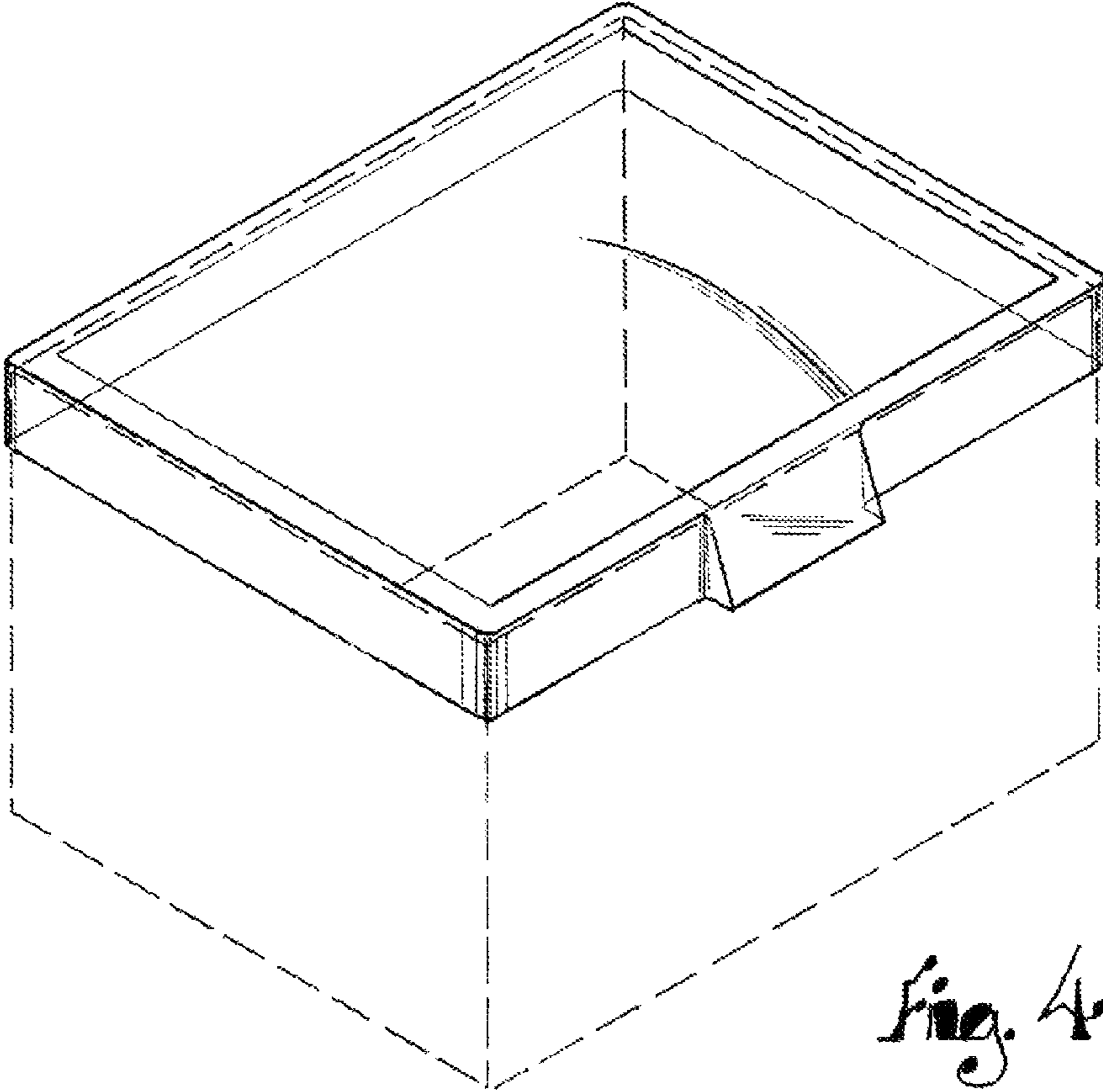
*Fig. 1*



*Fig. 2*



*Fig. 3*



*Fig. 4*