



US00D623868S

(12) **United States Design Patent**  
**Schiestl**

(10) **Patent No.:** **US D623,868 S**

(45) **Date of Patent:** **\*\* Sep. 21, 2010**

(54) **KNOB**

(76) **Inventor:** **John Schiestl**, 100 Waverly Way, Apt.  
201, Clearwater, FL (US) 33756

(\*\*) **Term:** **14 Years**

(21) **Appl. No.:** **29/323,258**

(22) **Filed:** **Aug. 21, 2008**

(51) **LOC (9) Cl.** ..... **06-08**

(52) **U.S. Cl.** ..... **D6/323**

(58) **Field of Classification Search** ..... D6/315,  
D6/320, 323, 325, 328; D8/300-301, 307,  
D8/310, 321, 349, 354, 367, 372; 211/13.1,  
211/85.3, 86.01, 183; 248/85-98; 223/200,  
223/317, 560

See application file for complete search history.

(56) **References Cited**

**U.S. PATENT DOCUMENTS**

D361,671 S *	8/1995	Sharpe	.....	D6/323
D388,619 S *	1/1998	Klein et al.	.....	D6/323
D389,326 S *	1/1998	Moore	.....	D6/323
D390,709 S *	2/1998	Moore	.....	D6/323

D398,451 S *	9/1998	Sharpe	.....	D6/323
D435,972 S *	1/2001	Moore	.....	D6/323
D436,454 S *	1/2001	Moore	.....	D6/323
D442,073 S *	5/2001	Lyndon	.....	D8/367
D454,049 S *	3/2002	LaPlume et al.	.....	D8/301
D459,200 S *	6/2002	Zhao	.....	D8/367
D543,710 S *	6/2007	Krumpe et al.	.....	D6/323

\* cited by examiner

*Primary Examiner*—Shanda C Hill

(74) *Attorney, Agent, or Firm*—Gifford, Krass, Sprinkle,  
Anderson & Citkowski, P.C.

(57) **CLAIM**

The ornamental design for a knob, as shown and described.

**DESCRIPTION**

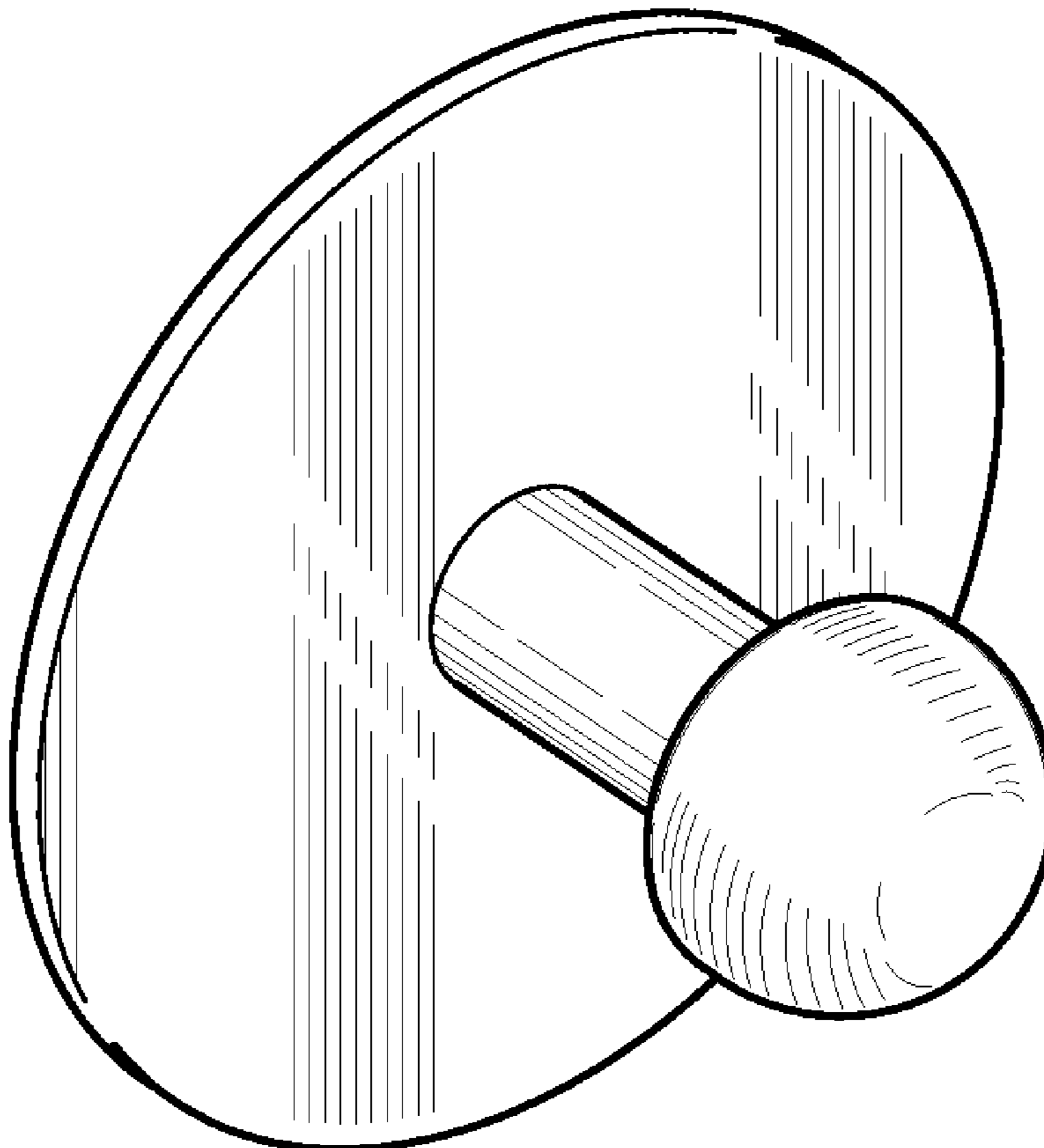
FIG. 1 is a front perspective of a knob, showing my new design;

FIG. 2 is a front elevational view thereof;

FIG. 3 is a right side elevational view thereof; and,

FIG. 4 is a top plan view thereof.

**1 Claim, 1 Drawing Sheet**



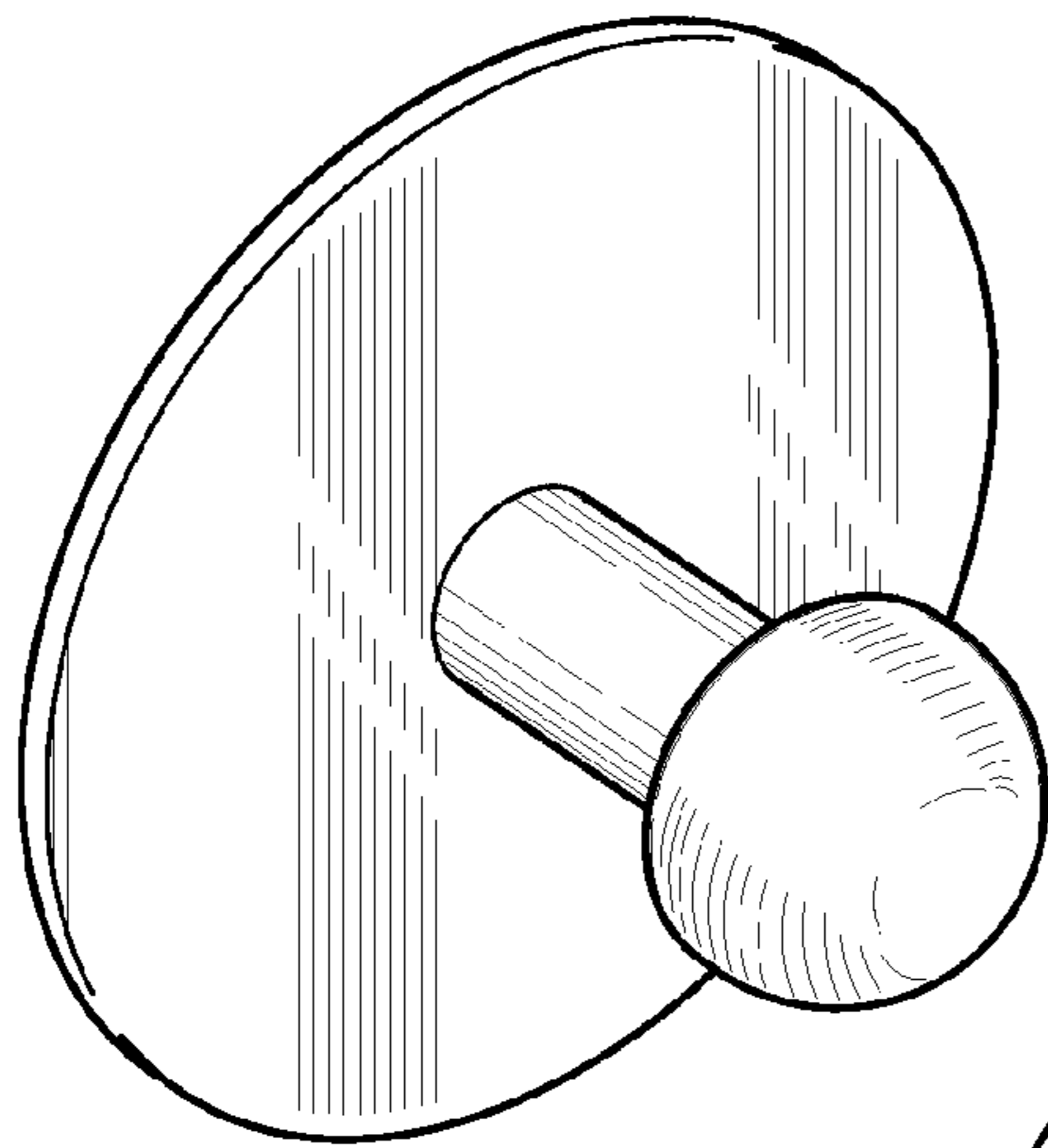


Fig-1

Fig-2

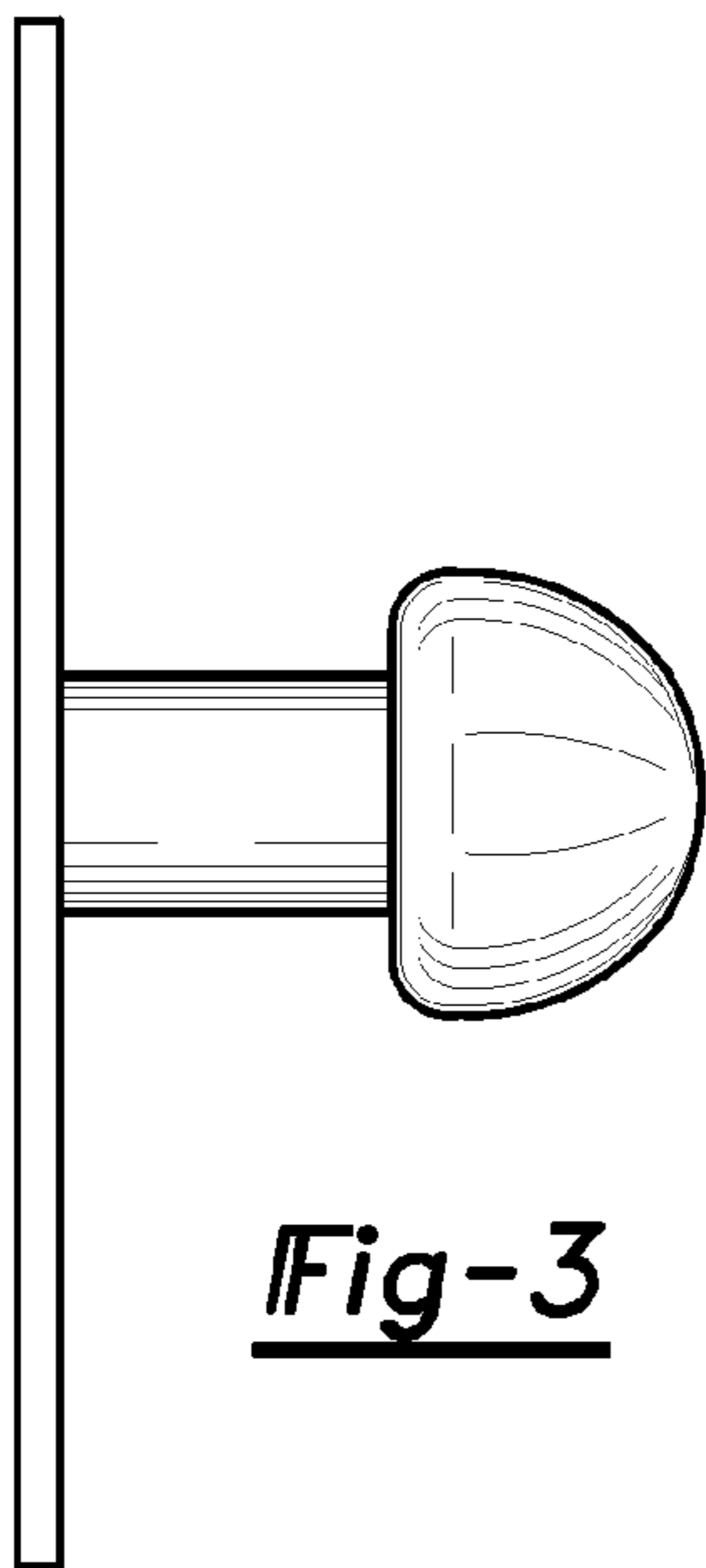
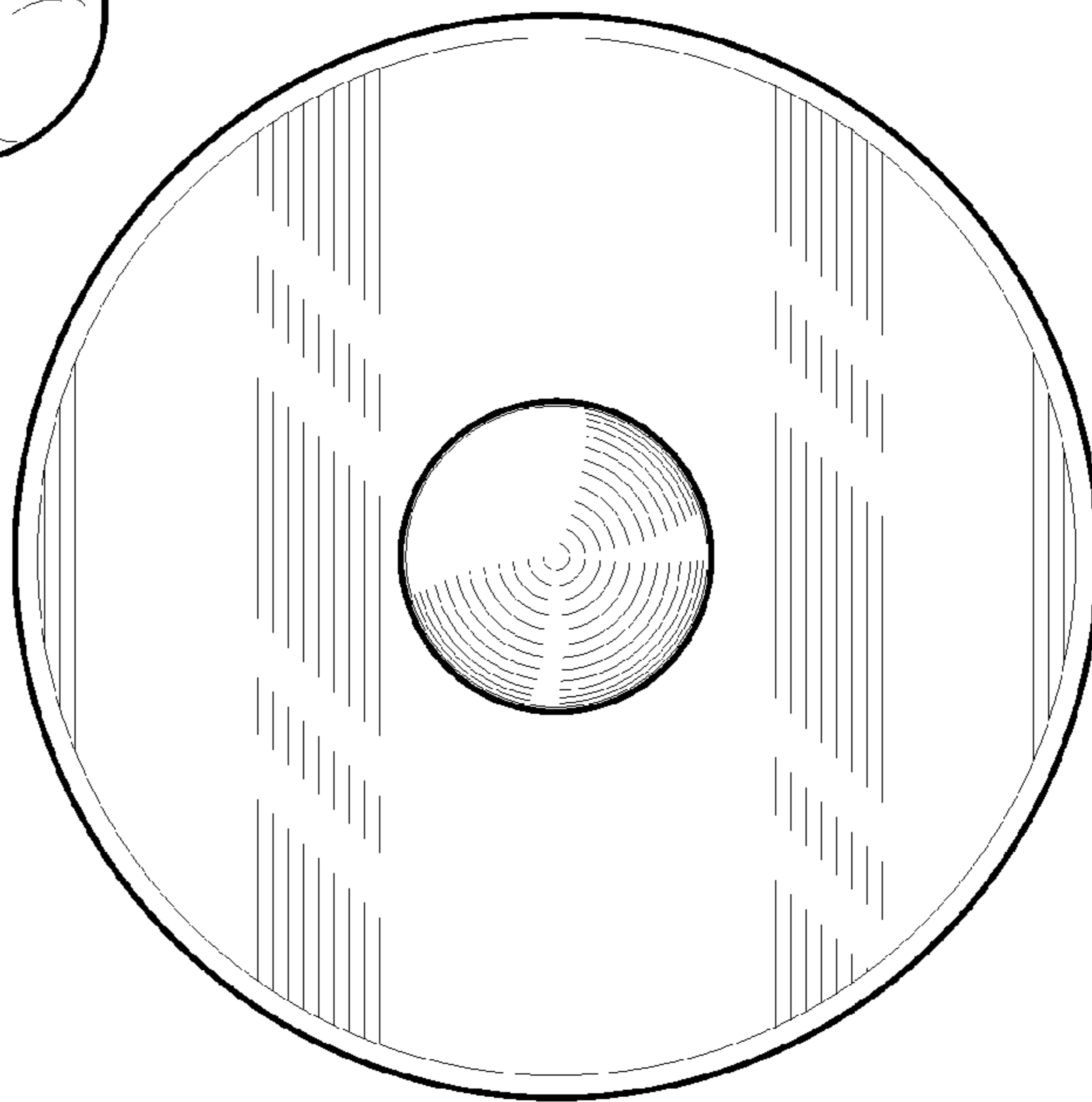


Fig-3

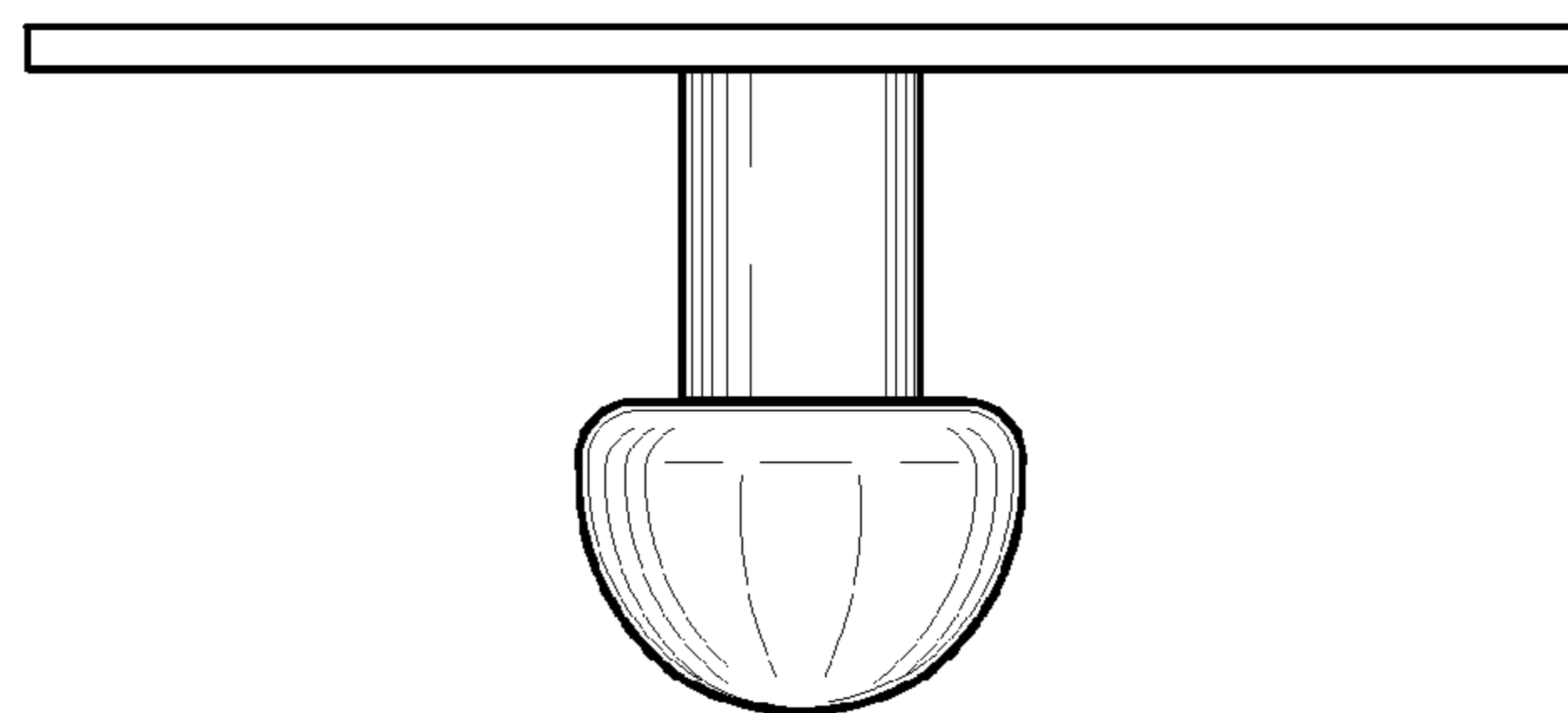


Fig-4