



US00D623859S

(12) **United States Design Patent**
Tseng et al.

(10) **Patent No.:** **US D623,859 S**

(45) **Date of Patent:** **** Sep. 21, 2010**

(54) **STORAGE CASE INSERT**

7,480,388 B1 1/2009 Crook

(Continued)

(75) Inventors: **Keng-Wen Tseng**, Taipei (TW); **Yi-Chin Lin**, Taipei (TW); **Stuart Cochrane**, Palm Springs, CA (US)

OTHER PUBLICATIONS

<http://www.in earmatters.net>, a Past Review: Multiple IEM Shoot out, Nov. 30, 2008.

(73) Assignee: **Savannah Marketing Group Inc.**, Palm Springs, CA (US)

(Continued)

(**) Term: **14 Years**

Primary Examiner—Holly H Baynham

(74) *Attorney, Agent, or Firm*—Shelon Mak & Anderson

(21) Appl. No.: **29/346,144**

(57) **CLAIM**

(22) Filed: **Oct. 27, 2009**

The ornamental design for a storage case insert, as shown and described.

(51) **LOC (9) Cl.** **03-01**

(52) **U.S. Cl.** **D3/318**

(58) **Field of Classification Search** D3/318,
D3/324, 273, 284; 206/531, 581, 534
See application file for complete search history.

DESCRIPTION

This application is related to a Design patent application Ser. No. 29/346,143 entitled “Storage Case”, a Design patent application Ser. No. 29/346,142 entitled “Ear Bud”, and a Utility patent application Ser. No. 12/606,879 entitled “Aural Device with White Noise Generator”, all filed on even date herewith.

(56) **References Cited**

U.S. PATENT DOCUMENTS

4,777,937	A	10/1988	Rush	
4,821,247	A	4/1989	Grooms	
4,826,014	A *	5/1989	Schefer	206/581
5,167,236	A	12/1992	Junker	
5,313,678	A	5/1994	Redewill	
5,373,862	A *	12/1994	Blachut	132/294
5,606,621	A	2/1997	Reiter et al.	
5,881,390	A	3/1999	Young	
6,014,345	A	1/2000	Schmadeka	
6,267,721	B1	7/2001	Welles	
6,669,022	B2 *	12/2003	Donegan	206/531
6,906,983	B2	6/2005	Williams	
7,039,208	B2	5/2006	Wagner et al.	
7,054,957	B2	5/2006	Armitage	
7,062,057	B2	6/2006	Wu	
7,206,429	B1	4/2007	Vossler	
7,248,705	B1	7/2007	Mishan	
7,262,992	B2	8/2007	Shibata et al.	

FIG. 1 is a perspective view of a storage case insert according to the present invention;

FIG. 2 is a top plan view of the storage case insert of FIG. 1;

FIG. 3 is a bottom plan view of storage case insert of FIG. 1;

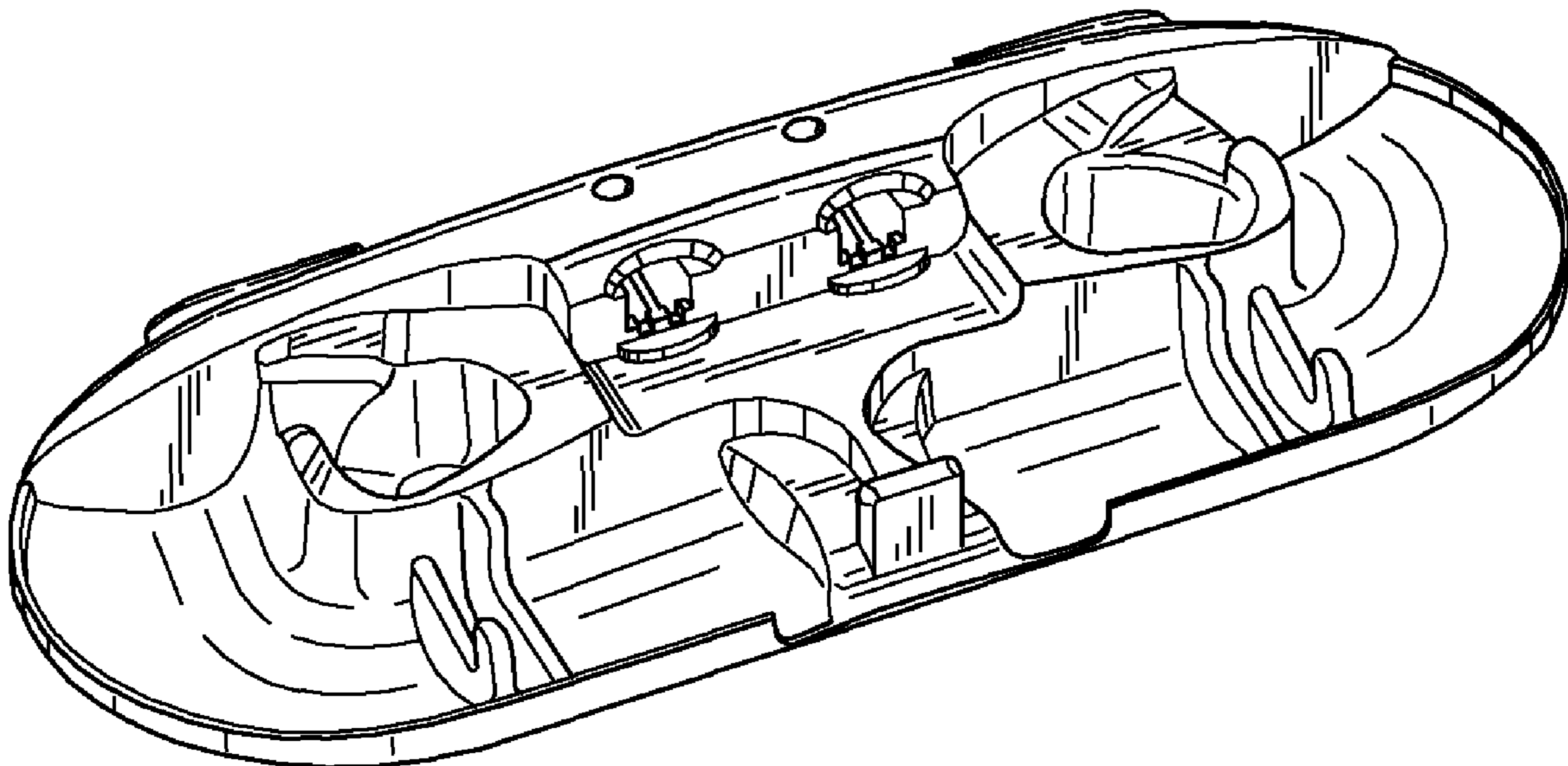
FIG. 4 is a side elevation view of the storage case insert of FIG. 1 taken from the right side of FIG. 2;

FIG. 5 is a side elevation view of the storage case insert of FIG. 1 taken from the left side of FIG. 2;

FIG. 6 is a front elevation view of the storage case insert of FIG. 1; and,

FIG. 7 is a rear elevation view of the storage case insert of FIG. 1.

1 Claim, 2 Drawing Sheets



US D623,859 S

Page 2

U.S. PATENT DOCUMENTS

2003/0235313 A1 12/2003 Kurzweil
2004/0136555 A1 7/2004 Enzmann
2006/0020161 A1 1/2006 Mageras et al.
2007/0110253 A1 5/2007 Anderson et al.
2007/0269065 A1 11/2007 Kilsgaard

OTHER PUBLICATIONS

http://www.wmexperts.com/reviews/bluetooth_headsets/review_motorola_motorokr_s9_st_1.html, Review: Motorola Motorokr S9 Stereo Bluetooth Headset, Mar. 6, 2008.

* cited by examiner

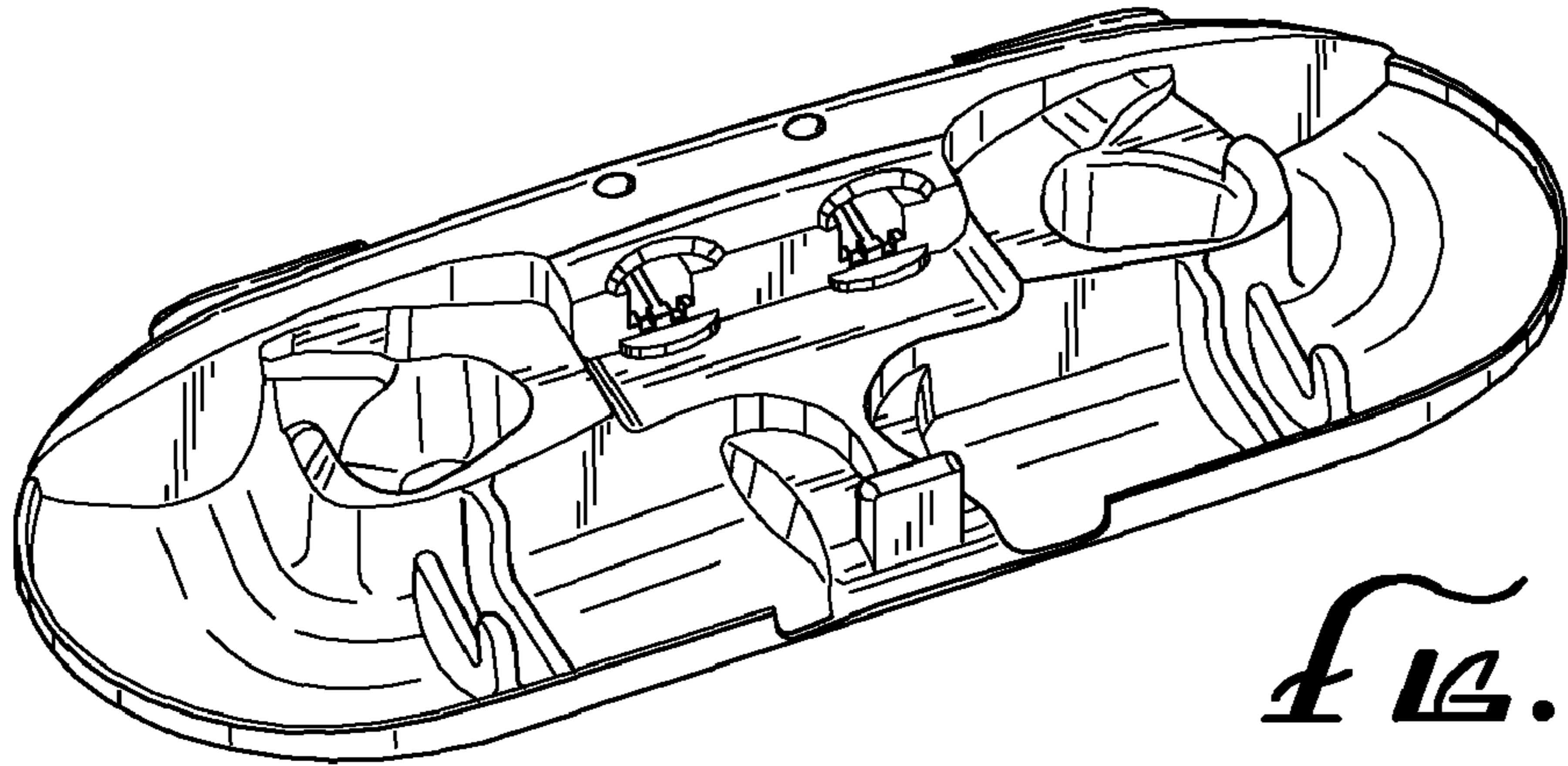


FIG. 1

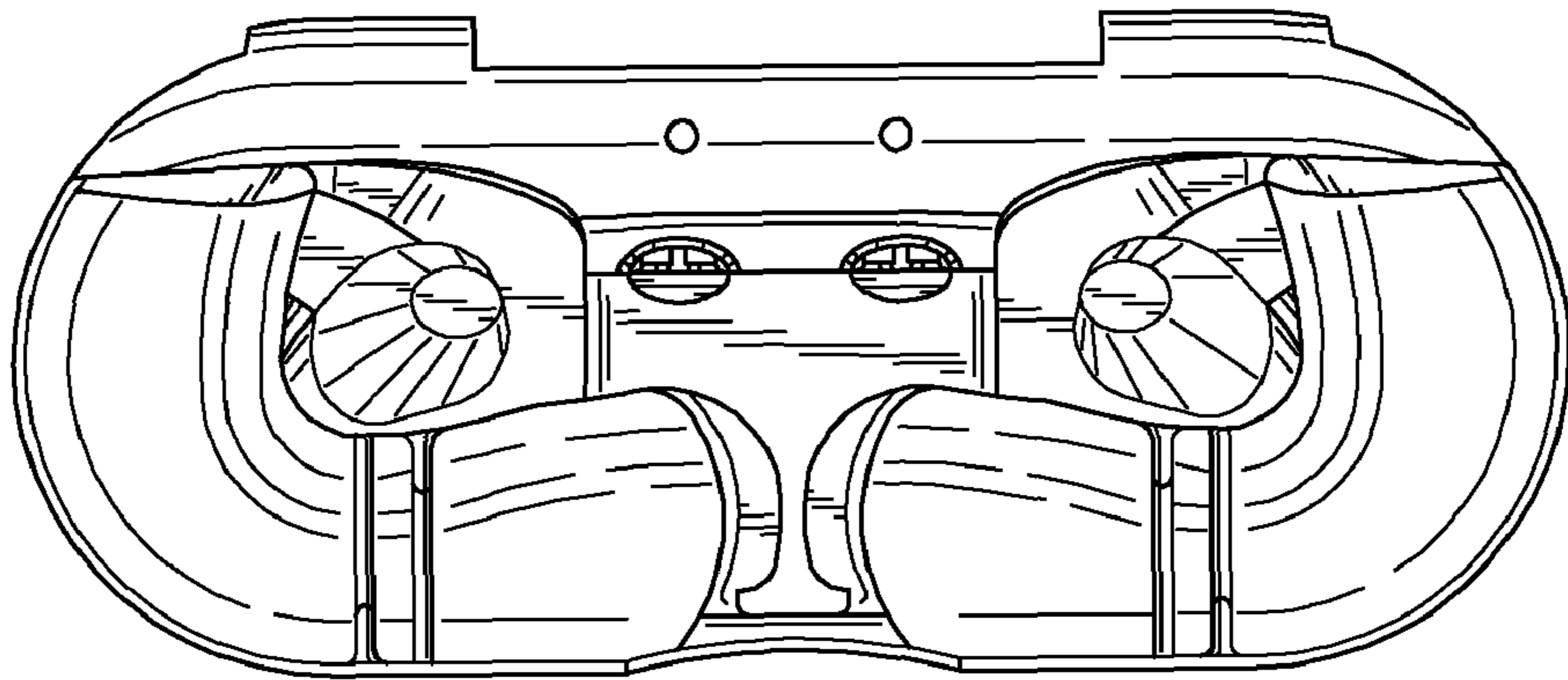


FIG. 2

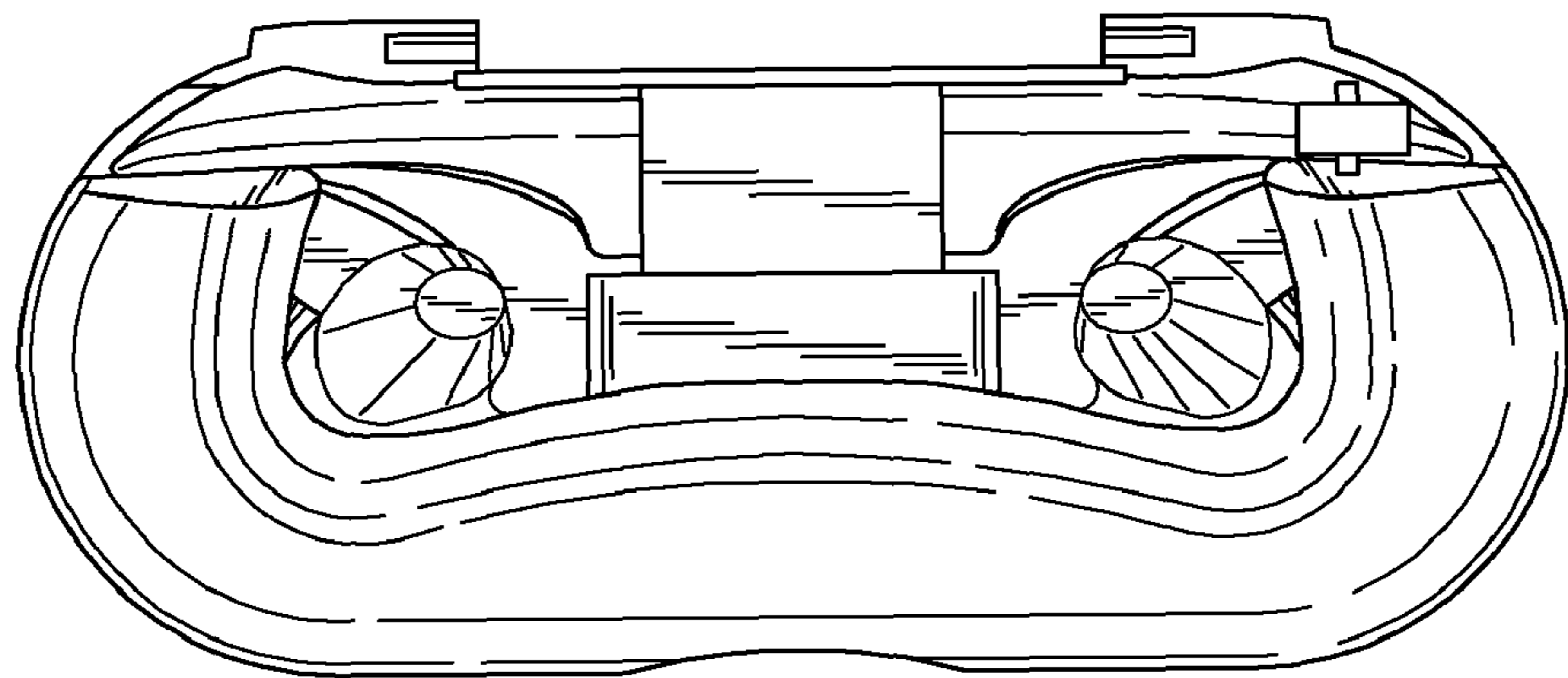


FIG. 3

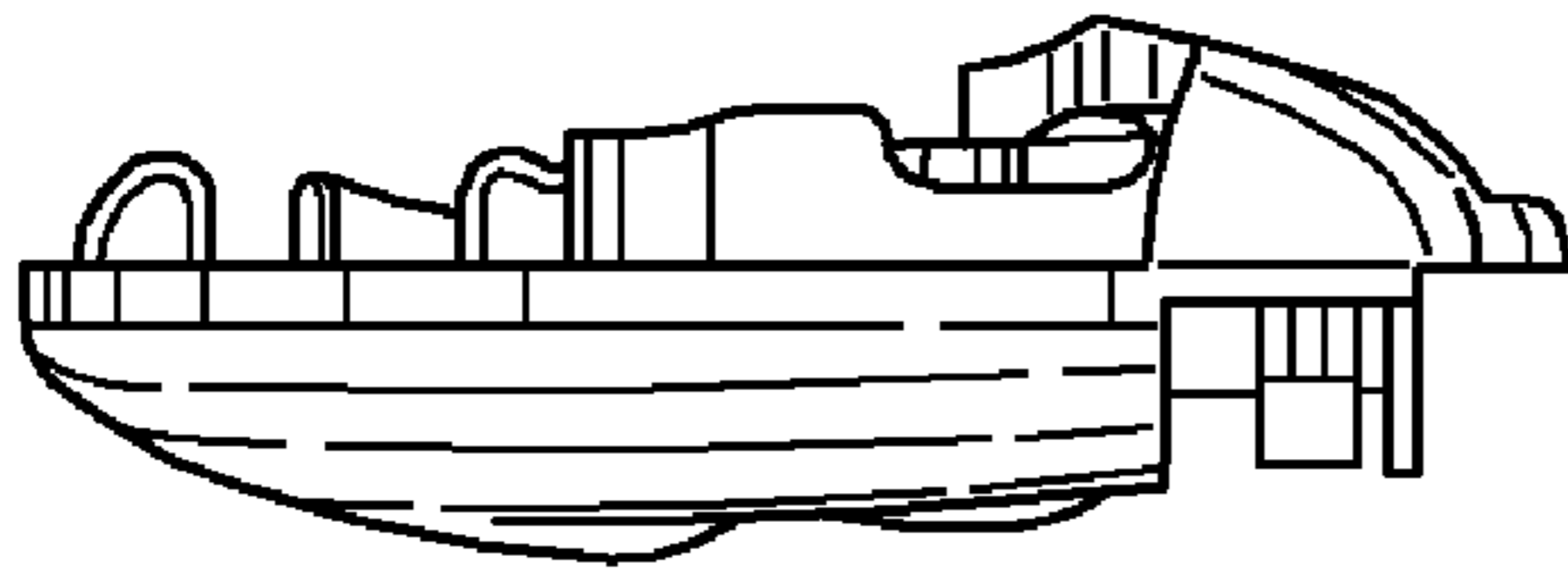


FIG. 4

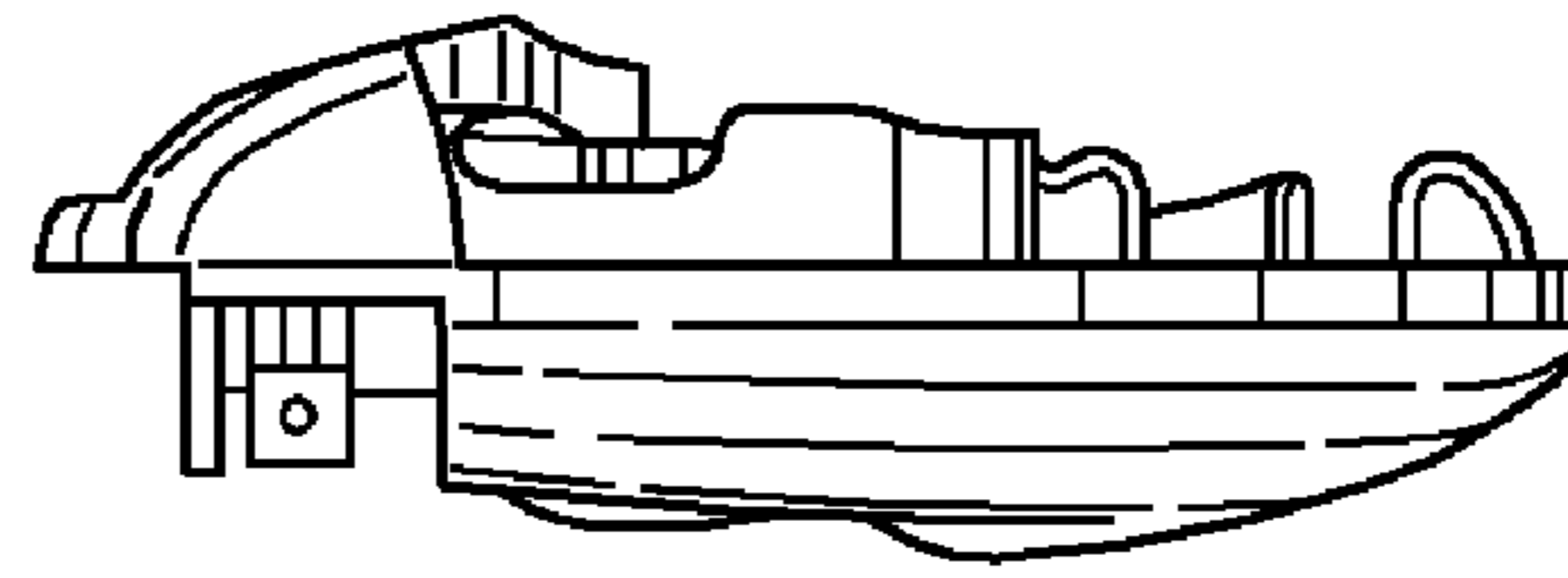


FIG. 5

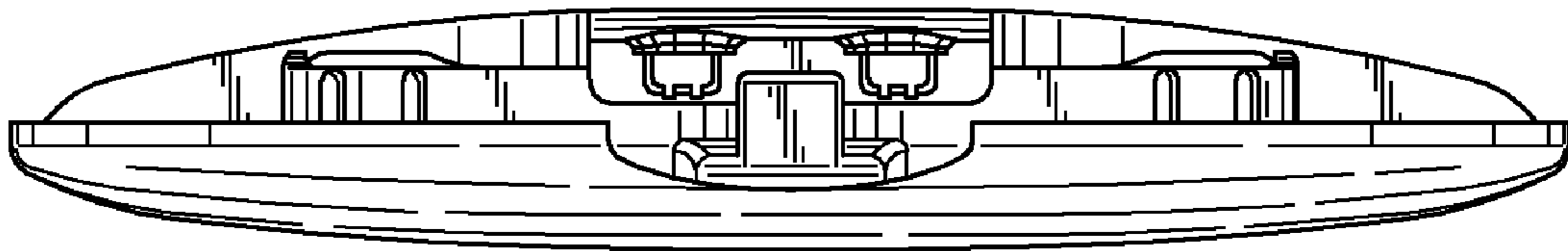


FIG. 6

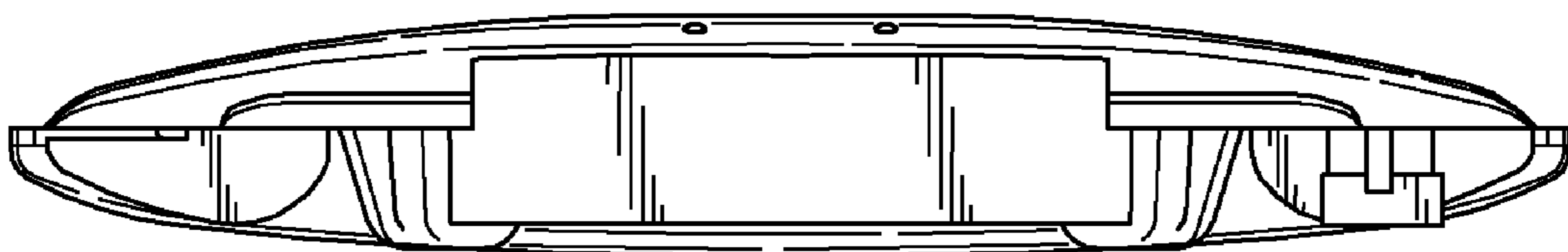


FIG. 7