



US00D623857S

(12) **United States Design Patent**
Austin

(10) **Patent No.:** **US D623,857 S**
(45) **Date of Patent:** **** Sep. 21, 2010**

(54) **COMPUTER CARRYING CASE**
(75) Inventor: **Brian C. Austin**, Oakland Township, MI (US)
(73) Assignee: **PC Treasures, Inc.**, Oxford, MI (US)
(**) Term: **14 Years**

7,522,410 B2 4/2009 Pichahchi
D598,671 S * 8/2009 Gagnon, Jr. D6/430
7,588,146 B1 * 9/2009 Salander et al. 206/320
D604,045 S * 11/2009 Schantz et al. D3/299
D605,854 S * 12/2009 Gracer et al. D3/289
2006/0232935 A1 * 10/2006 Xiong 361/700
2009/0078707 A1 * 3/2009 Chen 220/592.01
2009/0223765 A1 * 9/2009 Bosma 190/108

* cited by examiner

(21) Appl. No.: **29/345,737**
(22) Filed: **Oct. 21, 2009**

Primary Examiner—Prabhakar Deshmukh
(74) *Attorney, Agent, or Firm*—Howard & Howard Attorneys PLLC

(51) **LOC (9) Cl.** **03-01**
(52) **U.S. Cl.** **D3/289; D3/291**
(58) **Field of Classification Search** D3/203.1,
D3/203.6, 233, 273, 274, 276, 283–287, 289,
D3/297, 900; 150/113; 190/100, 102, 109–111,
190/115, 900, 903; 206/320
See application file for complete search history.

(57) **CLAIM**

I claim the ornamental design for a computer carrying case, as shown and described.

(56) **References Cited**

DESCRIPTION

U.S. PATENT DOCUMENTS

4,872,538 A 10/1989 Fournier
D346,901 S 5/1994 Dulka et al.
D379,267 S 5/1997 Roegner
D390,004 S 2/1998 Tawil
D399,056 S 10/1998 Tawil
D412,616 S 8/1999 Livingston
D434,901 S 12/2000 Eskandry
D458,749 S 6/2002 Bruni et al.
D485,065 S 1/2004 Pelleg
D492,843 S * 7/2004 Domotor D3/284
D500,597 S 1/2005 Hillman
D506,609 S 6/2005 Hillman
D524,049 S * 7/2006 Hughes D3/289
D548,462 S 8/2007 Aliberti et al.
7,324,340 B2 * 1/2008 Xiong 361/700
D568,047 S 5/2008 Brancky
D574,615 S 8/2008 Picot et al.
7,448,495 B2 * 11/2008 Sadow 206/522

FIG. 1 is a front perspective view of the computer carrying case;
FIG. 2 is a front view of the computer carrying case;
FIG. 3 is a rear view of the computer carrying case;
FIG. 4 is a left end view of the computer carrying case;
FIG. 5 is a right end view of the computer carrying case;
FIG. 6 is a top view of the computer carrying case; and,
FIG. 7 is a bottom view of the computer carrying case.

The textural treatment shown in FIGS. 1-7, which is understood not to include the portions of the figures showing the zipper teeth, is intended to extend over the entire exterior of the case. The texture shown is not intended to represent any one particular texture. The broken lines describing a pair of handles coupled together, as shown in FIGS. 1-6, are for illustrative purposes only and form no part of the claimed design.

1 Claim, 5 Drawing Sheets

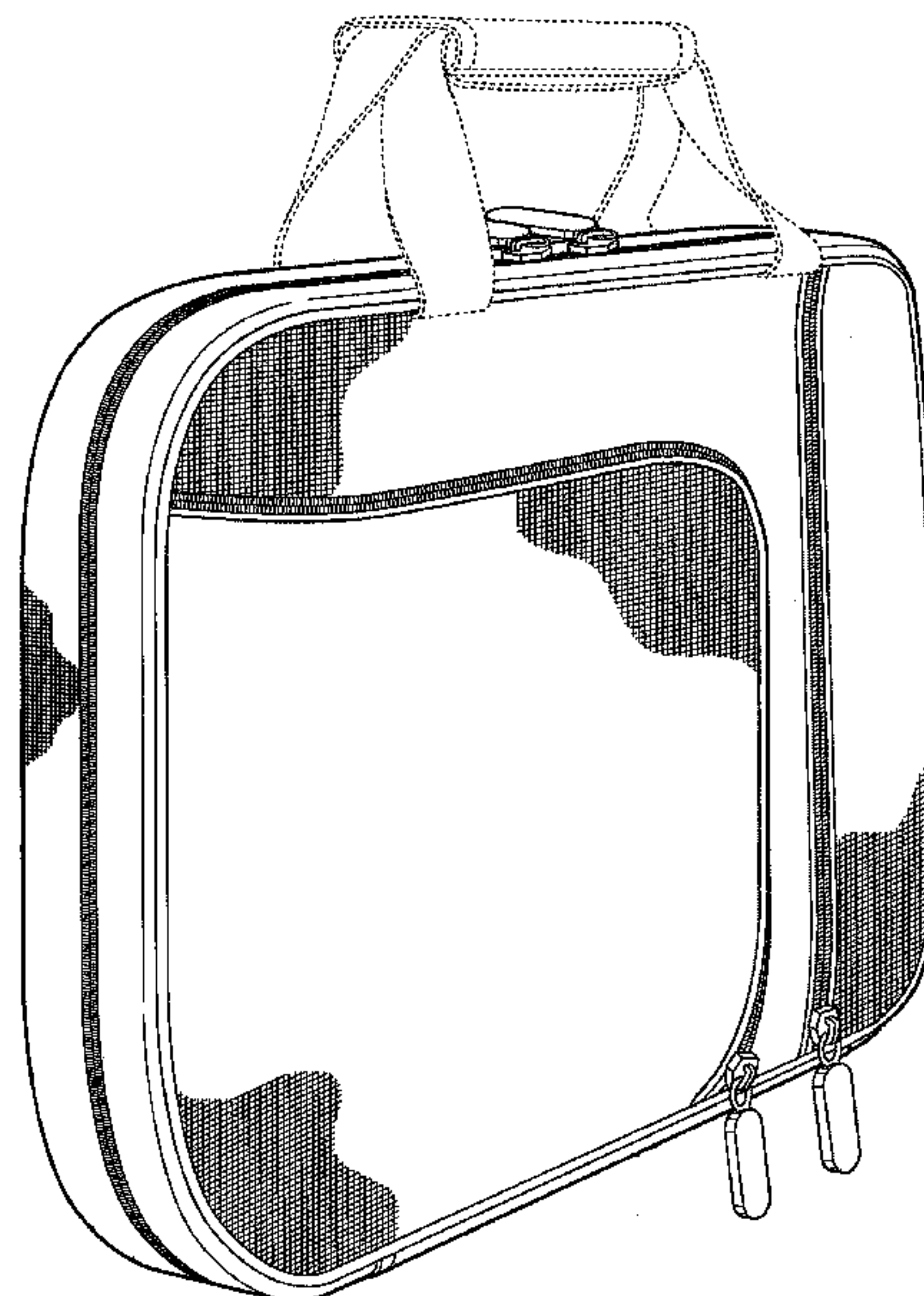


FIG. 1

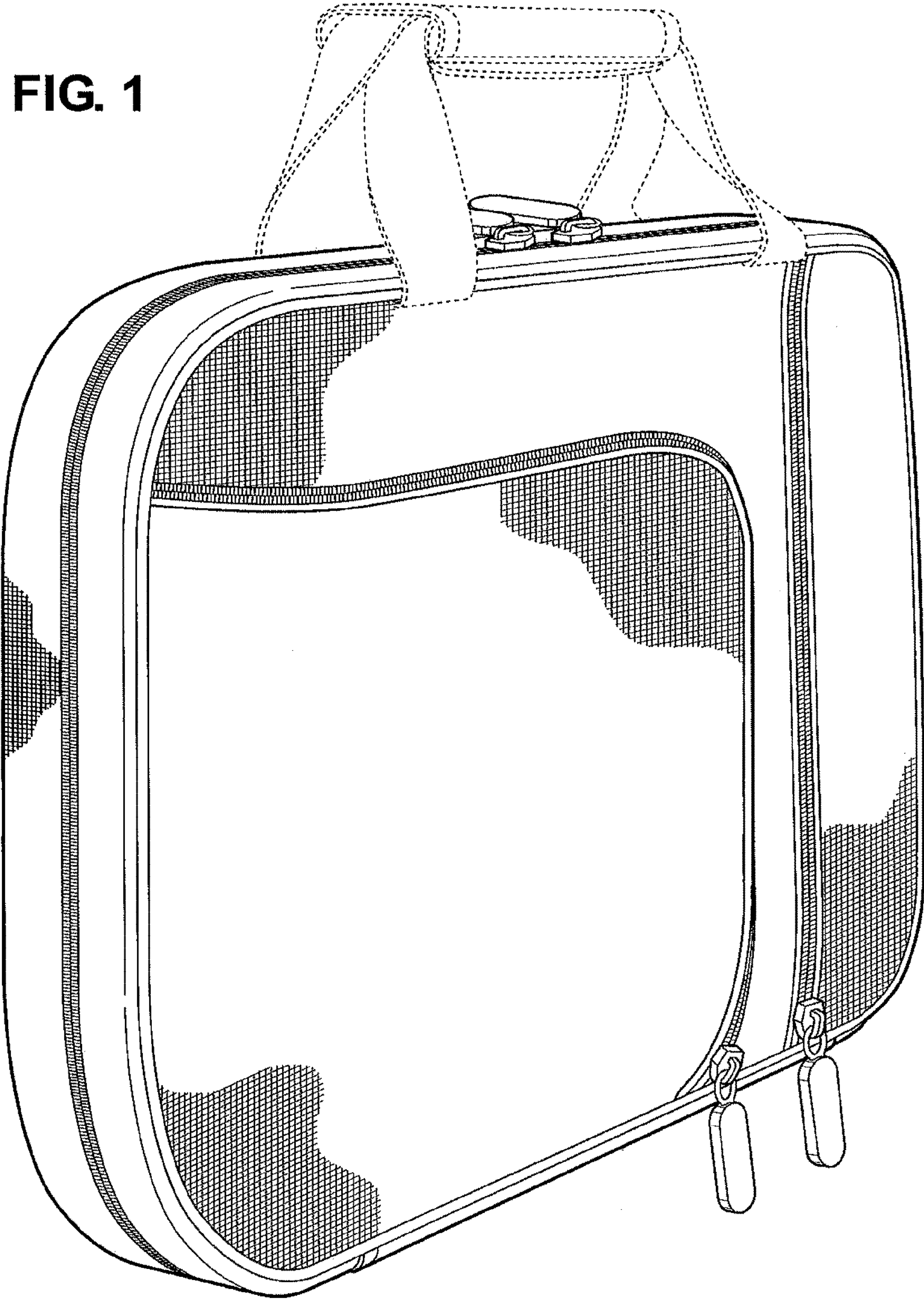


FIG. 2

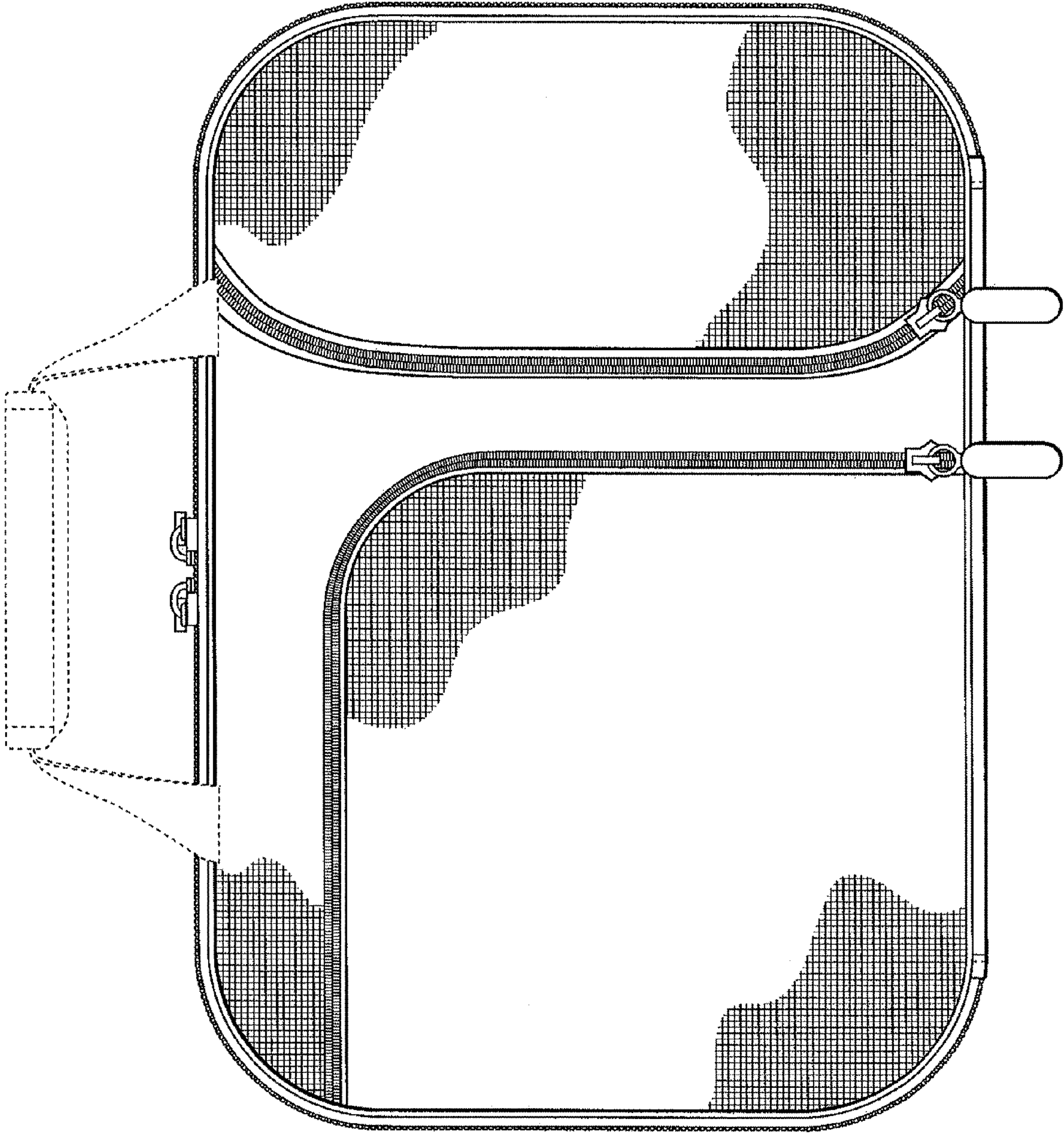
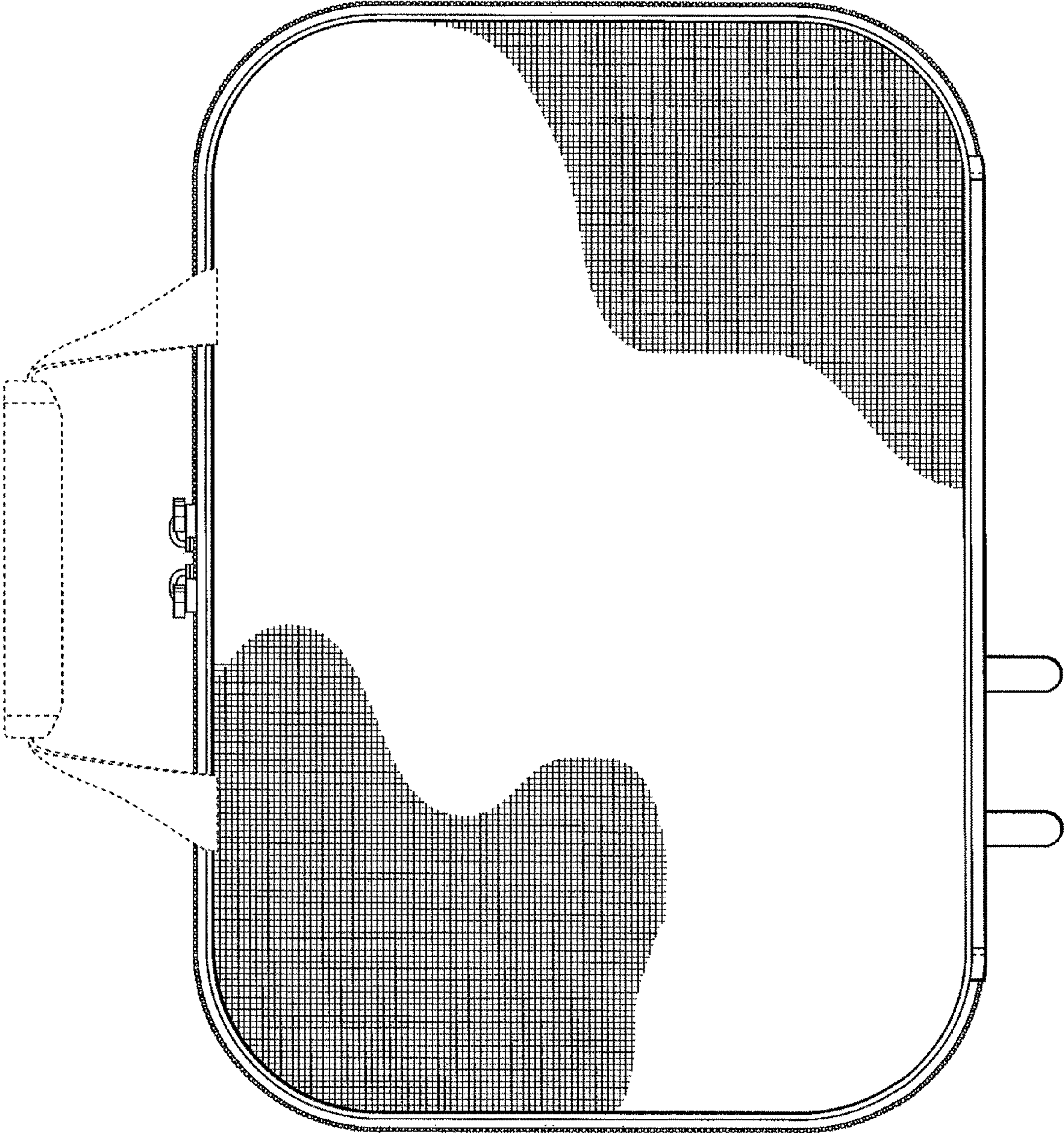


FIG. 3



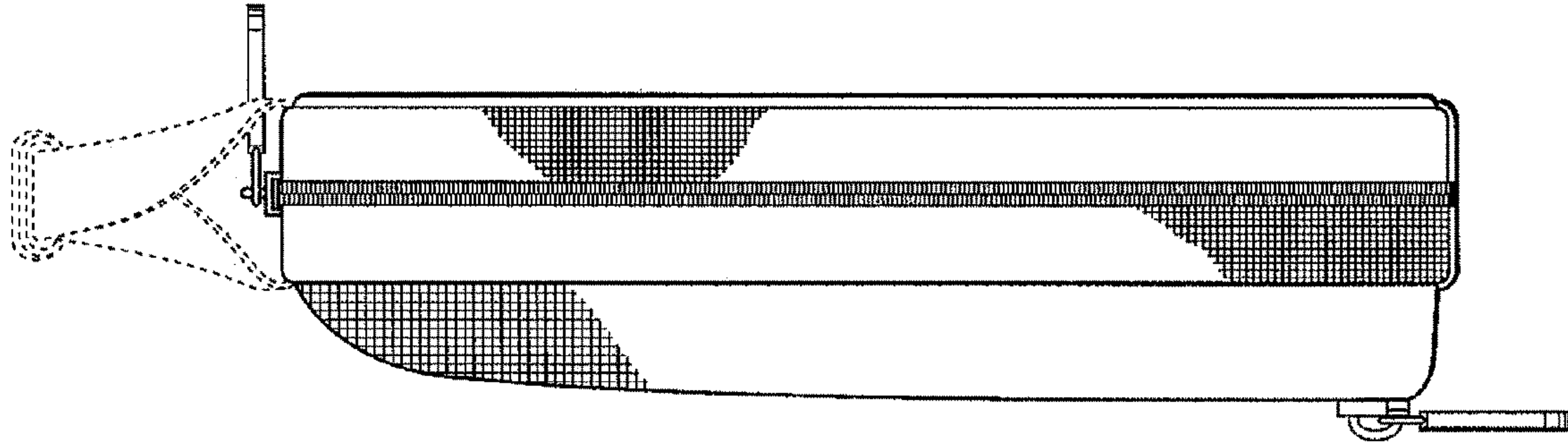


FIG. 5

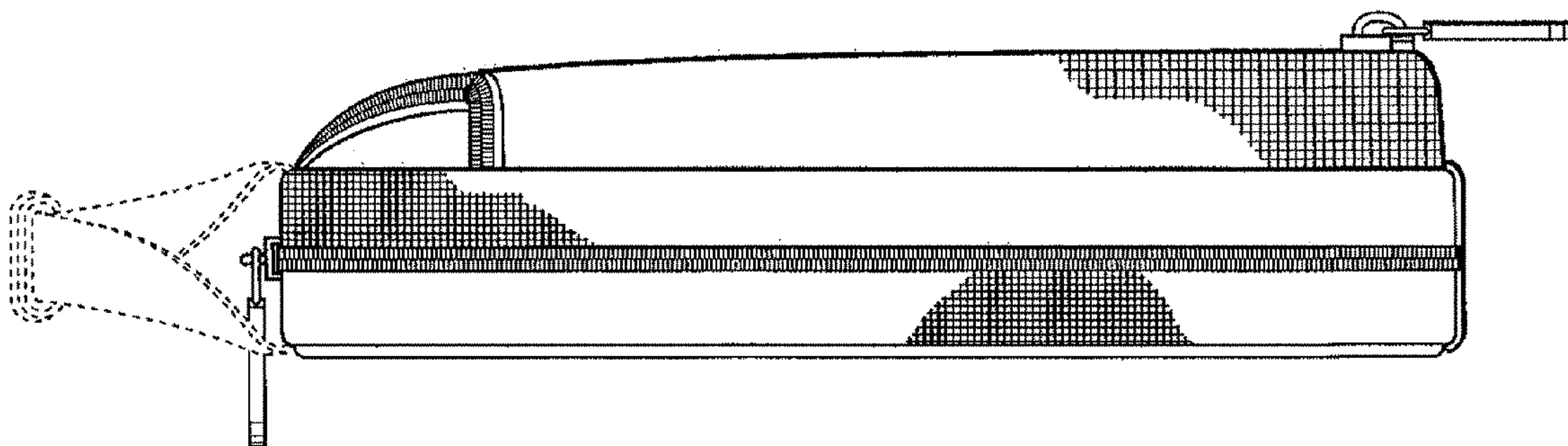


FIG. 4

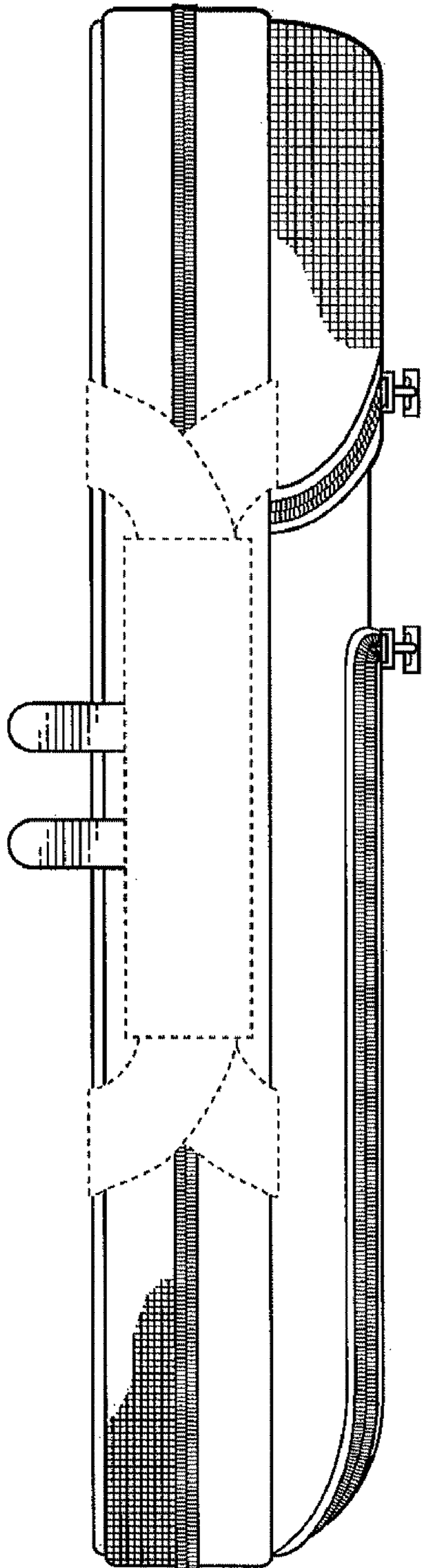


FIG. 6

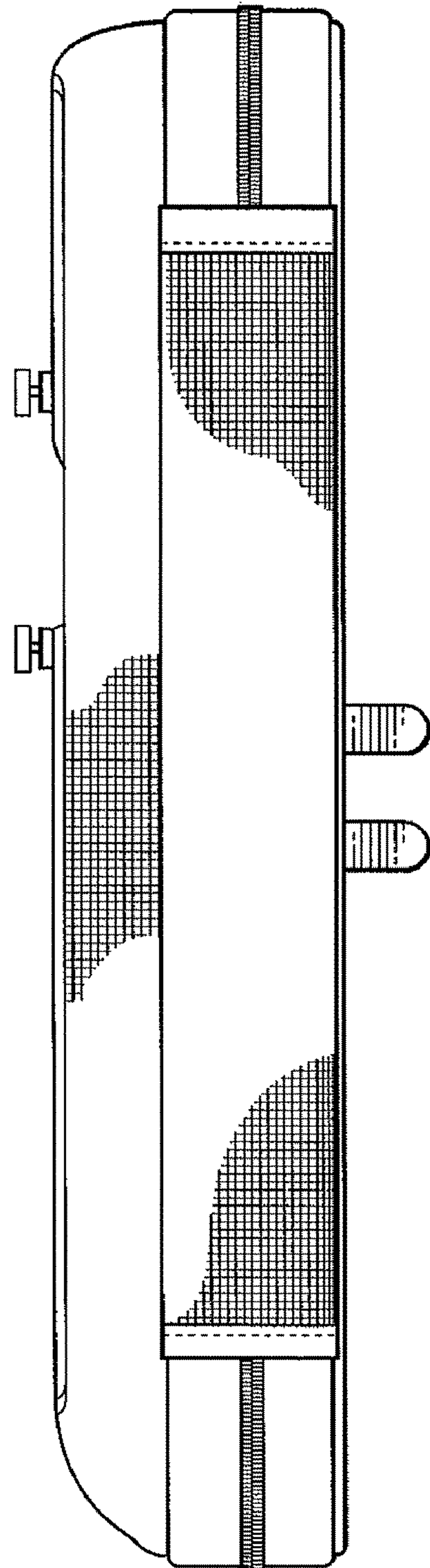


FIG. 7