



US00D623856S

(12) **United States Design Patent**
Pezzini

(10) **Patent No.:** **US D623,856 S**

(45) **Date of Patent:** **** Sep. 21, 2010**

(54) **CASE**

(75) Inventor: **Gabriele Pezzini**, Quarry Bay (HK)

(73) Assignee: **Hermes Sellier (Societe Par Actions Simpliffee)**, Paris (FR)

(**) Term: **14 Years**

(21) Appl. No.: **29/354,368**

(22) Filed: **Jan. 22, 2010**

(30) **Foreign Application Priority Data**

Jul. 23, 2009 (WO) DM/072 088

(51) **LOC (9) Cl.** **03-01**

(52) **U.S. Cl.** **D3/279**

(58) **Field of Classification Search** D3/201,
D3/215, 212, 273, 274, 276, 289, 902, 221,
D3/225, 904, 279; 224/236, 240, 235, 656,
224/657, 658, 269, 270, 267, 272, 901, 904,
224/908, 153-156, 921; 190/18 A, 18 B,
190/103, 106-109, 124, 126, 127; 206/315.1,
206/315.11

See application file for complete search history.

(56) **References Cited**

U.S. PATENT DOCUMENTS

D154,247 S * 6/1949 Doffelt D3/289

D238,621 S * 1/1976 Workman D3/289
4,984,662 A * 1/1991 Jacober 190/107
D354,166 S * 1/1995 Lin D3/276
D354,396 S * 1/1995 Lowenstein D3/276
D375,835 S * 11/1996 Christopher et al. D3/289
5,671,831 A * 9/1997 Chiu 190/103
6,062,356 A * 5/2000 Nykoluk 190/18 R

* cited by examiner

Primary Examiner—Prabhakar Deshmukh

(74) *Attorney, Agent, or Firm*—Foley and Lardner LLP

(57) **CLAIM**

The ornamental design for a case, as shown and described.

DESCRIPTION

FIG. 1 is a bottom frontal perspective view of a case according to my new design;

FIG. 2 is a front view of the case shown in FIG. 1;

FIG. 3 is a rear view of the case shown in FIG. 1;

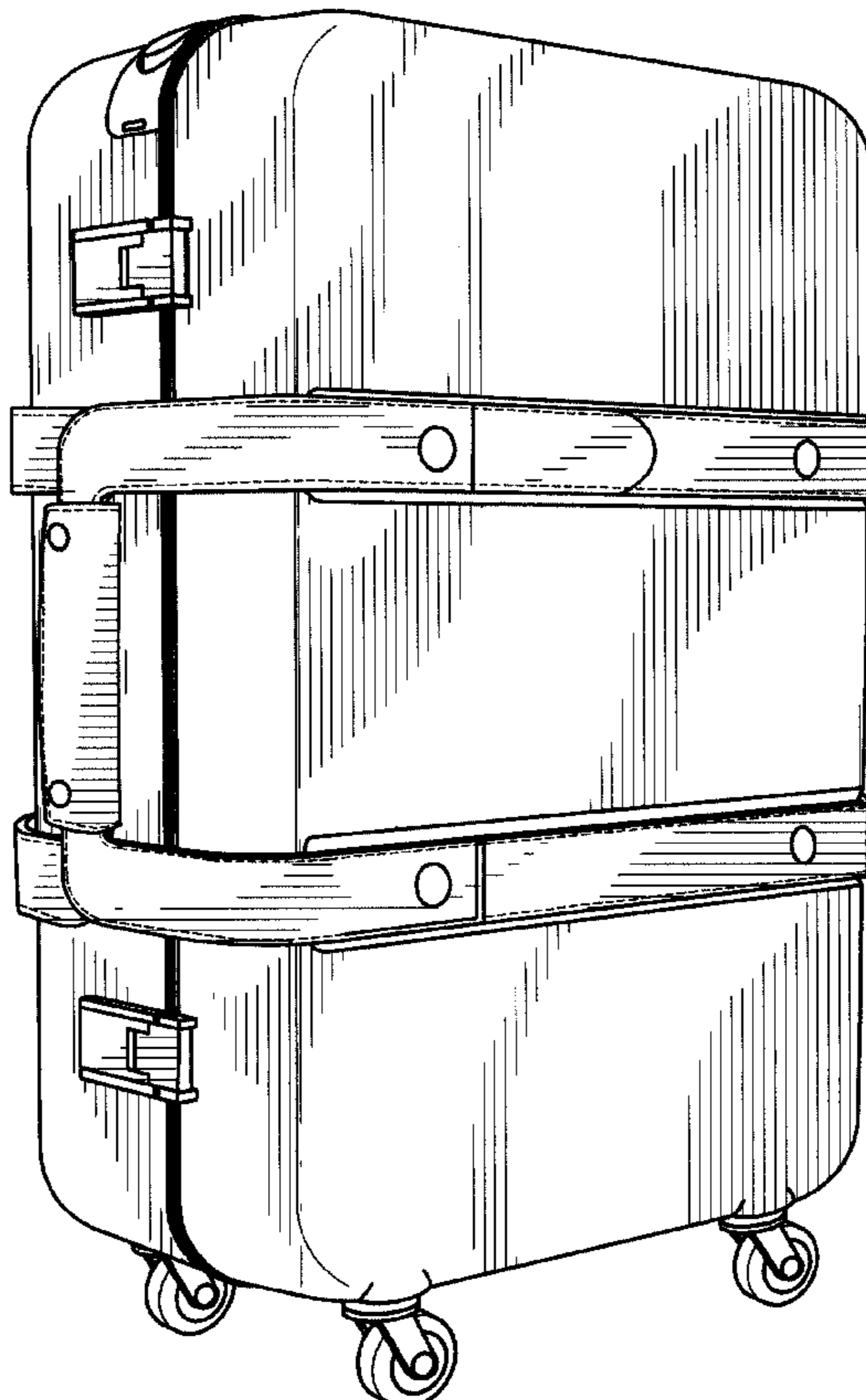
FIG. 4 is a left side view of the case shown in FIG. 1;

FIG. 5 is a right side view of the case shown in FIG. 1;

FIG. 6 is a top view of the case shown in FIG. 1; and,

FIG. 7 is a bottom view of the case shown in FIG. 1.

1 Claim, 7 Drawing Sheets



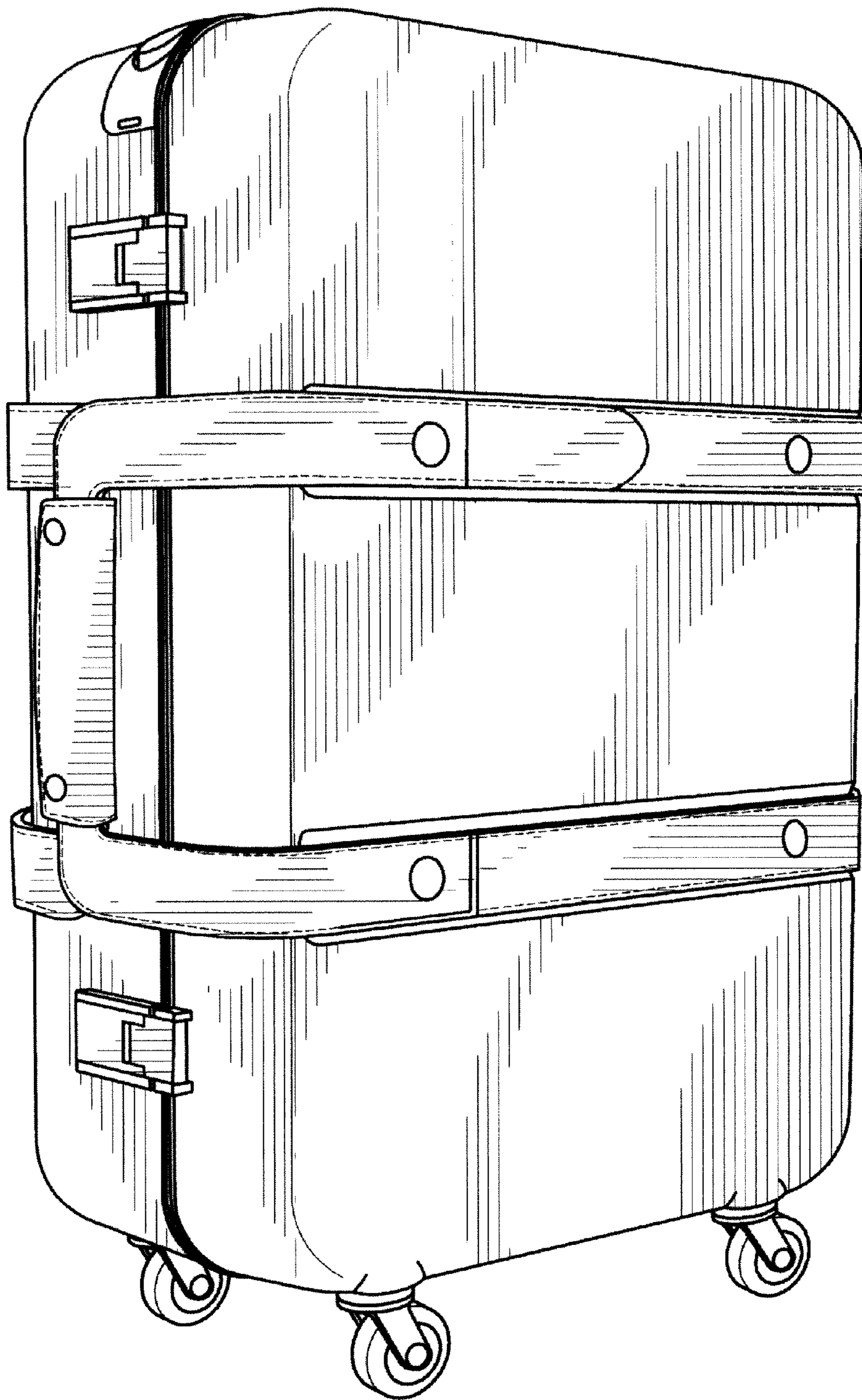


FIG. 1

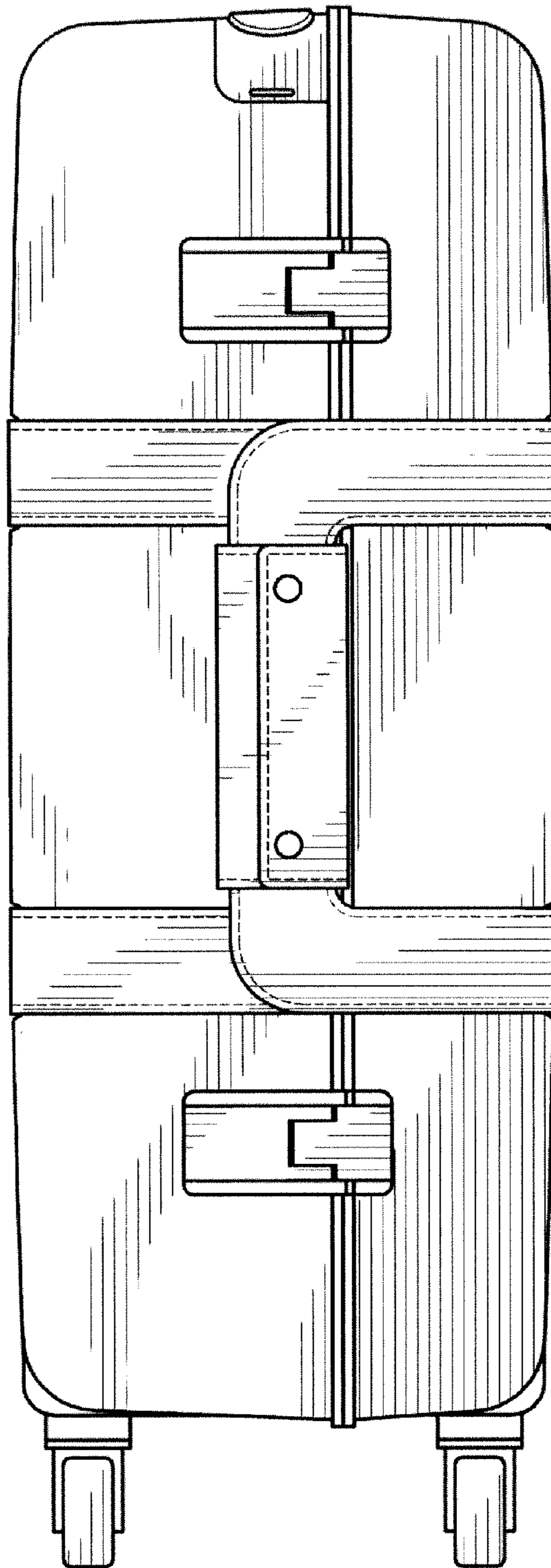


FIG.2

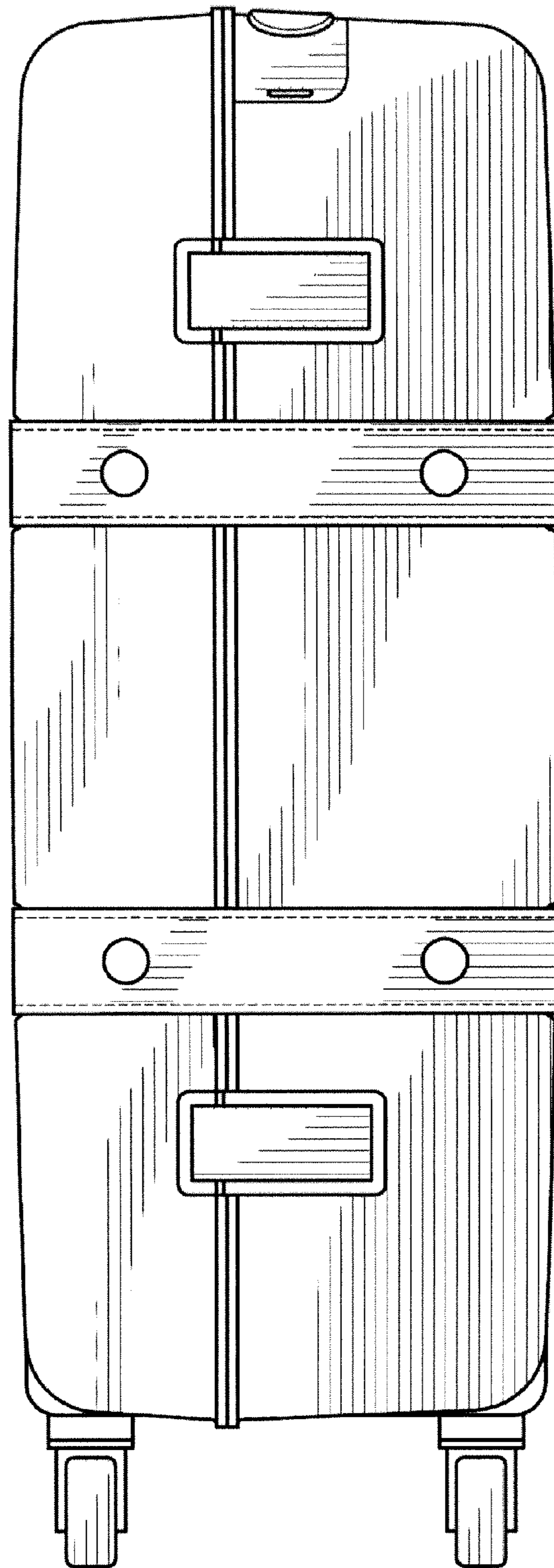


FIG.3

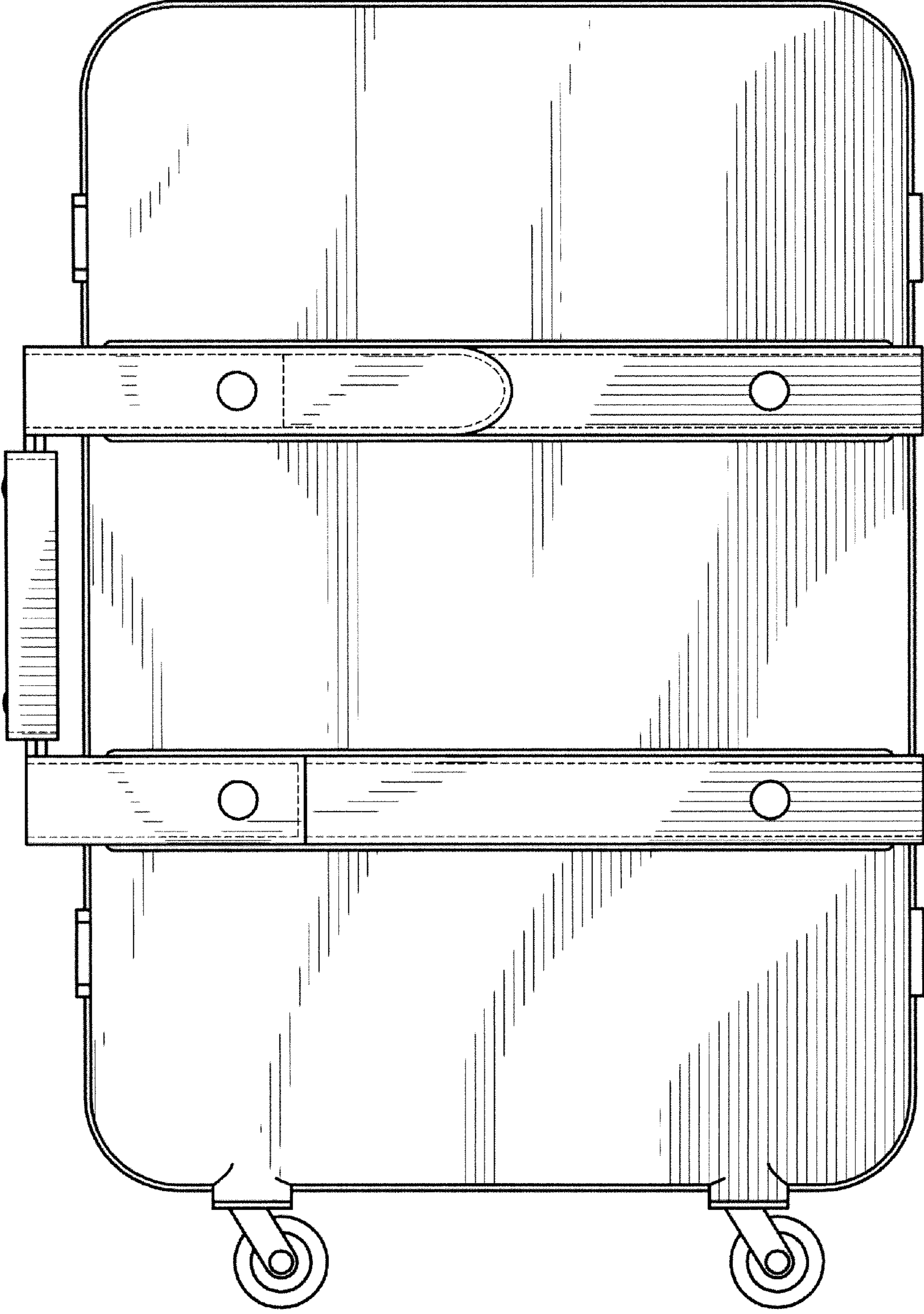


FIG.4

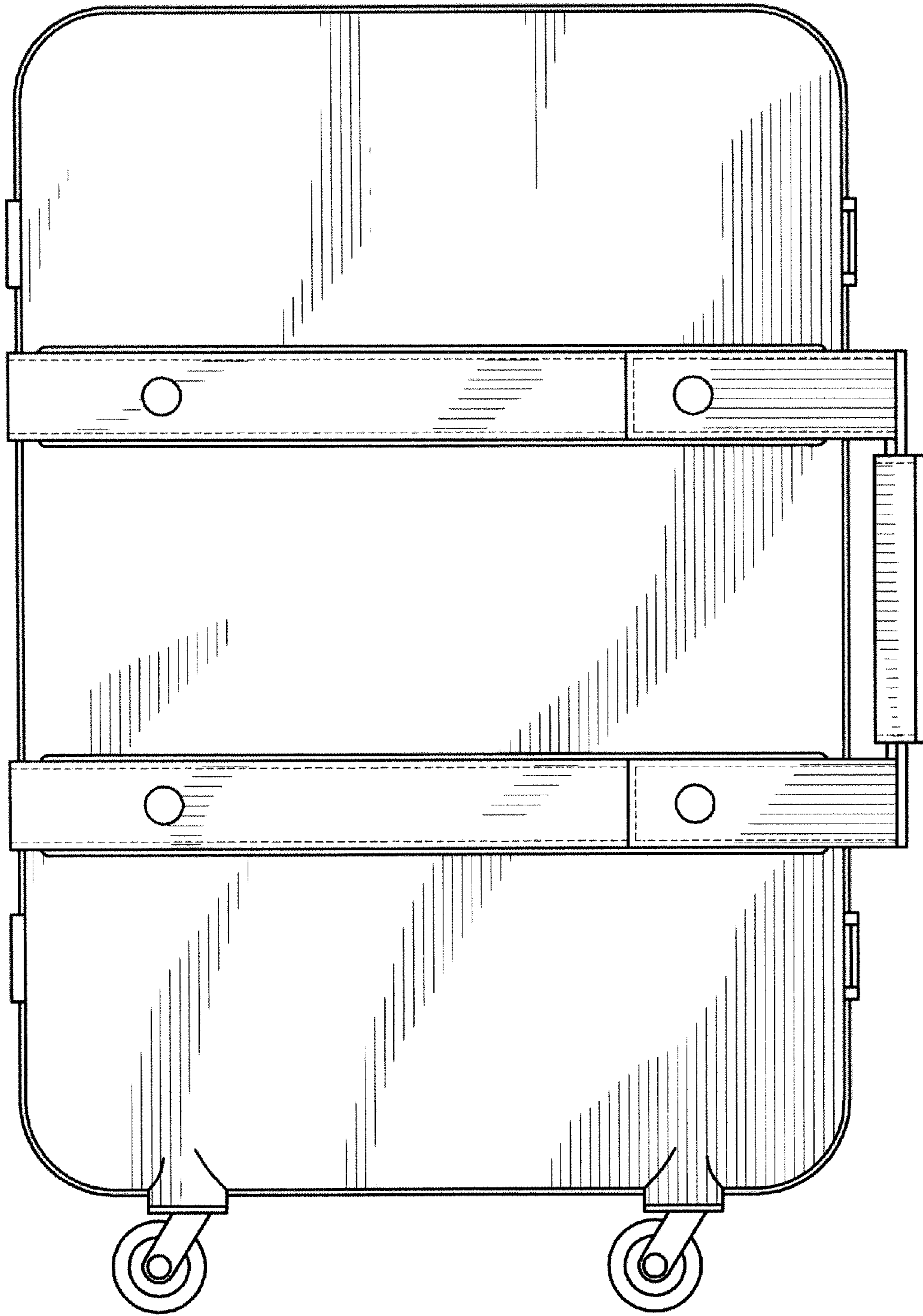


FIG.5

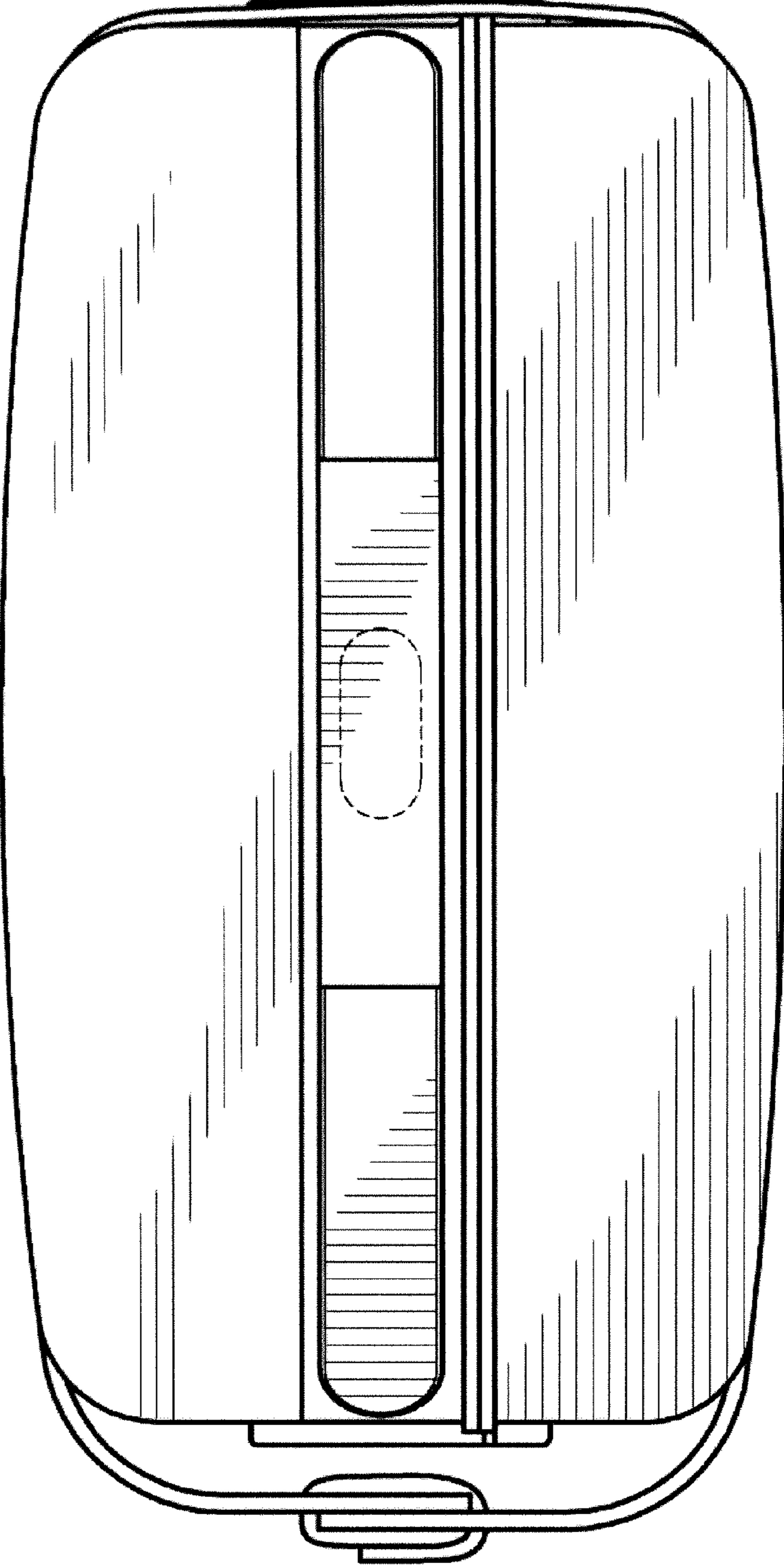


FIG.6

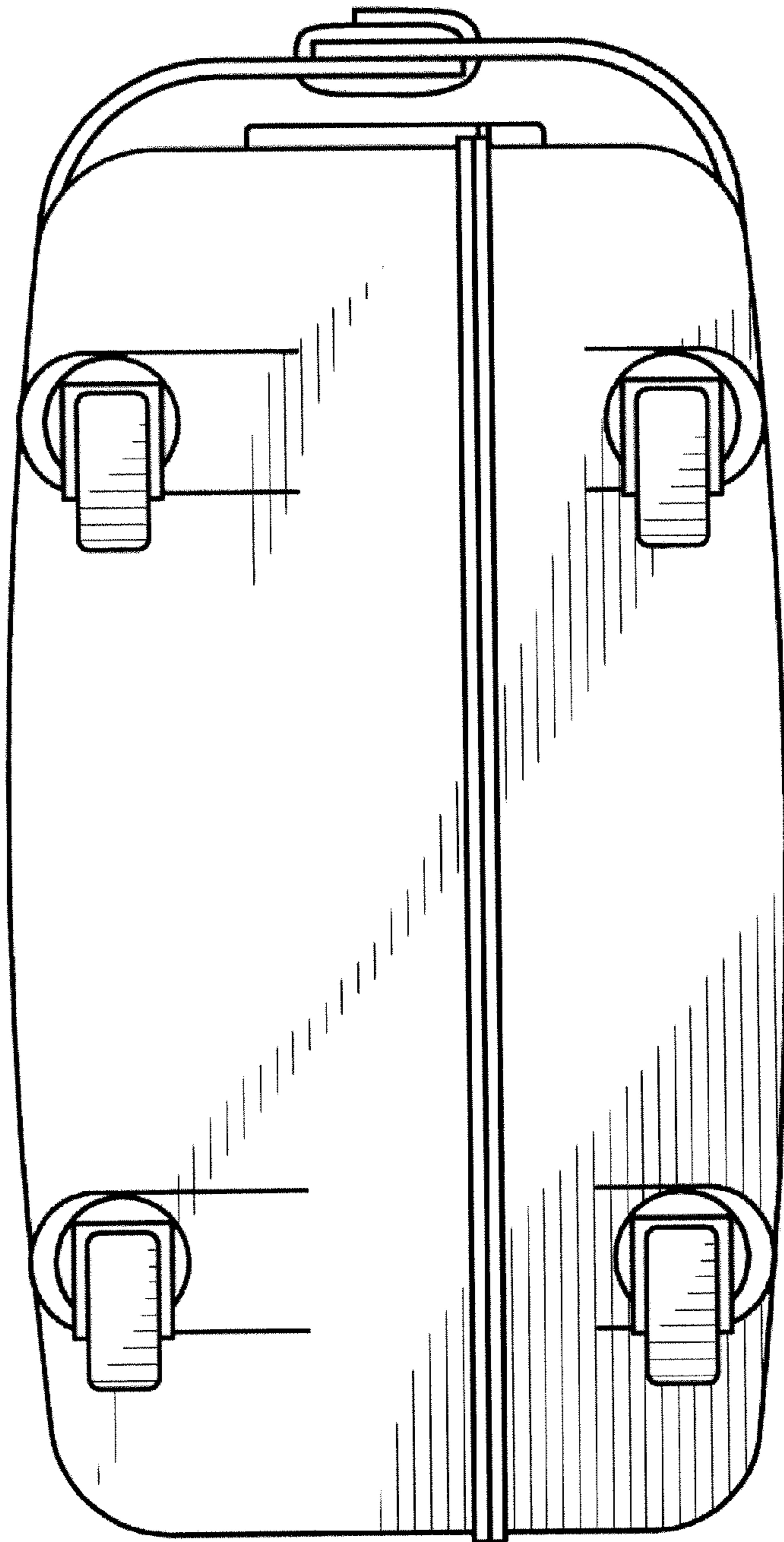


FIG. 7