



US00D623852S

(12) **United States Design Patent**  
**Kroll**

(10) **Patent No.:** **US D623,852 S**  
(45) **Date of Patent:** **\*\* Sep. 21, 2010**

(54) **WEARABLE POUCH WITH FLAP**

D509,057 S \* 9/2005 Bollig ..... D3/226

(75) Inventor: **Kendra B Kroll**, Prospect Heights, IL  
(US)

(Continued)

(73) Assignee: **Undercover Solutions, LLC**, Prospect  
Heights, IL (US)

**OTHER PUBLICATIONS**

(\*\*) Term: **14 Years**

Medtronic\_Thigh\_Pouch\_Jul. 16, 2006, Medtronic MiniMed, Inc.,  
Thigh or Leg Pouch, [http://www.minimed.com/mmStore/application?origin=sub\\_category\\_view.jsp&event=bea.portal.framework.internal.portlet.event&pageid=Products&portletid=Products&wfevent=product\\_detail\\_direct.event&wics\\_catalog\\_category\\_key=C-ACC-104-P](http://www.minimed.com/mmStore/application?origin=sub_category_view.jsp&event=bea.portal.framework.internal.portlet.event&pageid=Products&portletid=Products&wfevent=product_detail_direct.event&wics_catalog_category_key=C-ACC-104-P), Jul. 16, 2006.

(21) Appl. No.: **29/328,161**

(22) Filed: **Dec. 8, 2008**

(Continued)

**Related U.S. Application Data**

*Primary Examiner*—Catherine R Oliver

(63) Continuation of application No. 12/249,924, filed on  
Oct. 11, 2008.

(74) *Attorney, Agent, or Firm*—Patent and Licensing LLC;  
Daniel W. Juffernbruch

(51) **LOC (9) Cl.** ..... **03-01**

(57) **CLAIM**

(52) **U.S. Cl.** ..... **D3/226**

The ornamental design for a wearable pouch with flap, as  
shown and described.

(58) **Field of Classification Search** ..... D3/215,  
D3/218–219, 224, 226, 228, 221, 230; 224/219,  
224/222, 267, 269, 901.4, 240–241, 245,  
224/677, 684

See application file for complete search history.

**DESCRIPTION**

(56) **References Cited**

FIG. 1 is a left front top perspective view of a wearable pouch  
with flap and associated strap showing my new design;

**U.S. PATENT DOCUMENTS**

FIG. 2 is a rear elevation view thereof;

2,203,155	A *	6/1940	Jullien et al. ....	224/222
4,848,624	A	7/1989	Clem	
5,082,157	A	1/1992	Emerson-Santos	
5,115,519	A	5/1992	Dalrymple	
5,337,936	A	8/1994	Blum	
5,573,441	A	11/1996	Smith	
D391,075	S *	2/1998	Jackson et al. ....	D3/215
5,755,366	A	5/1998	Mazzo	
5,779,122	A	7/1998	Martinelli	
6,112,961	A	9/2000	Phillips	
6,289,612	B1	9/2001	Kent	
6,308,340	B1	10/2001	Cook	
6,321,957	B1	11/2001	Rossi	
D464,192	S *	10/2002	Fairbairn et al. ....	D3/215
6,568,574	B2	5/2003	Jones et al.	
D485,982	S *	2/2004	Merkel et al. ....	D3/226
6,772,446	B1	8/2004	Black	

FIG. 3 is a right side elevation view thereof;

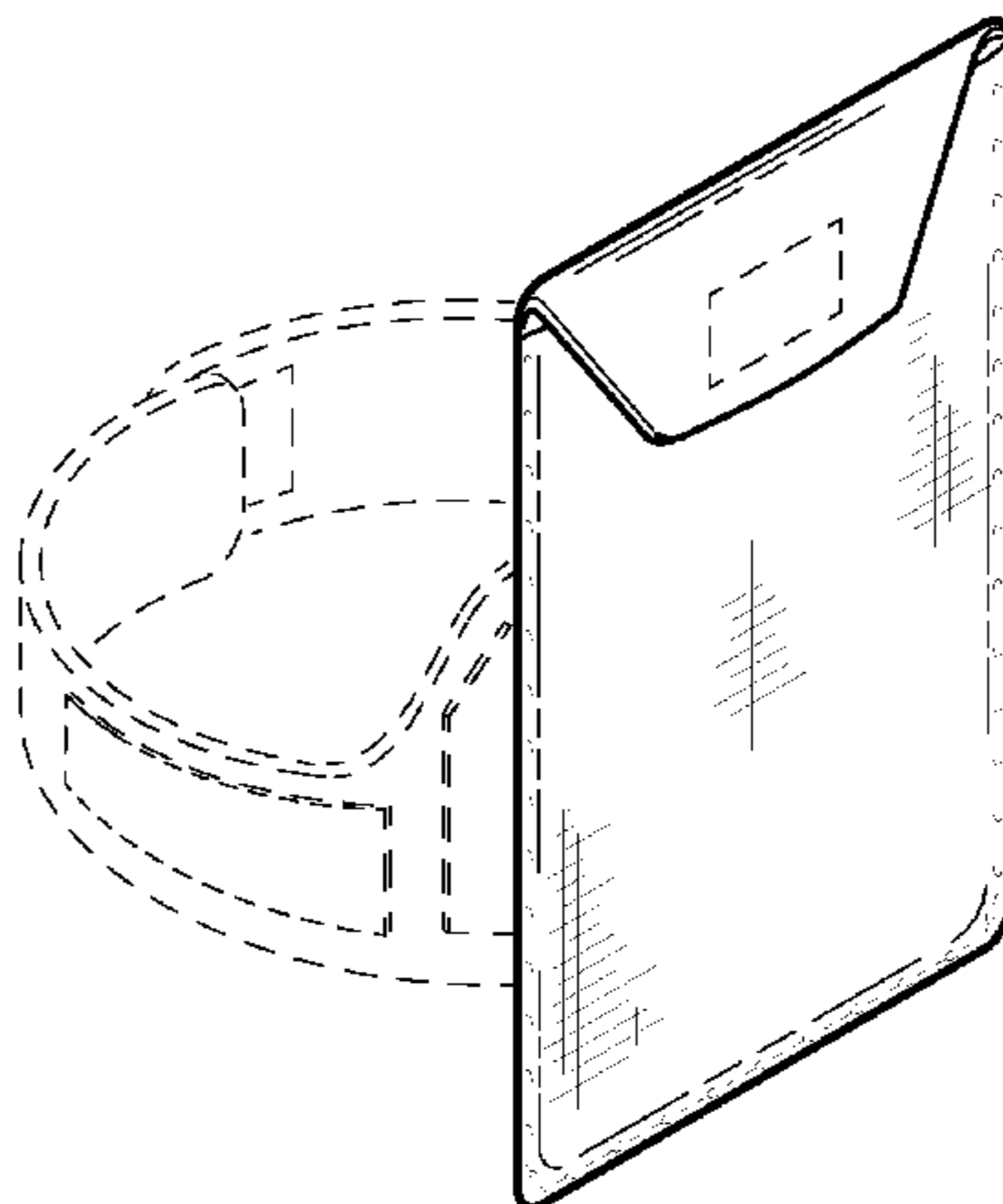
FIG. 4 is a bottom plan view thereof; and,

FIG. 5 is a left front top perspective view of the strap for the  
wearable pouch with flap.

All stitching and fasteners have been shown in phantom line.  
The phantom line showing of hook and loop fasteners and of  
stitching around the hook and loop fasteners and of stitching  
around a perimeter of the wearable pouch shown in FIGS. 1-5  
is for illustrative purposes only and forms no part of the  
claimed design.

The shading and crosshatched patterns shown in the drawing  
is understood to represent fabric surfaces and is repeated  
uniformly throughout the areas shown.

**1 Claim, 2 Drawing Sheets**



U.S. PATENT DOCUMENTS

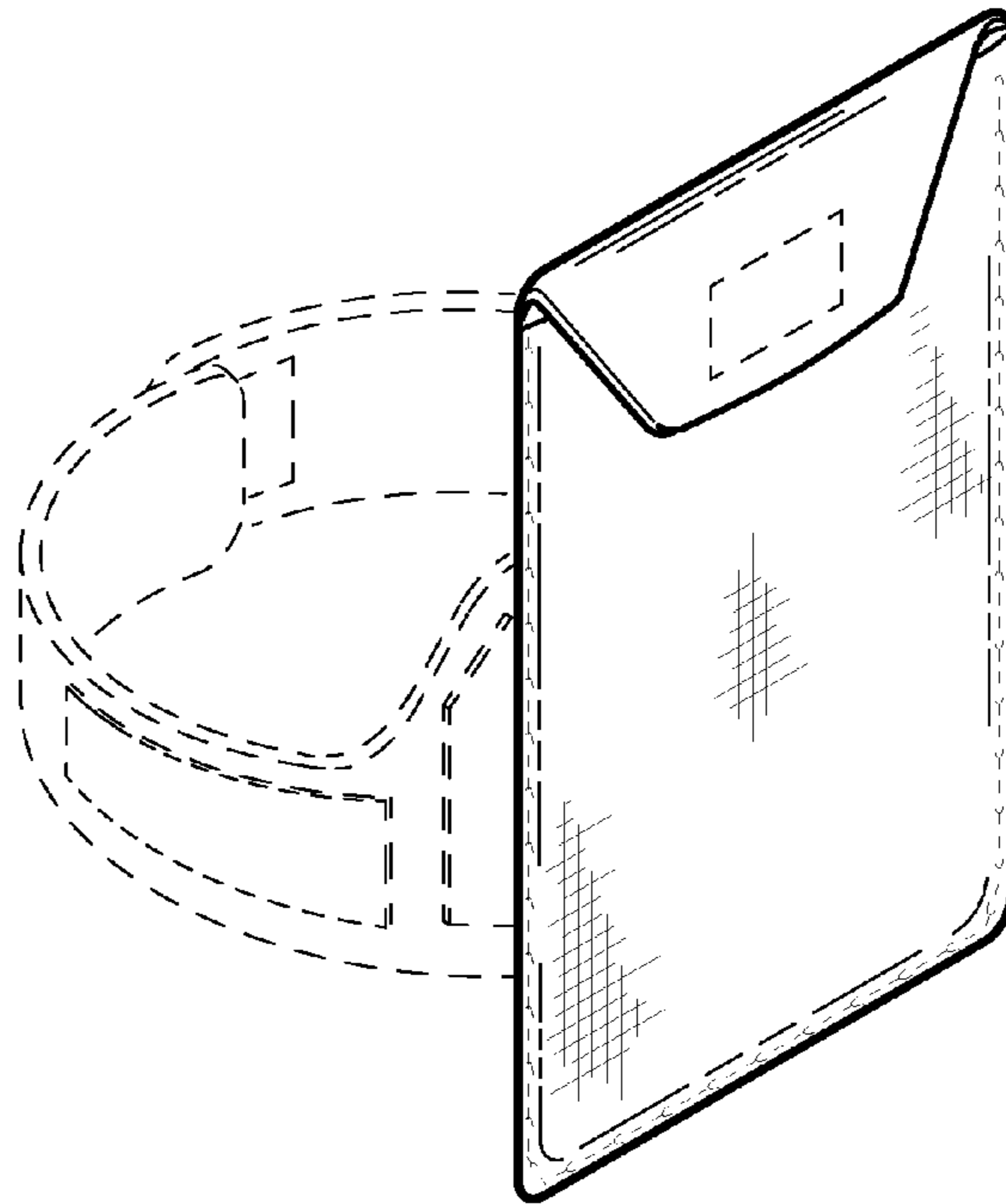
2003/0222109 A1 12/2003 Weiss  
2004/0031830 A1 2/2004 Davis  
2006/0010578 A1 1/2006 Kane  
2006/0011687 A1 1/2006 Wadley et al.

OTHER PUBLICATIONS

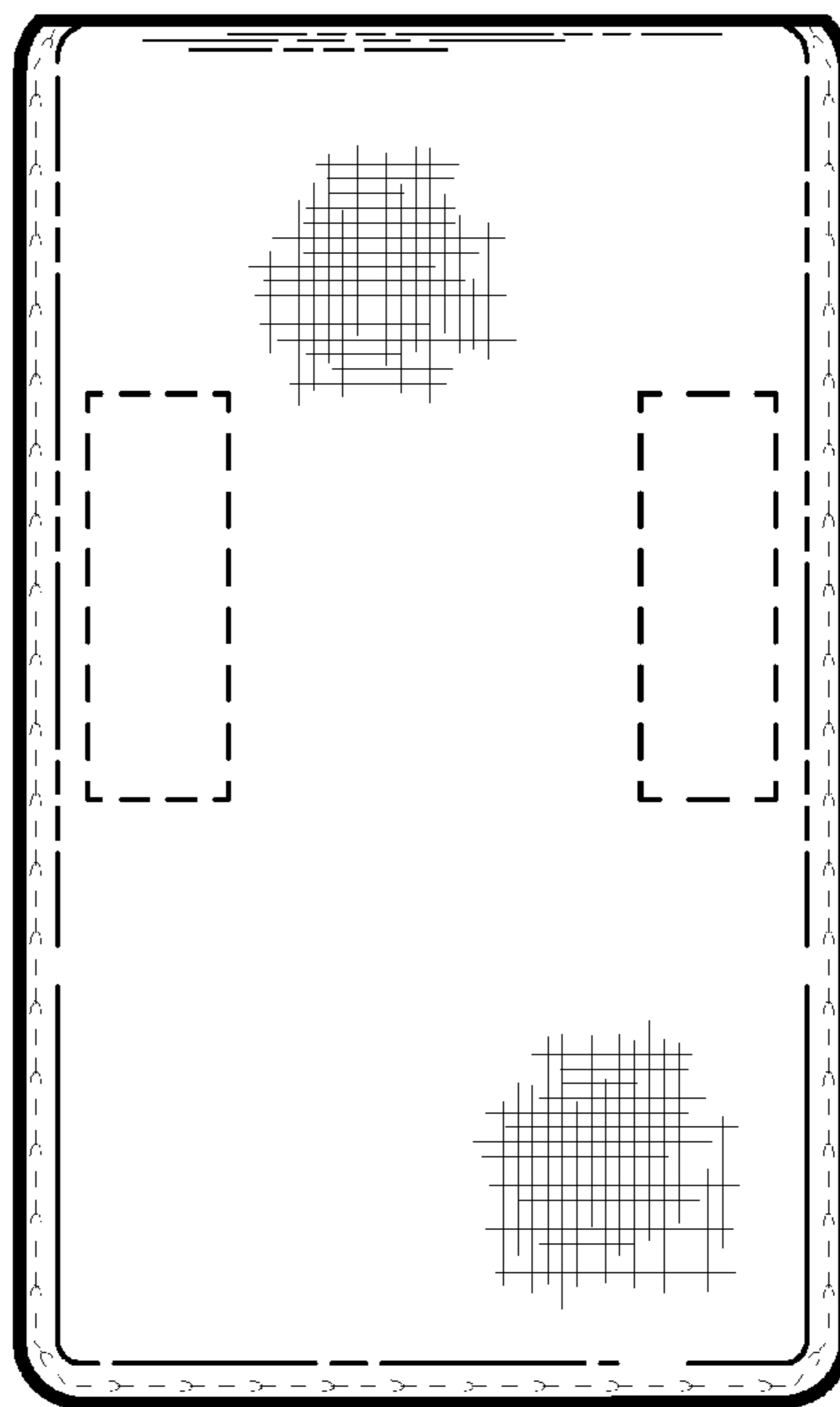
Medtronic\_Waist\_Pouch\_Jul. 16, 2006, Medtronic MiniMed, Inc.,  
Waist Pouch, [http://www.minimed.com/mmStore/application?origin=sub\\_category\\_view.jsp&event=bea\\_portal.framework.internal.portlet.event&pageid=Products&portletid=Products&wfevent=product\\_detail\\_direct.event&wlcs\\_catalog\\_category\\_key=C-ACC-106-P](http://www.minimed.com/mmStore/application?origin=sub_category_view.jsp&event=bea_portal.framework.internal.portlet.event&pageid=Products&portletid=Products&wfevent=product_detail_direct.event&wlcs_catalog_category_key=C-ACC-106-P), Jul. 16, 2006.  
Medtronic\_Neoprene\_Case\_Jul. 16, 2006, Medtronic MiniMed, Inc., Neoprene Case, <http://www.minimed.com/mmStore/>

[application?origin=sub\\_category\\_view.jsp&event=bea\\_portal.framework.internal.portlet.event&pageid=Products&portletid=Products&wfevent=product\\_detail\\_direct.event&wlcs\\_catalog\\_category\\_key=C-ACC-221-P](http://www.minimed.com/mmStore/application?origin=sub_category_view.jsp&event=bea_portal.framework.internal.portlet.event&pageid=Products&portletid=Products&wfevent=product_detail_direct.event&wlcs_catalog_category_key=C-ACC-221-P), Jul. 16, 2006.  
A\_Little\_Lingerie\_Company\_Cell\_Phone\_Garters, A Little Lingerie Company, Cell Phone Garters, <http://www.alittlelingeriecompany.com/product.php?productid=16351&cat=336&page=1>, Apr. 2, 2006.  
A\_Little\_Lingerie\_Company\_Pocketbook\_Garter, A Little Lingerie Company, Pocketbook Garter, <http://www.alittlelingeriecompany.com/product.php?productid=16355&cat=0&page=1>, Apr. 2, 2006.  
Tsaya\_Mobile\_Phone\_Thigh\_Holster, Tsaya, Phone Holster, <http://www.gizmag.com/go/4146>, Jun. 15, 2005.

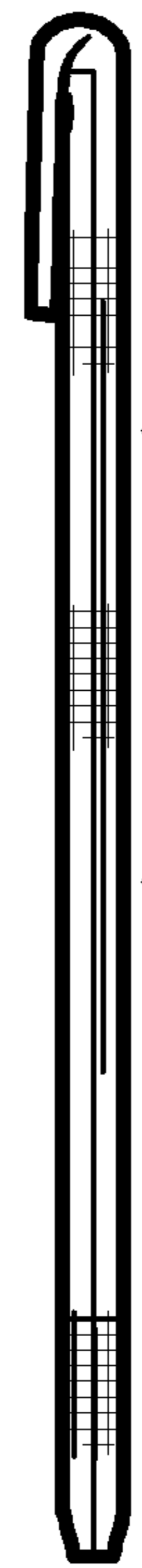
\* cited by examiner



**FIG. 1**



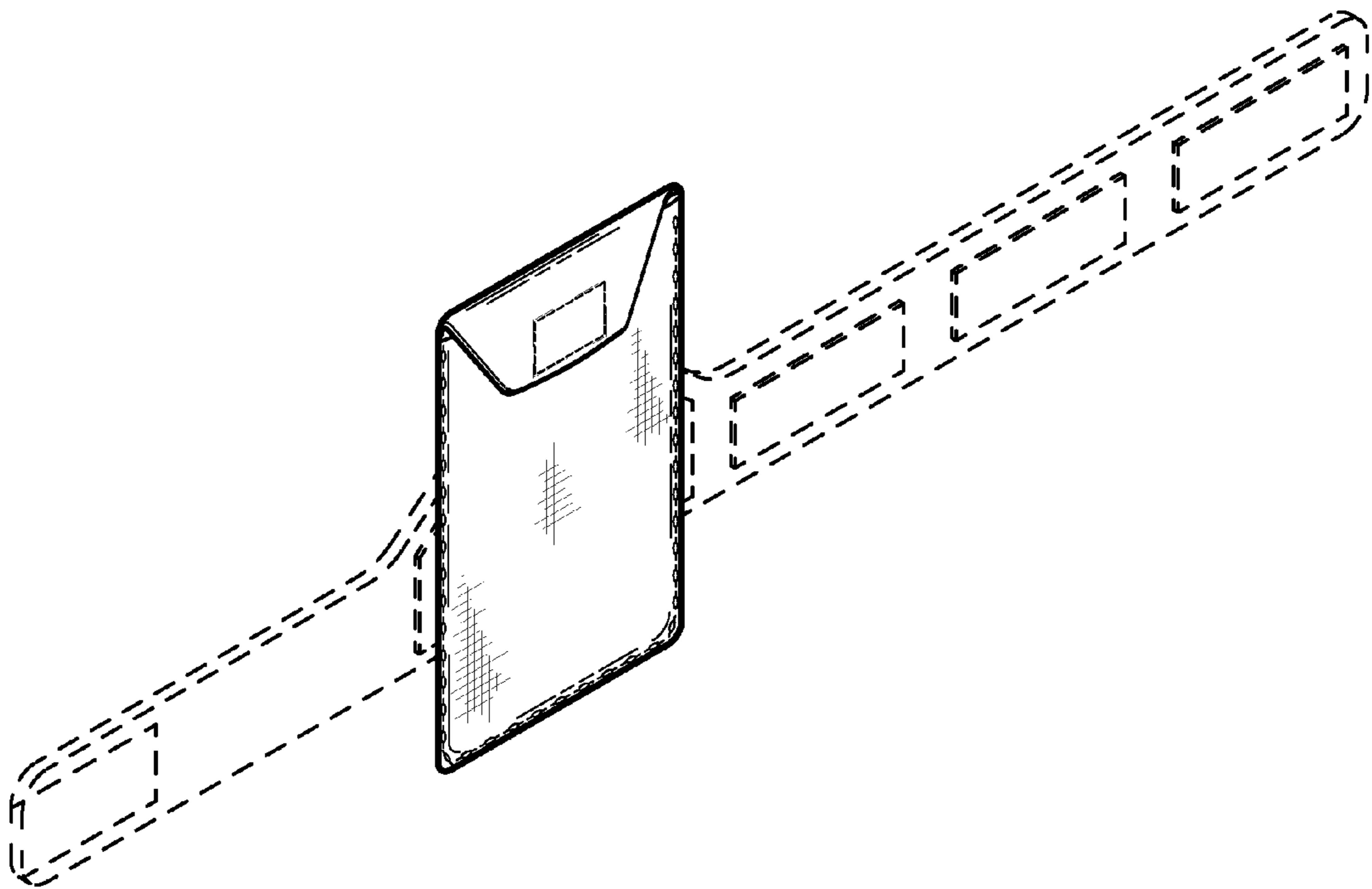
**FIG. 2**



**FIG. 3**



**FIG. 4**



*FIG. 5*