



US00D623850S

(12) **United States Design Patent**
Exum

(10) **Patent No.:** **US D623,850 S**

(45) **Date of Patent:** **** Sep. 21, 2010**

(54) **ATTACHABLE CANE HOLDING DEVICE**

(76) **Inventor:** **James E. Exum**, 998 E. 130th St.,
Cleveland, OH (US) 44108

(**) **Term:** **14 Years**

(21) **Appl. No.:** **29/353,100**

(22) **Filed:** **Dec. 31, 2009**

(51) **LOC (9) Cl.** **03-01**

(52) **U.S. Cl.** **D3/215**

(58) **Field of Classification Search** D3/7,
D3/11, 13, 215, 228, 229; D2/624, 627,
D2/629; 24/3.11-3.12; 135/65-66; 224/269,
224/901.4, 901.8, 230, 250-251, 247, 625
See application file for complete search history.

(56) **References Cited**

U.S. PATENT DOCUMENTS

781,629	A	2/1905	Ahlstrom	
4,884,730	A	12/1989	Carpenter	
4,915,279	A *	4/1990	Galbraith	224/230
4,958,758	A	9/1990	Tipple et al.	
5,664,713	A *	9/1997	Burgstahler	224/250
6,000,414	A	12/1999	Crusor	
D434,544	S *	12/2000	Goldman	D2/627
D438,371	S	3/2001	Tong et al.	
D469,250	S *	1/2003	Armstrong	D3/228
6,502,283	B1	1/2003	Aguirre	
6,691,722	B2	2/2004	Hutchinson et al.	

6,997,362	B1	2/2006	Pidcock	
D547,048	S	7/2007	Conway et al.	
D551,857	S *	10/2007	Gonzalez et al.	D3/228
D557,878	S *	12/2007	Haefner et al.	D2/624
2008/0083798	A1	4/2008	Broadwell et al.	

* cited by examiner

Primary Examiner—Catherine R Oliver

(57) **CLAIM**

The ornamental design for an attachable cane holding device, as shown and described.

DESCRIPTION

FIG. 1 is a perspective view of an attachable cane holding device showing my new design;

FIG. 2 is a front view thereof;

FIG. 3 is a rear view thereof;

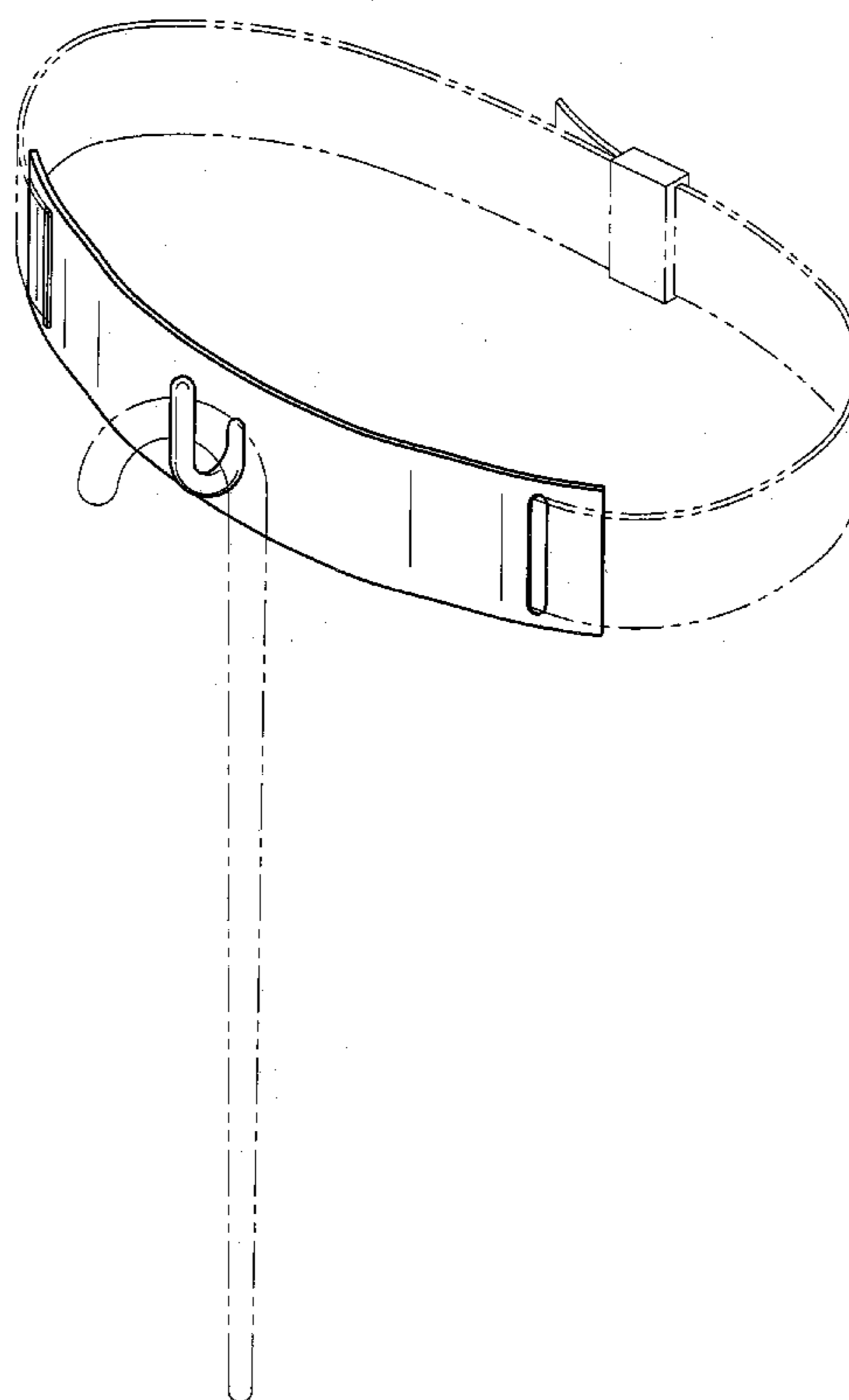
FIG. 4 is a side view (opposite side view is mirror image) thereof;

FIG. 5 is a top view thereof; and,

FIG. 6 is a bottom view thereof.

In FIG. 1, the broken lines showing of environmental structure for purposes of illustrating the attachable cane holding device in a condition of use. The broken lines and the structure they depict form no part of the claimed design.

1 Claim, 3 Drawing Sheets



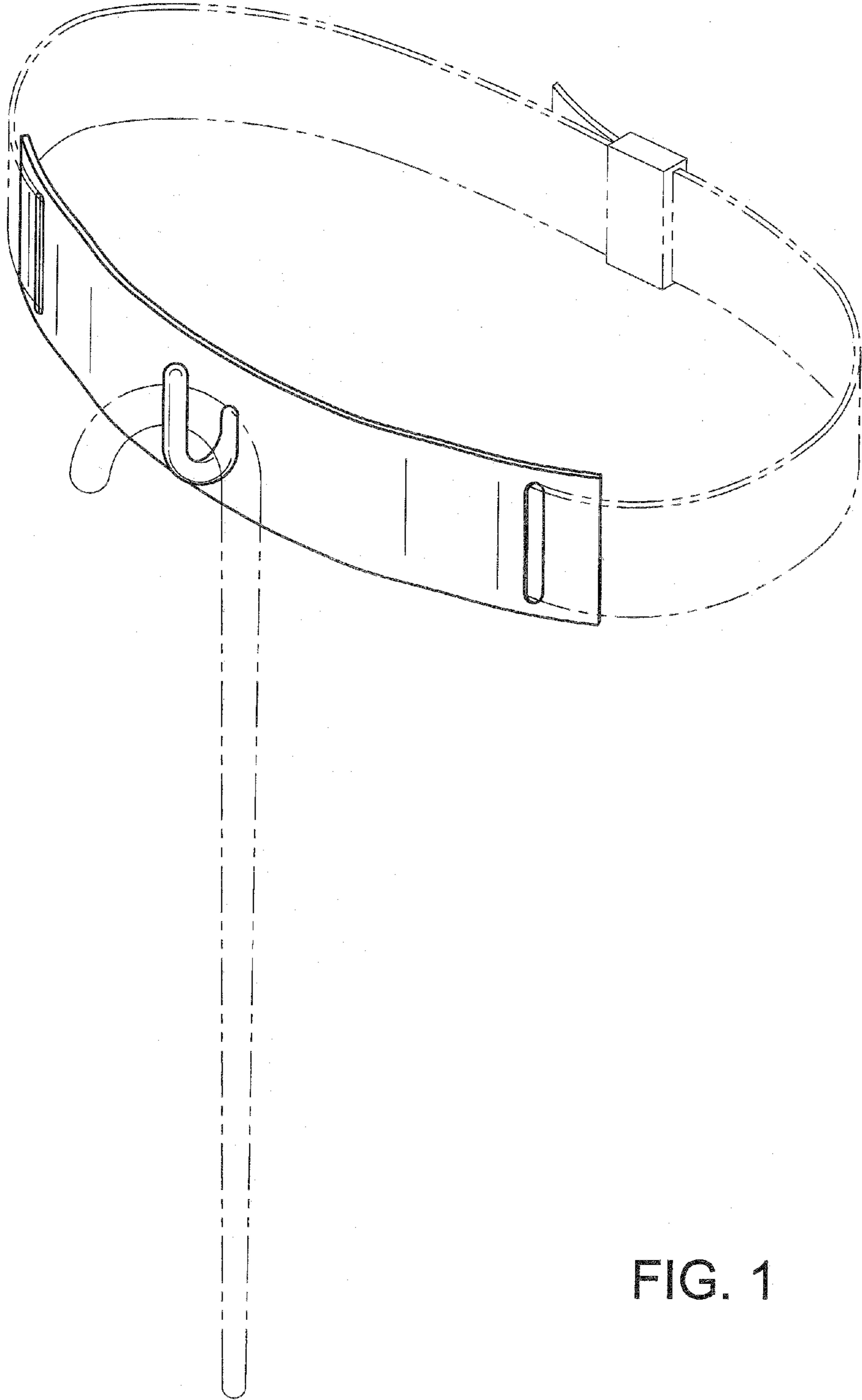


FIG. 1

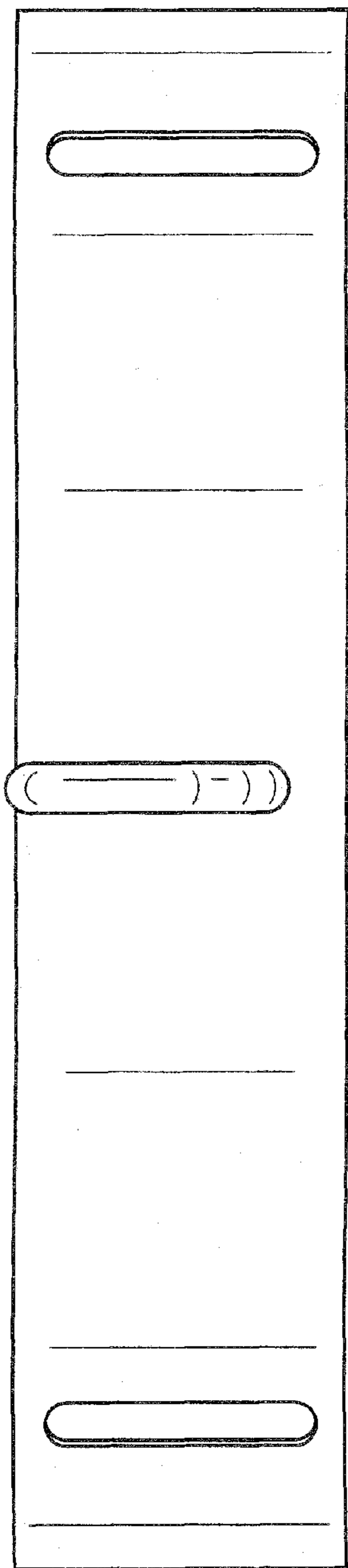


FIG. 2

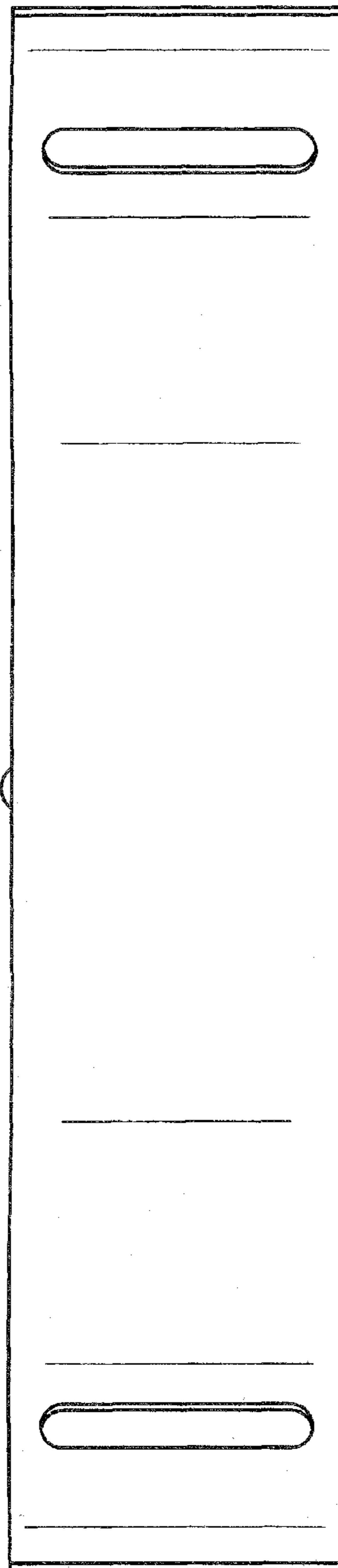


FIG. 3

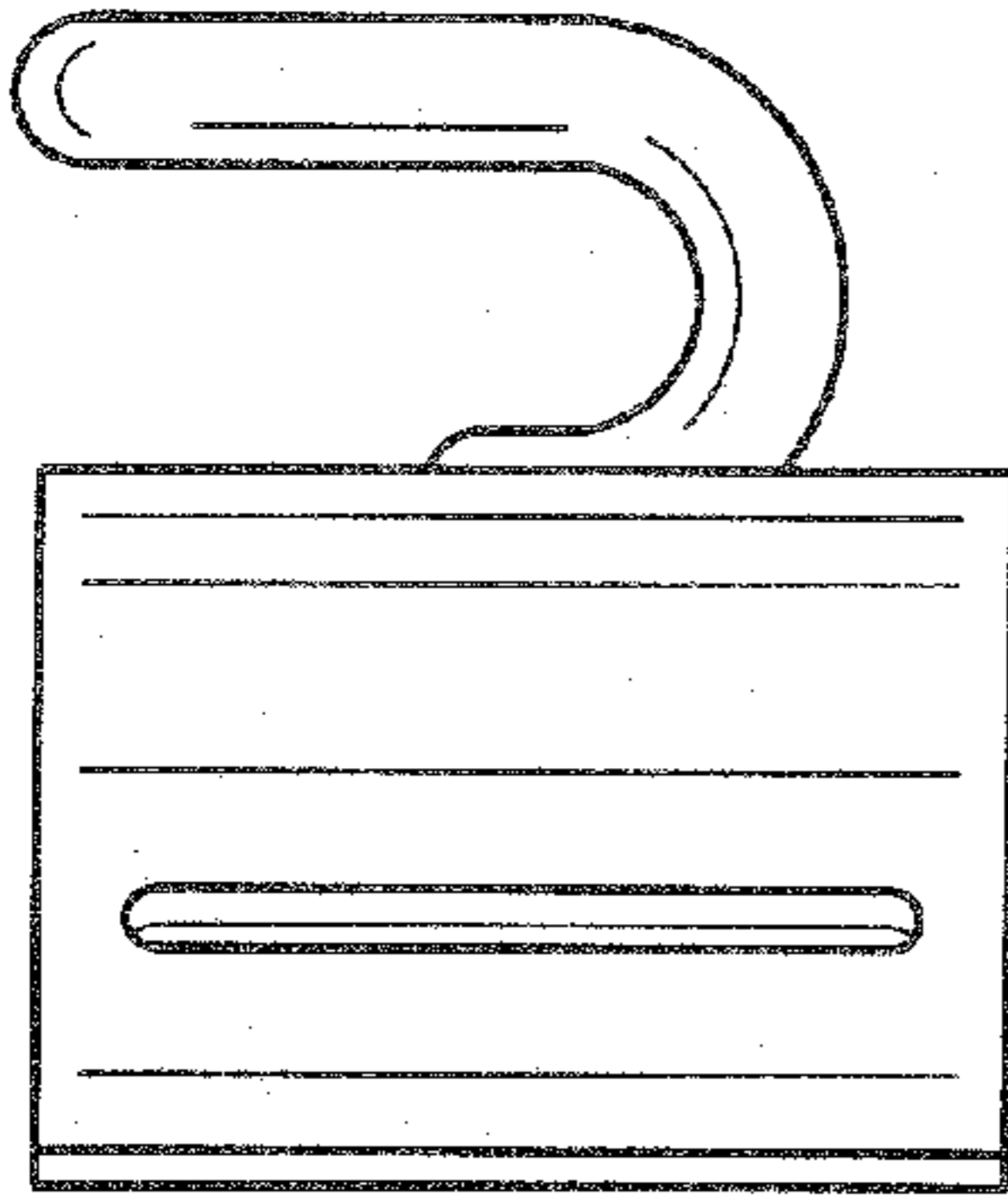


FIG. 4

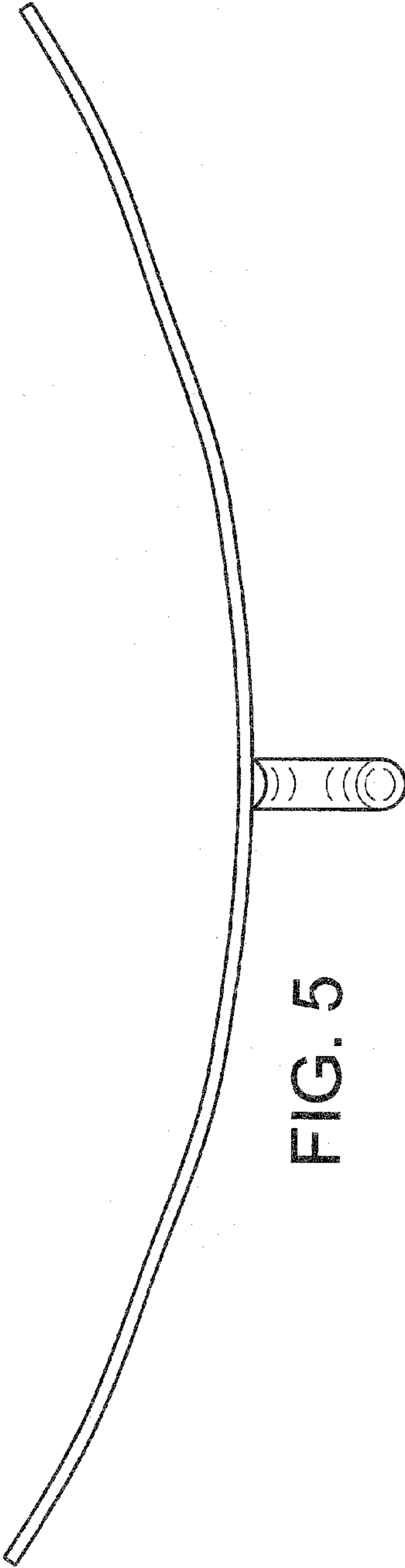


FIG. 5

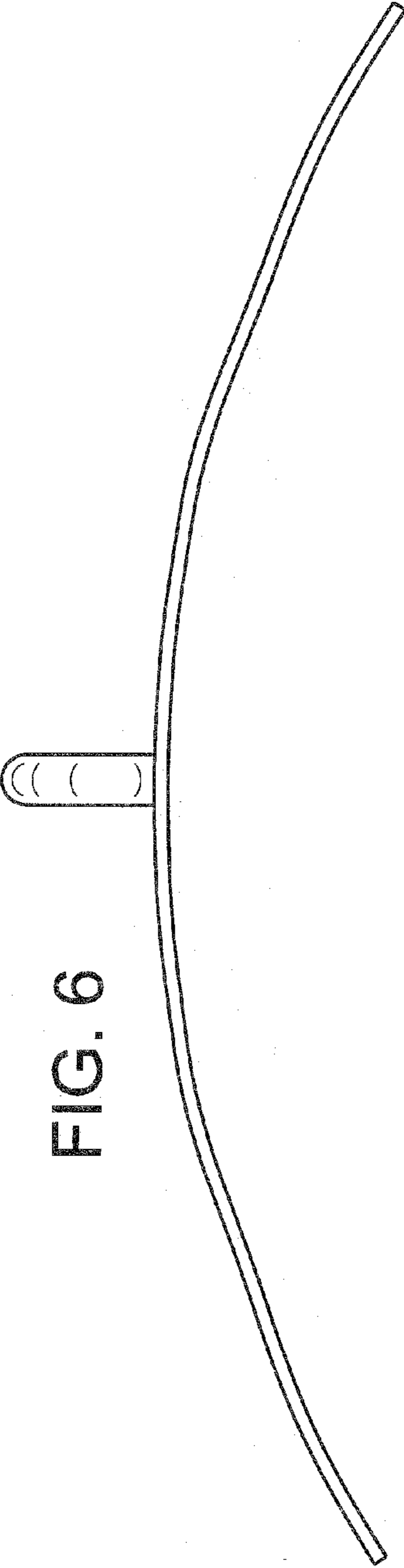


FIG. 6