



US00D623847S

(12) **United States Design Patent**
Iwasaki

(10) **Patent No.:** **US D623,847 S**
(45) **Date of Patent:** **** Sep. 21, 2010**

(54) **ASSEMBLY OF BOBBIN HOLDERS AND A STAND**

DESCRIPTION

(75) Inventor: **Chihiro Iwasaki**, Osaka (JP)

(73) Assignee: **Clover Mfg. Co., Ltd.**, Osaka (JP)

(**) Term: **14 Years**

(21) Appl. No.: **29/337,400**

(22) Filed: **May 21, 2009**

(51) **LOC (9) Cl.** **02-07**

(52) **U.S. Cl.** **D3/25**

(58) **Field of Classification Search** D3/18-29;
D8/358, 359, 360.1; 223/106, 120; 242/118.5,
242/118.7, 129.7, 134, 588, 606, 139
See application file for complete search history.

(56) **References Cited**

U.S. PATENT DOCUMENTS

D42,865 S * 8/1912 Unterreiner D3/25
(Continued)

FOREIGN PATENT DOCUMENTS

JP D1221723 11/2004

Primary Examiner—T. Chase Nelson

Assistant Examiner—Anhdao Doan

(74) *Attorney, Agent, or Firm*—Hamre, Schumann,
Mueller & Larson, P.C.

(57) **CLAIM**

I claim the ornamental design for an assembly of bobbin holders and a stand, as shown and described.

FIG. 1 is a perspective view of an assembly of bobbin holders and a stand according to my new design;

FIG. 2 is a front view of the same assembly;

FIG. 3 is a rear view of the same assembly;

FIG. 4 is a top plan view of the same assembly;

FIG. 5 is a bottom view of the same assembly;

FIG. 6 is a right side view of the same assembly;

FIG. 7 is a left side view of the same assembly;

FIG. 8 is a perspective view of a bobbin holder to be incorporated in the assembly shown separately for the completeness of the illustration;

FIG. 9 is a front view of the bobbin holder;

FIG. 10 is a rear view of the bobbin holder;

FIG. 11 is a top plan view of the bobbin holder;

FIG. 12 is a bottom view of the bobbin holder;

FIG. 13 is a right side view of the bobbin holder;

FIG. 14 is a left side view of the bobbin holder;

FIG. 15 is a perspective view of a stand to be incorporated in the assembly shown separately for the completeness of the illustration;

FIG. 16 is a front view of the stand;

FIG. 17 is a rear view of the stand;

FIG. 18 is a top plan view of the stand;

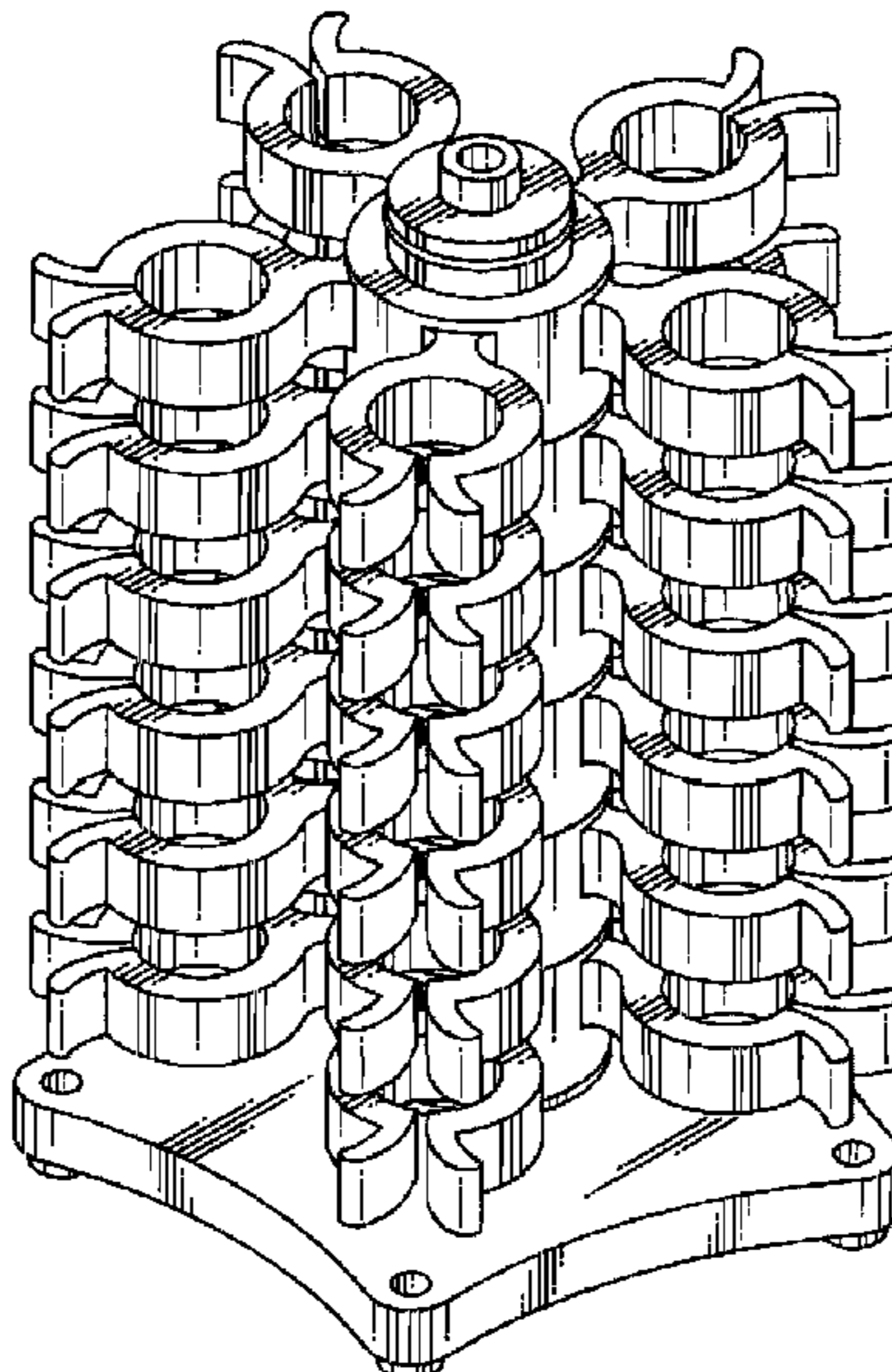
FIG. 19 is a bottom view of the stand;

FIG. 20 is a right side view of the stand; and,

FIG. 21 is a left side view of the stand.

The broken lines in FIGS. 5, 12, and 19 are included for the purpose of illustrating portions of the assembly of bobbin holders and a stand that form no part of the claimed design.

1 Claim, 12 Drawing Sheets



US D623,847 S

Page 2

U.S. PATENT DOCUMENTS

D92,939 S *	8/1934	Albert	D3/24	D250,616 S *	12/1978	Cofer	D3/25
3,464,648 A *	9/1969	Fuhriman	242/139	D258,777 S *	4/1981	Kailey	D3/24
3,854,673 A *	12/1974	Manning	242/118.41	D333,559 S *	3/1993	Rowley	D3/25
D244,323 S *	5/1977	Stone	D3/25	5,975,458 A *	11/1999	Goldthreate	242/603
					D492,105 S *	6/2004	Sauber	D3/25

* cited by examiner

FIG. 1

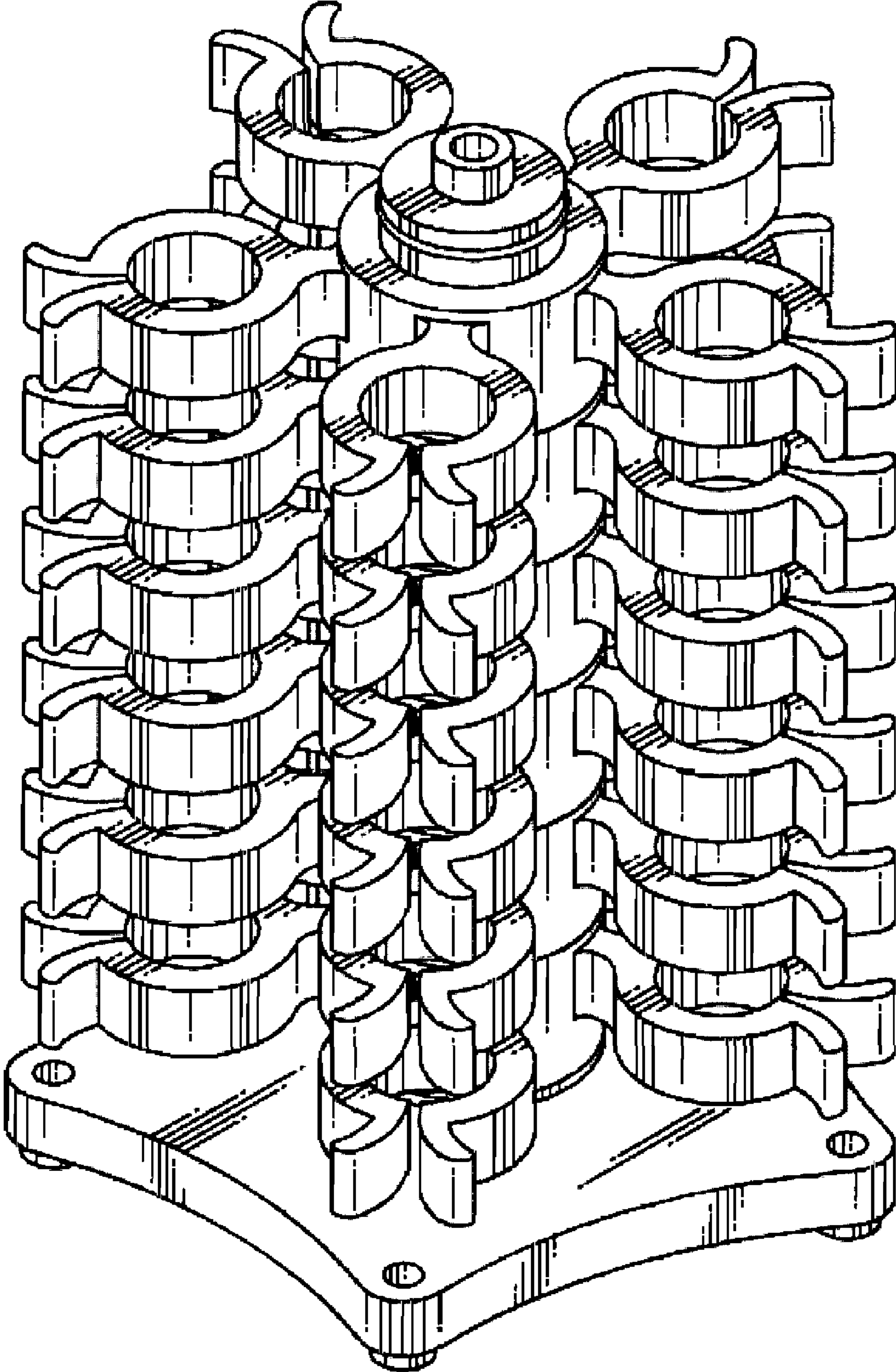


FIG.2

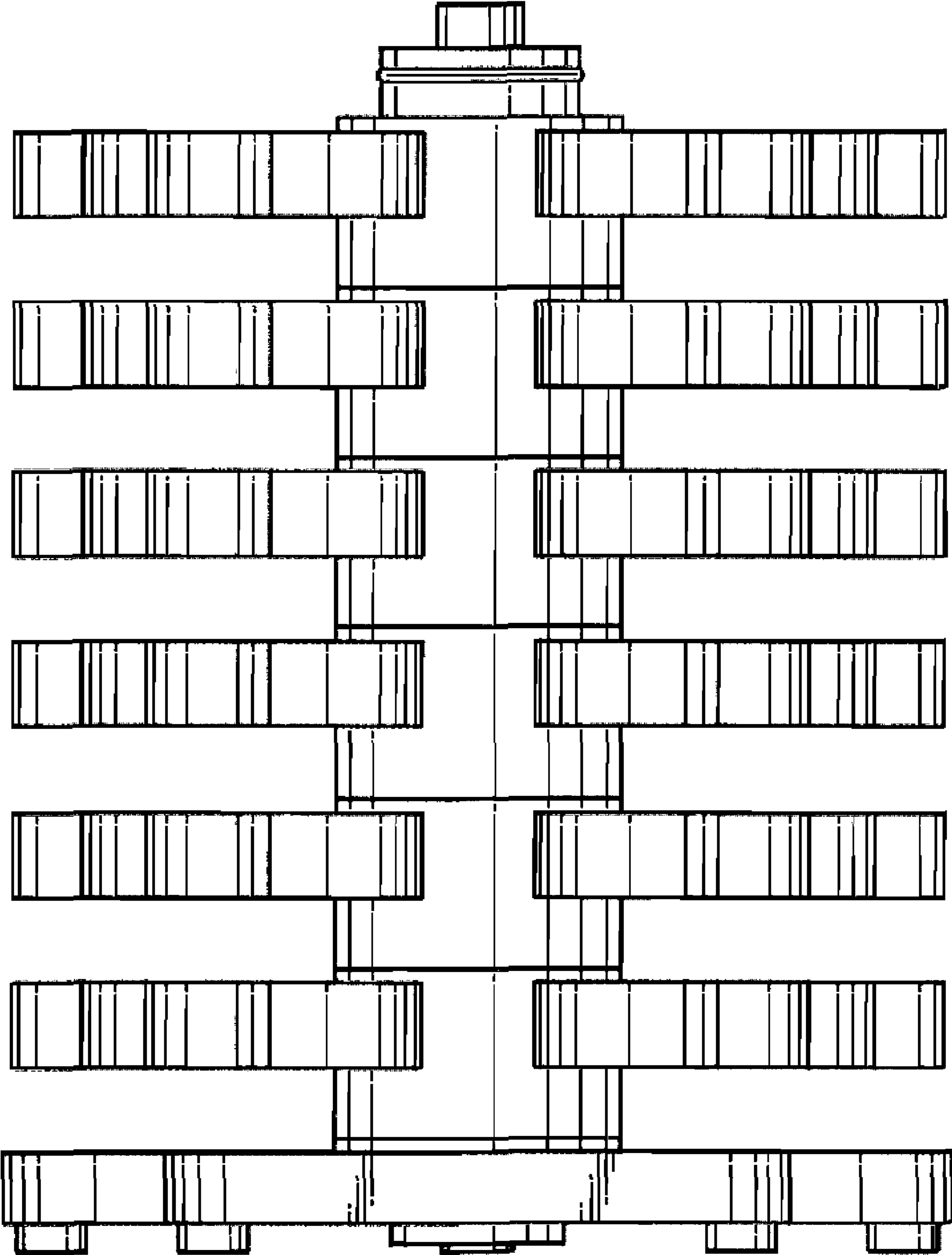


FIG.3

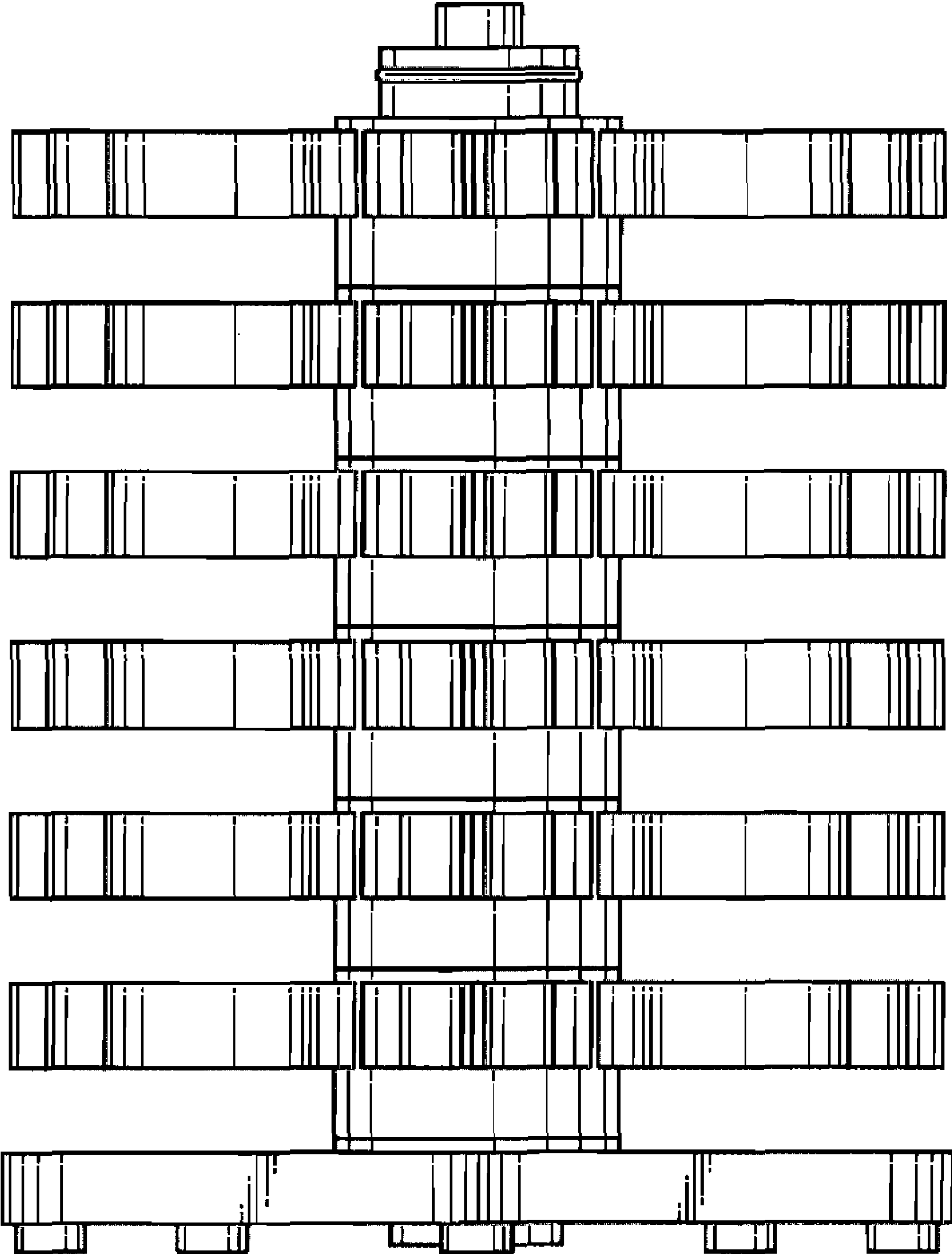


FIG.4

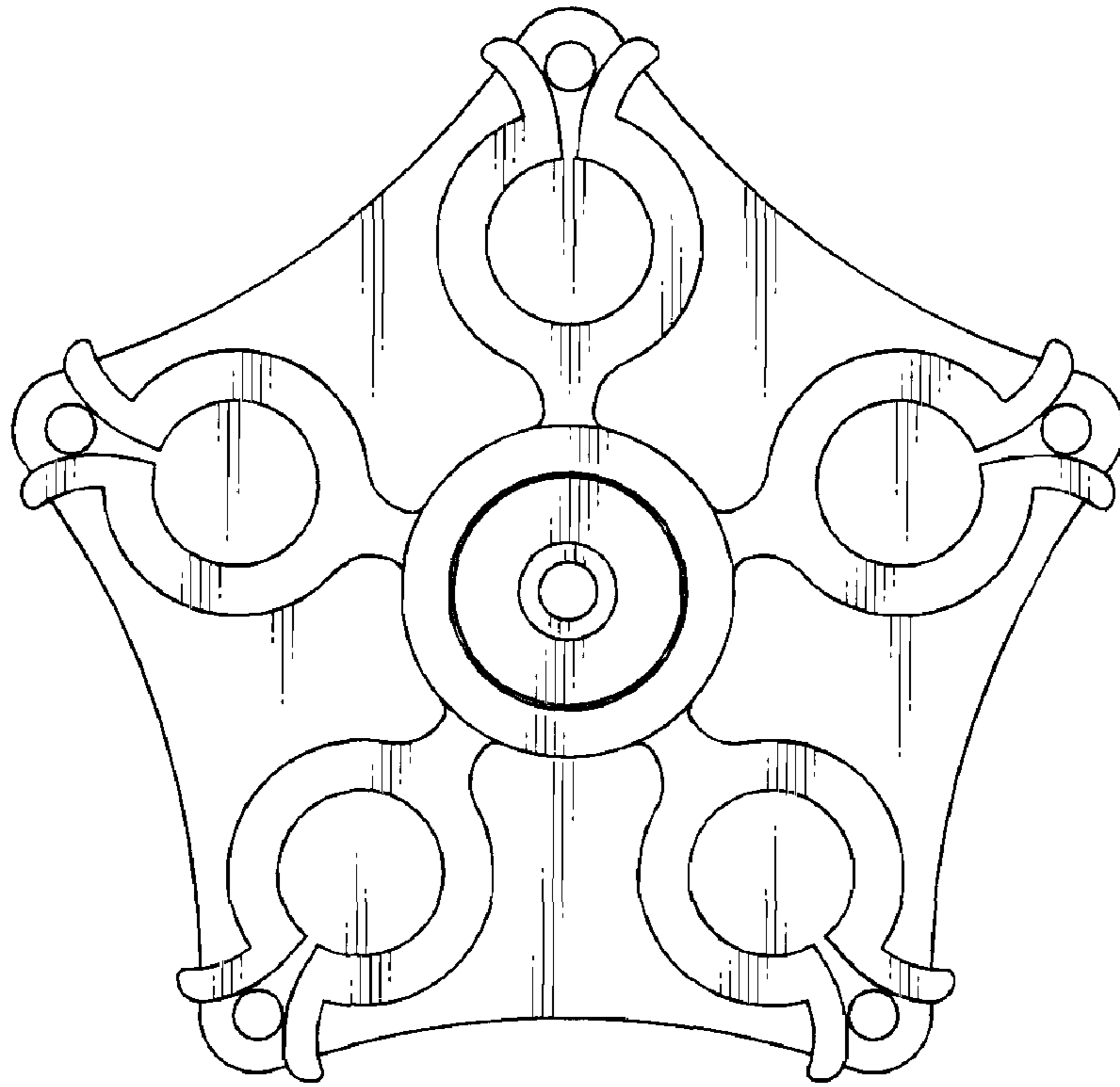


FIG.5

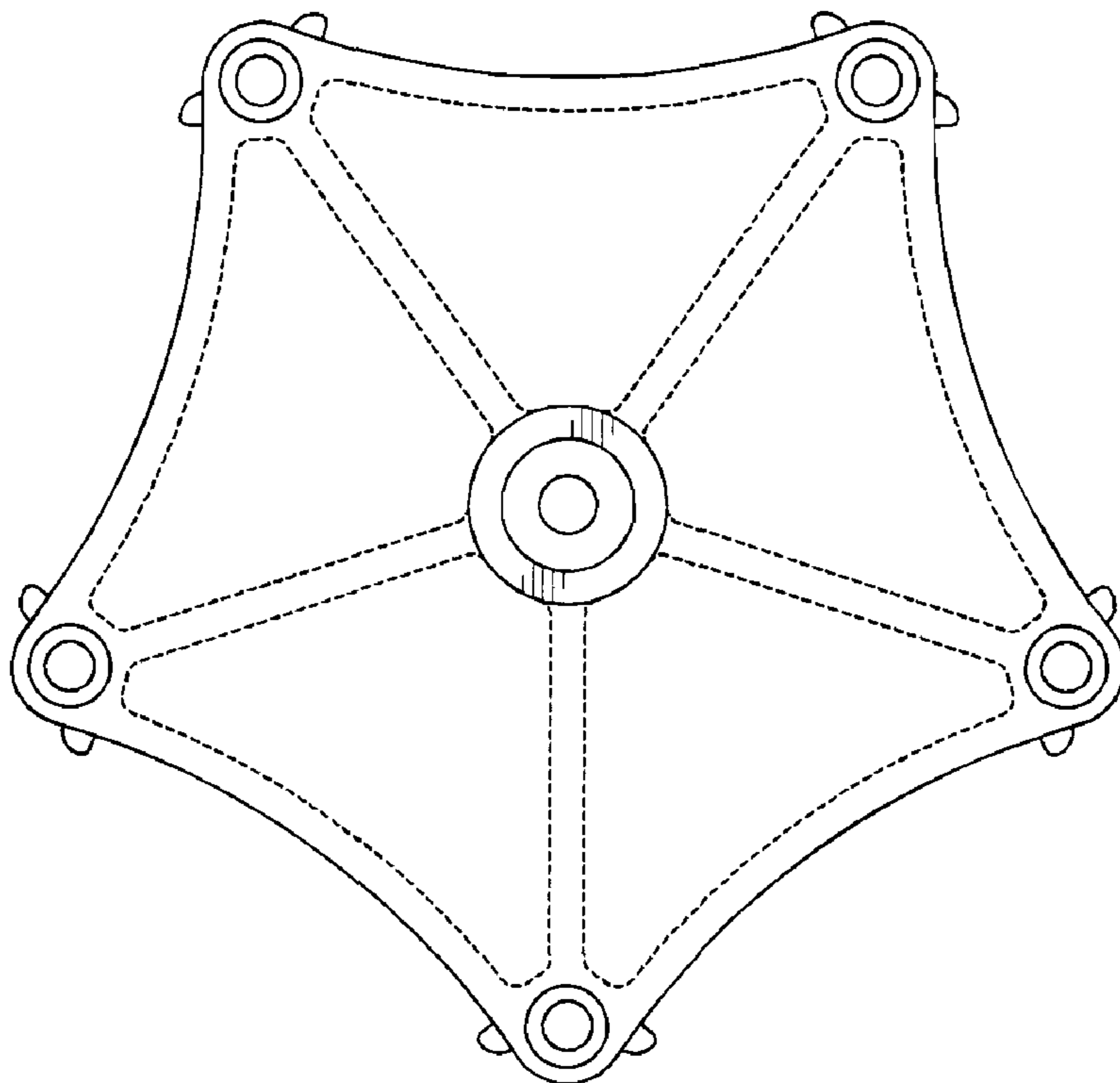


FIG.6

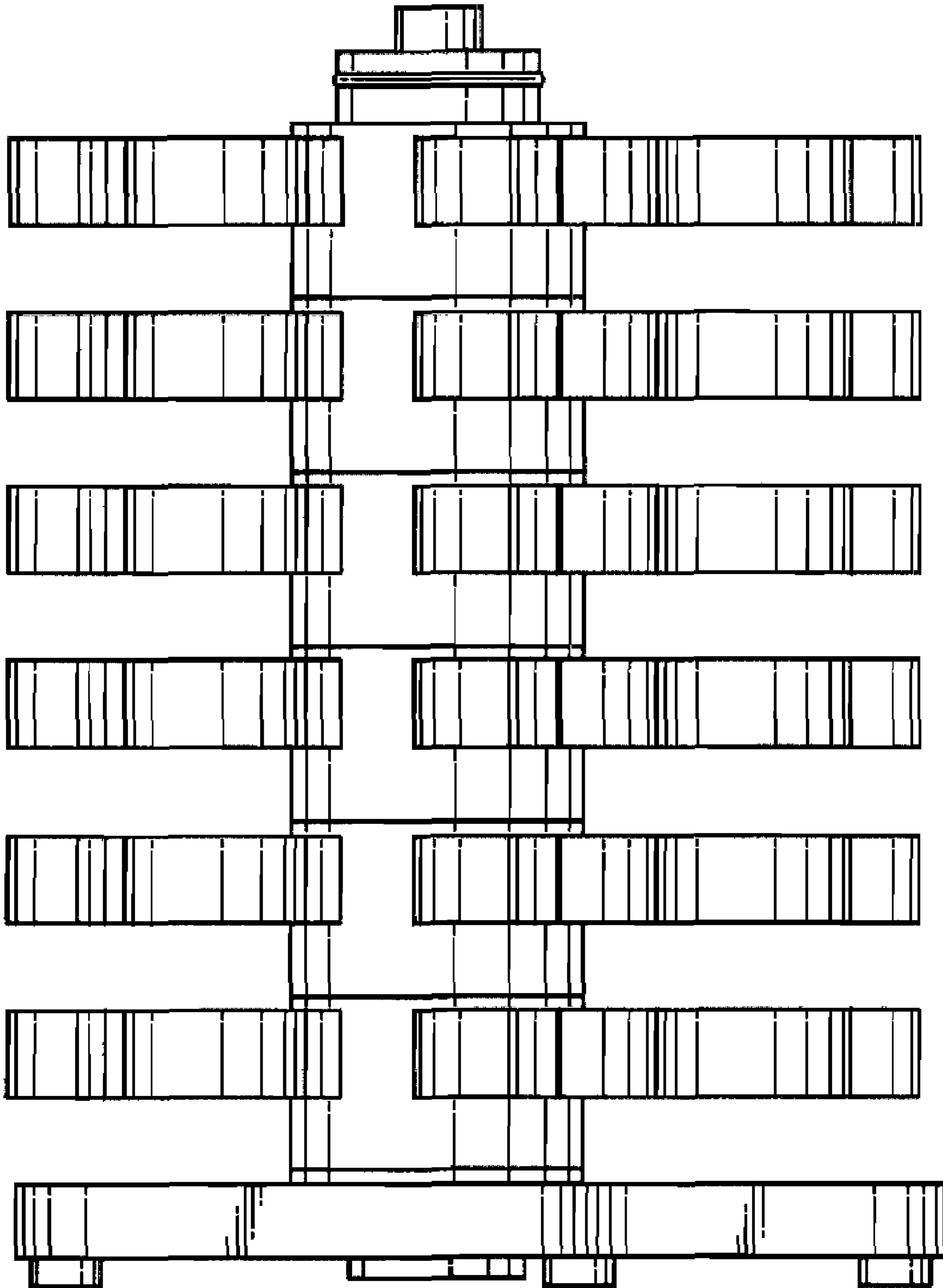


FIG. 7

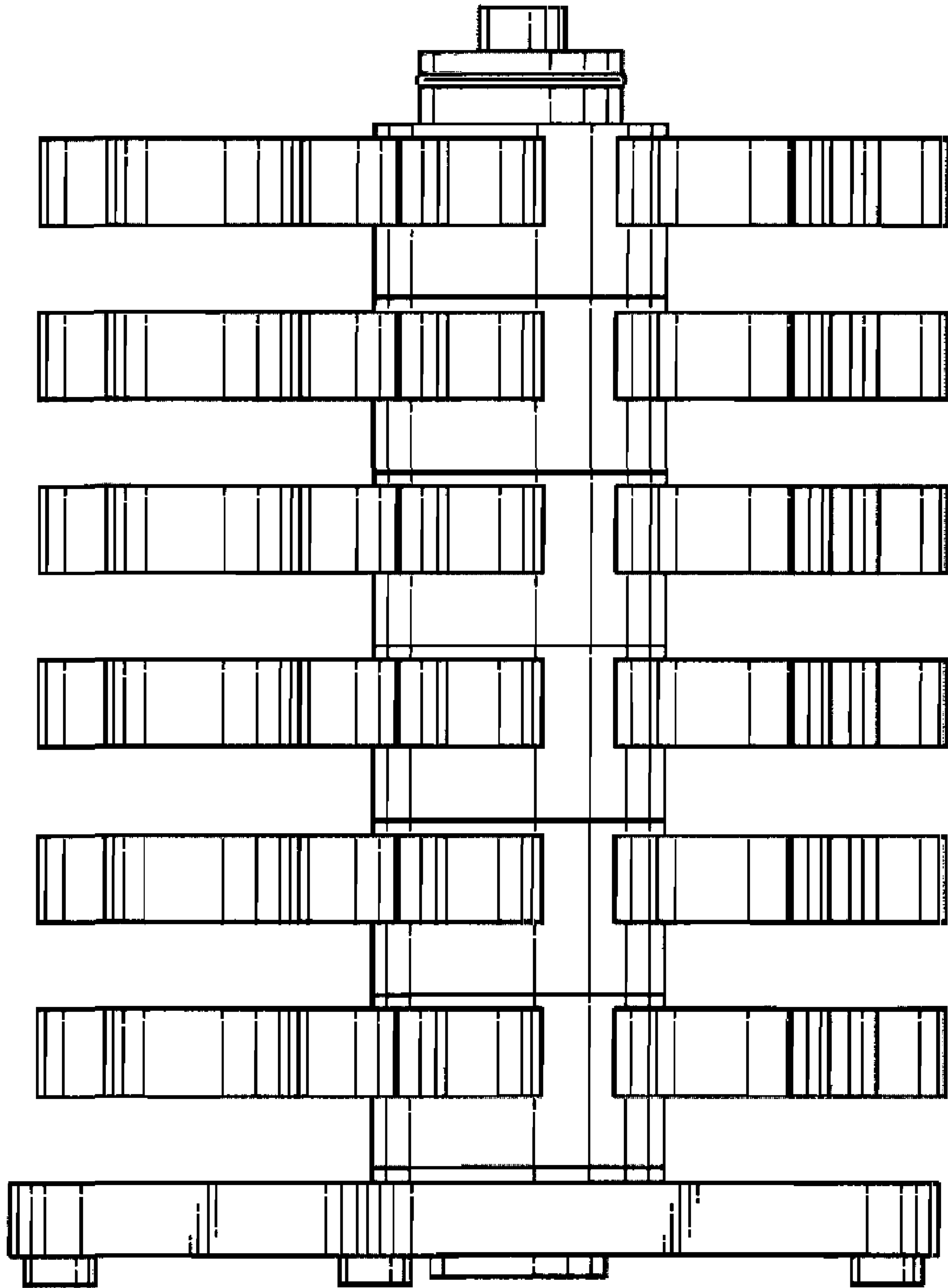


FIG. 8

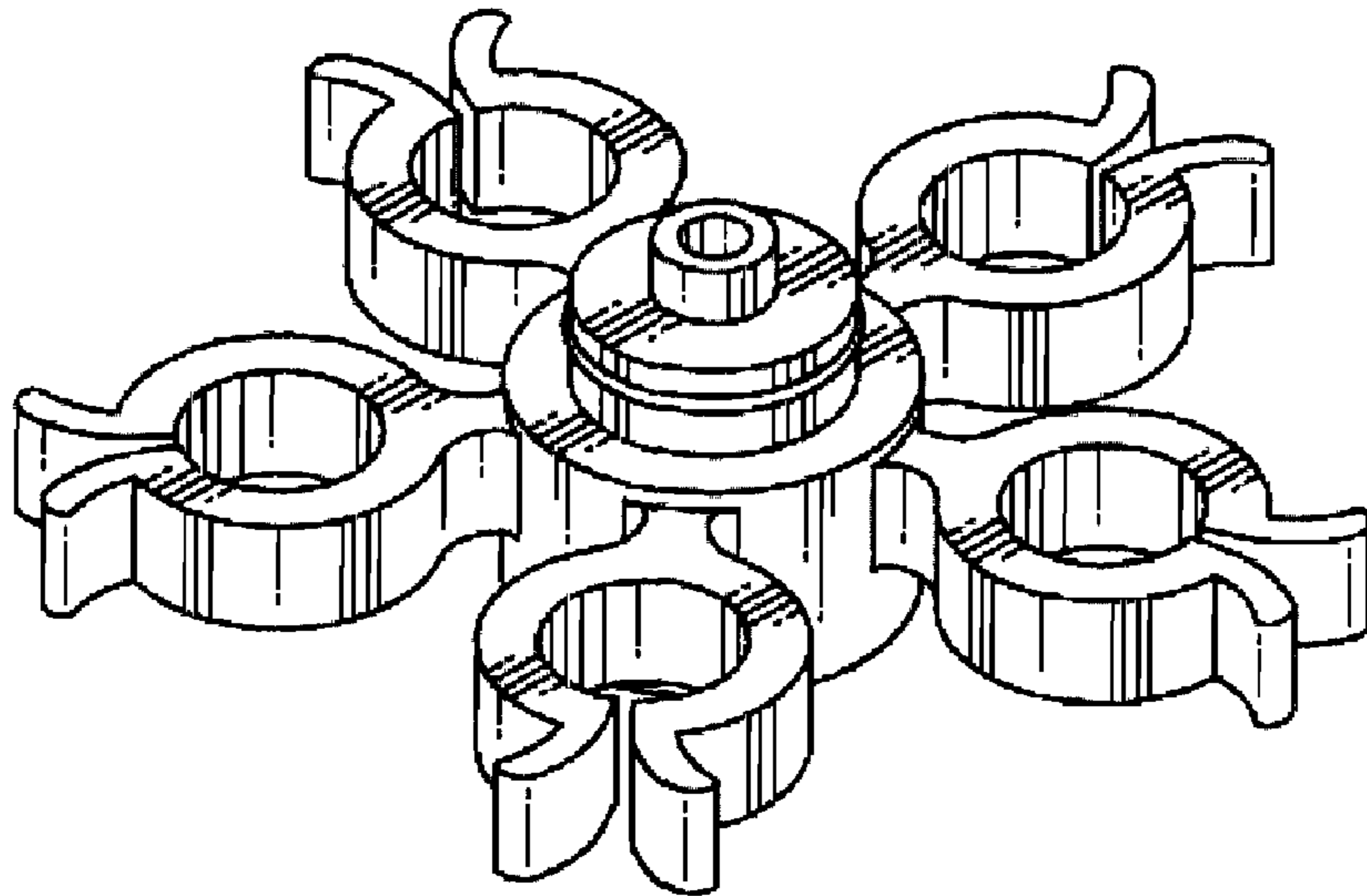


FIG. 9

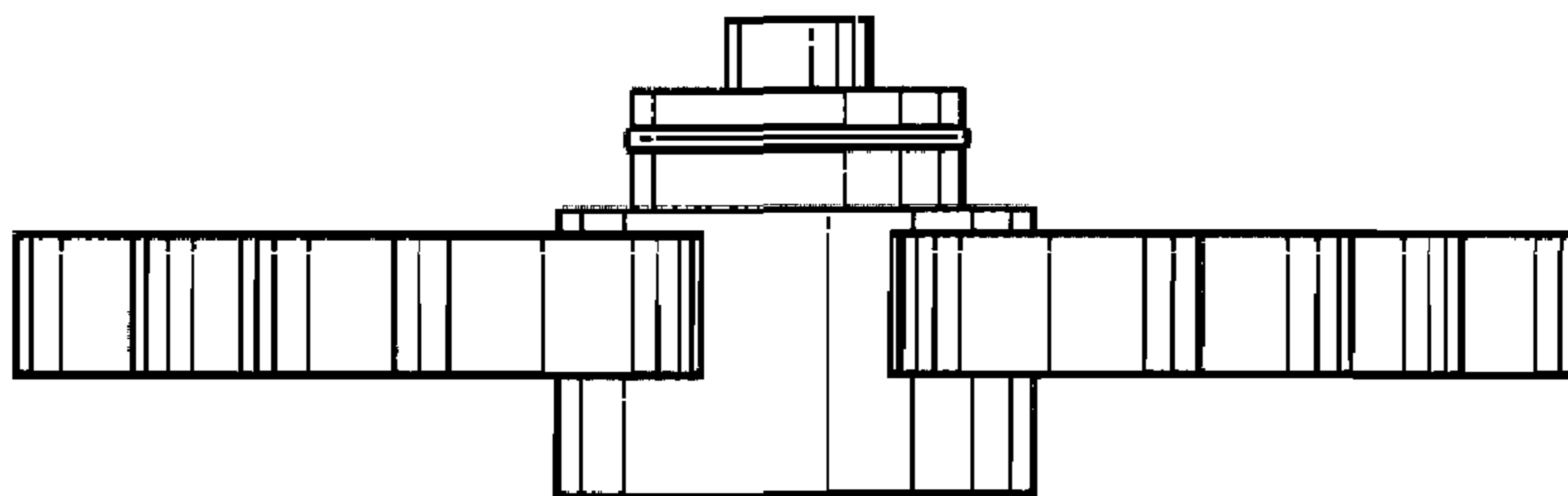


FIG. 10

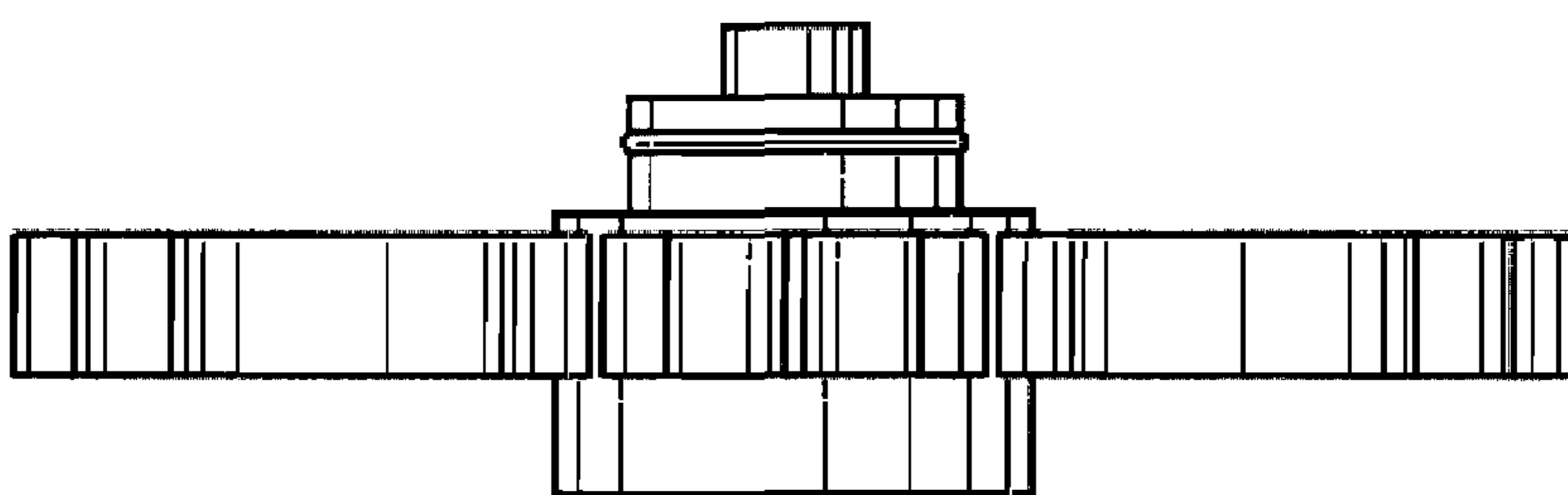


FIG. 11

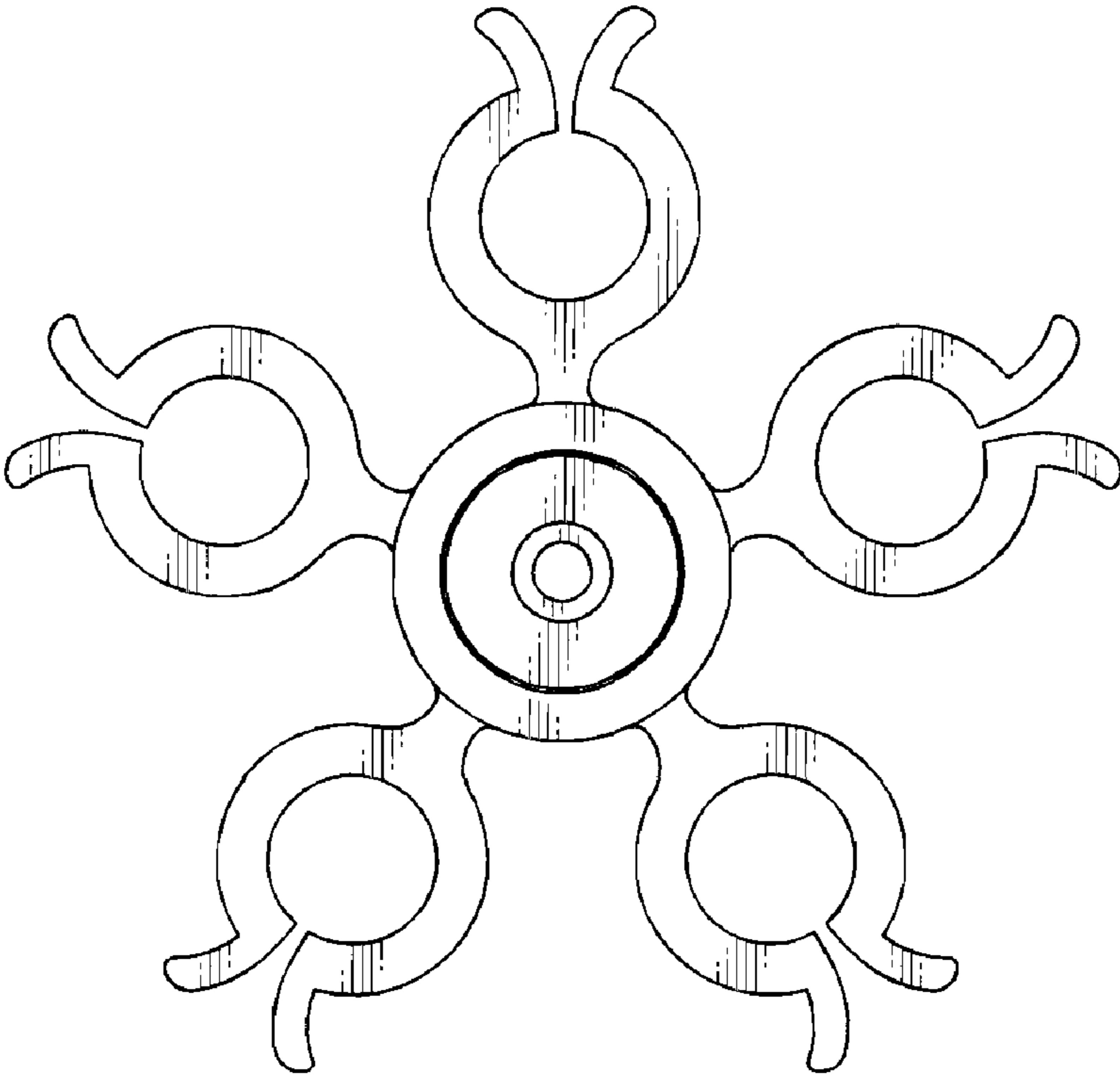


FIG. 12

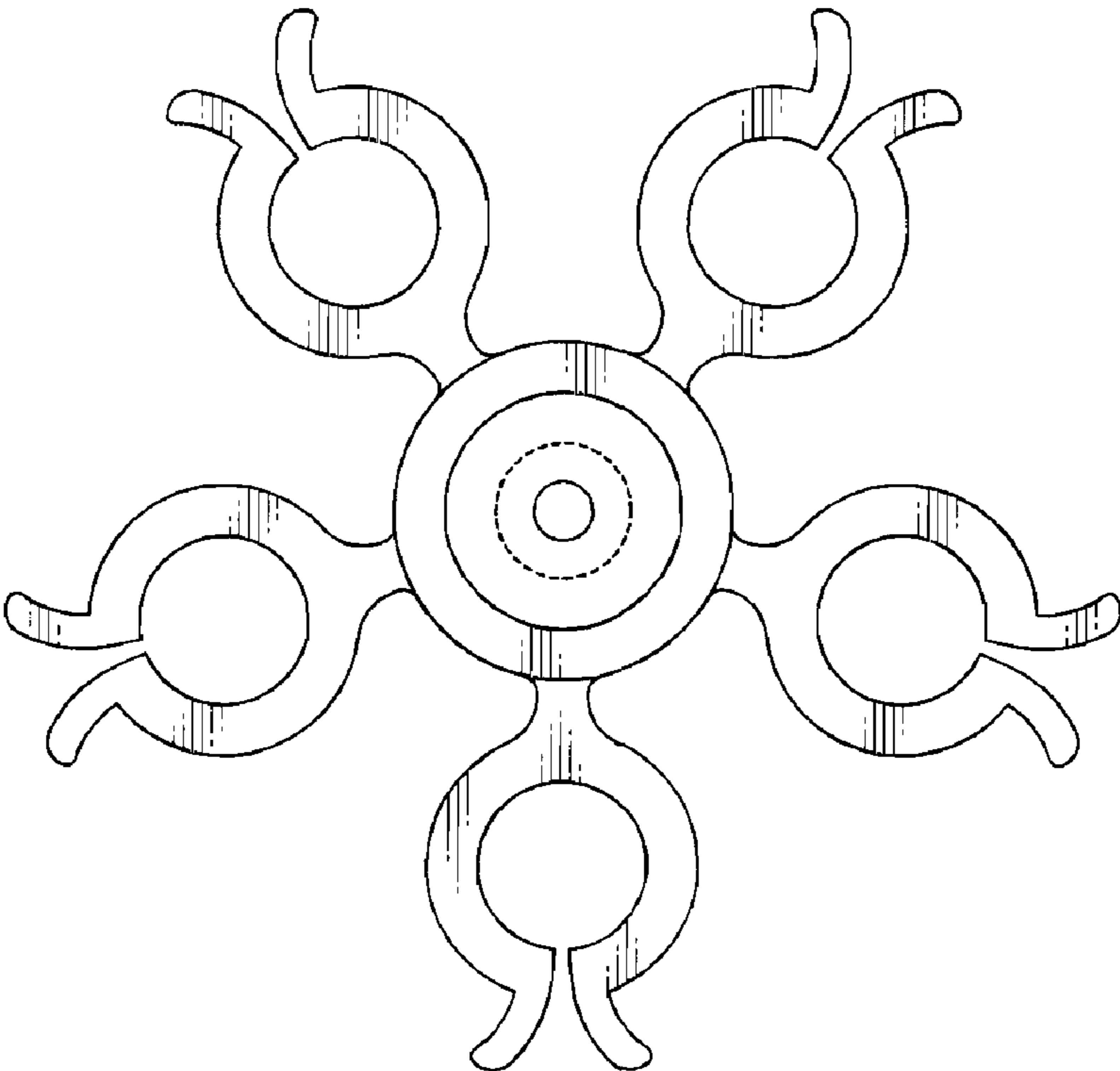


FIG.13

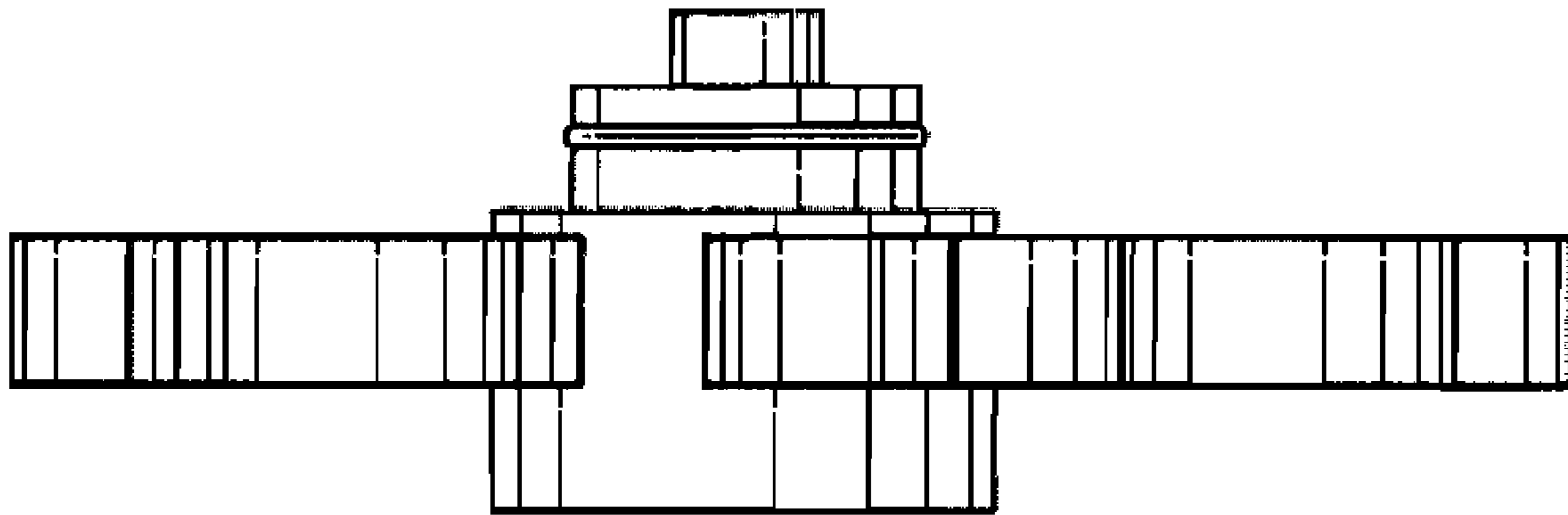


FIG.14

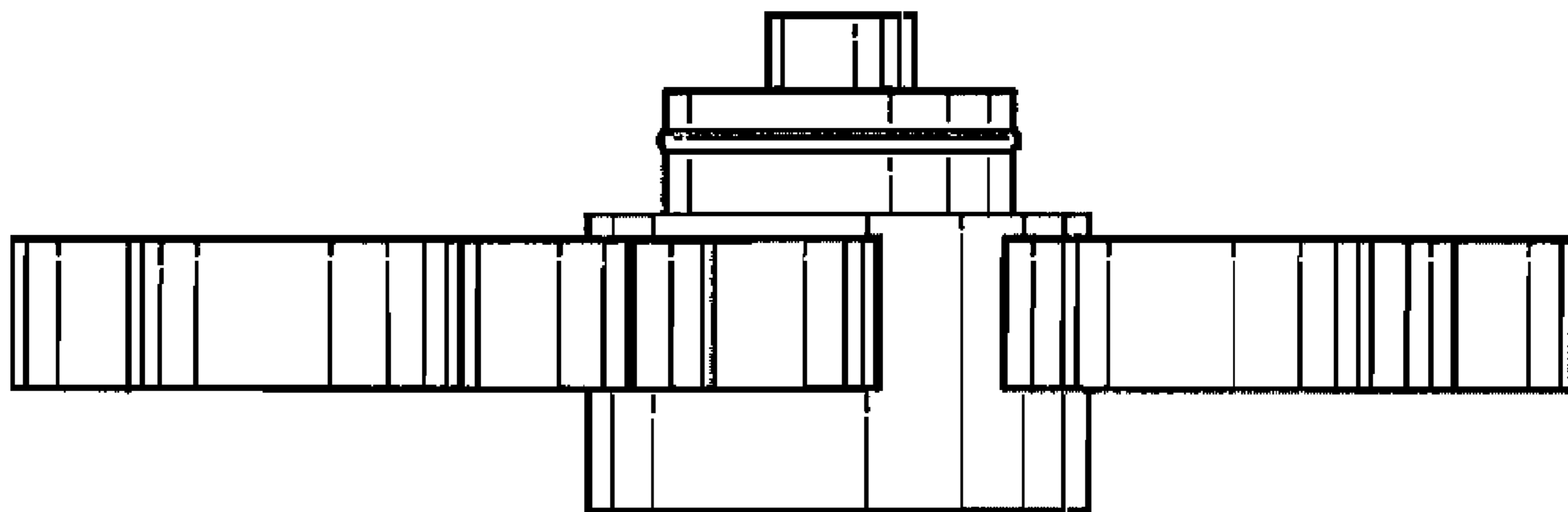


FIG. 15

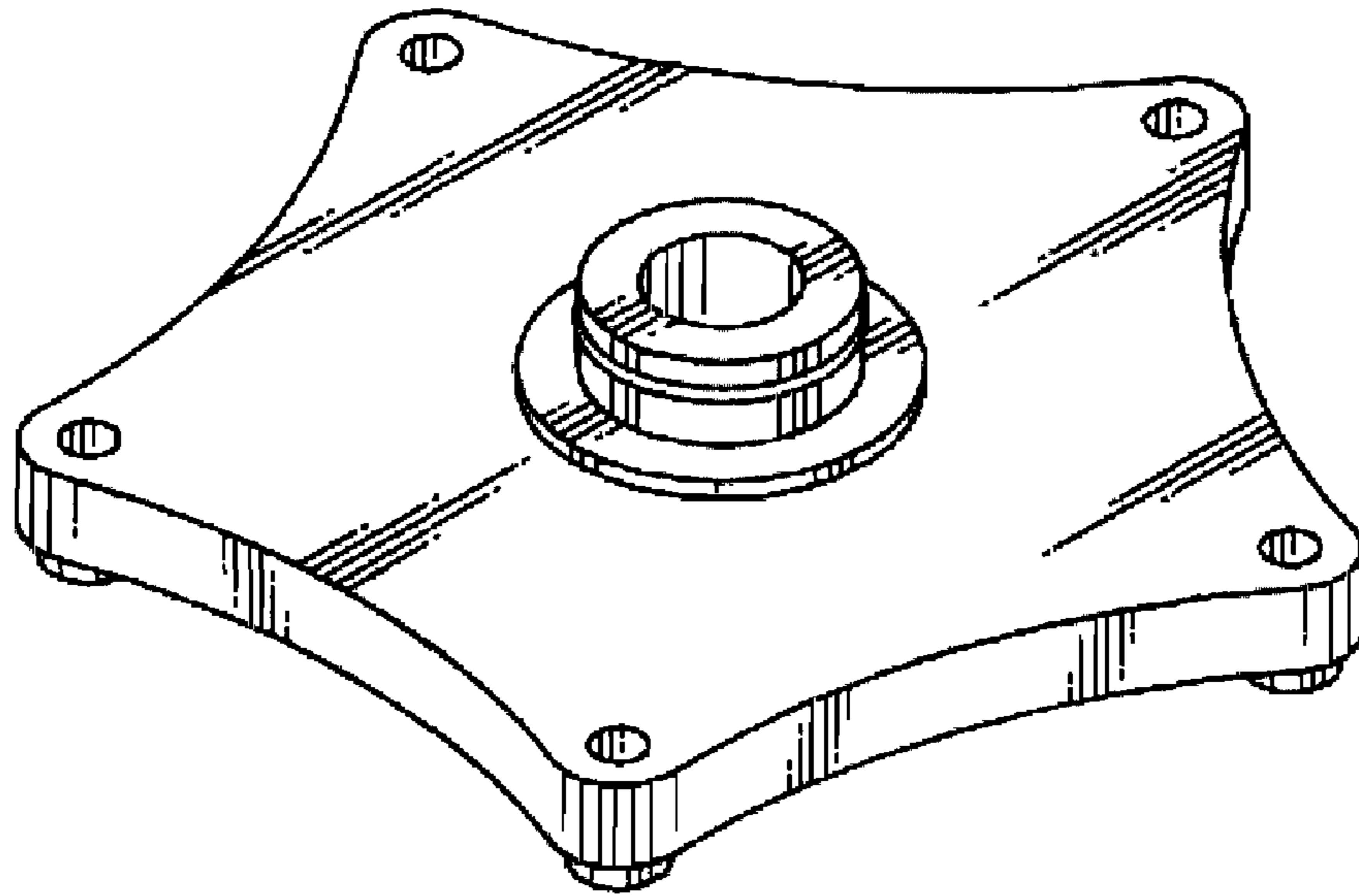


FIG. 16

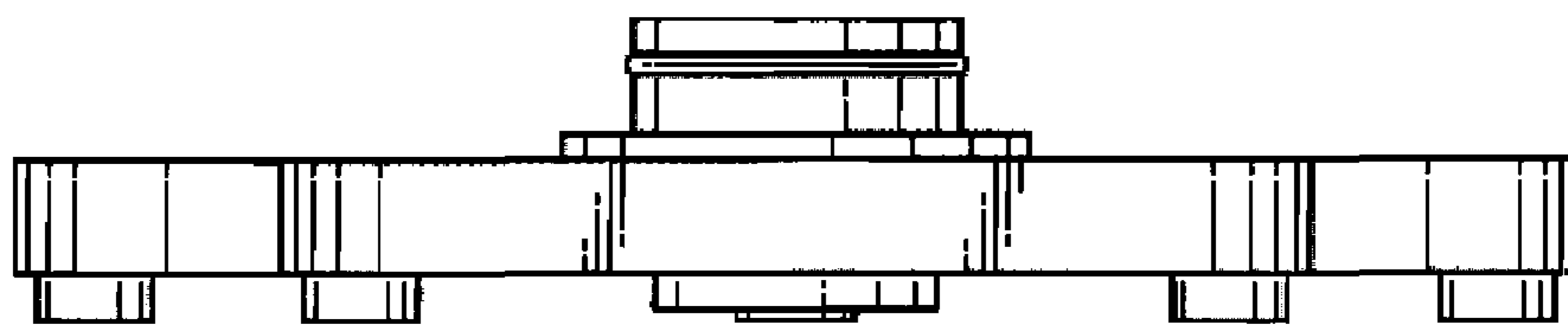


FIG. 17

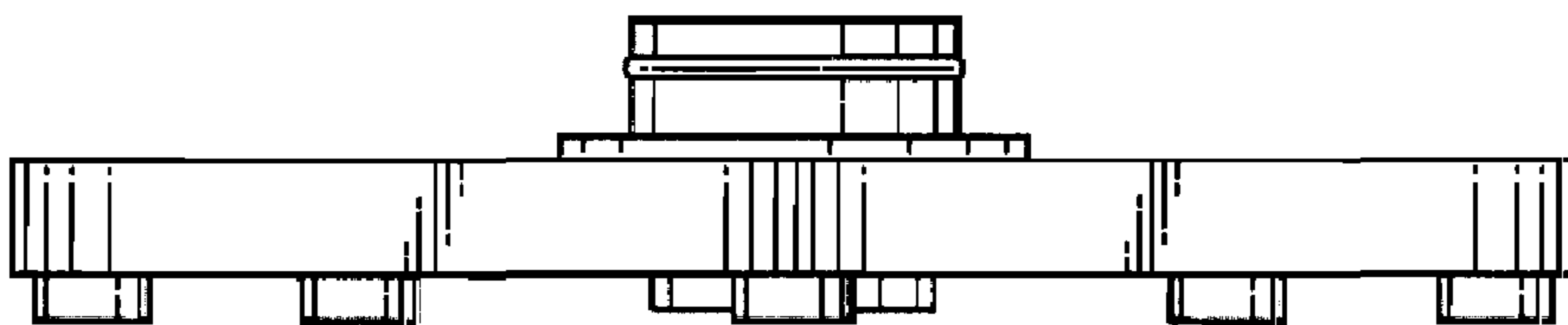


FIG. 18

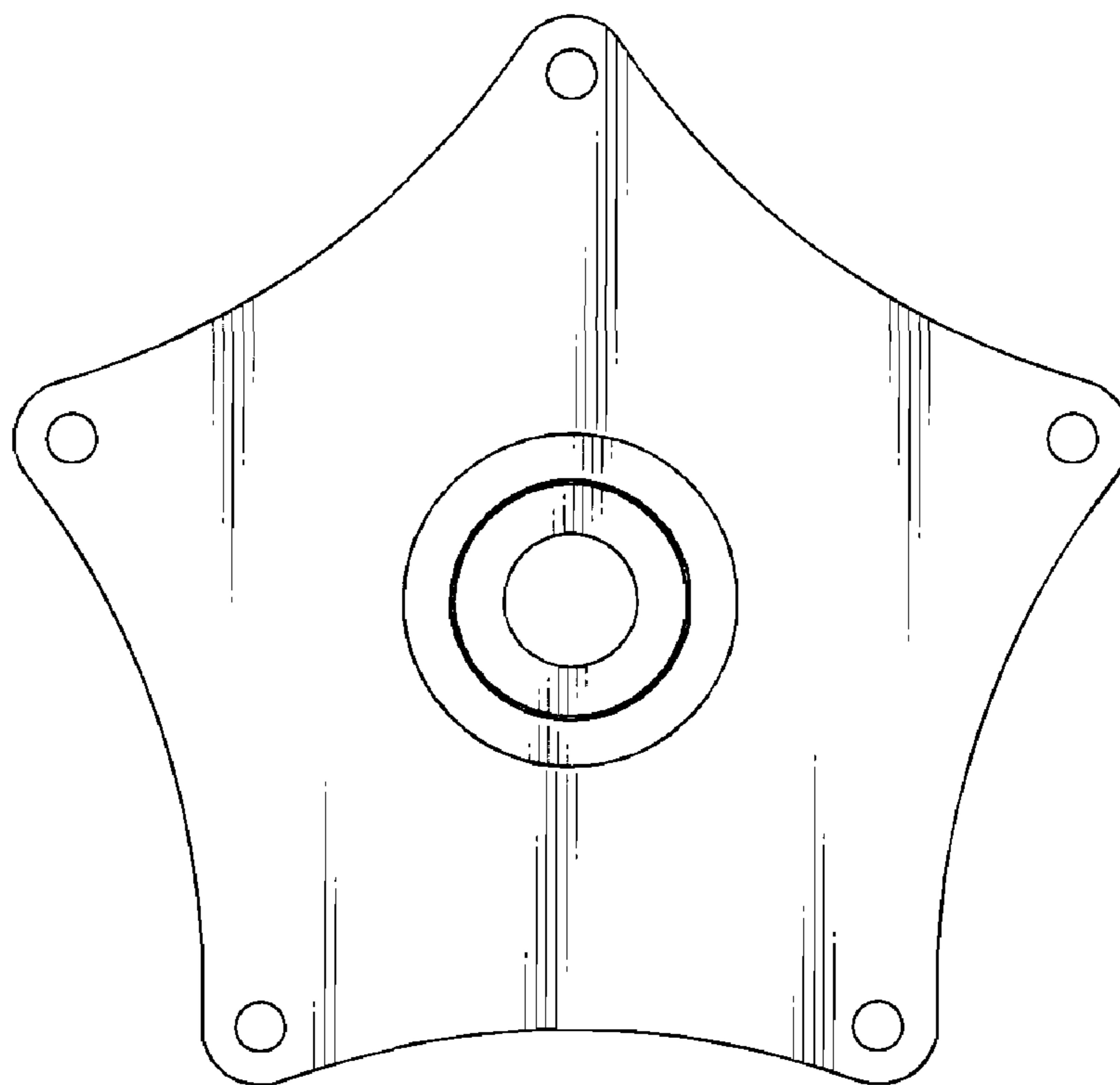


FIG. 19

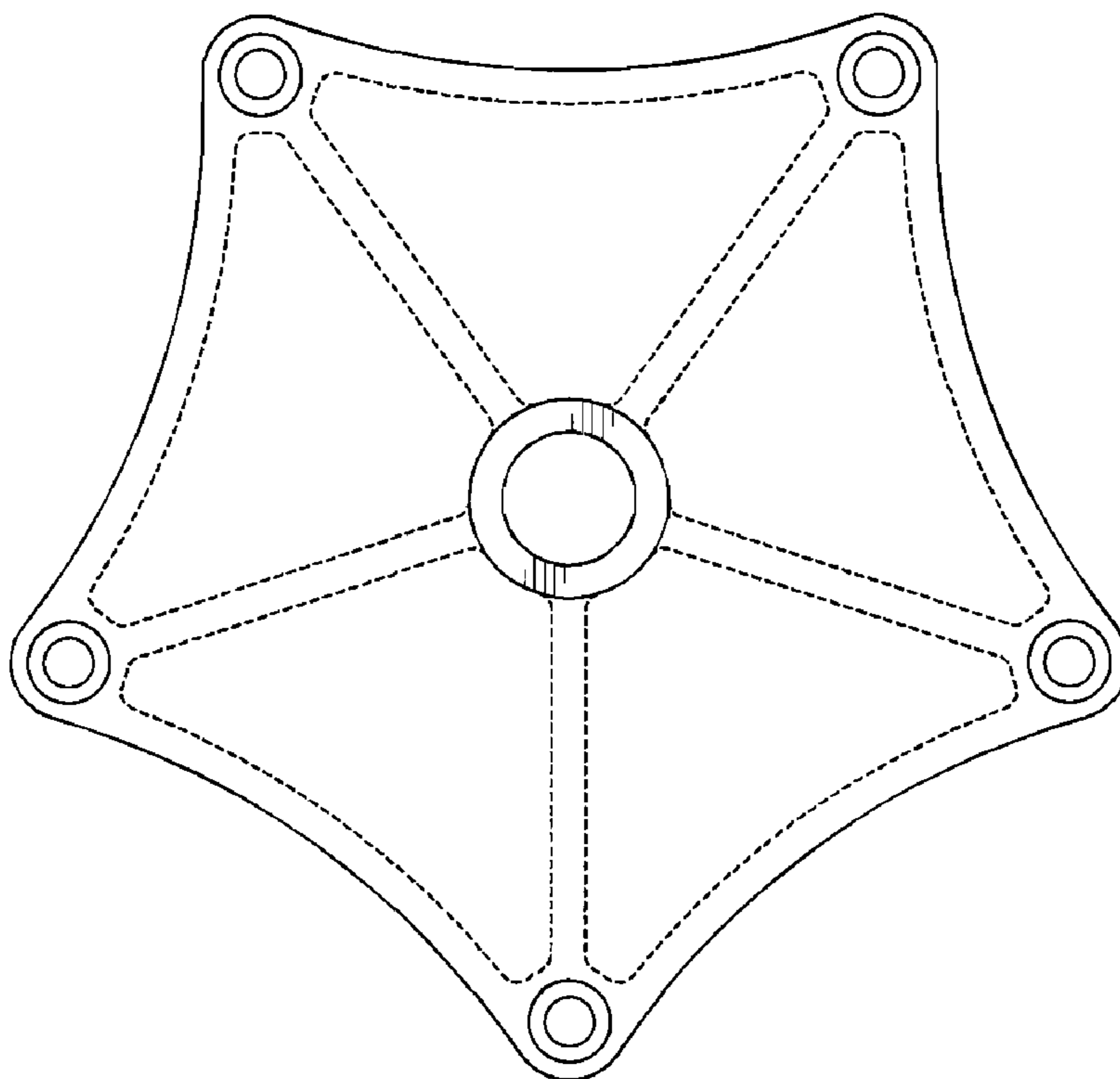


FIG. 20

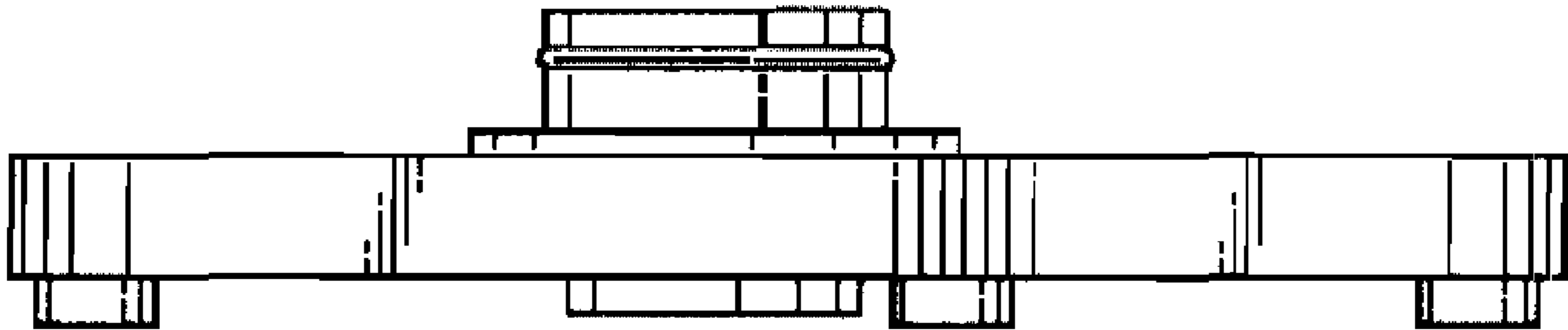


FIG. 21

