



US00D623846S

(12) **United States Design Patent**
Kahng

(10) **Patent No.:** **US D623,846 S**

(45) **Date of Patent:** **** Sep. 21, 2010**

(54) **UMBRELLA HANDLE SPIKE**

(76) Inventor: **David Kahng**, 310 W. 106th St., New York, NY (US) 10025

(**) Term: **14 Years**

(21) Appl. No.: **29/332,008**

(22) Filed: **Feb. 6, 2009**

(51) **LOC (9) Cl.** **03-03**

(52) **U.S. Cl.** **D3/10**

(58) **Field of Classification Search** D3/5,
D3/10, 12, 13, 16, 17, 6, 14; 135/15.1, 23,
135/20.1, 20.3, 25.31, 33.7, 39, 40, 25.01,
135/21, 16, 44, 98, 99; 248/145.6, 146, 156,
248/530, 508; D8/395

See application file for complete search history.

(56) **References Cited**

U.S. PATENT DOCUMENTS

5,305,770 A * 4/1994 DeMarco 135/26
D394,544 S * 5/1998 Tropiano D3/10

D464,190 S * 10/2002 Salahub et al. D3/10
D484,678 S * 1/2004 You D3/5
6,866,053 B2 * 3/2005 You 135/25.1
6,953,180 B1 * 10/2005 Ruvalcaba et al. 248/530
D593,315 S * 6/2009 Zemel D3/10

* cited by examiner

Primary Examiner—Doris Clark

(74) *Attorney, Agent, or Firm*—Millen, White, Zelano & Branigan, P.C.

(57) **CLAIM**

The ornamental design for an umbrella handle spike, as shown described.

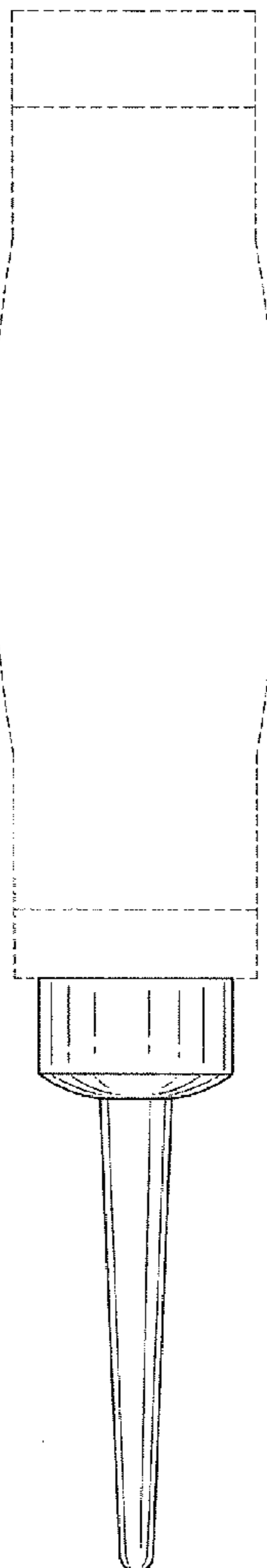
DESCRIPTION

FIG. 1 is a side view of the umbrella handle spike, the view from all sides being the same; and,

FIG. 2 is a bottom view of the umbrella spike.

The broken lines are for illustrative purposes only and form no part of the claimed design.

1 Claim, 1 Drawing Sheet



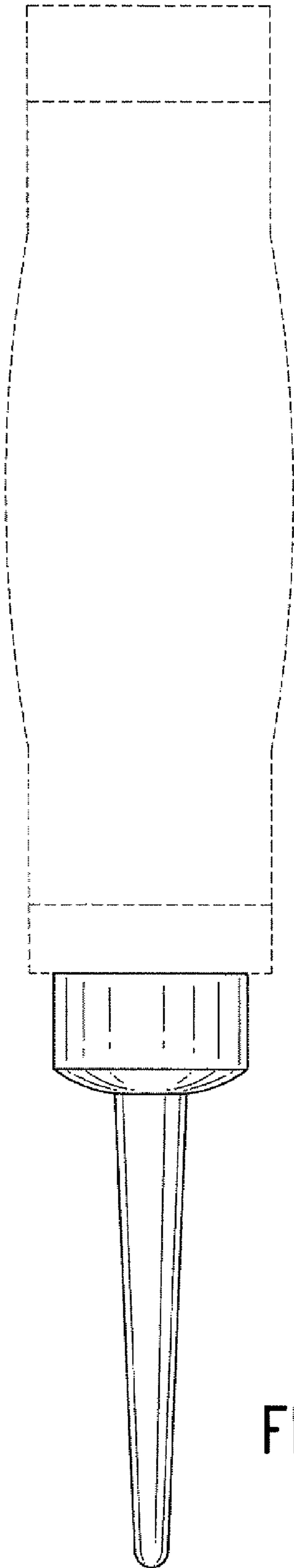


FIG. 1

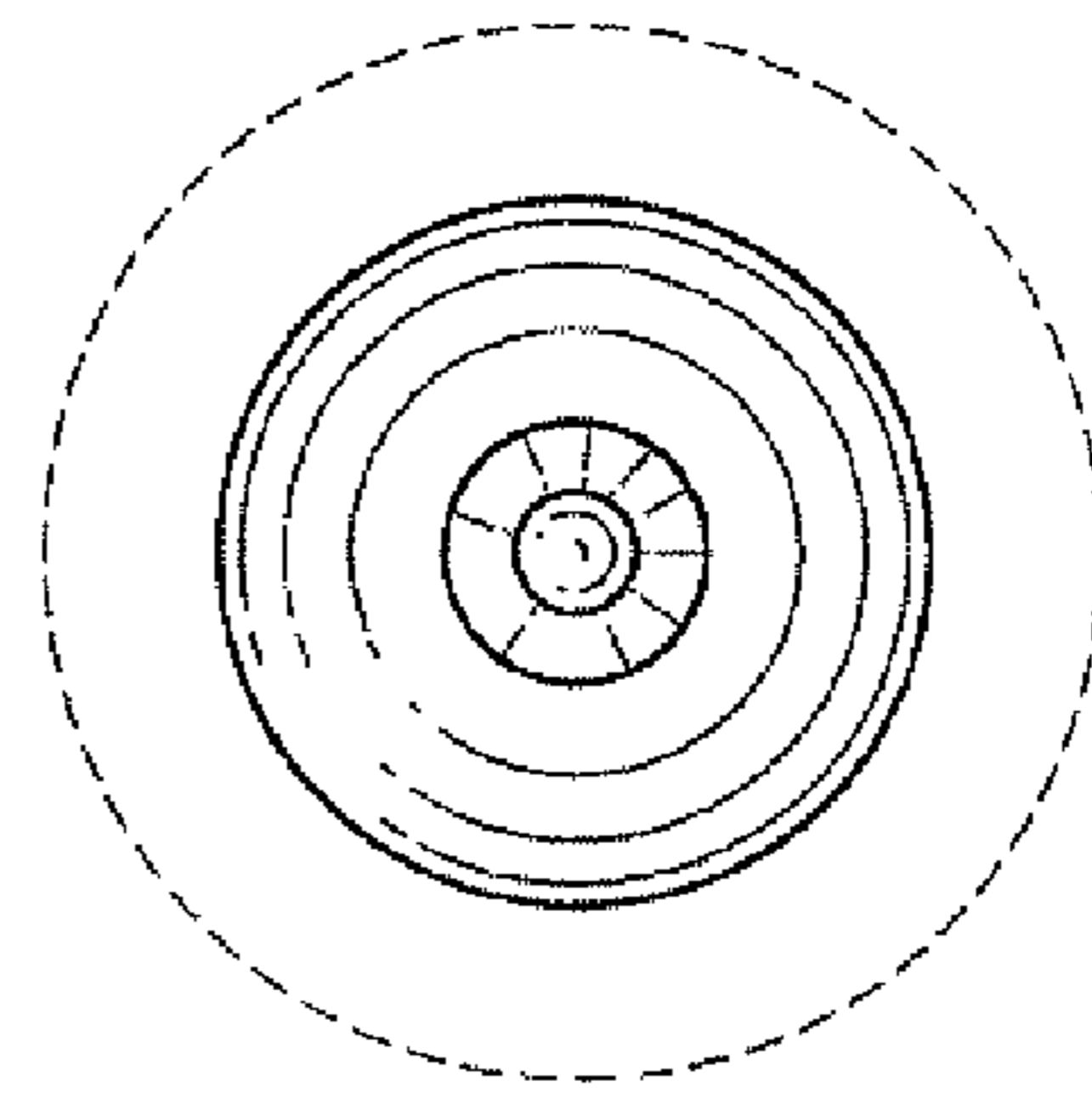


FIG. 2