



US00D623845S

(12) **United States Design Patent**
Lintott et al.

(10) **Patent No.:** **US D623,845 S**

(45) **Date of Patent:** **** Sep. 21, 2010**

(54) **UMBRELLA POLE HOLDING CONTAINER**

D485,743 S * 1/2004 Wilson, Sr. D8/354
7,185,868 B2 * 3/2007 Wang 248/422

(76) Inventors: **Susan Lintott**, 907 Adlena Dr.,
Fullerton, CA (US) 92833; **Joseph**
Reister, 907 Adlena Dr., Fullerton, CA
(US) 92833

* cited by examiner

Primary Examiner—Doris Clark

(74) *Attorney, Agent, or Firm*—Richard L. Mikesell

(**) Term: **14 Years**

(21) Appl. No.: **29/316,046**

(57) **CLAIM**

(22) Filed: **Aug. 20, 2009**

The ornamental design for an umbrella pole holding container, as shown and described.

(51) **LOC (9) Cl.** **03-03**

(52) **U.S. Cl.** **D3/10**

(58) **Field of Classification Search** D3/5,
D3/10, 12, 13, 16, 17; 135/15.1, 23, 20.1,
135/20.3, 25.31, 33.7, 39, 40, 25.01, 21,
135/16, 44; 248/158

See application file for complete search history.

DESCRIPTION

FIG. 1: Top left perspective view, half lid open; and,

FIG. 2: Top plan view, sides open, lids open.

The side not visible in FIG. 1 and bottom are plain and unadorned.

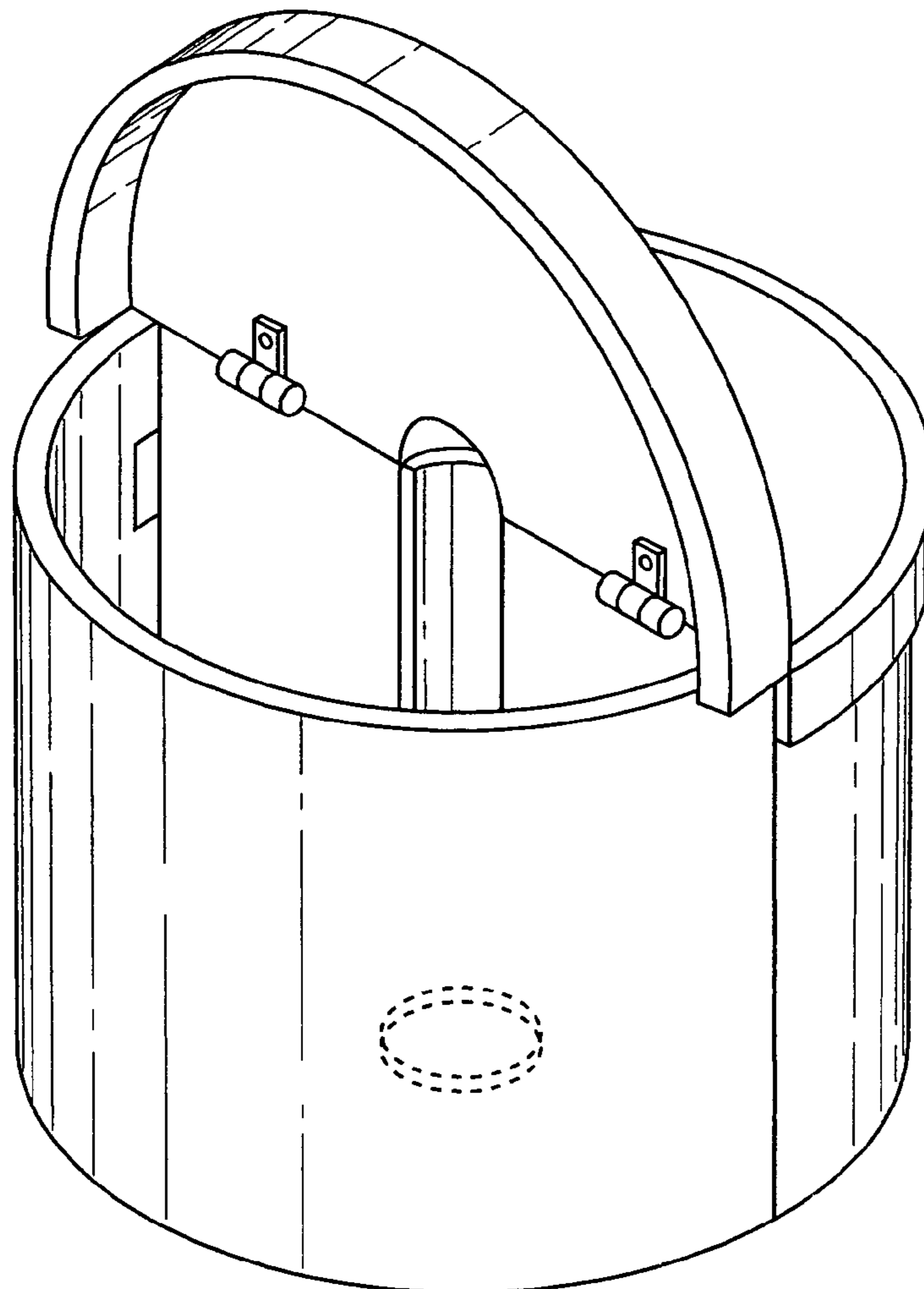
The broken lines are for illustrative purposes only and form no part of the claimed design.

(56) **References Cited**

U.S. PATENT DOCUMENTS

D314,663 S * 2/1991 Seidel et al. D3/10

1 Claim, 2 Drawing Sheets



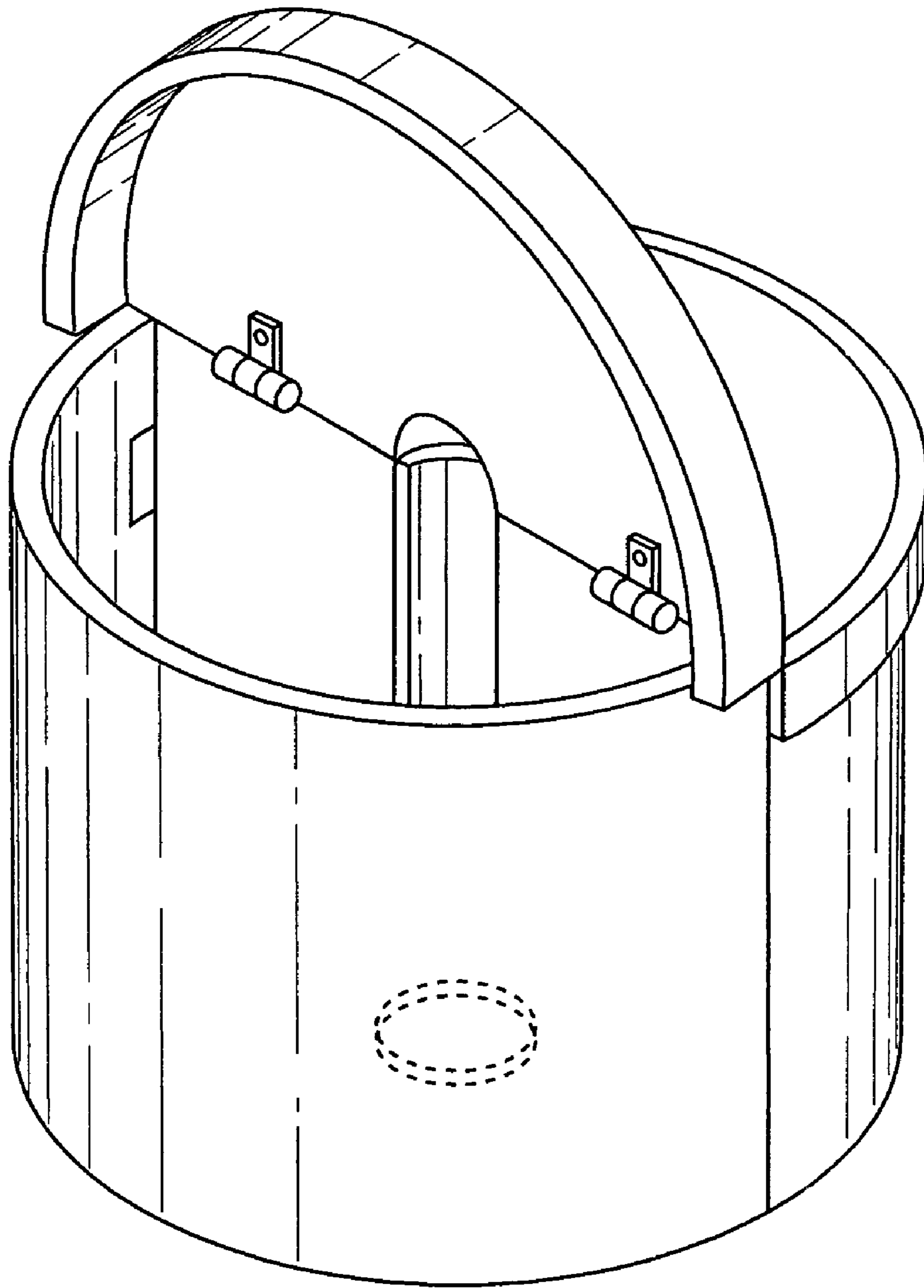


Fig. 1

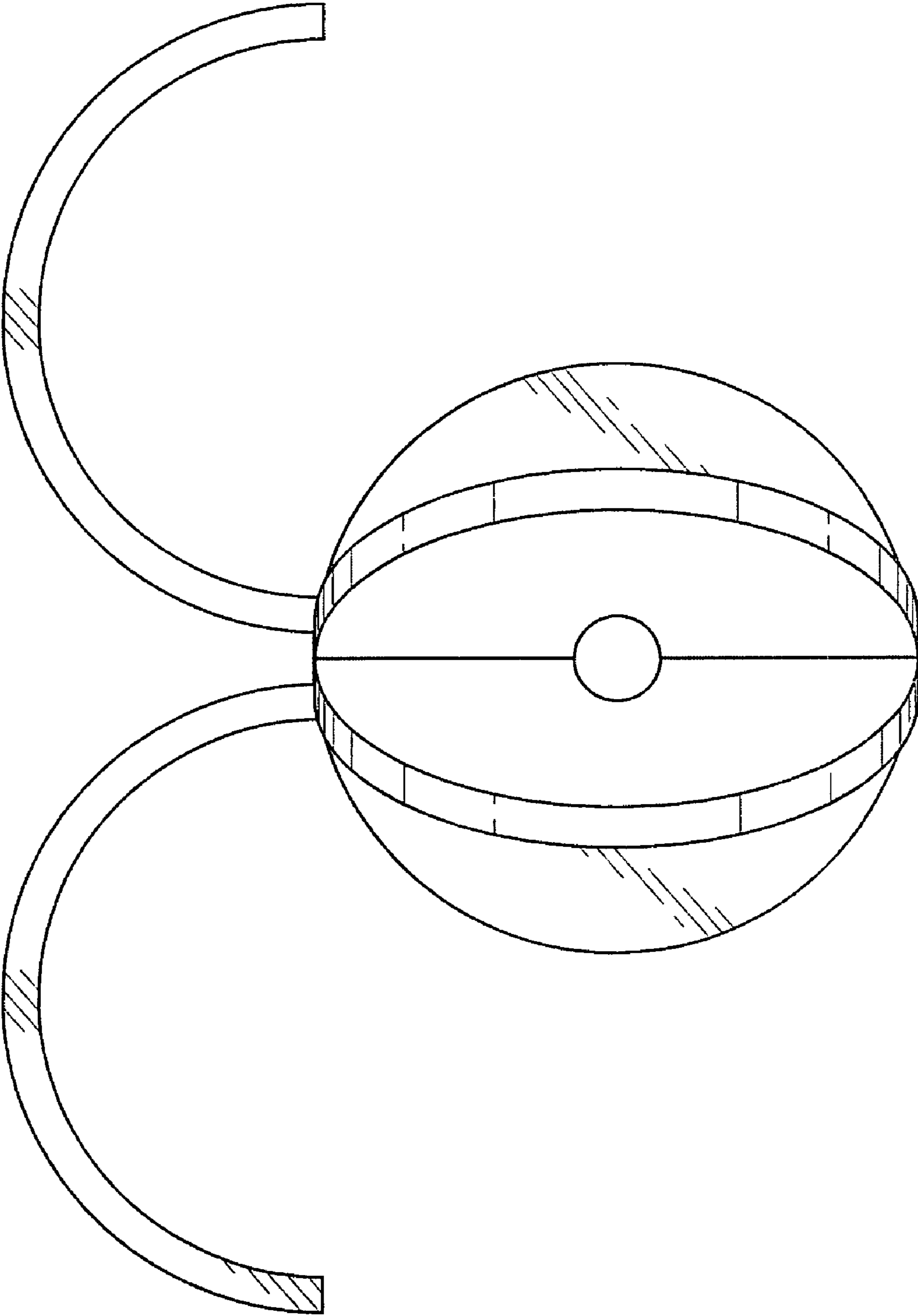


Fig. 2