



US00D623843S

(12) **United States Design Patent**
Caine

(10) **Patent No.:** **US D623,843 S**

(45) **Date of Patent:** **** Sep. 21, 2010**

(54) **SHOE UPPER**

(75) Inventor: **Andrew Caine**, Portland, OR (US)

(73) Assignee: **NIKE, Inc.**, Beaverton, OR (US)

(**) Term: **14 Years**

(21) Appl. No.: **29/365,967**

(22) Filed: **Jul. 16, 2010**

(51) **LOC (9) Cl.** **02-99**

(52) **U.S. Cl.** **D2/972**

(58) **Field of Classification Search** D2/896,
D2/902, 906–908, 943, 944, 969, 972–974;
36/45–49, 50.1, 77 M, 77 R, 83, 88, 113,
36/114, 126–131

See application file for complete search history.

(56) **References Cited**

U.S. PATENT DOCUMENTS

D377,412 S	1/1997	Longbottom et al.	
D415,886 S *	11/1999	Holmes	D2/972
D424,798 S	5/2000	McDowell	
D428,246 S	7/2000	McCourt	
D467,410 S *	12/2002	Mervar	D2/972
D492,103 S	6/2004	Galway	
D494,352 S	8/2004	Fullum	
D498,580 S	11/2004	Schambra	
D503,527 S *	4/2005	McDowell	D2/972
D514,789 S	2/2006	Robbins et al.	
D524,024 S	7/2006	Fallon	
D530,502 S	10/2006	Schambra	
D530,503 S	10/2006	Schambra	
D531,397 S *	11/2006	Smith	D2/972
D540,531 S *	4/2007	Lee	D2/972
D549,952 S *	9/2007	Hubbard	D2/972
D554,830 S	11/2007	Fullum	

D571,096 S *	6/2008	Hart	D2/972
D577,902 S	10/2008	Mermet	
D586,999 S	2/2009	Avar	
D587,000 S	2/2009	Avar	
D595,499 S *	7/2009	Dekovic	D2/972

OTHER PUBLICATIONS

Nike Footwear Catalog, Late Spring 2004, p. M81, Sep. 2003.
Nike Footwear Catalog, Fall 2004, p. M88, Nov. 2003.
Nike Footwear Catalog, Fall 2005, p. 87, Nov. 2004.
Nike Footwear Catalog, Fall 2006, p. 6, Nov. 2005.
Nike Footwear Catalog, Summer 2007, p. 52, Sep. 2006.
Nike Footwear Catalog, Spring 2010 Soccer, p. 8, May 2009.
Nike Footwear Catalog, Fall 2010 Performance, p. 36, Nov. 2009.
Nike Mercurial Vapor Superfly, Date unknown, but prior to the filing date of the present application.

* cited by examiner

Primary Examiner—Dominic Simone

(74) *Attorney, Agent, or Firm*—Banner & Witcoff, Ltd.

(57) **CLAIM**

The ornamental design for a shoe upper, as shown and described.

DESCRIPTION

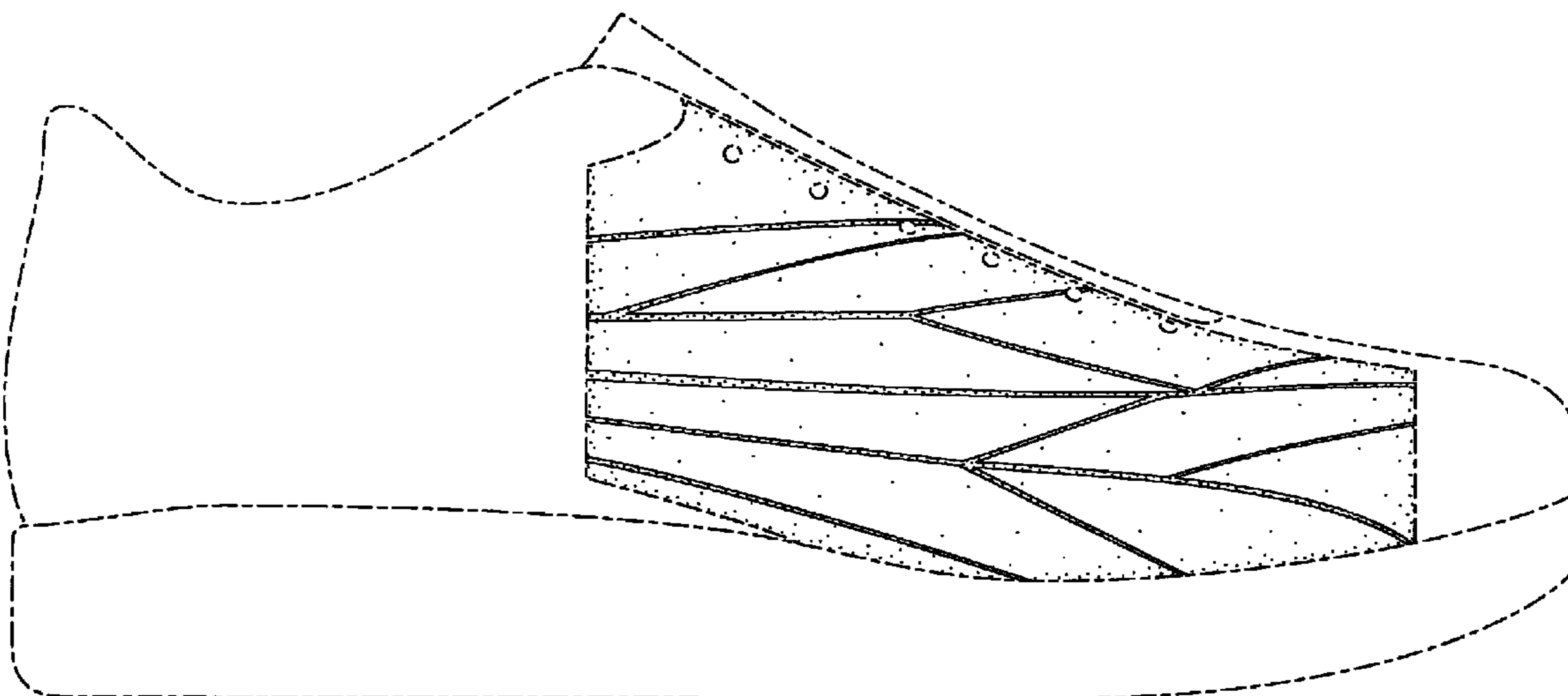
FIG. 1 is a front perspective view of a shoe upper showing my new design;

FIG. 2 is a side view thereof; and,

FIG. 3 is a rear perspective view thereof.

The broken lines immediately adjacent to the shaded area represent unclaimed boundaries of the design. The broken lines showing the six eyelet regions and the remainder of the shoe are for environmental purposes only and form no part of the claimed design.

1 Claim, 3 Drawing Sheets



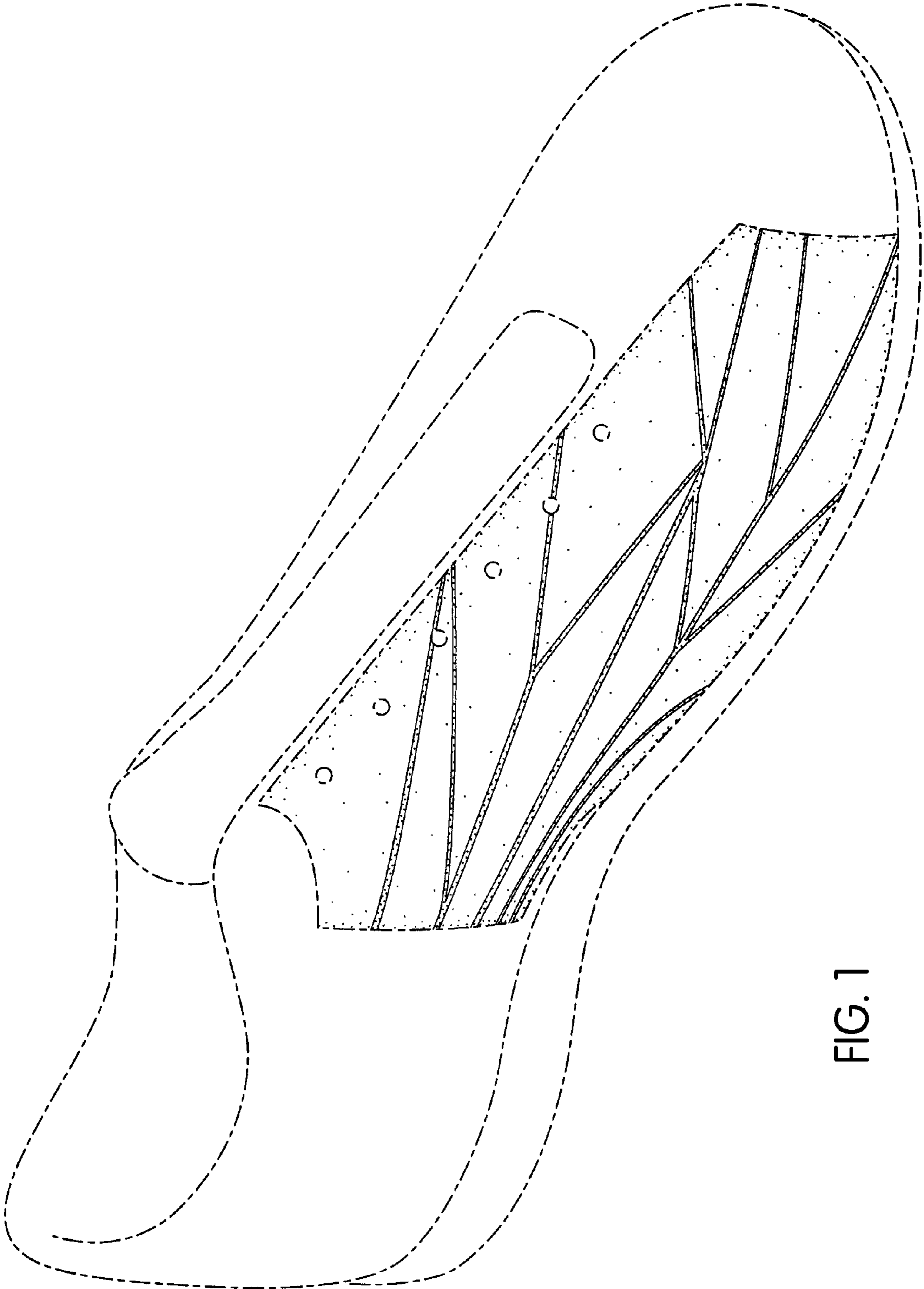


FIG. 1

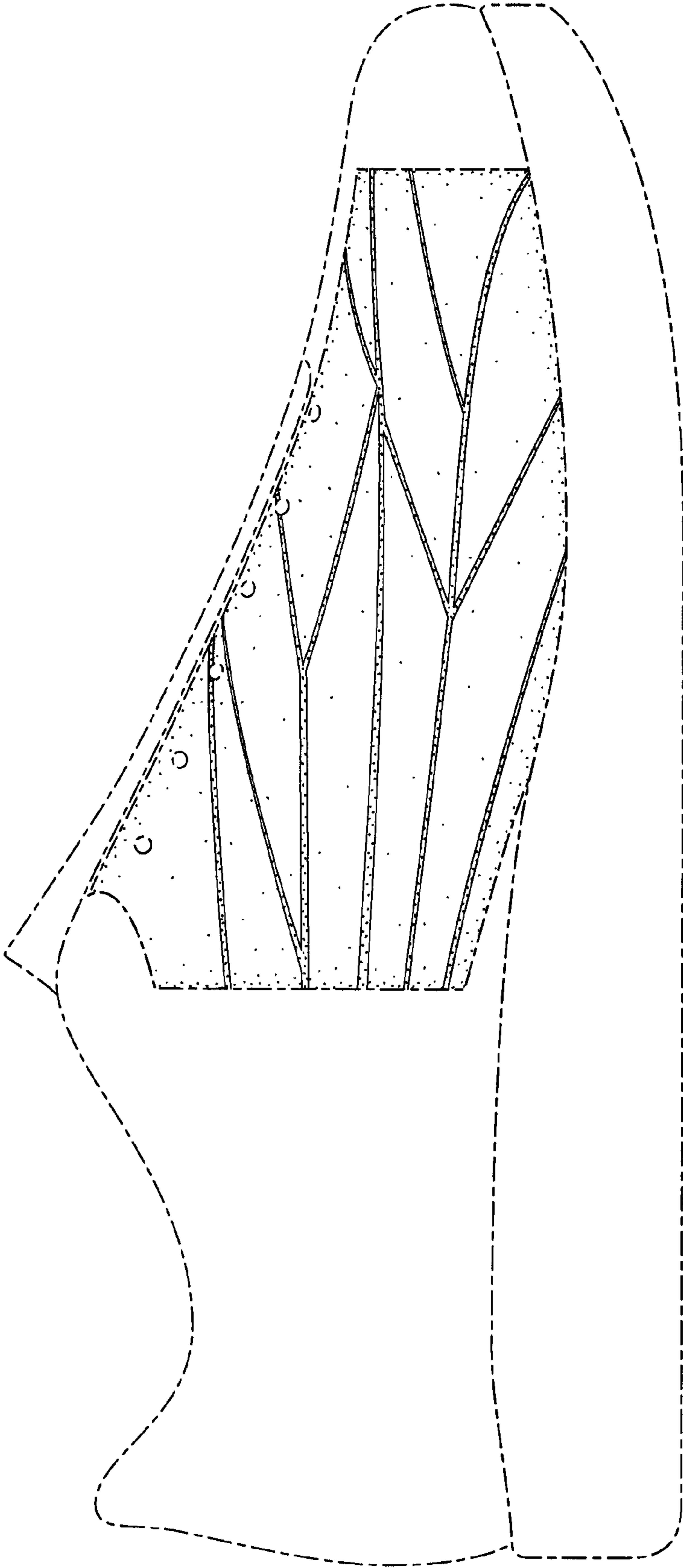


FIG. 2

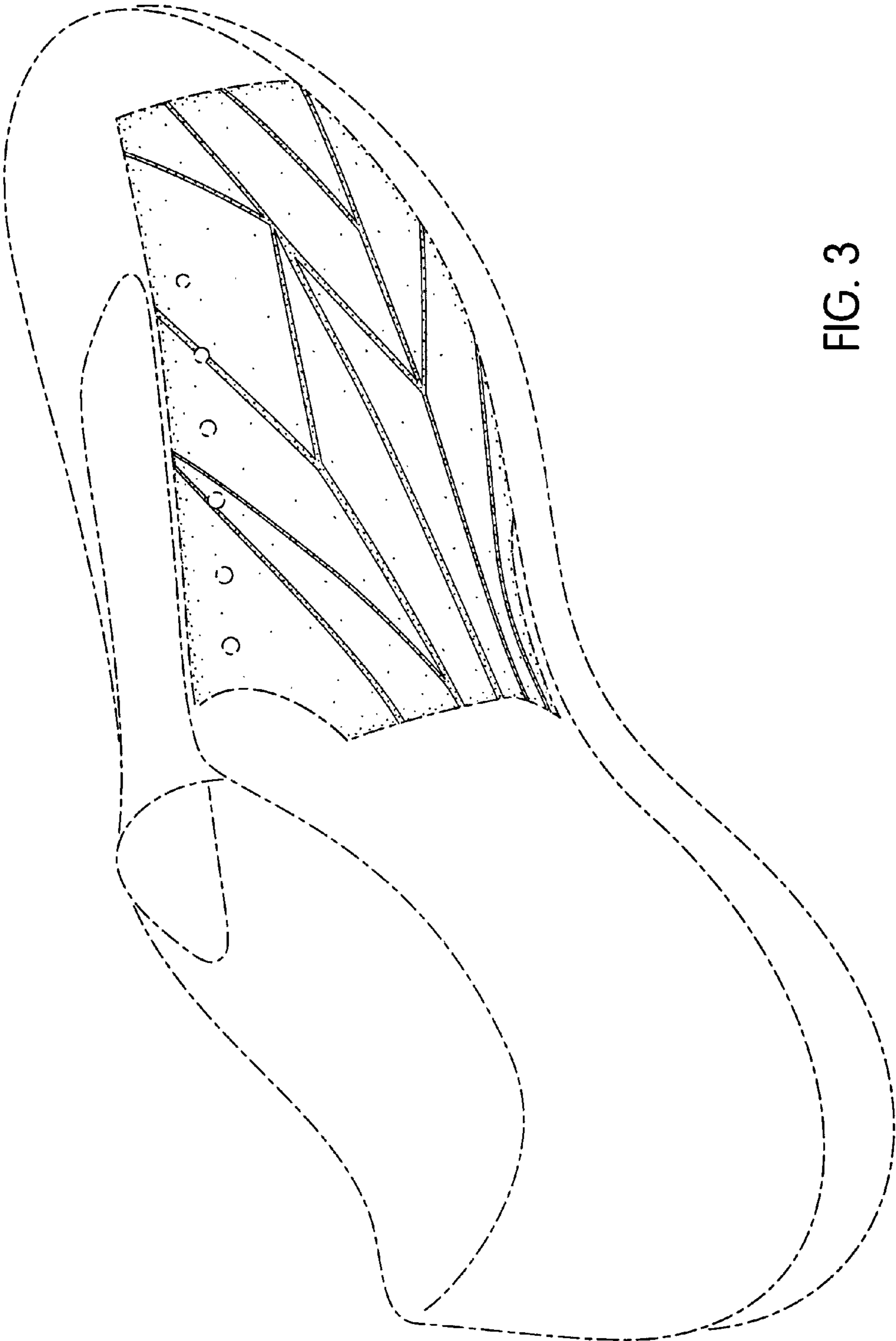


FIG. 3